

Body Repair

INTRODUCTION

BODY PANEL REPLACEMENT

- RADIATOR UPPER SUPPORT (ASSY)
- RADIATOR SIDE SUPPORT (ASSY)
- FRONT CROSSMEMBER (ASSY)
- RADIATOR SUPPORT (ASSY)
- FRONT FENDER APRON (ASSY)
- COWL TOP SIDE PANEL (ASSY)
- FRONT BODY PILLAR (CUT)
- CENTER BODY PILLAR (CUT)
- FRONT DOOR OUTER PANEL (ASSY)
- REAR DOOR OUTER PANEL (ASSY)
- ROCKER OUTER PANEL (CUT+P)
- ROCKER OUTER PANEL (CUT)
- ROCKER PANEL NO. 3 REINFORCEMENT (CUT)
- QUARTER PANEL (ASSY)
- QUARTER WHEEL HOUSING OUTER PANEL (ASSY)
- QUARTER PANEL FRONT EXTENSION (ASSY)
- BACK DOOR OPENING UPPER REINFORCEMENT (CUT)
- QUARTER PANEL REINFORCEMENT (CUT)
- ROOF SIDE INNER REAR PANEL (ASSY)
- BODY LOWER BACK PANEL (CUT)
- BODY LOWER BACK PANEL (ASSY)
- REAR FLOOR SIDE PANEL (ASSY)

m_bp_0004.pdf

1 / 2



BP-4

BODY PANEL REPLACEMENT

RADIATOR SUPPORT (ASSY)

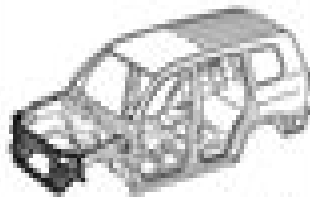


FIGURE 4

Symbol meaning

REMOVAL



Remove Weld Points

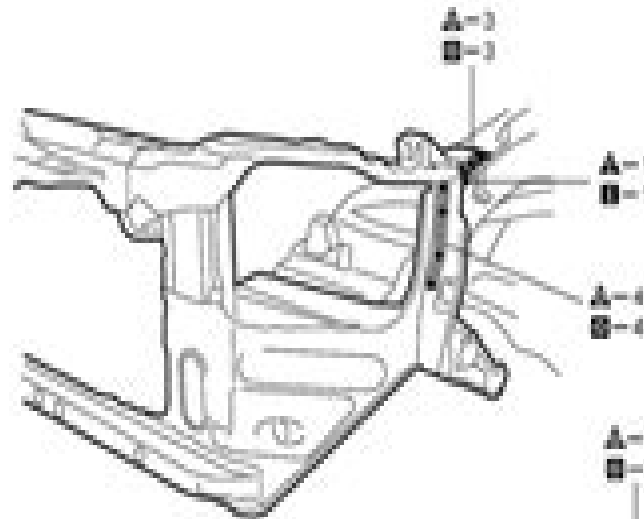
INSTALLATION



Plug Weld

FIGURE 4

REMOVAL-INSTALLATION



Land Cruiser 200 Manual

Clemens Wendtner



Land Cruiser 200 Manual:

Reviewing **Land Cruiser 200 Manual**: Unlocking the Spellbinding Force of Linguistics

In a fast-paced world fueled by information and interconnectivity, the spellbinding force of linguistics has acquired newfound prominence. Its capacity to evoke emotions, stimulate contemplation, and stimulate metamorphosis is really astonishing. Within the pages of "**Land Cruiser 200 Manual**," an enthralling opus penned by a highly acclaimed wordsmith, readers set about an immersive expedition to unravel the intricate significance of language and its indelible imprint on our lives. Throughout this assessment, we shall delve into the book's central motifs, appraise its distinctive narrative style, and gauge its overarching influence on the minds of its readers.

<https://staging.conocer.cide.edu/results/virtual-library/Documents/esp%20extrasensory%20perception.pdf>

Table of Contents Land Cruiser 200 Manual

1. Understanding the eBook Land Cruiser 200 Manual
 - The Rise of Digital Reading Land Cruiser 200 Manual
 - Advantages of eBooks Over Traditional Books
2. Identifying Land Cruiser 200 Manual
 - Exploring Different Genres
 - Considering Fiction vs. Non-Fiction
 - Determining Your Reading Goals
3. Choosing the Right eBook Platform
 - Popular eBook Platforms
 - Features to Look for in an Land Cruiser 200 Manual
 - User-Friendly Interface
4. Exploring eBook Recommendations from Land Cruiser 200 Manual
 - Personalized Recommendations
 - Land Cruiser 200 Manual User Reviews and Ratings
 - Land Cruiser 200 Manual and Bestseller Lists

-
5. Accessing Land Cruiser 200 Manual Free and Paid eBooks
 - Land Cruiser 200 Manual Public Domain eBooks
 - Land Cruiser 200 Manual eBook Subscription Services
 - Land Cruiser 200 Manual Budget-Friendly Options
 6. Navigating Land Cruiser 200 Manual eBook Formats
 - ePub, PDF, MOBI, and More
 - Land Cruiser 200 Manual Compatibility with Devices
 - Land Cruiser 200 Manual Enhanced eBook Features
 7. Enhancing Your Reading Experience
 - Adjustable Fonts and Text Sizes of Land Cruiser 200 Manual
 - Highlighting and Note-Taking Land Cruiser 200 Manual
 - Interactive Elements Land Cruiser 200 Manual
 8. Staying Engaged with Land Cruiser 200 Manual
 - Joining Online Reading Communities
 - Participating in Virtual Book Clubs
 - Following Authors and Publishers Land Cruiser 200 Manual
 9. Balancing eBooks and Physical Books Land Cruiser 200 Manual
 - Benefits of a Digital Library
 - Creating a Diverse Reading Collection Land Cruiser 200 Manual
 10. Overcoming Reading Challenges
 - Dealing with Digital Eye Strain
 - Minimizing Distractions
 - Managing Screen Time
 11. Cultivating a Reading Routine Land Cruiser 200 Manual
 - Setting Reading Goals Land Cruiser 200 Manual
 - Carving Out Dedicated Reading Time
 12. Sourcing Reliable Information of Land Cruiser 200 Manual
 - Fact-Checking eBook Content of Land Cruiser 200 Manual
 - Distinguishing Credible Sources
 13. Promoting Lifelong Learning

-
- Utilizing eBooks for Skill Development
 - Exploring Educational eBooks
14. Embracing eBook Trends
- Integration of Multimedia Elements
 - Interactive and Gamified eBooks

Land Cruiser 200 Manual Introduction

Free PDF Books and Manuals for Download: Unlocking Knowledge at Your Fingertips In today's fast-paced digital age, obtaining valuable knowledge has become easier than ever. Thanks to the internet, a vast array of books and manuals are now available for free download in PDF format. Whether you are a student, professional, or simply an avid reader, this treasure trove of downloadable resources offers a wealth of information, conveniently accessible anytime, anywhere. The advent of online libraries and platforms dedicated to sharing knowledge has revolutionized the way we consume information. No longer confined to physical libraries or bookstores, readers can now access an extensive collection of digital books and manuals with just a few clicks. These resources, available in PDF, Microsoft Word, and PowerPoint formats, cater to a wide range of interests, including literature, technology, science, history, and much more. One notable platform where you can explore and download free Land Cruiser 200 Manual PDF books and manuals is the internet's largest free library. Hosted online, this catalog compiles a vast assortment of documents, making it a veritable goldmine of knowledge. With its easy-to-use website interface and customizable PDF generator, this platform offers a user-friendly experience, allowing individuals to effortlessly navigate and access the information they seek. The availability of free PDF books and manuals on this platform demonstrates its commitment to democratizing education and empowering individuals with the tools needed to succeed in their chosen fields. It allows anyone, regardless of their background or financial limitations, to expand their horizons and gain insights from experts in various disciplines. One of the most significant advantages of downloading PDF books and manuals lies in their portability. Unlike physical copies, digital books can be stored and carried on a single device, such as a tablet or smartphone, saving valuable space and weight. This convenience makes it possible for readers to have their entire library at their fingertips, whether they are commuting, traveling, or simply enjoying a lazy afternoon at home. Additionally, digital files are easily searchable, enabling readers to locate specific information within seconds. With a few keystrokes, users can search for keywords, topics, or phrases, making research and finding relevant information a breeze. This efficiency saves time and effort, streamlining the learning process and allowing individuals to focus on extracting the information they need. Furthermore, the availability of free PDF books and manuals fosters a culture of continuous learning. By removing financial barriers, more people can access educational resources and pursue lifelong learning, contributing to personal

growth and professional development. This democratization of knowledge promotes intellectual curiosity and empowers individuals to become lifelong learners, promoting progress and innovation in various fields. It is worth noting that while accessing free Land Cruiser 200 Manual PDF books and manuals is convenient and cost-effective, it is vital to respect copyright laws and intellectual property rights. Platforms offering free downloads often operate within legal boundaries, ensuring that the materials they provide are either in the public domain or authorized for distribution. By adhering to copyright laws, users can enjoy the benefits of free access to knowledge while supporting the authors and publishers who make these resources available. In conclusion, the availability of Land Cruiser 200 Manual free PDF books and manuals for download has revolutionized the way we access and consume knowledge. With just a few clicks, individuals can explore a vast collection of resources across different disciplines, all free of charge. This accessibility empowers individuals to become lifelong learners, contributing to personal growth, professional development, and the advancement of society as a whole. So why not unlock a world of knowledge today? Start exploring the vast sea of free PDF books and manuals waiting to be discovered right at your fingertips.

FAQs About Land Cruiser 200 Manual Books

How do I know which eBook platform is the best for me? Finding the best eBook platform depends on your reading preferences and device compatibility. Research different platforms, read user reviews, and explore their features before making a choice. Are free eBooks of good quality? Yes, many reputable platforms offer high-quality free eBooks, including classics and public domain works. However, make sure to verify the source to ensure the eBook credibility. Can I read eBooks without an eReader? Absolutely! Most eBook platforms offer webbased readers or mobile apps that allow you to read eBooks on your computer, tablet, or smartphone. How do I avoid digital eye strain while reading eBooks? To prevent digital eye strain, take regular breaks, adjust the font size and background color, and ensure proper lighting while reading eBooks. What the advantage of interactive eBooks? Interactive eBooks incorporate multimedia elements, quizzes, and activities, enhancing the reader engagement and providing a more immersive learning experience. Land Cruiser 200 Manual is one of the best book in our library for free trial. We provide copy of Land Cruiser 200 Manual in digital format, so the resources that you find are reliable. There are also many Ebooks of related with Land Cruiser 200 Manual. Where to download Land Cruiser 200 Manual online for free? Are you looking for Land Cruiser 200 Manual PDF? This is definitely going to save you time and cash in something you should think about. If you trying to find then search around for online. Without a doubt there are numerous these available and many of them have the freedom. However without doubt you receive whatever you purchase. An alternate way to get ideas is always to check another Land Cruiser 200 Manual. This method for see exactly what may be

included and adopt these ideas to your book. This site will almost certainly help you save time and effort, money and stress. If you are looking for free books then you really should consider finding to assist you try this. Several of Land Cruiser 200 Manual are for sale to free while some are payable. If you arent sure if the books you would like to download works with for usage along with your computer, it is possible to download free trials. The free guides make it easy for someone to free access online library for download books to your device. You can get free download on free trial for lots of books categories. Our library is the biggest of these that have literally hundreds of thousands of different products categories represented. You will also see that there are specific sites catered to different product types or categories, brands or niches related with Land Cruiser 200 Manual. So depending on what exactly you are searching, you will be able to choose e books to suit your own need. Need to access completely for Campbell Biology Seventh Edition book? Access Ebook without any digging. And by having access to our ebook online or by storing it on your computer, you have convenient answers with Land Cruiser 200 Manual To get started finding Land Cruiser 200 Manual, you are right to find our website which has a comprehensive collection of books online. Our library is the biggest of these that have literally hundreds of thousands of different products represented. You will also see that there are specific sites catered to different categories or niches related with Land Cruiser 200 Manual So depending on what exactly you are searching, you will be able to choose ebook to suit your own need. Thank you for reading Land Cruiser 200 Manual. Maybe you have knowledge that, people have search numerous times for their favorite readings like this Land Cruiser 200 Manual, but end up in harmful downloads. Rather than reading a good book with a cup of coffee in the afternoon, instead they juggled with some harmful bugs inside their laptop. Land Cruiser 200 Manual is available in our book collection an online access to it is set as public so you can download it instantly. Our digital library spans in multiple locations, allowing you to get the most less latency time to download any of our books like this one. Merely said, Land Cruiser 200 Manual is universally compatible with any devices to read.

Find Land Cruiser 200 Manual :

esp extrasensory perception

[escape from purgatory something new for roman catholics and those who care about them](#)

[ess dynamic universe](#)

[esp in the bible](#)

essays on the economics of education

~~essay writing for high school students~~

[eshbachs handbook of engineering fundamentals](#)

~~espanol sigamos—teachers edition/ annotated~~

essays in accounting theory volume 2

eskimo summer

esras soups and salads

essential athletic training

essays in general relativity a festschrift for abraham taub

essential engineering equations

esopus number 4 spring 2005

Land Cruiser 200 Manual :

endocrine system ati questions answer these questions while - Aug 13 2022

web apr 10 2022 20 endocrine practice questions i teas 7 exam prep i how to get an advanced score on your exam i thetutor
geek 12 7k subscribers 21k views

endocrine system ati practice questions and answers - Jul 24 2023

web a triiodothyronine a nurse is reviewing the medical record of a client who has syndrome of inappropriate antidiuretic
hormone siadh which of the following laboratory findings

medical surgical endocrine ati practice quiz studocu - Jul 12 2022

web dec 15 2021 ati practice questions nr 325 exam 1 ati practice endocrine 1 a nurse is planning care for a client who has
cushing s syndrome due to chronic

ati pme the endocrine system test 4 0 flashcards - Mar 20 2023

web 1 weight yourself daily 2 report weakness of palpate 3 check blood pressure weigh yourself daily is correct
fludrocortisone a

endocrine system ati questions completed answer these - Apr 21 2023

web medicine ati pme the endocrine system test 4 0 5 0 10 reviews a nurse is caring for a client who is taking metformin and
is scheduled to undergo angiography using iodine

ati med surg endocrine practice quiz flashcards quizlet - Oct 15 2022

web a the uptake of lactate by the liver is compromised by the drug metformin client who have healthy renal function easily
excrete the excess however if renal function is impaired

ati the endocrine system test flashcards quizlet - Aug 25 2023

web 1 25 flashcards learn test match q chat created by tinsley merideth teacher terms in this set 25 when talking with a
patient who is about to begin eventide byetta therapy to treat type 2 diabetes mellitus the health care professional should

include

ati targeted med surg endocrine question answer rationale - Nov 04 2021

ati targeted med surg endocrine quiz ati stuvia us - Oct 03 2021

20 endocrine practice questions i teas 7 exam prep i how to - Jun 11 2022

web apr 11 2023 ati endocrine learning systems exam questions answers a nurse is assisting with the plan of care for a client who has cushing s syndrome due to a chronic

endocrine ati questions flashcards quizlet - Jun 23 2023

web 1 71 flashcards learn test match q chat created by sabercrombie2 terms in this set 71 hypotension bradypnea dysrhythmias cold intolerance and cool dry skin are

ati pharmacology endocrine system flashcards quizlet - Dec 17 2022

web 5 0 1 review a nurse is monitoring the client who has graves disease for the development of thyroid storm the nurse should report which of the following findings to the provider

ati rn medical surgical endocrine online practice 2019 - Feb 07 2022

web 1 25 flashcards learn test q chat created by evgeniya martin terms in this set 25 when talking with a patient who is about to begin eventide byetta therapy to treat type

ati endocrine practice ati complex endocrine - Nov 16 2022

web answer the thyroid gland is embedded in the parathyroid tissue answer the prime metabolic effect of cortisol is gluconeogenesis answer the beta cells are the

2020atiteas teastestprep practice test the endocrine - Mar 08 2022

web jul 18 2023 ati rn targeted medical surgical endocrine online practice 2019 questions with correct answers exam ati rn targeted medical surgical endocrine online

the endocrine system ati flashcards quizlet - Jan 18 2023

web medicine ati pharmacology endocrine system 5 0 2 reviews you are caring for a patient who is taking exenatide byetta to treat type 2 diabetes mellitus the patient

ati rn targeted medical surgical endocrine online practice - Jan 06 2022

web sep 25 2020 17 items 1 answers ati targeted med surg perioperative quiz 2 answers ati targeted med surg neurosensory musculoskeletal question answer

ati the endocrine system flashcards quizlet - Feb 19 2023

web the endocrine system ati flashcards quizlet science biology anatomy the endocrine system ati a patient who is taking metformin glucophage to treat type 2

endocrine test bank exam review questions with answers - Sep 14 2022

web medical surgical endocrine ati practice quiz medical surgical endocrine practice quiz ati a studocu medical surgical endocrine practice quiz on ati this includes the

ati endocrine practice test flashcards quizlet - May 22 2023

web answer these questions while doing endocrine pharmacology made easy 4 module what is the role of trh and tsh hormones in the body trh stimulates the anterior

ati the endocrine system test flashcards quizlet - Dec 05 2021

web sep 25 2020 17 items 1 answers ati targeted med surg perioperative quiz 2 answers ati targeted med surg neurosensory musculoskeletal question answer

ati endocrine learning systems exam questions answers - Apr 09 2022

web 2 ati rn adult medical surgical proctored exam 2019 a questions answers 3 ati rn adult medical surgical proctored exam 2019 questions answers 4 ati rn adult

nr 325 exam 1 ati practice endocrine questions and answers - May 10 2022

web intro 2020atiteas teastestprep practice test the endocrine system with answers and explanation betchai and kids world 2 54k subscribers 55 1 6k views 2 years

learning radiology recognizing the basics edition 4 - Jun 18 2022

web oct 26 2023 learning radiology learning radiology recognizing the basics 4th edition 4th edition of the best selling introductory textbook for radiology learning radiology recognizing the basics edition 4 additional chapter on ultrasound now in full color new chapter on interventional radiology new chapter on mammography

learning radiology recognizing the basics pdf - Apr 16 2022

web the leading introductory radiology text for medical students and others who are required to read and interpret common radiologic images learning radiology 4th edition stresses an easy to follow pattern recognition approach that teaches how to differentiate normal and abnormal images dr

learning radiology recognizing the basics amazon com - Nov 23 2022

web feb 27 2023 from the basics of patient safety dose reduction and radiation protection to the latest information on ultrasound mri and ct it provides a complete up to date introduction to radiology needed by today s students

learning radiology recognizing the basics google books - Aug 21 2022

web a must have for anyone who will be required to read and interpret common radiologic images learning radiology

recognizing the basics is an image filled practical and easy to read

[learning radiology 9780323878173 us elsevier health](#) - Jun 30 2023

web description dr william herring s learning radiology recognizing the basics 5th edition remains the leading introductory radiology text for medical students and others who are required to read and interpret common radiologic images

[learning radiology medical students](#) - May 18 2022

web oct 22 2023 an award winning radiologic teaching site for medical students and those starting out in radiology focusing on chest gi cardiac and musculoskeletal diseases containing hundreds of lectures quizzes hand out notes interactive material most commons lists and pictorial differential diagnoses

[learning radiology recognizing the basics with student](#) - Jul 20 2022

web apr 28 2011 learning radiology recognizing the basics 2nd edition is an image filled practical and clinical introduction to this integral part of the diagnostic process william herring md a skilled radiology teacher masterfully covers everything you need to know to effectively interpret medical images learn the latest on ultrasound mri ct and

[learning radiology recognizing the basics paperback](#) - Mar 16 2022

web feb 13 2023 dr william herring s learning radiology recognizing the basics 5th edition remains the leading introductory radiology text for medical students and others who are required to read and interpret common radiologic images

learning radiology recognizing the basics amazon com - May 30 2023

web may 9 2019 from the basics of patient safety dose reduction and radiation protection to the latest information on ultrasound mri and ct this concise user friendly text provides a complete up to date introduction to radiology needed by today s students

[learning radiology recognizing the basics google books](#) - Sep 21 2022

web apr 14 2011 learning radiology recognizing the basics 2nd edition is an image filled practical and clinical introduction to this integral part of the diagnostic process william herring md a skilled

learning radiology recognizing the basics herring william - Oct 23 2022

web learning radiology recognizing the basics by herring william publication date 2007 topics medical radiology study and teaching radiography methods diagnosis differential publisher philadelphia mosby elsevier collection inlibrary printdisabled internetarchivebooks contributor internet archive language english xi 307 pages 28 cm

[learning radiology recognizing the basics z library](#) - Feb 12 2022

web the leading introductory radiology text for medical students and others who are required to read and interpret common radiologic images learning radiology 4th edition stresses an easy to follow pattern recognition approach that teaches how to differentiate normal and abnormal images

learning radiology 5th edition elsevier - Sep 02 2023

web dec 2 2022 offer details description dr william herring s learning radiology recognizing the basics 5th edition remains the leading introductory radiology text for medical students and others who are required to read

learning radiology recognizing the basics google books - Aug 01 2023

web feb 2 2019 from the basics of patient safety dose reduction and radiation protection to the latest information on ultrasound mri and ct this concise user friendly text provides a complete up to date

learning radiology edition 5 by william herring md elsevier - Dec 25 2022

web description dr william herring s learning radiology recognizing the basics 5th edition remains the leading introductory radiology text for medical students and others who are required to read and interpret common radiologic images

learning radiology 9780323878173 elsevier health - Jan 26 2023

web dr william herring s learning radiology recognizing the basics 5th edition remains the leading introductory radiology text for medical students and others who are required to read and interpret common radiologic images using an easy to follow pattern

learningradiology - Oct 03 2023

web oct 22 2023 learning radiology recognizing the basics order the 4th edition of the best selling textbook learning radiology recognizing the basics containing new chapters on ultrasound interventional radiology and mammography as well as online material including videos and more order now

learning radiology recognizing the basics google books - Apr 28 2023

web from the basics of patient safety dose reduction and radiation protection to the latest information on ultrasound mri and ct this concise user friendly text provides a complete up to date introduction to radiology needed by today s students

learningradiology - Feb 24 2023

web oct 27 2023 learning radiology recognizing the basics in 2007 a greatly expanded and image rich fundamental textbook of radiology written by dr herring was published by elsevier mosby the best selling text was published in a 4th edition in may 2019 in both print and electronic formats with additional coverage of ultrasound

learning radiology 5th edition 9780323878173 - Mar 28 2023

web feb 13 2023 paperback dr william herring s learning radiology recognizing the basics 5th edition remains the leading introductory radiology text for medical students and others who are required to read and interpret common radiologic images

bauforschung wikipedia - Oct 19 2023

web der begriff bauforscher bezeichnet eine person die sich professionell und unter kenntnis anerkannter methoden mit

klassischer oder historischer bauforschung beschäftigt bauforscher sind in der regel architekten stadtplaner soziologen
bauphysiker kunsthistoriker und beratende ingenieure

klassische bauforschung ai classmonitor - Nov 08 2022

web klassische bauforschung 1 klassische bauforschung architettura pubblica e privata nell italia antica dimensions journal
of architectural knowledge a companion to greek art bauforschung und denkmalpflege 1 2017 wissenskulturen bedingungen
wissenschaftlicher innovation stadt architekturwissenschaft vom suffix zur agenda

baugeschichte wikipedia - Jun 15 2023

web gottfried gruben klassische bauforschung hirmer münchen 2007 isbn 978 3 7774 3085 0 alexander von kienlin eine
disziplin im umbruch die klassische bauforschung und das ideal noninvasiver feldarchäologie in tagungsband der koldewey
gesellschaft 2015 s 36 44

klassische bauforschung by gottfried gruben alibris - May 02 2022

web buy klassische bauforschung by gottfried gruben online at alibris we have new and used copies available in 1 editions
starting at 24 75 shop now

bauforschung und baugeschichte universität bamberg - Jan 10 2023

web jun 30 2023 bauforschung und baugeschichte beschäftigen sich mit der dokumentation analyse und interpretation von
bauwerken ziel ist es ein umfassendes verständnis für die räumlichen konstruktiven und sonstigen zusammenhänge am
gebäude seine entstehungsbedingungen und seine veränderungs und entwicklungsgeschichte

structural assessment of ancient building components the temple - Feb 28 2022

web oxford oxbow books the artemision can probably only be achieved by inspecting once more what remains of its gruben g
1996 die entstehung des griechischen foundations in fact an archaeological re tempels in klassische bauforschung g gruben
2007 evaluation of the site now seems imperative 66 109

klassische bauforschung by gottfried gruben goodreads - Mar 12 2023

web jan 1 2007 gottfried gruben considered himself a historian who through the methods of architectural history treated
the monument itself as a source paying special attention to questions of religion and art which are defining factors of greek
temples

building the classical world bauforschung as a researchgate - Feb 11 2023

web jun 23 2022 request pdf building the classical world bauforschung as a contemporary approach this multiauthor volume
brings together 13 chapters examining various aspects of structure and construction in

historische bauforschung studieren 3 studiengänge im - Jun 03 2022

web historische bauforschung und denkmalpflege m sc access time 4 semester 0 0 0 bewertungen tune filter sort beliebtheit

sortieren nach beliebtheit meistbewertet a z studiengänge filtern clear hochschulstandort eingrenzen land ort oder plz eingeben radius wählen hochschultyp

archéologie du bâti aujourd'hui et demain bauforschung - Oct 07 2022

web 2 summarising how bauforschung has traditionally been understood in germany is a necessary preamble its roots are generally seen in the archäologische bauforschung i e research on built structures that are the subject of excavation and that may be at least partly destroyed1

klassische bauforschung december 30 2006 edition open - Sep 06 2022

web dec 30 2006 klassische bauforschung by gottfried gruben december 30 2006 hirmer verlag gmbh edition paperback in german deutsch

klassische bauforschung worldcat org - Jul 04 2022

web notes bibliogr bibliogr des oeuvres de g gruben et des sources more information notice et cote du catalogue de la bibliothèque nationale de france

[klassische bauforschung worldcat org](#) - Aug 05 2022

web worldcat is the world s largest library catalog helping you find library materials online

introduction bauforschung as a contemporary approach - Jul 16 2023

web the introductory chapter defines the scope of the work provides a historiographical sketch of bauforschung as a discipline and sets out different manifestations of this practice it shows that the scientific study of historical buildings was always characterized by the combination of structural analysis design questions and historical

klassische bauforschung german edition gruben gottfried - Dec 09 2022

web dec 1 2007 klassische bauforschung german edition gruben gottfried on amazon com free shipping on qualifying offers klassische bauforschung german edition

historische bauforschung alle studienorte im Überblick - Apr 01 2022

web du suchst nach passenden studienorten wo du historische bauforschung studieren kannst wir zeigen dir alle städte im praktischen Überblick

klassische bauforschung gottfried gruben google books - Apr 13 2023

web gottfried gruben considered himself a historian who through the methods of architectural history treated the monument itself as a source paying special attention to questions of religion and art which are defining factors of greek temples apart from thorough and detailed research and interdisciplinary discussion gruben always considered the

klassische bauforschung bryn mawr classical review - Sep 18 2023

web jul 12 2009 contents vorwort die rolle des architekten in der geschichte klassische bauforschung die entstehung des

griechischen tempels die sphinx säule von aigina griechische un ordnungen kykladische architektur anfänge des
monumentalbaus auf naxos die inselionische ordnung weitgespannte marmordecken in der griechischen
building the classical world bauforschung as a contemporary - May 14 2023

web this multiauthor volume presents thirteen case studies that showcase the scientific analytical and often archaeological
study of historic buildings that is known in german as bauforschung

free klassische bauforschung - Aug 17 2023

web klassische bauforschung zur bauforschung über spätmittelalter und frühe neuzeit aug 01 2020 bauforschung in
quedlinburg und der harzregion mar 08 2021 klassische bauforschung sep 25 2022 gottfried gruben considered himself a
historian who through the methods of architectural history