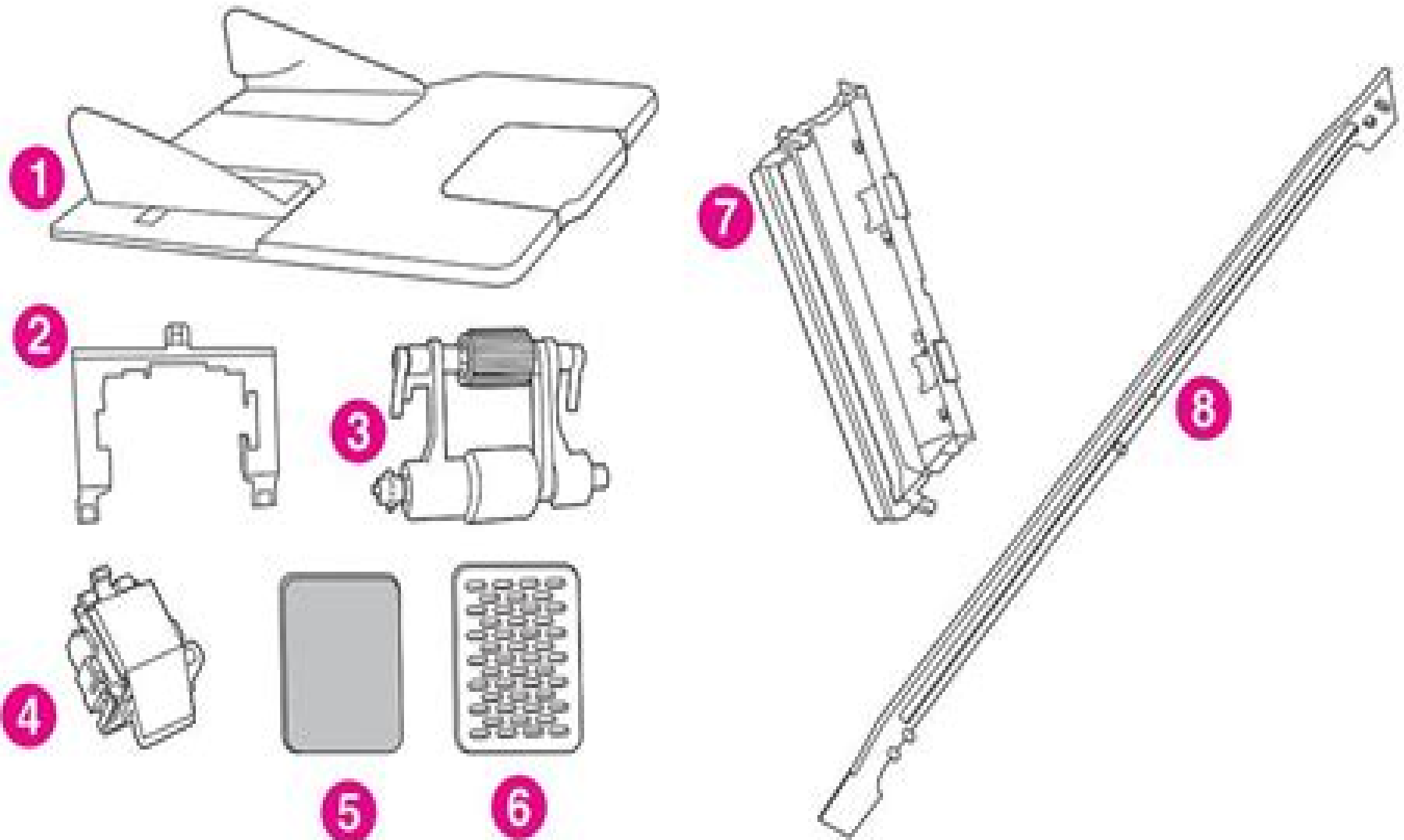


Customer-replaceable components (ADF and scanner)



Hp Laserjet 4345 Mfp User Guide

Y Pai



Hp Laserjet 4345 Mfp User Guide:

Embark on a transformative journey with Explore the World with is captivating work, **Hp Laserjet 4345 Mfp User Guide** . This enlightening ebook, available for download in a convenient PDF format Download in PDF: , invites you to explore a world of boundless knowledge. Unleash your intellectual curiosity and discover the power of words as you dive into this riveting creation. Download now and elevate your reading experience to new heights .

<https://staging.conocer.cide.edu/About/Resources/fetch.php/konica%20bizhub%20250%20service%20manual.pdf>

Table of Contents Hp Laserjet 4345 Mfp User Guide

1. Understanding the eBook Hp Laserjet 4345 Mfp User Guide
 - The Rise of Digital Reading Hp Laserjet 4345 Mfp User Guide
 - Advantages of eBooks Over Traditional Books
2. Identifying Hp Laserjet 4345 Mfp User Guide
 - Exploring Different Genres
 - Considering Fiction vs. Non-Fiction
 - Determining Your Reading Goals
3. Choosing the Right eBook Platform
 - Popular eBook Platforms
 - Features to Look for in an Hp Laserjet 4345 Mfp User Guide
 - User-Friendly Interface
4. Exploring eBook Recommendations from Hp Laserjet 4345 Mfp User Guide
 - Personalized Recommendations
 - Hp Laserjet 4345 Mfp User Guide User Reviews and Ratings
 - Hp Laserjet 4345 Mfp User Guide and Bestseller Lists
5. Accessing Hp Laserjet 4345 Mfp User Guide Free and Paid eBooks
 - Hp Laserjet 4345 Mfp User Guide Public Domain eBooks
 - Hp Laserjet 4345 Mfp User Guide eBook Subscription Services
 - Hp Laserjet 4345 Mfp User Guide Budget-Friendly Options

6. Navigating Hp Laserjet 4345 Mfp User Guide eBook Formats
 - ePub, PDF, MOBI, and More
 - Hp Laserjet 4345 Mfp User Guide Compatibility with Devices
 - Hp Laserjet 4345 Mfp User Guide Enhanced eBook Features
7. Enhancing Your Reading Experience
 - Adjustable Fonts and Text Sizes of Hp Laserjet 4345 Mfp User Guide
 - Highlighting and Note-Taking Hp Laserjet 4345 Mfp User Guide
 - Interactive Elements Hp Laserjet 4345 Mfp User Guide
8. Staying Engaged with Hp Laserjet 4345 Mfp User Guide
 - Joining Online Reading Communities
 - Participating in Virtual Book Clubs
 - Following Authors and Publishers Hp Laserjet 4345 Mfp User Guide
9. Balancing eBooks and Physical Books Hp Laserjet 4345 Mfp User Guide
 - Benefits of a Digital Library
 - Creating a Diverse Reading Collection Hp Laserjet 4345 Mfp User Guide
10. Overcoming Reading Challenges
 - Dealing with Digital Eye Strain
 - Minimizing Distractions
 - Managing Screen Time
11. Cultivating a Reading Routine Hp Laserjet 4345 Mfp User Guide
 - Setting Reading Goals Hp Laserjet 4345 Mfp User Guide
 - Carving Out Dedicated Reading Time
12. Sourcing Reliable Information of Hp Laserjet 4345 Mfp User Guide
 - Fact-Checking eBook Content of Hp Laserjet 4345 Mfp User Guide
 - Distinguishing Credible Sources
13. Promoting Lifelong Learning
 - Utilizing eBooks for Skill Development
 - Exploring Educational eBooks
14. Embracing eBook Trends
 - Integration of Multimedia Elements

- Interactive and Gamified eBooks

Hp Laserjet 4345 Mfp User Guide Introduction

Free PDF Books and Manuals for Download: Unlocking Knowledge at Your Fingertips In today's fast-paced digital age, obtaining valuable knowledge has become easier than ever. Thanks to the internet, a vast array of books and manuals are now available for free download in PDF format. Whether you are a student, professional, or simply an avid reader, this treasure trove of downloadable resources offers a wealth of information, conveniently accessible anytime, anywhere. The advent of online libraries and platforms dedicated to sharing knowledge has revolutionized the way we consume information. No longer confined to physical libraries or bookstores, readers can now access an extensive collection of digital books and manuals with just a few clicks. These resources, available in PDF, Microsoft Word, and PowerPoint formats, cater to a wide range of interests, including literature, technology, science, history, and much more. One notable platform where you can explore and download free Hp Laserjet 4345 Mfp User Guide PDF books and manuals is the internet's largest free library. Hosted online, this catalog compiles a vast assortment of documents, making it a veritable goldmine of knowledge. With its easy-to-use website interface and customizable PDF generator, this platform offers a user-friendly experience, allowing individuals to effortlessly navigate and access the information they seek. The availability of free PDF books and manuals on this platform demonstrates its commitment to democratizing education and empowering individuals with the tools needed to succeed in their chosen fields. It allows anyone, regardless of their background or financial limitations, to expand their horizons and gain insights from experts in various disciplines. One of the most significant advantages of downloading PDF books and manuals lies in their portability. Unlike physical copies, digital books can be stored and carried on a single device, such as a tablet or smartphone, saving valuable space and weight. This convenience makes it possible for readers to have their entire library at their fingertips, whether they are commuting, traveling, or simply enjoying a lazy afternoon at home. Additionally, digital files are easily searchable, enabling readers to locate specific information within seconds. With a few keystrokes, users can search for keywords, topics, or phrases, making research and finding relevant information a breeze. This efficiency saves time and effort, streamlining the learning process and allowing individuals to focus on extracting the information they need. Furthermore, the availability of free PDF books and manuals fosters a culture of continuous learning. By removing financial barriers, more people can access educational resources and pursue lifelong learning, contributing to personal growth and professional development. This democratization of knowledge promotes intellectual curiosity and empowers individuals to become lifelong learners, promoting progress and innovation in various fields. It is worth noting that while accessing free Hp Laserjet 4345 Mfp User Guide PDF books and manuals is convenient and cost-effective, it is vital to respect copyright laws and intellectual property rights. Platforms offering free downloads often operate within legal

boundaries, ensuring that the materials they provide are either in the public domain or authorized for distribution. By adhering to copyright laws, users can enjoy the benefits of free access to knowledge while supporting the authors and publishers who make these resources available. In conclusion, the availability of Hp Laserjet 4345 Mfp User Guide free PDF books and manuals for download has revolutionized the way we access and consume knowledge. With just a few clicks, individuals can explore a vast collection of resources across different disciplines, all free of charge. This accessibility empowers individuals to become lifelong learners, contributing to personal growth, professional development, and the advancement of society as a whole. So why not unlock a world of knowledge today? Start exploring the vast sea of free PDF books and manuals waiting to be discovered right at your fingertips.

FAQs About Hp Laserjet 4345 Mfp User Guide Books

How do I know which eBook platform is the best for me? Finding the best eBook platform depends on your reading preferences and device compatibility. Research different platforms, read user reviews, and explore their features before making a choice. Are free eBooks of good quality? Yes, many reputable platforms offer high-quality free eBooks, including classics and public domain works. However, make sure to verify the source to ensure the eBook credibility. Can I read eBooks without an eReader? Absolutely! Most eBook platforms offer webbased readers or mobile apps that allow you to read eBooks on your computer, tablet, or smartphone. How do I avoid digital eye strain while reading eBooks? To prevent digital eye strain, take regular breaks, adjust the font size and background color, and ensure proper lighting while reading eBooks. What the advantage of interactive eBooks? Interactive eBooks incorporate multimedia elements, quizzes, and activities, enhancing the reader engagement and providing a more immersive learning experience. Hp Laserjet 4345 Mfp User Guide is one of the best book in our library for free trial. We provide copy of Hp Laserjet 4345 Mfp User Guide in digital format, so the resources that you find are reliable. There are also many Ebooks of related with Hp Laserjet 4345 Mfp User Guide. Where to download Hp Laserjet 4345 Mfp User Guide online for free? Are you looking for Hp Laserjet 4345 Mfp User Guide PDF? This is definitely going to save you time and cash in something you should think about. If you trying to find then search around for online. Without a doubt there are numerous these available and many of them have the freedom. However without doubt you receive whatever you purchase. An alternate way to get ideas is always to check another Hp Laserjet 4345 Mfp User Guide. This method for see exactly what may be included and adopt these ideas to your book. This site will almost certainly help you save time and effort, money and stress. If you are looking for free books then you really should consider finding to assist you try this. Several of Hp Laserjet 4345 Mfp User Guide are for sale to free while some are payable. If you arent sure if the books you would like to download works with for usage along with your computer, it is possible to download free trials. The

free guides make it easy for someone to free access online library for download books to your device. You can get free download on free trial for lots of books categories. Our library is the biggest of these that have literally hundreds of thousands of different products categories represented. You will also see that there are specific sites catered to different product types or categories, brands or niches related with Hp Laserjet 4345 Mfp User Guide. So depending on what exactly you are searching, you will be able to choose e books to suit your own need. Need to access completely for Campbell Biology Seventh Edition book? Access Ebook without any digging. And by having access to our ebook online or by storing it on your computer, you have convenient answers with Hp Laserjet 4345 Mfp User Guide To get started finding Hp Laserjet 4345 Mfp User Guide, you are right to find our website which has a comprehensive collection of books online. Our library is the biggest of these that have literally hundreds of thousands of different products represented. You will also see that there are specific sites catered to different categories or niches related with Hp Laserjet 4345 Mfp User Guide So depending on what exactly you are searching, you will be able to choose ebook to suit your own need. Thank you for reading Hp Laserjet 4345 Mfp User Guide. Maybe you have knowledge that, people have search numerous times for their favorite readings like this Hp Laserjet 4345 Mfp User Guide, but end up in harmful downloads. Rather than reading a good book with a cup of coffee in the afternoon, instead they juggled with some harmful bugs inside their laptop. Hp Laserjet 4345 Mfp User Guide is available in our book collection an online access to it is set as public so you can download it instantly. Our digital library spans in multiple locations, allowing you to get the most less latency time to download any of our books like this one. Merely said, Hp Laserjet 4345 Mfp User Guide is universally compatible with any devices to read.

Find Hp Laserjet 4345 Mfp User Guide :

[konica bizhub 250 service manual](#)

kohler generator manual start up

[komatsu hm300 1l articulated truck service shop repair manual](#)

komatsu wa300 1 wa320 1 wa 300 320 wheel loader service repair workshop manual

kohler 4cco 4ccfo 8cco 7ccfo operation installation manual

kohler command ch25s manual

[kohler 8c 10c 12 5c service manual](#)

komatsu 6d170 1 series diesel engines full service repair manual 2002 onwards

komatsu wa250 3 wheel loader service repair manual operation maintenance manual

[kohler generator owners manual](#)

[komatsu d85a 21 d85e 21 d85p 21 service repair manual](#)

[komatsu wa700 3 wa 700 avance wheel loader service repair workshop manual](#)
[kohler 19 hp engine manual 2015](#)

komatsu pc50uu 1 hydraulic excavator service shop repair manual
kohler 25 hp shop manual

Hp Laserjet 4345 Mfp User Guide :

LT-F250_01E.pdf This manual contains an introductory description on the SUZUKI LT-F250 and procedures for its inspection, service, and overhaul of its main components. Suzuki LT250EF service manual Mar 26, 2020 — Hello, I have a 1985 LT250EF and the engine blew this winter and I wanna rebuild it (and the clutch, carb and everything) before the summer! 1986 Suzuki LT250E LT250EF Supplementary Service ... This manual is to be used in conjunction with 99500-42010-01E to fully service the 1986 LT250 E/EF. This is NOT a collectible repair manual, ... Used 1985-1986 Suzuki LT250EF LT250EG LT250EFG ... This Used 1985-1986 Suzuki LT250EF, LT250EG, and LT250EFG Factory Service Manual provides detailed service information, step-by-step repair instruction. Clymer Repair Manuals for Suzuki LT250 Quadrunner 4X4 ... Clymer repair manuals are written for the do-it-yourselfer as well as the experienced mechanic. Every Clymer repair manual contains hundreds of original ... SUZUKI LT250E F Quadrunner ATV 1984 1985 Service ... SUZUKI LT250EF Quadrunner ATV 1984-1985 Factory Service Manual, 261 pages OEM Ref. # 99500-42011-01E NOS New Old Stock. #194/C-1946/A 2nd Edition November ... Suzuki Quick Reference Service Manual Data Sheet 1985 ... 1985 LT250EF. Quick Reference Service Data Spec Sheet. Genuine Suzuki. Qty: 1 Sheet. Brake And Wheel. Fuel + Oil. Suzuki LT-4WD QuadRunner 250 Repair Manuals Suzuki LT-4WD QuadRunner 250 Repair Manuals · Service Manuals · Owner Manuals · Tools. 1986 Suzuki LT250E LT250EF Supplementary Service ... This 45 page, 1986 Suzuki LT250E LT250EF Supplementary Service Manual is a reproduction of the original out of print manual. It provides Supplemental. MODEL 210 NOTE: DO NOT destroy any part of this manual. It contains pertinent information on parts, operation and maintenance of your TYMCO REGENERATIVE AIR SWEEPER and ... Training & Service School | Maintenance & OEM Parts As part of the TYMCO family, we provide multiple support tools including training/service school, OEM parts, maintenance, leasing, and more. Model 210 Parking Lot Sweepers | Manufacturer | Texas The Model 210® Parking Lot Sweeper is a powerful and maneuverable parking lot sweeper featuring height clearance of 6'6" and 2.4 cubic yard hopper. TYMCO Sweeper Model Specs, Brochures & Videos Find specific product brochures, specifications, fact sheets, and video demonstrations for all of our regenerative air sweepers. Model 210h Parking Lot Sweepers | Manufacturer | Texas The Model 210h® Parking Lot Sweeper is powered by the TYMCO hDrive Power System and is an optimized hydraulic power system designed for parking lots. Seasonal Maintenance & Service Tips for TYMCO Sweepers Your TYMCO Parts and Service Manual contains leaf sweeping settings for the pick-up head. ...

Model 210 · Model 435 · Model 500x · Model 600 · Model DST-4 ... MODEL 210h® REGENERATIVE AIR SWEEPER® Aug 21, 2017 — sweeper troubleshooting with LED diagnostics. Specific to the Model 210h, BlueLogic communicates with the truck to engage PTO, maintain ... OEM Replacement Parts for TYMCO Street Sweepers TYMCO manufactures OEM replacement parts including pick-up head curtains, blower wheels, hoses, and brooms to keep your sweeper running smoothly. TYMCO, the inventor of the Regenerative Air System, ... Navigation is very intuitive and allows quick access to menu pages such as User Settings, Sweeper. Statistics, and Engine Fault Status. Digital gauges on the ... MODEL 210® REGENERATIVE AIR SWEEPER® © TYMCO, Inc. 2018 All rights reserved 1/26/18. 1-800-258-9626. This product ... Specifications subject to change without notice. GENERAL SPECIFICATIONS. 210®

Life's Healing Choices Revised and Updated John Baker, a former pastor at Saddleback Church, based this book on the eight steps to spiritual freedom (admitting need, getting help, letting go, coming ... Life's Healing Choices Revised and Updated Through making each of these choices, you too will find God's pathway to wholeness, growth, spiritual maturity, happiness, and healing. Life's Healing Choices: Freedom from Your... by Baker, John Book overview ... With a foreword by Rick Warren, author of The Purpose Driven Life, this life-changing book helps you find true happiness—if you choose to accept ... Life's Healing Choices - Learn - Shop Life's Healing Choices · Life's Healing Choices Revised and Updated. Life's Healing Choices Small Group Study Guide Includes 8 study sessions, led by the Life's Healing Choices Small Group DVD that takes you step-by-step through the recovery and self-discovery process. Life's Healing Choices: Freedom from Your Hurts, Hang- ... Read 84 reviews from the world's largest community for readers. LIFE HAPPENS. Happiness and Healing are yours for the choosing. We've all been hurt by ot... Life's Healing Choices Revised And Updated: Freedom ... The road to spiritual maturity is paved with life-changing decisions. Travel toward wholeness, growth, and freedom by following Jesus' signposts along the ... Life's Healing Choices Small Groups Life's Healing Choices Small Groups ... All leaders are learners. As soon as you stop learning, you stop leading. The Ministry Toolbox is designed to help you ... Life's Healing Choices | LIFE HAPPENS - Happiness and Healing are yours for the choosing. We've all been hurt by other people, we've hurt ourselves, and we've hurt others. And as a ...