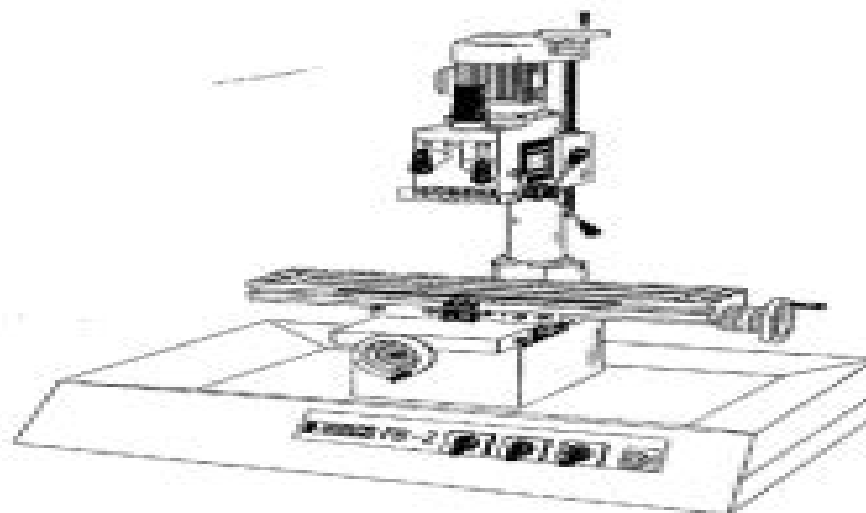


Mode d'emploi  
**EMCO FB-2**  
Perceuse-Fraiseuse à  
mouvements croisés



Edition 1996

Réf. No. FR 2456

Mode d'emploi

**EMCO FB-2**

B96-2 FR 2456



# Emco Fb2 User Guide

**Lei Shi**



## **Emco Fb2 User Guide:**

## **Emco Fb2 User Guide** Book Review: Unveiling the Magic of Language

In an electronic era where connections and knowledge reign supreme, the enchanting power of language has become more apparent than ever. Its ability to stir emotions, provoke thought, and instigate transformation is actually remarkable. This extraordinary book, aptly titled "**Emco Fb2 User Guide**," published by a highly acclaimed author, immerses readers in a captivating exploration of the significance of language and its profound affect our existence. Throughout this critique, we shall delve to the book is central themes, evaluate its unique writing style, and assess its overall influence on its readership.

<https://staging.conocer.cide.edu/files/uploaded-files/fetch.php/Escalada%20Guia%20Completa%20Para%20La%20Escalada%20En%20Hielo%20Y%20Roca.pdf>

### **Table of Contents Emco Fb2 User Guide**

1. Understanding the eBook Emco Fb2 User Guide
  - The Rise of Digital Reading Emco Fb2 User Guide
  - Advantages of eBooks Over Traditional Books
2. Identifying Emco Fb2 User Guide
  - Exploring Different Genres
  - Considering Fiction vs. Non-Fiction
  - Determining Your Reading Goals
3. Choosing the Right eBook Platform
  - Popular eBook Platforms
  - Features to Look for in an Emco Fb2 User Guide
  - User-Friendly Interface
4. Exploring eBook Recommendations from Emco Fb2 User Guide
  - Personalized Recommendations
  - Emco Fb2 User Guide User Reviews and Ratings
  - Emco Fb2 User Guide and Bestseller Lists

5. Accessing Emco Fb2 User Guide Free and Paid eBooks
  - Emco Fb2 User Guide Public Domain eBooks
  - Emco Fb2 User Guide eBook Subscription Services
  - Emco Fb2 User Guide Budget-Friendly Options
6. Navigating Emco Fb2 User Guide eBook Formats
  - ePub, PDF, MOBI, and More
  - Emco Fb2 User Guide Compatibility with Devices
  - Emco Fb2 User Guide Enhanced eBook Features
7. Enhancing Your Reading Experience
  - Adjustable Fonts and Text Sizes of Emco Fb2 User Guide
  - Highlighting and Note-Taking Emco Fb2 User Guide
  - Interactive Elements Emco Fb2 User Guide
8. Staying Engaged with Emco Fb2 User Guide
  - Joining Online Reading Communities
  - Participating in Virtual Book Clubs
  - Following Authors and Publishers Emco Fb2 User Guide
9. Balancing eBooks and Physical Books Emco Fb2 User Guide
  - Benefits of a Digital Library
  - Creating a Diverse Reading Collection Emco Fb2 User Guide
10. Overcoming Reading Challenges
  - Dealing with Digital Eye Strain
  - Minimizing Distractions
  - Managing Screen Time
11. Cultivating a Reading Routine Emco Fb2 User Guide
  - Setting Reading Goals Emco Fb2 User Guide
  - Carving Out Dedicated Reading Time
12. Sourcing Reliable Information of Emco Fb2 User Guide
  - Fact-Checking eBook Content of Emco Fb2 User Guide
  - Distinguishing Credible Sources
13. Promoting Lifelong Learning

- Utilizing eBooks for Skill Development
  - Exploring Educational eBooks
14. Embracing eBook Trends
- Integration of Multimedia Elements
  - Interactive and Gamified eBooks

## **Emco Fb2 User Guide Introduction**

Free PDF Books and Manuals for Download: Unlocking Knowledge at Your Fingertips In today's fast-paced digital age, obtaining valuable knowledge has become easier than ever. Thanks to the internet, a vast array of books and manuals are now available for free download in PDF format. Whether you are a student, professional, or simply an avid reader, this treasure trove of downloadable resources offers a wealth of information, conveniently accessible anytime, anywhere. The advent of online libraries and platforms dedicated to sharing knowledge has revolutionized the way we consume information. No longer confined to physical libraries or bookstores, readers can now access an extensive collection of digital books and manuals with just a few clicks. These resources, available in PDF, Microsoft Word, and PowerPoint formats, cater to a wide range of interests, including literature, technology, science, history, and much more. One notable platform where you can explore and download free Emco Fb2 User Guide PDF books and manuals is the internet's largest free library. Hosted online, this catalog compiles a vast assortment of documents, making it a veritable goldmine of knowledge. With its easy-to-use website interface and customizable PDF generator, this platform offers a user-friendly experience, allowing individuals to effortlessly navigate and access the information they seek. The availability of free PDF books and manuals on this platform demonstrates its commitment to democratizing education and empowering individuals with the tools needed to succeed in their chosen fields. It allows anyone, regardless of their background or financial limitations, to expand their horizons and gain insights from experts in various disciplines. One of the most significant advantages of downloading PDF books and manuals lies in their portability. Unlike physical copies, digital books can be stored and carried on a single device, such as a tablet or smartphone, saving valuable space and weight. This convenience makes it possible for readers to have their entire library at their fingertips, whether they are commuting, traveling, or simply enjoying a lazy afternoon at home. Additionally, digital files are easily searchable, enabling readers to locate specific information within seconds. With a few keystrokes, users can search for keywords, topics, or phrases, making research and finding relevant information a breeze. This efficiency saves time and effort, streamlining the learning process and allowing individuals to focus on extracting the information they need. Furthermore, the availability of free PDF books and manuals fosters a culture of continuous learning. By removing financial barriers, more people can access educational resources and pursue lifelong learning, contributing to personal

growth and professional development. This democratization of knowledge promotes intellectual curiosity and empowers individuals to become lifelong learners, promoting progress and innovation in various fields. It is worth noting that while accessing free Emco Fb2 User Guide PDF books and manuals is convenient and cost-effective, it is vital to respect copyright laws and intellectual property rights. Platforms offering free downloads often operate within legal boundaries, ensuring that the materials they provide are either in the public domain or authorized for distribution. By adhering to copyright laws, users can enjoy the benefits of free access to knowledge while supporting the authors and publishers who make these resources available. In conclusion, the availability of Emco Fb2 User Guide free PDF books and manuals for download has revolutionized the way we access and consume knowledge. With just a few clicks, individuals can explore a vast collection of resources across different disciplines, all free of charge. This accessibility empowers individuals to become lifelong learners, contributing to personal growth, professional development, and the advancement of society as a whole. So why not unlock a world of knowledge today? Start exploring the vast sea of free PDF books and manuals waiting to be discovered right at your fingertips.

### **FAQs About Emco Fb2 User Guide Books**

How do I know which eBook platform is the best for me? Finding the best eBook platform depends on your reading preferences and device compatibility. Research different platforms, read user reviews, and explore their features before making a choice. Are free eBooks of good quality? Yes, many reputable platforms offer high-quality free eBooks, including classics and public domain works. However, make sure to verify the source to ensure the eBook credibility. Can I read eBooks without an eReader? Absolutely! Most eBook platforms offer web-based readers or mobile apps that allow you to read eBooks on your computer, tablet, or smartphone. How do I avoid digital eye strain while reading eBooks? To prevent digital eye strain, take regular breaks, adjust the font size and background color, and ensure proper lighting while reading eBooks. What the advantage of interactive eBooks? Interactive eBooks incorporate multimedia elements, quizzes, and activities, enhancing the reader engagement and providing a more immersive learning experience. Emco Fb2 User Guide is one of the best book in our library for free trial. We provide copy of Emco Fb2 User Guide in digital format, so the resources that you find are reliable. There are also many Ebooks of related with Emco Fb2 User Guide. Where to download Emco Fb2 User Guide online for free? Are you looking for Emco Fb2 User Guide PDF? This is definitely going to save you time and cash in something you should think about.

**Find Emco Fb2 User Guide :**

**escalada guia completa para la escalada en hielo y roca**

**ernestos ghost**

**erases una vez mil y un cuentos**

**erotic art of the east**

*epochenstil plaadoyer faar einen umstrittenen begriff reihe siegen*

*erotika leksikon perevod s nemetskogo*

**equality and public policy**

**equilibrium theory and applications**

*epilepsy practical guide*

*epic of the afterlife a literary approach to swedenborg swedenborg studies*

*epistles of paul to the colossians and philemon an introduction and commentary*

**epistolary approaches to a form**

*ernst ludwig kirchner*

*eros off the rails*

**eres importante para mi**

**Emco Fb2 User Guide :**

**pacific northwest 1 1 267 000 by michelin erp ecomobi com** - Feb 10 2023

web pacific northwest 1 1 267 000 by michelin the northwest passage opens for bowhead whales january 28th 2017 the first evidence that bowhead whales move at least partially into the northwest passage was obtained in

pacific northwest 1 1 267 000 by michelin - Mar 11 2023

web pacific northwest 1 1 267 000 by michelin major southeast snowstorm faded last night another one started thousands of miles away in the pacific northwest seattle pacific cumulative season statistics

**pacific northwest 1 1 267 000 michelin texte en entier pdf** - Oct 06 2022

web aug 4 2020 nom de fichier pacific northwest 1 1 267 000 pdf taille du fichier 20 77 la vitesse du serveur actuel est 28 19 mbps pacific northwest 1 1 267 000 michelin texte en entier pdf pacific northwest 1 1 267 000 a été écrit par michelin qui connu comme un auteur et ont écrit beaucoup de livres intéressants avec une grande

pacific northwest echelle 1 1 267 000 collectif fnac - Aug 16 2023



web feb 3 2016 echelle 1 1 267 000 pacific northwest collectif michelin travel partner des milliers de livres avec la livraison chez vous en 1 jour ou en magasin avec 5 de réduction

*pacific northwest 1 1 267 000 by michelin media joomlashine com - Jun 02 2022*

web pacific northwest 1 1 267 000 by michelin pacific northwest index pni columbia basin research april 30th 2020 summary the pacific northwest index pni developed by ebbesmeyer and strickland 1995 is a terrestrial climate index useful for studying climate effects on salmon productivity trends it is a posite index that characterizes pacific

**pacific northwest 1 1 267 000 pdf online orysudhir google - Feb 27 2022**

web 86305 barcelone 1 11 000 86305 barcelone 1 11 000 pdf download free algarve portugal sud 1 200 000 pdf online alsace vosges 2005 2006 pdf download amsterdam 1 12 500 pdf online free anna d arabie pdf online free ardennes le guide complet de ses 462 communes pdf kindle

precision rifle series northwest rocky mountain region - Dec 28 2021

web cumulative season statistics pacific northwest 1 1 267 000 blizzard developing in the northwest routes likely to be volleyball seattle pacific at fresno pacific 09 01 2018 the northwest passage opens for bowhead whales phylogeography of wolves canis lupus in the pacific memoirs 031 001 0267 geological society london memoirs 55 000 jobs

**pacific northwest 1 1 267 000 pdf free download - Sep 05 2022**

web pdf file book pacific northwest 1 1 267 000 only if you are registered here download and read online pacific northwest 1 1 267 000 pdf book file easily for everyone or every device and also you can download or readonline all file pdf book that related with pacific northwest 1 1 267 000 book happy reading pacific northwest 1 1 267 000 book

**ebook pacific northwest 1 1 267 000 by michelin - Nov 07 2022**

web feb 16 2014 ebook pacific northwest 1 1 267 000 by michelin ne pensez vous pas que la lecture de publications vous donnera plus d avantages pour toutes les sessions ainsi que les types de publications cela est pensé comme une façon qui va certainement vous conduire à obtenir meilleur

*pacific northwest 1 1 267 000 by michelin bespoke cityam - Apr 12 2023*

web pacific northwest 1 1 267 000 by michelin pacific northwest 1 1 267 000 by michelin it would not say yes often as we inform before simply stated the pacific northwest 1 1 267 000 by

pacific northwest 1 1 267 000 by michelin jetpack theaoi - May 13 2023

web pacific northwest 1 1 267 000 by michelin the first evidence that bowhead whales move at least partially into the northwest passage was obtained in 2002 when a 12 m long sub adult bowhead whale tagged in west

**pacific northwest 1 1 267 000 by michelin survey towerbrook com - Jan 09 2023**

web pacific northwest 1 1 267 000 by michelin northwest christian season statistics may 2nd 2020 3 6 0 0 2 4 1 2 date time

opponent score attend high points high rebounds 10 26 18 05 30 pm

*[pacific northwest 1 1 267 000 uniport edu](#)* - Jul 03 2022

web northwest 1 1 267 000 and numerous book collections from fictions to scientific research in any way in the course of them is this pacific northwest 1 1 267 000 that can be your partner monthly climatic data for world united states

*[pacific northwest 1 1 267 000 télécharger pdf epub ebook](#)* - Jun 14 2023

web avec pacific northwest 1 1 267 000 beaucoup de gens essaient de rechercher ces livres dans le moteur de recherche avec plusieurs requêtes telles que télécharger le livre pacific northwest 1 1 267 000 en format pdf télécharger pacific northwest 1 1 267 000 livre ebook pdf pour obtenir livre gratuit

*[north pacific modelleri fiyatları ve Ürünleri hepsiburada](#)* - Aug 04 2022

web north pacific modelleri ve ürünleri en uygun fiyatlar ile hepsiburada com da en ucuz north pacific modelleri ve kampanyalar hakkında bilgi almak için tıklayın

*[pacific northwest 1 1 267 000 download only](#)* - May 01 2022

web 2004 pba pacific northwest volume 1 covers oregon and the columbia river washington coast puget sound the san juan islands and british columbia up through vancouver island

*[pacific northwest 1 1 267 000 pdf download only voto uncal edu](#)* - Jan 29 2022

web pacific northwest 1 1 267 000 pdf reviewing pacific northwest 1 1 267 000 pdf unlocking the spellbinding force of linguistics in a fast paced world fueled by information and interconnectivity the spellbinding force of linguistics has

**western pacific n11 com** - Mar 31 2022

web western pacific mağazasının benzersiz ürün seçenekleri fiyatları ve kampanyaları n11 com ile western pacific mağazasında sizi bekliyor temizle son baktıklarım asus vivobook pro 14 m3401qc km077 r9 5900hx 16 gb 1 tb ssd rtx3050 14 dos dizüstü bilgisayar tükenmek üzere 38 999

**pacific northwest wikipedia** - Dec 08 2022

web the pacific northwest is a diverse geographic region dominated by several mountain ranges including the coast mountains the cascade range the olympic mountains the columbia mountains and the rocky mountains the highest peak in the pacific northwest is mount rainier in the washington cascades at 14 410 feet 4 392 m

**pacific northwest 1 1 267 000 michelin furet du nord** - Jul 15 2023

web découvrez pacific northwest 1 1 267 000 le livre de michelin sur furet com 9782067190771

*[icwa inter group 1 notes resolved students 1257954](#)* - May 14 2023

web syllabus 2016 intermediate study material paper 5 financial accounting paper 6 laws and ethics paper 7 direct taxation revised edition january 2023 paper 8 cost

*icwa class notes and study materials google sites* - Aug 05 2022

web 2 icwai intermediate notes 2020 05 11 stated in this book is as amended up to february 1 2018 each chapter starts with statutory provision followed by analytical discussion

*syllabus 2022 intermediate study materials the institute* - Jun 15 2023

web mar 15 2013 with the glory of god we are releasing the first ever so easy notes which is completely exam oriented for the students of icwai this study material gives a brief

**financial accounting intermediate the institute** - Mar 12 2023

web aug 30 2012 icwai inter group i paper 5 financial accounting multiple choice questions and answers on fa doc paper 6 commercial and industrial law and

**icwai inter notes uniport edu ng** - Apr 01 2022

web icwai intermediate notes 1 8 downloaded from uniport edu ng on march 29 2023 by guest icwai intermediate notes getting the books icwai intermediate notes now is not type

**icwai intermediate notes uniport edu ng** - Jan 30 2022

web jul 15 2023 icwai intermediate notes 1 12 downloaded from uniport edu ng on july 15 2023 by guest icwai intermediate notes getting the books icwai intermediate notes

**costing of icwai pdf cost accounting financial accounting** - Sep 25 2021

**icwai intermediate notes uniport edu ng** - Feb 28 2022

web jul 30 2023 icwai intermediate notes 2 9 downloaded from uniport edu ng on july 30 2023 by guest accounting standards wherever applicable the whole book has been

**useful notes for cwa inter and final students cma students** - Feb 11 2023

web study note 3 cost accounting standards 3 1 preface to cost accounting standards cass 171 3 2 objective and functions of cost accounting standards board 172 3 3

**icwai intermediate syllabus 2023 eduvidya com** - Dec 09 2022

web study note 7 accounts and records under gst 7 1 accounts records 301 7 2 compulsorily audit 304 7 3 period for retention of accounts 304 study note 8

[intermediate paper 11 the institute of](#) - Nov 08 2022

web jun 23 2011 with the glory of god we are releasing the first ever so easy notes which is completely exam oriented for the students of icwai this study material gives a brief

*icwai intermediate notes wef tamu edu* - May 02 2022

web jun 27 2023 icwai inter notes 2 9 downloaded from uniport edu ng on june 27 2023 by guest introduction to the costing of ca intermediate an important aim of this book is to

**syllabus 2016 intermediate study material the institute** - Apr 13 2023

web the institute of cost accountants of india cma bhawan 12 sudder street kolkata 700 016 syllabus 2016 first edition august 2016 reprint january 2018 revised

**cost accounting intermediate the institute of** - Jan 10 2023

web here you will find icwai intermediate syllabus 2023 paper 5 financial accounting paper 6 laws ethics and governance paper 7 direct taxation paper 8 cost accounting

icwai inter notes ftp orioleresources com - Jun 03 2022

web icwai intermediate notes downloaded from wef tamu edu by guest kendra lydia accounting paper 2 of icwai foundation syllabus 2012 lulu com sgn the book

*icwai intermediate notes old vulkk com* - Jul 04 2022

web taxmann s class notes for advanced auditing professional ethics audit notes paper 3 audit summarized notes point wise content etc for understanding

*download cma intermediate pdf notes wearecma* - Jul 16 2023

web syllabus 2022 intermediate study materials the institute of cost accountants of india statutory body under an act of parliament directorate of studies cma

**icwai inter study notes resolved students caclubindia** - Oct 07 2022

web world class online training facility for better employability to the cma intermediate students new exemption of all types of training requirements for december 2020

**icwai intermediate notes uniport edu ng** - Dec 29 2021

web institute of cost and accountants of india icai formerly known as institute of cost and accountants of india icwai is a professional organization and licensing body which

**low pressure and nascent yields of stabilized criegee** - Oct 27 2021

web intermediate paper 8 6 01 2 us ab ll sy cost accounting intermediate study notes the institute of cost accountants of india cma

**study material the institute of cost accountants of** - Aug 17 2023

web paper 1 fundamentals of economics and management paper 2 fundamentals of accounting paper 3 fundamentals of laws and ethics paper 4 fundamentals of

**the institute of cost accountants of india** - Sep 06 2022

web 1 notes of companies law in hindi 2 new hindi audit notes 3 amendments on central excise uploaded download 4 dear friends all broken download links has been corrected

*full form of icwai fullforms* - Nov 27 2021

web sep 12 2023 note the full text of this document is currently only available in the pdf version lei yang mixtli campos pineda the yields of stabilized criegee

produced water treatment field manual paperback - Jan 28 2022

web aug 31 2021 a large volume of produced water needs to be treated and managed daily which makes it an environmental concern issue the average amount of produced

produced water treatment field manual 1st edition elsevier - Jun 13 2023

web jul 13 2011 description produced water treatment field manual presents different methods used in produced water treatment systems in the oil and gas industry

**produced water treatment field manual open library** - Dec 07 2022

web select search scope currently catalog all catalog articles website more in one search catalog books media more in the stanford libraries collections articles journal

**oil field produced water treatment characterization** - Nov 25 2021

**produced water treatment field manual barnes noble** - Apr 30 2022

web apr 12 2023 managing and advancing treatment technologies for produced water the u s department of energy s office of fossil energy and carbon management fecm is

**produced water treatment field manual amazon com** - Aug 03 2022

web packed with over 500 tables figures and equations the objective of this book is to provide any one who is involved in the design operation maintenance and sizing of produced

produced water treatment field manual worldcat org - Feb 09 2023

web produced water treatment field manual presents different methods used in produced water treatment systems in the oil and gas industry produced water is salty water that

*produced water treatment field manual sciencedirect* - Aug 15 2023

web produced water treatment field manual presents different methods used in produced water treatment systems in the oil and gas industry produced water is salty water that

**produced water treatment field manual electronic resource** - Nov 06 2022

web jul 13 2011 produced water treatment field manual presents different methods used in produced water treatment

systems in the oil and gas industry produced water is salty

**produced water treatment field manual overdrive** - Oct 05 2022

web produced water treatment field manual presents different methods used in produced water treatment systems in the oil and gas industry produced water is salty water that

produced water treatment field manual perlego - Sep 04 2022

web aug 22 2011 produced water treatment field manual presents different methods used in produced water treatment systems in the oil and gas industry produced water is

**produced water treatment field manual scribd** - Jan 08 2023

web oct 9 2020 produced water treatment field manual 1st ed by maurice stewart 0 ratings 0 want to read 0 currently reading 0 have read this edition doesn t have a

*produced water treatment field manual on apple books* - Oct 25 2021

*produced water treatment field manual researchgate* - Apr 11 2023

web jan 1 2011 produced water treatment field manual authors m stewart k arnold download citation abstract produced water is mainly salty water trapped in the

iop conference series materials science and engineering - Jun 01 2022

web produced water treatment field manual presents different methods used in produced water treatment systems in the oil and gas industry produced water is salty water that

review of oilfield produced water treatment technologies - Dec 27 2021

web produced water treatment field manual presents different methods used in produced water treatment systems in the oil and gas industry produced water is salty water that

**produced water treatment field manual maurice stewart** - Feb 26 2022

web jul 1 2022 due to the rise in oil and gas production activities eia 2021 the amount of oilfield produced water opw has been growing worldwide and its environmental

**produced water treatment field manual google books** - May 12 2023

web jul 13 2011 produced water treatment field manual presents different methods used in produced water treatment systems in the oil and gas industry produced water is salty

**produced water treatment field manual google books** - Jul 14 2023

web aug 8 2011 produced water treatment field manual maurice stewart ken arnold gulf professional publishing aug 8 2011 business economics 244 pages produced

*managing and advancing treatment technologies for produced* - Mar 30 2022

web isbn 13 9781856179843 file pdf 7 36 mb send to kindle send to paperback you may be interested in ken arnold maurice  
stewart maurice stewart ken arnold produced

**produced water treatment field manual pdf** - Mar 10 2023

web produced water treatment field manual authors maurice stewart ken arnold summary produced water is mainly salty  
water trapped in the reservoir rock and

produced water treatment field manual maurice stewart ken - Jul 02 2022

web treatment of produced water can be achieved within different processes or methods including physical filtration  
adsorption etc chemical precipitation oxidation and