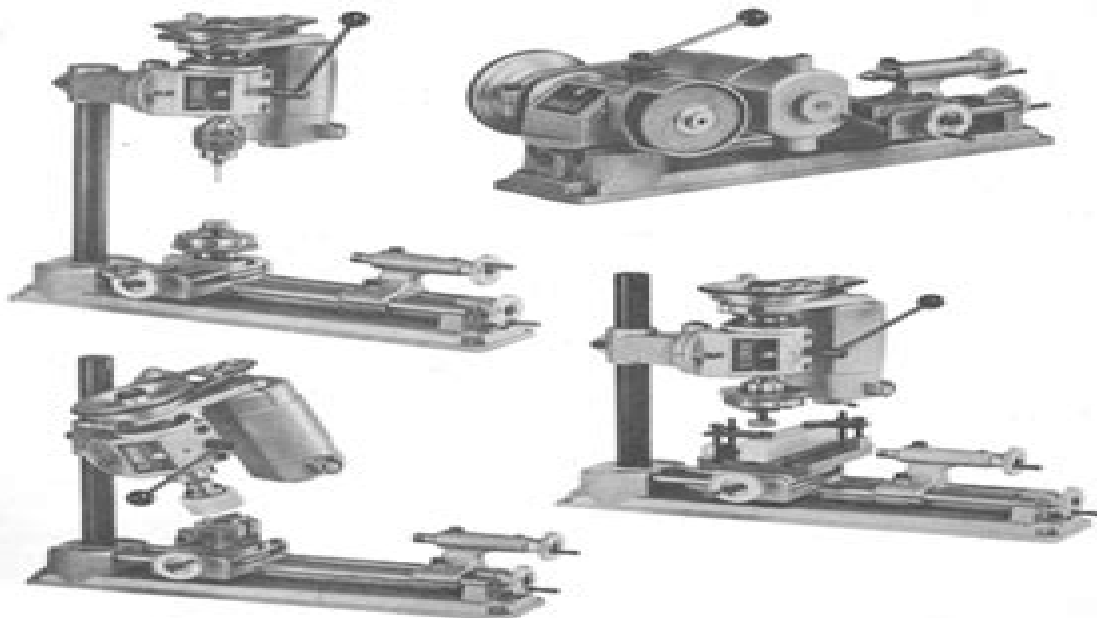


MACHINE TOOL

Surely the most fascinating little machine a craftsman could imagine, the Unimat is much more than simply an appealing little precision metal lathe. It's really a complete miniature machine tool system—a system of components that can be set up in various ways to perform on small scale any of the standard rotary metal-machining operations, turning, drilling, milling or grinding. More than that, the many accessories available for the tool extend its capabilities even further, and even include units to convert the basic machine to any of several woodworking power tools. All this makes the Unimat not merely a combination tool but a universal tool, a complete machine shop in itself. No other small shop machine compares with it. The Unimat is unique.

You can use it anywhere, even on a kitchen table. With the tool set up as a metal lathe, you're equipped to turn your own steel, brass or aluminum parts to split-thousandth tolerance. When you set up the machine as a drill press, you're able to perform on small scale any of the common drilling operations, including countersinking, counterboring, even "sensitive" drilling of extremely small holes with very tiny twist drills. When you set up the Unimat as a vertical milling machine, you're able to mill intricately-shaped metal parts you couldn't possibly make in any other way. With the machine set up as a surface grinder, you can precision-grind hardened steel parts



Here's The Basic Unit



Emco Unimat 5 Manual

Padhraic Smyth



Emco Unimat 5 Manual:

Immerse yourself in the artistry of words with is expressive creation, **Emco Unimat 5 Manual** . This ebook, presented in a PDF format (PDF Size: *), is a masterpiece that goes beyond conventional storytelling. Indulge your senses in prose, poetry, and knowledge. Download now to let the beauty of literature and artistry envelop your mind in a unique and expressive way.

<https://staging.conocer.cide.edu/data/Resources/HomePages/liniia%20zhittia%20z%20shchodennikiv%20u%20dvokh%20tomakh.pdf>

Table of Contents Emco Unimat 5 Manual

1. Understanding the eBook Emco Unimat 5 Manual
 - The Rise of Digital Reading Emco Unimat 5 Manual
 - Advantages of eBooks Over Traditional Books
2. Identifying Emco Unimat 5 Manual
 - Exploring Different Genres
 - Considering Fiction vs. Non-Fiction
 - Determining Your Reading Goals
3. Choosing the Right eBook Platform
 - Popular eBook Platforms
 - Features to Look for in an Emco Unimat 5 Manual
 - User-Friendly Interface
4. Exploring eBook Recommendations from Emco Unimat 5 Manual
 - Personalized Recommendations
 - Emco Unimat 5 Manual User Reviews and Ratings
 - Emco Unimat 5 Manual and Bestseller Lists
5. Accessing Emco Unimat 5 Manual Free and Paid eBooks
 - Emco Unimat 5 Manual Public Domain eBooks
 - Emco Unimat 5 Manual eBook Subscription Services
 - Emco Unimat 5 Manual Budget-Friendly Options

6. Navigating Emco Unimat 5 Manual eBook Formats
 - ePub, PDF, MOBI, and More
 - Emco Unimat 5 Manual Compatibility with Devices
 - Emco Unimat 5 Manual Enhanced eBook Features
7. Enhancing Your Reading Experience
 - Adjustable Fonts and Text Sizes of Emco Unimat 5 Manual
 - Highlighting and Note-Taking Emco Unimat 5 Manual
 - Interactive Elements Emco Unimat 5 Manual
8. Staying Engaged with Emco Unimat 5 Manual
 - Joining Online Reading Communities
 - Participating in Virtual Book Clubs
 - Following Authors and Publishers Emco Unimat 5 Manual
9. Balancing eBooks and Physical Books Emco Unimat 5 Manual
 - Benefits of a Digital Library
 - Creating a Diverse Reading Collection Emco Unimat 5 Manual
10. Overcoming Reading Challenges
 - Dealing with Digital Eye Strain
 - Minimizing Distractions
 - Managing Screen Time
11. Cultivating a Reading Routine Emco Unimat 5 Manual
 - Setting Reading Goals Emco Unimat 5 Manual
 - Carving Out Dedicated Reading Time
12. Sourcing Reliable Information of Emco Unimat 5 Manual
 - Fact-Checking eBook Content of Emco Unimat 5 Manual
 - Distinguishing Credible Sources
13. Promoting Lifelong Learning
 - Utilizing eBooks for Skill Development
 - Exploring Educational eBooks
14. Embracing eBook Trends
 - Integration of Multimedia Elements

- Interactive and Gamified eBooks

Emco Unimat 5 Manual Introduction

In the digital age, access to information has become easier than ever before. The ability to download Emco Unimat 5 Manual has revolutionized the way we consume written content. Whether you are a student looking for course material, an avid reader searching for your next favorite book, or a professional seeking research papers, the option to download Emco Unimat 5 Manual has opened up a world of possibilities. Downloading Emco Unimat 5 Manual provides numerous advantages over physical copies of books and documents. Firstly, it is incredibly convenient. Gone are the days of carrying around heavy textbooks or bulky folders filled with papers. With the click of a button, you can gain immediate access to valuable resources on any device. This convenience allows for efficient studying, researching, and reading on the go. Moreover, the cost-effective nature of downloading Emco Unimat 5 Manual has democratized knowledge. Traditional books and academic journals can be expensive, making it difficult for individuals with limited financial resources to access information. By offering free PDF downloads, publishers and authors are enabling a wider audience to benefit from their work. This inclusivity promotes equal opportunities for learning and personal growth. There are numerous websites and platforms where individuals can download Emco Unimat 5 Manual. These websites range from academic databases offering research papers and journals to online libraries with an expansive collection of books from various genres. Many authors and publishers also upload their work to specific websites, granting readers access to their content without any charge. These platforms not only provide access to existing literature but also serve as an excellent platform for undiscovered authors to share their work with the world. However, it is essential to be cautious while downloading Emco Unimat 5 Manual. Some websites may offer pirated or illegally obtained copies of copyrighted material. Engaging in such activities not only violates copyright laws but also undermines the efforts of authors, publishers, and researchers. To ensure ethical downloading, it is advisable to utilize reputable websites that prioritize the legal distribution of content. When downloading Emco Unimat 5 Manual, users should also consider the potential security risks associated with online platforms. Malicious actors may exploit vulnerabilities in unprotected websites to distribute malware or steal personal information. To protect themselves, individuals should ensure their devices have reliable antivirus software installed and validate the legitimacy of the websites they are downloading from. In conclusion, the ability to download Emco Unimat 5 Manual has transformed the way we access information. With the convenience, cost-effectiveness, and accessibility it offers, free PDF downloads have become a popular choice for students, researchers, and book lovers worldwide. However, it is crucial to engage in ethical downloading practices and prioritize personal security when utilizing online platforms. By doing so, individuals can make the most of the vast array of free PDF resources available and embark on a journey of continuous learning and intellectual growth.

FAQs About Emco Unimat 5 Manual Books

1. Where can I buy Emco Unimat 5 Manual books? Bookstores: Physical bookstores like Barnes & Noble, Waterstones, and independent local stores. Online Retailers: Amazon, Book Depository, and various online bookstores offer a wide range of books in physical and digital formats.
2. What are the different book formats available? Hardcover: Sturdy and durable, usually more expensive. Paperback: Cheaper, lighter, and more portable than hardcovers. E-books: Digital books available for e-readers like Kindle or software like Apple Books, Kindle, and Google Play Books.
3. How do I choose a Emco Unimat 5 Manual book to read? Genres: Consider the genre you enjoy (fiction, non-fiction, mystery, sci-fi, etc.). Recommendations: Ask friends, join book clubs, or explore online reviews and recommendations. Author: If you like a particular author, you might enjoy more of their work.
4. How do I take care of Emco Unimat 5 Manual books? Storage: Keep them away from direct sunlight and in a dry environment. Handling: Avoid folding pages, use bookmarks, and handle them with clean hands. Cleaning: Gently dust the covers and pages occasionally.
5. Can I borrow books without buying them? Public Libraries: Local libraries offer a wide range of books for borrowing. Book Swaps: Community book exchanges or online platforms where people exchange books.
6. How can I track my reading progress or manage my book collection? Book Tracking Apps: Goodreads, LibraryThing, and Book Catalogue are popular apps for tracking your reading progress and managing book collections. Spreadsheets: You can create your own spreadsheet to track books read, ratings, and other details.
7. What are Emco Unimat 5 Manual audiobooks, and where can I find them? Audiobooks: Audio recordings of books, perfect for listening while commuting or multitasking. Platforms: Audible, LibriVox, and Google Play Books offer a wide selection of audiobooks.
8. How do I support authors or the book industry? Buy Books: Purchase books from authors or independent bookstores. Reviews: Leave reviews on platforms like Goodreads or Amazon. Promotion: Share your favorite books on social media or recommend them to friends.
9. Are there book clubs or reading communities I can join? Local Clubs: Check for local book clubs in libraries or community centers. Online Communities: Platforms like Goodreads have virtual book clubs and discussion groups.
10. Can I read Emco Unimat 5 Manual books for free? Public Domain Books: Many classic books are available for free as they're in the public domain. Free E-books: Some websites offer free e-books legally, like Project Gutenberg or Open Library.

Find Emco Unimat 5 Manual :

liniia zhittia z shchodennikiv u dvokh tomakh

lines of my life journal of a year

lion in the room next door

lion bite; got milk; run sam run; sing a song; flea bites

literary criticism index

lippincott`s basic reading k

lingering laughter

liquid crystals physical properties and nonlinear optical phenomena

listen its a goal

literary paris

linguistics in language teaching by wilkins d.

lion at morning

linguistic and computational techniques in machine translation

literary monographs

lingo of learning

Emco Unimat 5 Manual :

advanced practice nursing roles core concepts for - Feb 07 2023

web this sixth edition the only text to address the aprn role globally continues the conversation on educational requirements and differentiation from certification and includes expanded coverage of professional issues and research based practice

advanced practice nursing roles core concepts for professional - Mar 08 2023

web advanced practice nursing roles core concepts for professional development worldcat org 1 reviews author kathryn a blair editor abstract the sixth edition of this text on advanced nursing role development is completely updated to encompass the full complement of current aprn practice roles

advanced practice nursing roles core concepts for prof - Apr 09 2023

web oct 28 2018 advanced practice nursing roles core concepts for professional development faanp blair kathryn a phd fnp editor 5 00 1 rating1 review the sixth edition of this time tested text on advanced nursing role development is completely updated to encompass the full complement of current aprn practice roles

advanced practice nursing roles springer publishing - Sep 14 2023

web oct 31 2018 this sixth edition the only text to address the aprn role globally continues the conversation on educational requirements and differentiation from certification and includes expanded coverage of professional issues

advanced practice nursing roles 6th edition chegg - Jun 30 2022

web oct 28 2018 advanced practice nursing roles 6th edition core concepts for professional development eisbn 0826161537 eisbn 13 9780826161536 authors kathryn a blair rent from 34 49 etextbook instant access from 37 50 buy from 57 99 etextbook 37 50 expires 5 4 2024 180 days expires 05 03 2024 37 50

advanced practice nursing roles core concepts for - Aug 13 2023

web oct 31 2018 the sixth edition of this time tested text on advanced nursing role development is completely updated to encompass the full complement of current aprn practice roles

advanced practice nursing in singapore sage journals - Feb 24 2022

web the aprn role is still evolving we need to continue to develop innovative roles monitor role development and outcomes of practice and demonstrate the effectiveness of the apns it is envisaged that the future prospects are for advanced practice nursing in areas such as primary care managing chronic conditions home healthcare telehealth care

advanced practice nursing roles core concepts for - Oct 15 2023

web it reflects the competencies identified by key stakeholder organizations such as the ana nonpf nacns aana acnm and aacn new to the sixth edition focuses on the pros and cons of

advanced practice nursing roles core concepts for - May 10 2023

web info 74 99 59 99 ebook free sample about this ebook arrow forward the sixth edition of this time tested text on advanced nursing role development is completely updated to

advanced practice nursing roles sixth edition core concepts - Jul 12 2023

web advanced practice nursing roles core concepts for professional development kathryn a blair the sixth edition of this time tested text on advanced nursing role development is pletely updated to enpass the full plement of current aprn practice roles

advanced practice nursing roles core concepts for - Mar 28 2022

web access and instantly download the advanced practice nursing roles 6th edition nursing test bank pdf to sharpen your skills replicate the real test environment and improve nursing students critical thinking and clinical skills to ace your classes with ease

advanced practice nursing roles core concepts for - Jan 06 2023

web oct 31 2018 new to the sixth edition focuses on the pros and cons of international healthcare system models reflects the evolving roles of the dnp and cnl details the transition into practice for aprn master s and doctoral students particularly nps

cnss cnms and crnas

[advanced practice nursing roles sixth edition open library](#) - Dec 05 2022

web aug 13 2020 advanced practice nursing roles sixth edition core concepts for professional development by kathryn a blair 0 ratings 0 want to read 0 currently reading 0 have read this edition doesn't have a description yet can you add one publish date 2018 publisher springer publishing company incorporated language

advanced practice nursing roles google books - Sep 02 2022

web sep 30 2018 this sixth edition the only text to address the aprn role globally continues the conversation on educational requirements and differentiation from certification and includes expanded

advanced practice nursing roles sixth edition 6th edition chegg - Apr 28 2022

web oct 15 2018 advanced practice nursing roles sixth edition 6th edition core concepts for professional development isbn 0826161529 isbn 13 9780826161529 authors kathryn a blair rent from 34 49 etextbook instant access from 37 50 buy from 57 99 rent 34 49 due 12 22 2023 included with your book feel free to

advanced practice nursing roles 6th edition vitalsource - May 30 2022

web advanced practice nursing roles core concepts for professional development 6th edition is written by kathryn a blair and published by springer publishing company the digital and etextbook isbns for advanced practice nursing roles are 9780826161536 0826161537 and the print isbns are 9780826161529 0826161529

advanced practice nursing roles core concepts for - Jun 11 2023

web oct 28 2018 advanced practice nursing roles core concepts for professional development 6th edition kindle edition by faanp blair kathryn a phd fnp editor format kindle edition 4 4 58 ratings

[advanced practice nursing roles core concepts for](#) - Nov 04 2022

web advanced practice nursing roles core concepts for professional development ebook blair kathryn a phd fnp faanp amazon com au kindle store

advanced practice nursing roles core concepts for - Oct 03 2022

web this sixth edition the only text to address the aprn role globally continues the conversation on educational requirements and differentiation from certification and includes expanded coverage of professional issues and research based practice

[snb advanced practice nurse moh](#) - Aug 01 2022

web aug 29 2023 an advanced practice nurse apn is a registered nurse rn who has acquired the expert knowledge base complex decision making skills and clinical competencies for extended practice they are trained in the diagnosis and management of common medical conditions including chronic illnesses apns provide a broad range of

lund black and white stock photos images alamy - Jul 03 2022

web find the perfect lund black white image huge collection amazing choice 100 million high quality affordable rf and rm images no need to register buy now

indian land photos and premium high res pictures getty images - Apr 12 2023

web browse getty images premium collection of high quality authentic indian land stock photos royalty free images and pictures indian land stock photos are available in a variety of sizes and formats to fit your needs

land wallpapers wallpaper cave - Mar 11 2023

web tons of awesome land wallpapers to download for free you can also upload and share your favorite land wallpapers hd wallpapers and background images

free indian boys photos pexels - Feb 27 2022

web download and use 40 000 indian boys stock photos for free thousands of new images every day completely free to use high quality videos and images from pexels photos explore

lnd energy - Jan 09 2023

web sürdürülebilir enerji talep edilen bir gelecek bu nedenle lnd energy olarak bu duruma uyum sağlamanıza yardımcı olmak için 7 24 çalışıyoruz en yeni yakıtları ve depolama çözümlerini kullanarak tüm elektrik ısıtma ve soğutma ihtiyaçlarını karşılamak için ısmarlama çözümler üretiyoruz bu ticari marka tutkumuz

lund photos download the best free lund stock photos hd images - May 13 2023

web download and use 10 lund stock photos for free thousands of new images every day completely free to use high quality videos and images from pexels photos explore

lnd dosyaları nedir nasıl açarım ÇÖZÜLDÜ fileviewpro - Oct 06 2022

web dosya uzantısı lnd nedir bir lnd dosya uzantısı aslen upperspace tarafından 3d landscape for everyone yazılımı için geliştirilmiş bir 3d landscape file dosyası türüdür dahili web izleme verilerimiz united states ülkesinde yaşayan ve windows 10 işletim sistemi kullanıcısı olanların büyük olasılıkla 3d landscape file

land photos and premium high res pictures getty images - Jul 15 2023

web browse 11 836 122 authentic land stock photos high res images and pictures or explore additional landscape or land icon stock images to find the right photo at the right size and resolution for your project

state house candidate in virginia condemns leak of sex tapes - Dec 28 2021

web sep 12 2023 sept 11 2023 a democratic candidate in a crucial race for the virginia general assembly denounced reports on monday that she and her husband had performed live on a sexually explicit streaming

lund photos and premium high res pictures getty images - Feb 10 2023

web browse getty images premium collection of high quality authentic lund stock photos royalty free images and pictures

web browse getty images premium collection of high quality authentic Ind stock photos royalty free images and pictures Ind stock photos are available in a variety of sizes and formats to fit your needs

land photos download the best free land stock photos hd images - Aug 16 2023

web download and use 7 000 land stock photos for free thousands of new images every day completely free to use high quality videos and images from pexels photos explore

amazon com jahangir khan 555 the untold story behind squash - Dec 27 2021

web nov 1 2016 in the 30th anniversary year to mark his unmatched run jahangir khan 555 the untold story behind squash s invincible champion and sport s greatest unbeaten run dissects his early upbringing how the then 17 year old embarked on the five year run following the tragic death of his brother the pressure he ultimately faced to succeed from

jahangir khan 555 facebook - Jan 08 2023

web jahangir khan 555 1 096 likes 1 talking about this the untold story behind squash s invincible champion and sport s greatest unbeaten run looking at jk s career through retro clips images and

[jahangir khan 555 the untold story behind squash s invincible](#) - May 12 2023

web jahangir khan 555 the untold story behind squash s invincible champion and sport s greatest unbeaten run rod gilmour amazon com tr kitap

jahangir khan 555 the un yumpu - Jan 28 2022

web even fiction guides from time to time need to have a little research to verify they can be factually suitable jahangir khan 555 the untold story behind squash s invincible champion and sport s greatest unbeaten run study can be achieved speedily on the web lately most libraries now have their reference publications on the web as well

jahangir khan 555 by rod gilmour overdrive - Jul 02 2022

web nov 1 2016 in the 30th anniversary year to mark his unmatched run jahangir khan 555 the untold story behind squash s invincible champion and sport s greatest unbeaten run dissects his early upbringing how the then 17 year old embarked on the five year run following the tragic death of his brother the pressure he ultimately faced to succeed from

alan s blog jahangir khan 555 book reveals an amazing era in squash - Sep 04 2022

web november 1 2016 2 ross norman and jahangir khan in action jahangir khan and geoff hunt geoff hunt ross norman and five years of total domination by the great jahangir khan by alan thatcher squash mad editor

jahangir khan 555 the untold story behind squash s invincible - Apr 11 2023

web in the 30th anniversary year to mark his unmatched run jahangir khan 555 the untold story behind squash s invincible champion and sport s greatest unbeaten run dissects his early upbringing

jahangir khan 555 the untold story behind squash s invincible - Aug 03 2022

web buy jahangir khan 555 the untold story behind squash s invincible champion and sport s greatest unbeaten run by gilmour rod online on amazon ae at best prices fast and free shipping free returns cash on delivery available on eligible purchase

jahangir khan 555 the untold story behind squash s invincible - Aug 15 2023

web feb 1 2017 from 1981 to 1986 pakistani squash great jahangir khan went undefeated to herald the longest unbeaten run in sport in the 30th anniversary of his incredible achievements the book dissects his five year run the extent his rivals went to even to win a game and tellingly brings to an end the long held belief that he went 555 matches

conqueror of the world squash magazine - Dec 07 2022

web dec 9 2016 the story of jahangir khan isn t really untold although gilmour thatcher call dicky rutnagur the doyen of the squash press of that era and slide in a supererogatory but funny tale about him they oddly don t list rutnagur s 1997 book khans unlimited in their bibliography

[jahangir khan 555 the un yumpu](#) - Jun 01 2022

web jahangir khan 555 the un jahangir khan 555 the untold story behind squash s invincible champion and sport sgreatest unbeaten runcopy link

jahangir khan 555 the untold story behind squash s invincible - Mar 10 2023

web in the 30th anniversary year to mark his unmatched run jahangir khan 555 the untold story behind squash s invincible champion and sport s greatest unbeaten run dissects his early upbringing how the then 17 year old embarked on the five year run following the tragic death of his brother the pressure he ultimately faced to succeed from an

e book download jahangir khan 555 the untold story behind squash - Mar 30 2022

web apr 6 2020 jahangir khan 555 the untold story behind squash s invincible champion and sports greatest unbeaten run book detail paperback 288 pages publisher pitch publishing february 1 2017 language english isbn 10 1785312189 isbn 13 978 1785312182

jahangir khan 555 the untold story behind squash s invincible - Nov 06 2022

web from 1981 to 1986 pakistani squash great jahangir khan went undefeated to herald the longest unbeaten run in world sports until his streak came to an end at the 1986 world championships in the 30th anniversary year to mark his unmatched run jahangir khan 555 the untold story behind squash s invincible champion and sport s greatest

jahangir khan 555 the untold story behind squash s invincible - Oct 05 2022

web abebooks com jahangir khan 555 the untold story behind squash s invincible champion and sport s greatest unbeaten run 9781785312182 by gilmour rod and a great selection of similar new used and collectible books available now at great prices

jahangir khan 555 the untold story behind squash s invincible - Apr 30 2022

web jahangir khan 555 the untold story behind squash s invincible champion and sport s greatest unbeaten run gilmour rod amazon sg books

jahangir khan 555 the untold story behind squash s invincible - Jun 13 2023

web nov 11 2016 jahangir khan s legendary run of unbeaten squash matches in the 1980s is chronicled in a new book

jahangir khan 555 the untold story behind squash s invincible champion sport s greatest

555 the untold story behind squash s invincible champion jahangir khan - Jul 14 2023

web record breaking squash player jahangir khan who won 555 consecutive competitive matches joined the likes of sachin tendulkar mutiah muralitharan ms dhoni in receiving the honour of outstanding achievement in sport award at the 8th edition of the asian awards staged at london hilton park lane

pdf read jahangir khan 555 the untold story behind squash - Feb 26 2022

web link download agfile abebook cc b01mtmob46 description jahangir khan 555 the untold story behind squash s invincible champion and sport s

jahangir khan 555 the untold story behind squash s invincible - Feb 09 2023

web fascinating detailed account of the career of one of the greatest sportsmen in human history squash legend jahangir khan and his unbeaten run of 555 consecutive professional wins what drove him to the heights he achieved and