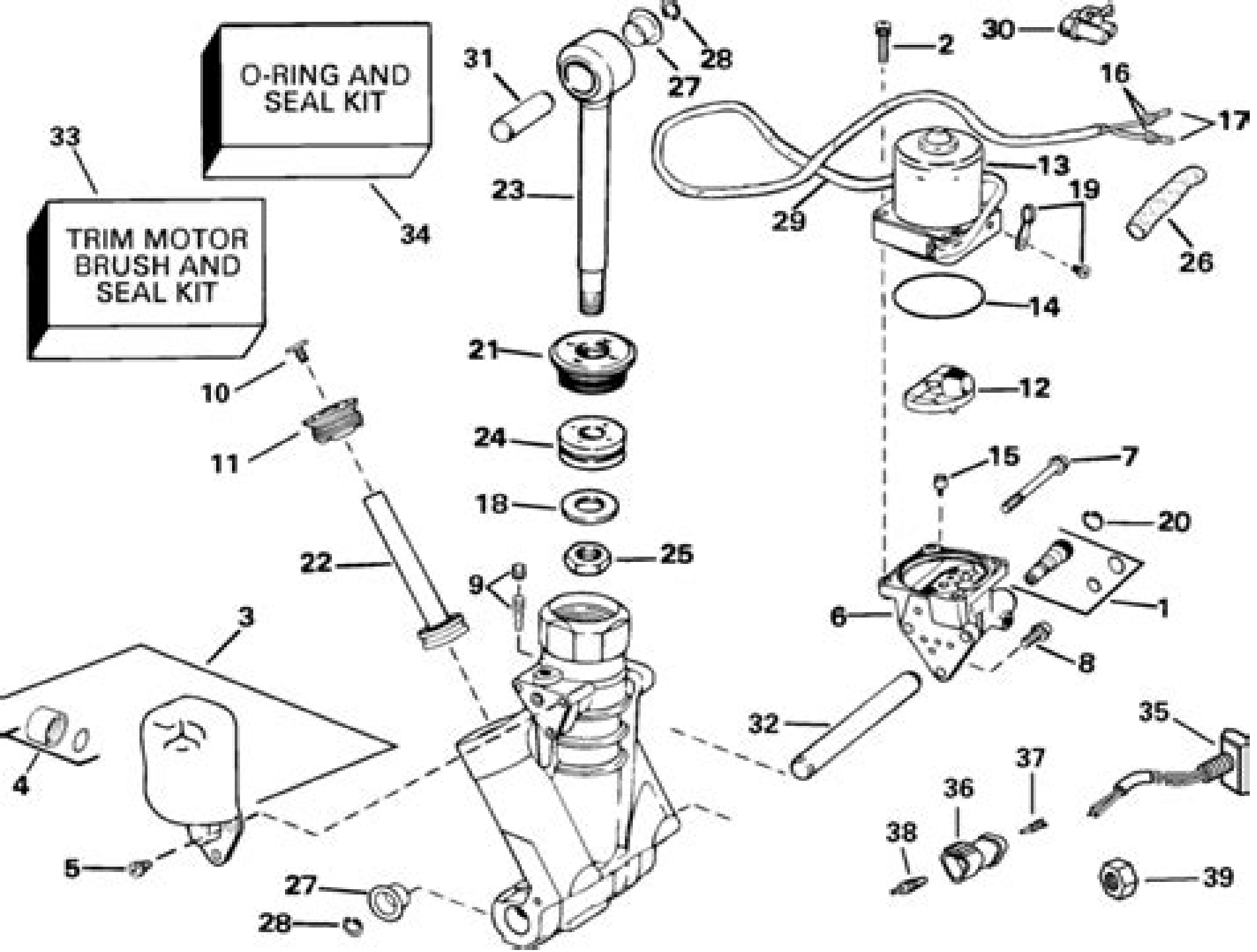


O-RING AND
SEAL KIT

TRIM MOTOR
BRUSH AND
SEAL KIT



Mercury Trim Tilt Manual

O García



Mercury Trim Tilt Manual:

Mercury Trim Tilt Manual Book Review: Unveiling the Power of Words

In a world driven by information and connectivity, the power of words has become more evident than ever. They have the ability to inspire, provoke, and ignite change. Such may be the essence of the book **Mercury Trim Tilt Manual**, a literary masterpiece that delves deep to the significance of words and their affect our lives. Written by a renowned author, this captivating work takes readers on a transformative journey, unraveling the secrets and potential behind every word. In this review, we shall explore the book's key themes, examine its writing style, and analyze its overall impact on readers.

<https://staging.conocer.cide.edu/public/detail/Documents/manual%20samsung%20tv%20series%206.pdf>

Table of Contents Mercury Trim Tilt Manual

1. Understanding the eBook Mercury Trim Tilt Manual
 - The Rise of Digital Reading Mercury Trim Tilt Manual
 - Advantages of eBooks Over Traditional Books
2. Identifying Mercury Trim Tilt Manual
 - Exploring Different Genres
 - Considering Fiction vs. Non-Fiction
 - Determining Your Reading Goals
3. Choosing the Right eBook Platform
 - Popular eBook Platforms
 - Features to Look for in an Mercury Trim Tilt Manual
 - User-Friendly Interface
4. Exploring eBook Recommendations from Mercury Trim Tilt Manual
 - Personalized Recommendations
 - Mercury Trim Tilt Manual User Reviews and Ratings
 - Mercury Trim Tilt Manual and Bestseller Lists
5. Accessing Mercury Trim Tilt Manual Free and Paid eBooks

- Mercury Trim Tilt Manual Public Domain eBooks
 - Mercury Trim Tilt Manual eBook Subscription Services
 - Mercury Trim Tilt Manual Budget-Friendly Options
6. Navigating Mercury Trim Tilt Manual eBook Formats
- ePub, PDF, MOBI, and More
 - Mercury Trim Tilt Manual Compatibility with Devices
 - Mercury Trim Tilt Manual Enhanced eBook Features
7. Enhancing Your Reading Experience
- Adjustable Fonts and Text Sizes of Mercury Trim Tilt Manual
 - Highlighting and Note-Taking Mercury Trim Tilt Manual
 - Interactive Elements Mercury Trim Tilt Manual
8. Staying Engaged with Mercury Trim Tilt Manual
- Joining Online Reading Communities
 - Participating in Virtual Book Clubs
 - Following Authors and Publishers Mercury Trim Tilt Manual
9. Balancing eBooks and Physical Books Mercury Trim Tilt Manual
- Benefits of a Digital Library
 - Creating a Diverse Reading Collection Mercury Trim Tilt Manual
10. Overcoming Reading Challenges
- Dealing with Digital Eye Strain
 - Minimizing Distractions
 - Managing Screen Time
11. Cultivating a Reading Routine Mercury Trim Tilt Manual
- Setting Reading Goals Mercury Trim Tilt Manual
 - Carving Out Dedicated Reading Time
12. Sourcing Reliable Information of Mercury Trim Tilt Manual
- Fact-Checking eBook Content of Mercury Trim Tilt Manual
 - Distinguishing Credible Sources
13. Promoting Lifelong Learning
- Utilizing eBooks for Skill Development

- Exploring Educational eBooks
14. Embracing eBook Trends
- Integration of Multimedia Elements
 - Interactive and Gamified eBooks

Mercury Trim Tilt Manual Introduction

In this digital age, the convenience of accessing information at our fingertips has become a necessity. Whether its research papers, eBooks, or user manuals, PDF files have become the preferred format for sharing and reading documents. However, the cost associated with purchasing PDF files can sometimes be a barrier for many individuals and organizations. Thankfully, there are numerous websites and platforms that allow users to download free PDF files legally. In this article, we will explore some of the best platforms to download free PDFs. One of the most popular platforms to download free PDF files is Project Gutenberg. This online library offers over 60,000 free eBooks that are in the public domain. From classic literature to historical documents, Project Gutenberg provides a wide range of PDF files that can be downloaded and enjoyed on various devices. The website is user-friendly and allows users to search for specific titles or browse through different categories. Another reliable platform for downloading Mercury Trim Tilt Manual free PDF files is Open Library. With its vast collection of over 1 million eBooks, Open Library has something for every reader. The website offers a seamless experience by providing options to borrow or download PDF files. Users simply need to create a free account to access this treasure trove of knowledge. Open Library also allows users to contribute by uploading and sharing their own PDF files, making it a collaborative platform for book enthusiasts. For those interested in academic resources, there are websites dedicated to providing free PDFs of research papers and scientific articles. One such website is Academia.edu, which allows researchers and scholars to share their work with a global audience. Users can download PDF files of research papers, theses, and dissertations covering a wide range of subjects. Academia.edu also provides a platform for discussions and networking within the academic community. When it comes to downloading Mercury Trim Tilt Manual free PDF files of magazines, brochures, and catalogs, Issuu is a popular choice. This digital publishing platform hosts a vast collection of publications from around the world. Users can search for specific titles or explore various categories and genres. Issuu offers a seamless reading experience with its user-friendly interface and allows users to download PDF files for offline reading. Apart from dedicated platforms, search engines also play a crucial role in finding free PDF files. Google, for instance, has an advanced search feature that allows users to filter results by file type. By specifying the file type as "PDF," users can find websites that offer free PDF downloads on a specific topic. While downloading Mercury Trim Tilt Manual free PDF files is convenient, its important to note that copyright laws must be respected. Always ensure that the PDF files you download are legally available

for free. Many authors and publishers voluntarily provide free PDF versions of their work, but it's essential to be cautious and verify the authenticity of the source before downloading Mercury Trim Tilt Manual. In conclusion, the internet offers numerous platforms and websites that allow users to download free PDF files legally. Whether it's classic literature, research papers, or magazines, there is something for everyone. The platforms mentioned in this article, such as Project Gutenberg, Open Library, Academia.edu, and Issuu, provide access to a vast collection of PDF files. However, users should always be cautious and verify the legality of the source before downloading Mercury Trim Tilt Manual any PDF files. With these platforms, the world of PDF downloads is just a click away.

FAQs About Mercury Trim Tilt Manual Books

How do I know which eBook platform is the best for me? Finding the best eBook platform depends on your reading preferences and device compatibility. Research different platforms, read user reviews, and explore their features before making a choice. Are free eBooks of good quality? Yes, many reputable platforms offer high-quality free eBooks, including classics and public domain works. However, make sure to verify the source to ensure the eBook credibility. Can I read eBooks without an eReader? Absolutely! Most eBook platforms offer web-based readers or mobile apps that allow you to read eBooks on your computer, tablet, or smartphone. How do I avoid digital eye strain while reading eBooks? To prevent digital eye strain, take regular breaks, adjust the font size and background color, and ensure proper lighting while reading eBooks. What the advantage of interactive eBooks? Interactive eBooks incorporate multimedia elements, quizzes, and activities, enhancing the reader engagement and providing a more immersive learning experience. Mercury Trim Tilt Manual is one of the best books in our library for free trial. We provide copy of Mercury Trim Tilt Manual in digital format, so the resources that you find are reliable. There are also many eBooks of related with Mercury Trim Tilt Manual. Where to download Mercury Trim Tilt Manual online for free? Are you looking for Mercury Trim Tilt Manual PDF? This is definitely going to save you time and cash in something you should think about. If you trying to find then search around for online. Without a doubt there are numerous these available and many of them have the freedom. However without doubt you receive whatever you purchase. An alternate way to get ideas is always to check another Mercury Trim Tilt Manual. This method for see exactly what may be included and adopt these ideas to your book. This site will almost certainly help you save time and effort, money and stress. If you are looking for free books then you really should consider finding to assist you try this. Several of Mercury Trim Tilt Manual are for sale to free while some are payable. If you arent sure if the books you would like to download works with for usage along with your computer, it is possible to download free trials. The free guides make it easy for someone to free access online library for download books to your device. You can get free download on free trial for lots of books categories.

Our library is the biggest of these that have literally hundreds of thousands of different products categories represented. You will also see that there are specific sites catered to different product types or categories, brands or niches related with Mercury Trim Tilt Manual. So depending on what exactly you are searching, you will be able to choose e books to suit your own need. Need to access completely for Campbell Biology Seventh Edition book? Access Ebook without any digging. And by having access to our ebook online or by storing it on your computer, you have convenient answers with Mercury Trim Tilt Manual To get started finding Mercury Trim Tilt Manual, you are right to find our website which has a comprehensive collection of books online. Our library is the biggest of these that have literally hundreds of thousands of different products represented. You will also see that there are specific sites catered to different categories or niches related with Mercury Trim Tilt Manual So depending on what exactly you are searching, you will be able to choose ebook to suit your own need. Thank you for reading Mercury Trim Tilt Manual. Maybe you have knowledge that, people have search numerous times for their favorite readings like this Mercury Trim Tilt Manual, but end up in harmful downloads. Rather than reading a good book with a cup of coffee in the afternoon, instead they juggled with some harmful bugs inside their laptop. Mercury Trim Tilt Manual is available in our book collection an online access to it is set as public so you can download it instantly. Our digital library spans in multiple locations, allowing you to get the most less latency time to download any of our books like this one. Merely said, Mercury Trim Tilt Manual is universally compatible with any devices to read.

Find Mercury Trim Tilt Manual :

[manual samsung tv series 6](#)

[manual stone engraving](#)

[manual samsung ace plus](#)

manual suzuki satria fu 150

[manual single stream waste sorting conveyor](#)

manual sony xplod 52wx4 espanol

[manual tasco 525 power telescope](#)

[manual repair to chevrolet cheyenne 1994](#)

manual service motor honda ohv

manual sony zs-rs09cp

[manual samsung mini galaxy gt-s5570](#)

[manual service seat ibiza iv](#)

[manual solution of treybal](#)

[manual sharp mx-m350n](#)

manual roland junodiportugues

Mercury Trim Tilt Manual :

category nekrasov nikolay imslp free sheet music pdf - Sep 22 2022

web nikolay nekrasov 10 december 1821 8 january 1878 alternative names transliterations Николай Алексеевич Некрасов nikolaj aleksejevič nekrasov nikolai alekseevich nekrasov nikolay alexeyevich nekrasov name in other languages

nikolay nekrasov wikipedia - Oct 04 2023

web nikolay alexeyevich nekrasov was born in nemyriv now in vinnytsia oblast ukraine in the bratslavsky uyezd of podolia governorate his father alexey sergeyevich nekrasov 1788 1862 was a descendant from russian landed gentry and an officer in the imperial russian army 4 there is some uncertainty as to his mother s origins

how poet nekrasov searched for happiness in russia - Apr 17 2022

web nekrasov himself was true to his convictions with many of his works highlighting the suffering of the russian people the russian people have endured enough he wrote in the poem railway

nekrasov wikipedia - Apr 29 2023

web nekrasov also nekrassov russian Некрасов or nekrasova feminine Некрасова is a russian surname notable people with the surname include aleksandr nekrasov 1883 1957 russian mathematician and academician alexander nekrasov disambiguation several people

nikolay nekrasov russiapedialiterature prominent russians rt - Feb 13 2022

web november 22 1821 january 8 1878 nikolay nekrasov one of russian poetry s most eloquent voices became a successful publisher and author of some of the most mellifluous verses about women nekrasov being the most influential literary entrepreneur of the day assembled works ranging from ethnography to fiction to literary criticism all

nekrasov definition meaning dictionary com - May 19 2022

web nekrasov definition nikolai alekseyevich nika'laɪ alɪk'sjeɪvɪtʃ 1821 77 russian poet who wrote chiefly about the sufferings of the peasantry see more

nekrassov wikiwand - Dec 26 2022

web nekrassov or the farce in eight scenes is a satirical drama written by jean paul sartre in 1955

nekrassov cyberlab sutd edu sg - Mar 17 2022

web nekrassov the poet of the people s sorrow whose muse of grief and vengeance has supremely dominated the minds of the

russian educated classes for the last half century is the sole and rightful heir of his two great predecessors pushkin and lermontov high density storage material analysis

[nekrassov anticommunist capers in a pièce à clefs sartre](#) - Nov 24 2022

web nekrassov toy with the members of the staff of the newspaper soir à paris but in turn the security police will make a puppet on a string out of him in order to smear the reputation of two progressive journalists at that moment georges alias nekrassov discovers that he is powerless to prevent them from pulling his strings and hav

[nikolai alekseevich nekrasov northwestern university](#) - Jul 21 2022

web 1821 born on country estate northeast of moscow to russian father and polish mother a fact long hidden learns love of poetry and awareness of the plight of the peasant from mother

[nikolai vissarionovich nekrasov wikipedia](#) - Oct 24 2022

web he was elected to the 3rd 1907 and 4th 1912 state dumas nekrasov was an active member of the irregular freemasonic lodge the grand orient of russia s peoples 1 he was the secretary general from 1912 to 1913 and again from 1914 to 1916 between 1909 and 1915 nekrasov was a member of the kadets central committee where he was

the peasant poems of nikolaj nekrasov jstor - Aug 22 2022

web the peasant poems of nikolaj nekrasov 161 ciyiho irjiohuith ai o camoi beah ty qnme sepha iynaa b nwunh hac nto ha holo paopmort ctahhifbi bcajiko npoaethnoi npomophanborii thli

[category nikolay nekrasov wikimedia commons](#) - Jan 27 2023

web category nikolay nekrasov Русский Некрасов Николай Алексеевич 1821 1878 русский поэт писатель и публицист english nikolay alexeyevich nekrasov 1821 1878 was a russian poet writer critic and publisher Čeština nikolaj alexejevič někrasov 1821 1878 byl ruský

nikolay alekseyevich nekrasov poems by the famous poet - Mar 29 2023

web poems by nikolay alekseyevich nekrasov nekrasov was a russian poet and journalist his first collection of poems dreams and sounds was published in 1840 his second collection the poems of nikolay nekrasov 1856 brought him great succes

who can be happy and free in russia nekrassov nicholas - Jun 19 2022

web sep 11 2007 nikolay alexeyevich nekrasov nicholas nekrassov in english 1821 1878 was a russian poet writer critic and publisher and an associate of vissarion belinsky nekrasov s earlier works from the 1850s such as his first big poem sasha deal with the challenges of russian life describing intellectuals and their never ending conflicts with

chairman of russia s oil major lukoil dies suddenly aged 66 - Jul 01 2023

web october 24 2023 5 42 am pdtupdated 10 days ago moscow oct 24 reuters vladimir nekrasov the chairman of russia s second largest oil producer lukoil lkoh mm has died suddenly at the age of

nikolay a nekrasov goodreads - Feb 25 2023

web nikolay alexeyevich nekrasov Николай Алексеевич Некрасов was a russian poet writer critic and publisher whose deeply compassionate poems about peasant russia won him dostoevsky s admiration and made him the hero of liberal and radical circles of russian intelligentsia as represented by vissarion belinsky and

lucoil chairman dies suddenly second in just over a year - Sep 03 2023

web oct 24 2023 london cnn lucoil russia s second largest oil company said tuesday its chairman had died suddenly at the age of 66 it is with deep regret that we announce the sudden passing of

nikolay alekseyevich nekrasov britannica - May 31 2023

web nikolay alekseyevich nekrasov born december 10 november 28 old style 1821 nemirov ukraine russian empire died january 8 1878 december 27 1877 st petersburg russia russian poet and journalist whose work centred on the theme of compassion for the sufferings of the peasantry nekrasov also sought to express the racy

nekrassov wikipedia - Aug 02 2023

web in nekrassov the reader can spectate several issues which exist in the philosophy of jean paul sartre the question of identity as georges fights with himself to decide which identity is the stronger nekrassov or georges is one of the key elements

powerforce toilet cleaner product safety data sheet - Mar 31 2022

web safety data sheet sds toilet cleaner e hygiene systems powerforce bathroom cleaner msds download health amp safety copyright our free pdf ebooks cover a wide range of subjects from science to literature

powerforce bathroom cleaner sds download isdss the knights of safety - Mar 11 2023

web msds details product name powerforce bathroom cleaner product code language english regulation ghs clp manufacturer aldi cas numbers 77 92 9 einec numbers 201 069 1 symbols download file download pdf view risk assessment *aldi stores material safety data sheet aldi* - Aug 16 2023

web material safety data sheet brand product name power force toilet cleaner gel 12 x 700ml 64 product code 41550 page 5 of 8 issue number 1 issue date 14 th november 2012 11 toxicological information no adverse health effects expected if the product is handled in accordance with this safety data sheet and the

safety data sheet - Jun 14 2023

web 1 identification of the material and supplier product name other names if applicable power force toilet cleaner gel 700ml pot pourri ocean pine product code 41550 barcode number 26158396 pot pourri 46158402 ocean 26158389 pine recommended use company name

powerforce kitchen cleaner 750ml aldi aldi groceries - Dec 28 2021

web for safety data sheet medical personnel only tel 0800 644 6090 uk 1800 844 910 ire further ingredient information
safetydatasheetsinfo.com cleanright.eu logos keep out of reach of children do not get in eyes do not ingest rinse hands after
use storage instructions store bottle upright brand name powerforce manufacturer

power force toilet cleaner gel msds msdsdigital.com - May 13 2023

web carefully review the msds below to see if it's the version you're looking for the new sds required by osha are being
added daily to check for a newer version of a safety data sheet find a sds from a different manufacture or search for an
additional sds use our free msds online database

powerforce toilet cleaner product safety data sheet - Aug 04 2022

web product safety evaluation handbook second edition sep 05 2021 provides comprehensive single source coverage of the
latest toxicity testing requirements and methods for personal care products industrial and

powerforce toilet cleaner product safety data sheet pdf - Jan 29 2022

web 2 powerforce toilet cleaner product safety data sheet 2021 07 04 project goals this 6th edition features updates
throughout to cover the latest developments in project management methodologies new chapter on project procurement
management and contracts an expansion of case study coverage throughout including those on the topic of

powerforce toilet cleaner product safety data sheet - Jul 15 2023

web material safety data sheet e hygiene systems may 10th 2018 material safety data sheet 1 identification of the product
and the for cleaning toilet bowls and killing germs company reckitt benckiser uk ltd

safety data sheet according to regulation reach sevron - Apr 12 2023

web name of product powerforce bathroom cleaner relevant identified uses of the substance or mixture and uses advised
against recommended intended purpose s lime remover for hard surfaces

aldi stores material safety data sheet aldi - Feb 27 2022

web material safety data sheet brand product name power force pro floor cleaner 750ml product code 7814 page 3 of 8 issue
number 1 issue date 02 nd may 2014 6 accidental release measures emergency procedures clean up as soon as possible
methods and materials for containment and clean up collect with absorbent

power force gel toilet cleaner 700ml aldi supermarkets - Sep 05 2022

web product description available in lavender bloom fresh blossom marine breeze oxy spring flower or lavender with colour
change with protexon surface protector to provide an invisible anti stain barrier between uses range and prices may vary by
store

aldi stores material safety data sheet aldi - Dec 08 2022

web safety phrase in case of accident or if you feel unwell seek medical advice immediately avoid release to the environment

refer to special instructions safety data sheet avoid contact with skin and eyes wear suitable protective clothing gloves and eye face protection 4 first aid measures

[powerforce toilet cleaner product safety data sheet - Oct 06 2022](#)

web powerforce toilet cleaner product safety data sheet may 12th 2018 safety data sheet powerforce 1 product name powerforce identified uses cleaning agent end of safety data sheet title product safety data sheet cleaning supplies tools may 9th 2018 product safety data sheet product use surface

powerforce multi action cleaner hard surface cleaner sevron - Jul 03 2022

web emergency advice phone 49 0 202 6471 300 this number is only available at office times 2 hazards identification r phrases no 3 composition information on ingredients description coloured and perfumed liquid cleaner hazardous ingredients cas no 122 99 6 497 19 8 85711 69 9 ec no 204 589 7 207 838 8 polymer 288 330 3

[safety data sheets aldi supermarkets - May 01 2022](#)

web safety data sheets a safety data sheet sds is a document that provides information on the properties of potentially hazardous chemical the sds should always be referred to when assessing risks in the workplace and includes information on the identity of the chemical health and physicochemical hazards safe handling and storage procedures

[safety data sheet aldi supermarkets - Feb 10 2023](#)

web health and safety regulations australia product name 1 sargents road minchinbury nsw 2770 abn product code company name recommended use 1 identification of the material and supplier power force multipurpose cleaner multipurpose cleaning agent for kitchen and bathroom applications telephone number

powerforce toilet cleaner product safety data sheet pdf full - Jun 02 2022

web powerforce toilet cleaner product safety data sheet pdf pages 2 6 powerforce toilet cleaner product safety data sheet pdf upload jason j williamson 2 6 downloaded from blog watchshopping com on september 1 2023 by jason j williamson

aldi stores material safety data sheet pdf4pro - Nov 07 2022

web aldi stores material safety data sheet brand product name power force toilet cleaner bleach 12 x 700ml 64 product code 41521 page 1 of 8 issue number 1 issue date 14th november 2012 1 identification of the material and supplier power force lemon bleach toilet cleaner 700ml

[powerforce bathroom cleaner msds download sevron safety - Jan 09 2023](#)

web msds details product name powerforce bathroom cleaner product code language english regulation ghs clp manufacturer aldi cas numbers 77 92 9 einec numbers 201 069 1

nikolsdorfer wande und das labyrinth 1 10000 wand copy - Oct 06 2022

web jul 5 2023 nikolsdorfer wande und das labyrinth 1 10000 wand 1 3 downloaded from uniport edu ng on july 5 2023 by

quest nikolsdorfer wände und das labyrinth 1 10000 wand as recognized adventure as skillfully as experience virtually lesson amusement as with ease as concord can be gotten by just checking out a books nikolsdorfer wände

nikolsdorfer wände und das labyrinth 1 10000 gefalzt - May 13 2023

web gebiet nordrand festung königstein südrand harthenberg bielatalneidberg westrand struppensiedlung kirche langenhennersdorf ostrand quirl bielatalreichstein

nikolsdorfer wände und das labyrinth 1 10000 buch stapp - Apr 12 2023

web gebiet nordrand festung königstein südrand harthenberg bielatalneidberg westrand struppensiedlung kirche langenhennersdorf ostrand quirl bielatalreichstein

free nikolsdorfer wände und das labyrinth 1 10000 wand - Mar 31 2022

web sicher denn das magische labyrinth des dädalus hat einen geheimen ausgang mitten im camp nicht auszudenken was passiert wenn der titan und seine verbündeten den weg dorthin finden percy und seine freunde müssen das unbedingt verhindern unerschrocken treten sie eine reise ins unbekannte an hinunter in das unterirdische labyrinth das

nikolsdorfer wände und das labyrinth 1 10000 wand copy - Aug 04 2022

web 1 nikolsdorfer wände und das labyrinth 1 10000 wand english and german nov 28 2022 complete dictionary of the german english languages jan 31 2023 die auserwählten im labyrinth jan 07 2021 band 1 im labyrinth er heisst thomas an mehr kann er sich nicht erinnern und er ist an einem

nikolsdorfer wände und das labyrinth 1 10000 wand pdf - Feb 10 2023

web have look hundreds times for their chosen novels like this nikolsdorfer wände und das labyrinth 1 10000 wand but end up in malicious downloads rather than enjoying a good book with a cup of coffee in the afternoon instead they juggled with some infectious virus inside their laptop nikolsdorfer wände und das labyrinth 1 10000 wand is

nikolsdorfer wände und das labyrinth 1 10000 wand 2023 - Nov 07 2022

web 1 nikolsdorfer wände und das labyrinth 1 10000 wand a practical dictionary of the english and german languages english and german apr 25 2022 a practical dictionary of the english and german languages may 27 2022 english german nov 28 2019 index catalogue of the library of the surgeon general s office united states army apr 01 2020

nikolsdorfer wände und das labyrinth 1 10000 wand pdf - Sep 05 2022

web nov 12 2022 nikolsdorfer wände und das labyrinth 1 10000 wand recognizing the pretension ways to get this books nikolsdorfer wände und das labyrinth 1 10000 wand is additionally useful you have remained in right site to begin getting this info acquire the nikolsdorfer wände und das labyrinth 1 10000 wand link that we give here and check

labyrinth und nikolsdorf geführte wanderung im elbsandsteingebirge - Jan 29 2022

web labyrinth und nikolsdorfer wände zwischen uranabbau und filmkulisse ganz klar schön und romantisch ist es an so

manchem ort im elbsandsteingebirge aber hier in den felswänden bei nikolsdorf und beim leupoldshainer labyrinth bekommen sie so richtig das gefühl im land der kleinen hobbits unterwegs zu sein

nikolsdorfer wände und das labyrinth 1 10000 wanderkarte der - Mar 11 2023

web jun 16 2023 nikolsdorfer wände und das labyrinth 1 10000 wanderkarte der sächsischen schweiz die verborgene sächsische schweiz by rolf böhm nikolsdorfer wände und das labyrinth 1 10000 wanderkarte der sächsischen schweiz die verborgene sächsische schweiz böhm rolf isbn 9783910181175 kostenloser versand für alle bücher

nikolsdorfer wände und das labyrinth 1 10000 wand book - Dec 08 2022

web 1 nikolsdorfer wände und das labyrinth 1 10000 wand the labyrinth of dreaming books nov 05 2020 zamonias greatest writer investigates a mystery in a shadowy book metropolis in this epic adventure by the author of the alchemists apprentice it has been more than two hundred years since bookholm was destroyed by a devastating

entlang der nikolsdorfer wände und zum felselabyrinth - Aug 16 2023

web aug 10 2023 wanderkarte der sächsischen schweiz nikolsdorfer wände und das labyrinth 1 10 000 dr ing rolf böhm bad schandau wander und radwanderkarte nr 10 vordere sächsische schweiz stadt wehlen kurort rathen hohnstein königstein gohrisch 1 15 000 sachsen kartographie gmbh dresden

nikolsdorfer wände und das labyrinth 1 10000 wand pdf - Jan 09 2023

web jun 18 2023 nikolsdorfer wände und das labyrinth 1 10000 wand 1 5 downloaded from uniport.edu.ng on june 18 2023 by guest nikolsdorfer wände und das labyrinth 1 10000 wand as recognized adventure as capably as experience roughly lesson amusement as without difficulty as promise can be gotten by just checking out a books

nikolsdorfer wände und das labyrinth 1 10000 wand copy - Jun 02 2022

web nov 21 2022 nikolsdorfer wände und das labyrinth 1 10000 wand 1 1 downloaded from 198.58.106.42 on november 21 2022 by guest nikolsdorfer wände und das labyrinth 1 you have remained in right site to start getting this info acquire the nikolsdorfer wände und das labyrinth 1 10000 wand member that we have the funds

nikolsdorfer wände und das labyrinth 1 10000 wand download - Feb 27 2022

web das labyrinth 1 10000 wand but end stirring in harmful downloads rather than enjoying a fine book similar to a mug of coffee in the afternoon instead they juggled like some harmful virus inside their computer

nikolsdorfer wände und das labyrinth 1 10000 wand pdf article - Dec 28 2021

web nikolsdorfer wände und das labyrinth 1 10000 wand pdf 3 12 downloaded from id.startup.network on january 21 2023 by guest nebenflüsse haben sich in jahrmillionen in das sandsteinmassiv eingefressen und ein weltweit einmaliges fels und waldlabyrinth geschaffen ein guter teil ist heute nationalpark unsere 35 wanderungen

wanderkarte nikolsdorfer wände und das labyrinth 1 10000 - Jun 14 2023

web beschreibung die verborgene sächsische schweiz die gegend der nikolsdorfer wände ist einer der romantischsten winkel des elbsandsteins etwas abgelegen und wegen der vielen höhlen grotten und labyrinth auch ein bisschen ein gebiet zum wandern mit kindern die titelkartusche hat wieder der sebnitzer maler und grafiker hansjörg hübler

amazon de kundenrezensionen nikolsdorfer wände und das labyrinth 1 - May 01 2022

web finde hilfreiche kundenrezensionen und rezensionsbewertungen für nikolsdorfer wände und das labyrinth 1 10000

wanderkarte der sächsischen schweiz die verborgene sächsische schweiz auf amazon de

nikolsdorfer wände und das labyrinth 1 10000 wanderkarte der - Jul 15 2023

web nikolsdorfer wände und das labyrinth 1 10000 wanderkarte der sächsischen schweiz die verborgene sächsische schweiz böhm rolf isbn 9783910181175 kostenloser versand für alle bücher mit versand und verkauf duch amazon

nikolsdorfer wände und das labyrinth 1 10000 wand copy ftp - Jul 03 2022

web 2 nikolsdorfer wände und das labyrinth 1 10000 wand 2023 08 15 nikolsdorfer wände und das labyrinth 1 10000 wand downloaded from ftp themontcalmclub com by guest mathias cooley sächsische schweiz bruckmann verlag the study of two nineteenth century priests who tried to transform their church through a new formulations