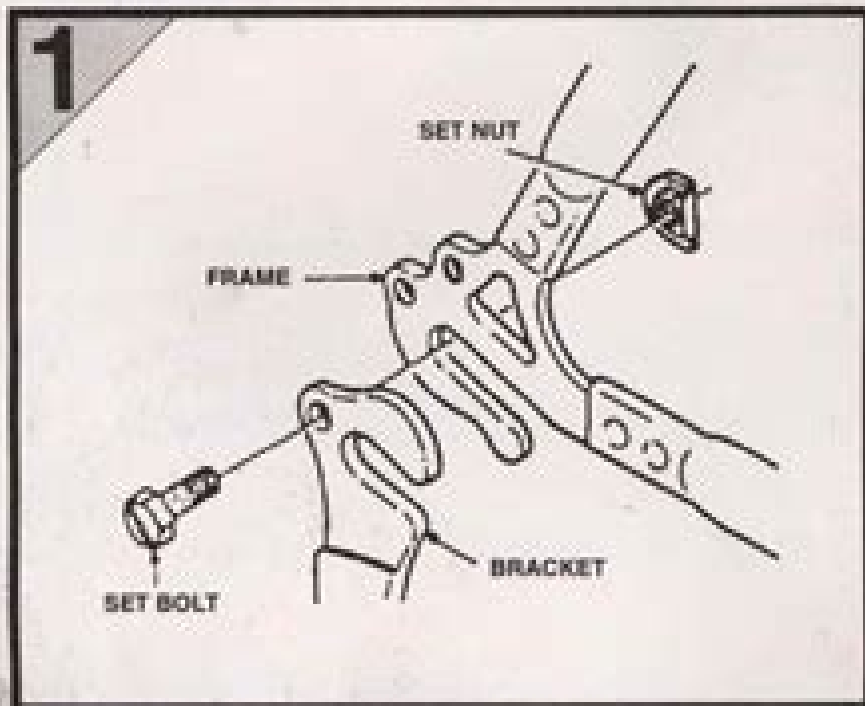
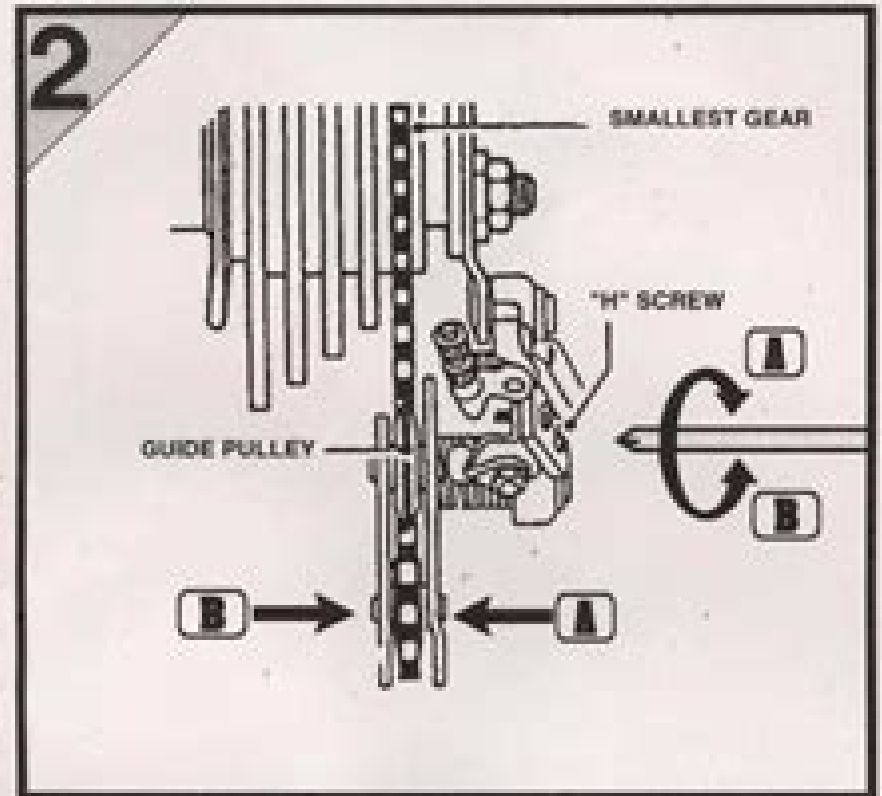


Rear Derailleur Installation Instructions

Assembly to frame



Stroke Adjustment at H (top) Side



Use the "H" screw to adjust so that the guide pulley moves to directly below the smallest gear.

Falcon Rear Derailleur Manual Sales

Yicheng Fang



Falcon Rear Derailleur Manual Sales:

Ignite the flame of optimism with Crafted by is motivational masterpiece, Fuel Your Spirit with **Falcon Rear Derailleur Manual Sales** . In a downloadable PDF format (Download in PDF: *), this ebook is a beacon of encouragement. Download now and let the words propel you towards a brighter, more motivated tomorrow.

<https://staging.conocer.cide.edu/About/Resources/HomePages/mac%20manual%20update.pdf>

Table of Contents Falcon Rear Derailleur Manual Sales

1. Understanding the eBook Falcon Rear Derailleur Manual Sales
 - The Rise of Digital Reading Falcon Rear Derailleur Manual Sales
 - Advantages of eBooks Over Traditional Books
2. Identifying Falcon Rear Derailleur Manual Sales
 - Exploring Different Genres
 - Considering Fiction vs. Non-Fiction
 - Determining Your Reading Goals
3. Choosing the Right eBook Platform
 - Popular eBook Platforms
 - Features to Look for in an Falcon Rear Derailleur Manual Sales
 - User-Friendly Interface
4. Exploring eBook Recommendations from Falcon Rear Derailleur Manual Sales
 - Personalized Recommendations
 - Falcon Rear Derailleur Manual Sales User Reviews and Ratings
 - Falcon Rear Derailleur Manual Sales and Bestseller Lists
5. Accessing Falcon Rear Derailleur Manual Sales Free and Paid eBooks
 - Falcon Rear Derailleur Manual Sales Public Domain eBooks
 - Falcon Rear Derailleur Manual Sales eBook Subscription Services
 - Falcon Rear Derailleur Manual Sales Budget-Friendly Options
6. Navigating Falcon Rear Derailleur Manual Sales eBook Formats

- ePub, PDF, MOBI, and More
 - Falcon Rear Derailleur Manual Sales Compatibility with Devices
 - Falcon Rear Derailleur Manual Sales Enhanced eBook Features
7. Enhancing Your Reading Experience
 - Adjustable Fonts and Text Sizes of Falcon Rear Derailleur Manual Sales
 - Highlighting and Note-Taking Falcon Rear Derailleur Manual Sales
 - Interactive Elements Falcon Rear Derailleur Manual Sales
 8. Staying Engaged with Falcon Rear Derailleur Manual Sales
 - Joining Online Reading Communities
 - Participating in Virtual Book Clubs
 - Following Authors and Publishers Falcon Rear Derailleur Manual Sales
 9. Balancing eBooks and Physical Books Falcon Rear Derailleur Manual Sales
 - Benefits of a Digital Library
 - Creating a Diverse Reading Collection Falcon Rear Derailleur Manual Sales
 10. Overcoming Reading Challenges
 - Dealing with Digital Eye Strain
 - Minimizing Distractions
 - Managing Screen Time
 11. Cultivating a Reading Routine Falcon Rear Derailleur Manual Sales
 - Setting Reading Goals Falcon Rear Derailleur Manual Sales
 - Carving Out Dedicated Reading Time
 12. Sourcing Reliable Information of Falcon Rear Derailleur Manual Sales
 - Fact-Checking eBook Content of Falcon Rear Derailleur Manual Sales
 - Distinguishing Credible Sources
 13. Promoting Lifelong Learning
 - Utilizing eBooks for Skill Development
 - Exploring Educational eBooks
 14. Embracing eBook Trends
 - Integration of Multimedia Elements
 - Interactive and Gamified eBooks

Falcon Rear Derailleur Manual Sales Introduction

Falcon Rear Derailleur Manual Sales Offers over 60,000 free eBooks, including many classics that are in the public domain. Open Library: Provides access to over 1 million free eBooks, including classic literature and contemporary works. Falcon Rear Derailleur Manual Sales Offers a vast collection of books, some of which are available for free as PDF downloads, particularly older books in the public domain. Falcon Rear Derailleur Manual Sales : This website hosts a vast collection of scientific articles, books, and textbooks. While it operates in a legal gray area due to copyright issues, its a popular resource for finding various publications. Internet Archive for Falcon Rear Derailleur Manual Sales : Has an extensive collection of digital content, including books, articles, videos, and more. It has a massive library of free downloadable books. Free-eBooks Falcon Rear Derailleur Manual Sales Offers a diverse range of free eBooks across various genres. Falcon Rear Derailleur Manual Sales Focuses mainly on educational books, textbooks, and business books. It offers free PDF downloads for educational purposes. Falcon Rear Derailleur Manual Sales Provides a large selection of free eBooks in different genres, which are available for download in various formats, including PDF. Finding specific Falcon Rear Derailleur Manual Sales, especially related to Falcon Rear Derailleur Manual Sales, might be challenging as theyre often artistic creations rather than practical blueprints. However, you can explore the following steps to search for or create your own Online Searches: Look for websites, forums, or blogs dedicated to Falcon Rear Derailleur Manual Sales, Sometimes enthusiasts share their designs or concepts in PDF format. Books and Magazines Some Falcon Rear Derailleur Manual Sales books or magazines might include. Look for these in online stores or libraries. Remember that while Falcon Rear Derailleur Manual Sales, sharing copyrighted material without permission is not legal. Always ensure youre either creating your own or obtaining them from legitimate sources that allow sharing and downloading. Library Check if your local library offers eBook lending services. Many libraries have digital catalogs where you can borrow Falcon Rear Derailleur Manual Sales eBooks for free, including popular titles. Online Retailers: Websites like Amazon, Google Books, or Apple Books often sell eBooks. Sometimes, authors or publishers offer promotions or free periods for certain books. Authors Website Occasionally, authors provide excerpts or short stories for free on their websites. While this might not be the Falcon Rear Derailleur Manual Sales full book , it can give you a taste of the authors writing style. Subscription Services Platforms like Kindle Unlimited or Scribd offer subscription-based access to a wide range of Falcon Rear Derailleur Manual Sales eBooks, including some popular titles.

FAQs About Falcon Rear Derailleur Manual Sales Books

What is a Falcon Rear Derailleur Manual Sales PDF? A PDF (Portable Document Format) is a file format developed by Adobe that preserves the layout and formatting of a document, regardless of the software, hardware, or operating system

used to view or print it. **How do I create a Falcon Rear Derailleur Manual Sales PDF?** There are several ways to create a PDF: Use software like Adobe Acrobat, Microsoft Word, or Google Docs, which often have built-in PDF creation tools. Print to PDF: Many applications and operating systems have a "Print to PDF" option that allows you to save a document as a PDF file instead of printing it on paper. Online converters: There are various online tools that can convert different file types to PDF. **How do I edit a Falcon Rear Derailleur Manual Sales PDF?** Editing a PDF can be done with software like Adobe Acrobat, which allows direct editing of text, images, and other elements within the PDF. Some free tools, like PDFescape or Smallpdf, also offer basic editing capabilities. **How do I convert a Falcon Rear Derailleur Manual Sales PDF to another file format?** There are multiple ways to convert a PDF to another format: Use online converters like Smallpdf, Zamzar, or Adobe Acrobat's export feature to convert PDFs to formats like Word, Excel, JPEG, etc. Software like Adobe Acrobat, Microsoft Word, or other PDF editors may have options to export or save PDFs in different formats. **How do I password-protect a Falcon Rear Derailleur Manual Sales PDF?** Most PDF editing software allows you to add password protection. In Adobe Acrobat, for instance, you can go to "File" -> "Properties" -> "Security" to set a password to restrict access or editing capabilities. Are there any free alternatives to Adobe Acrobat for working with PDFs? Yes, there are many free alternatives for working with PDFs, such as: LibreOffice: Offers PDF editing features. PDFsam: Allows splitting, merging, and editing PDFs. Foxit Reader: Provides basic PDF viewing and editing capabilities. How do I compress a PDF file? You can use online tools like Smallpdf, ILovePDF, or desktop software like Adobe Acrobat to compress PDF files without significant quality loss. Compression reduces the file size, making it easier to share and download. Can I fill out forms in a PDF file? Yes, most PDF viewers/editors like Adobe Acrobat, Preview (on Mac), or various online tools allow you to fill out forms in PDF files by selecting text fields and entering information. Are there any restrictions when working with PDFs? Some PDFs might have restrictions set by their creator, such as password protection, editing restrictions, or print restrictions. Breaking these restrictions might require specific software or tools, which may or may not be legal depending on the circumstances and local laws.

Find Falcon Rear Derailleur Manual Sales :

[mac manual update](#)

[m14 5 matme sptz2](#)

[mac pro manual early 2009](#)

[mac os x unix 101 byte sized projects adrian mayo](#)

[m13 5 matsd sp1 eng tz1 xx markscheme](#)

[m1204a user manual](#)

[m5r2 manual transmission parts](#)

[macbook battery not charging no led](#)

[m09 3 busmt hp2 spa tz0 xx](#)

macaroni and cheese recipe winner

mac cube manual

macbook pro 15 mid 2010 manual

m tech ssp exam time table for 2014 2015

m14 3 busmt hp2 eng tz0 xx answer key

m13 4 chemi spm eng tzms

Falcon Rear Derailleur Manual Sales :

asian arts and crafts for creative kids tea ceremony explore - Jun 01 2022

web the asian arts crafts for creative kids series is the first series aimed at readers ages 7 12 that provides a fun and educational introduction to asian culture and art through hands on projects readers will explore each art engaging in activities to gain a better understanding of each form

tea ceremony asian arts and crafts for creative kids - May 12 2023

web aug 7 2012 the asian arts crafts for creative kids series is the first series aimed at readers ages 7 12 that provides a fun and educational introduction to asian culture and art through hands on projects readers will explore each art engaging in activities to gain a better understanding of each form

[tea ceremony asian arts and crafts for creative kids](#) - Jul 02 2022

web jun 14 2018 amazon [tea ceremony asian arts and crafts for creative kids](#) amazon sato shozo [amazon](#)

tea ceremony asian arts and crafts for creative kids english - Apr 30 2022

web achetez et téléchargez ebook tea ceremony asian arts and crafts for creative kids english edition boutique kindle social science amazon fr

tea ceremony asian arts crafts for creative kids series - Mar 10 2023

web tea ceremony asian arts crafts for creative kids series explore the unique japanese tradition of sharing tea asian arts and crafts for creative kids shozo sato amazon co uk books

tea ceremony asian arts and crafts for creative kids google - Apr 11 2023

web tea ceremony explore the unique japanese tradition of sharing tea is an exciting and fun way to introduce asian culture

to kids readers will learn all the steps for performing a traditional
tea ceremony explore the unique japanese tradition of sharing tea - Jul 14 2023

web tea ceremony explore the unique japanese tradition of sharing tea asian arts and crafts for creative kids shozo sato
amazon com tr

tea ceremony asian arts and crafts for creative kids google - Jun 13 2023

web tea ceremony asian arts and crafts for creative kids ebook written by shozo sato read this book using google play books
app on your pc android ios devices download for offline

tea ceremony asian arts and crafts for creative kids drive - Feb 26 2022

web tea ceremony asian arts and crafts for creative kids is available in our book collection an online access to it is set as public
so you can get it instantly our digital library spans in multiple locations allowing you to get the most less

tea ceremony asian arts and crafts for creative kids - Feb 09 2023

web the asian arts crafts for creative kids series is the first series aimed at readers ages 7 12 that provides a fun and
educational introduction to asian culture and art through hands on projects readers will explore each art engaging in
activities to gain a better understanding of each form

tea ceremony asian arts and crafts for creative kids series - Dec 07 2022

web aug 22 2017 know the proper technique for whipping tea and the different kinds of tea used the asian arts crafts for
creative kids series is the first series aimed at readers ages 7 12 that provides a fun and educational introduction to asian
culture and art through hands on projects readers will explore each art engaging in activities to gain

tea ceremony asian arts and crafts for creative kids english edition - Aug 03 2022

web aug 7 2012 the asian arts crafts for creative kids series is the first series aimed at readers ages 7 12 that provides a fun
and educational introduction to asian culture and art through hands on projects readers will explore each art engaging in
activities to gain a better understanding of each form

tea ceremony explore the unique japanese tradition of sharing tea - Jan 28 2022

web dec 20 2021 tea ceremony explore the unique japanese tradition of sharing tea asian arts and crafts for creative kids
shozo sato

[tea ceremony asian arts and crafts for creative kids pdf](#) - Aug 15 2023

web with this book kids will be able to perform the traditional japanese tea ceremony at home through easy to follow
instructions explore all the elements of an authentic japanese tea ceremony including the tea utensils such as the scoop
whisk bowl and fukasa silk cloth used for cleaning utensils know the proper technique for whipping tea

[tea ceremony asian arts and crafts for creative kids](#) - Jan 08 2023

web abebooks com tea ceremony asian arts and crafts for creative kids 9780804835008 by sato shozo and a great selection of similar new used and collectible books available now at great prices tea ceremony asian arts and crafts for creative kids sato shozo 9780804835008 abebooks

[tea ceremony asian arts and crafts for creative k pdf monograf](#) - Mar 30 2022

web tea ceremony asian arts and crafts for creative k 1 tea ceremony asian arts and crafts for creative k this is likewise one of the factors by obtaining the soft documents of this tea ceremony asian arts and crafts for creative k by online you might not require more era to spend to go to the book commencement as competently as search for them

tea ceremony on apple books - Nov 06 2022

web tea ceremony explore the unique japanese tradition of sharing tea is an exciting and fun way to introduce asian culture to kids readers will learn all the steps for performing a traditional japanese tea ceremony

tea ceremony asian arts and crafts for creative kids - Sep 04 2022

web with this book kids will be able to perform the traditional japanese tea ceremony at home through easy to follow instructions explore all the elements of an authentic japanese tea ceremony including the tea utensils such as the scoop whisk bowl and fukasa silk cloth used for cleaning utensils know the proper technique for whipping tea

tea ceremony kimchi making klook - Dec 27 2021

web begin by attending a tea ceremony where your friendly guide will explain the etiquette which has recently enjoyed a revival in modern society afterwards try on a colorful hanbok the traditional korean clothing dating from the joseon period and take the opportunity to pose for a photo say kimchi next get stuck in to your kimchi

[tea ceremony asian arts and crafts for creative kids ebook](#) - Oct 05 2022

web the asian arts crafts for creative kids series is the first series aimed at readers ages 7 12 that provides a fun and educational introduction to asian culture and art through hands on projects readers will explore each art engaging in activities to gain a better understanding of each form

chevrolet captiva workshop service repair manual - Dec 24 2022

web from changing a wiper blade to a full engine rebuild every procedure is covered with simple step by step illustrated instructions 14 99 29 99 in stock chevrolet captiva workshop service repair manual pre installed on a usb stick quantity chevrolet captiva workshop service repair manual pre installed on a usb stick

chevrolet captiva repair service manuals 42 pdf s - Sep 01 2023

web we have 42 chevrolet captiva manuals covering a total of 14 years of production in the table below you can see 0 captiva workshop manuals 0 captiva owners manuals and 20 miscellaneous chevrolet captiva downloads our most popular manual is the chevrolet captiva sport wiring diagram 2014 2014

[manuals and guides vehicle support chevy chevrolet](#) - Feb 11 2022

web manuals and other helpful guides for your vehicle view online or if available order printed copies for an additional fee explore chevy vehicle s owner manuals and guides to help guide you with understanding your chevy vehicle

chevrolet captiva owners service manuals user guides - May 17 2022

web chevrolet captiva service repair manual air bags air conditioning heater battery replacement body frame brakes cooling system electrical exhaust interior panels maintenance serpentine belt steering suspension tires wheel alignment

chevrolet captiva service repair manual chevrolet captiva - Oct 22 2022

web chevrolet chevy captiva sport 2008 2010 service repair workshop manual download pdf 2010 2016 chevrolet captiva sport service and repair manual 2010 chevrolet captiva 1st gen service and repair manual 2006 2010 chevrolet captiva service and repair manual saturn vue chevrolet captiva sport repair manual 2008 2011

[chevrolet captiva service repair manuals on motor era](#) - Nov 22 2022

web complete list of chevrolet captiva auto service repair manuals chevrolet captiva 2007 service repair manual chevrolet captiva 2007 service repair manual chevrolet captiva 2007 2008 2009 2010 factory service manual 2007 chevrolet captiva 1st gen service and repair manual chevy captiva 2007 2010 factory repair service manual

chevrolet captiva service repair workshop manuals - Apr 15 2022

web mar 7 2021 our captiva chevrolet workshop manuals contain in depth maintenance service and repair information get your emanual now

chevrolet captiva service manual rar 75 6 mb repair manuals - Jun 17 2022

web chevrolet captiva service manual rar chevrolet captiva service manual to open this file use application winrar rarlab com download htm repair manuals english chevrolet captiva i c100 c140 75 6 mb

[chevrolet captiva c 100 c 140 service manual repair manual](#) - Sep 20 2022

web english service manual repair manual to vehicles chevrolet captiva c 100 c 140 instant download language english format zip file size 188 0 mb compatibility all versions of windows mac ios bb android etc printable yes no shipping costs instant downloadable manual

[chevrolet captiva service manual maintenance and repair](#) - Apr 27 2023

web 1 turn the ignition switch to the on position at 5 second intervals attention do not turn the ignition key to the start position this may damage the injection pump 2 turn the ignition switch to off and wait 3 seconds

chevrolet captiva manual pdf download manualslib - Jun 29 2023

web chevrolet captiva manual model introduction training for approved motor body repairers also see for captiva owner s manual 348 pages specifications 4 pages manuals 380 pages 1 2 table of contents 3 4 5 6 7 8 9 10

chevrolet captiva service repair manuals free pdf - Mar 27 2023

web this manual has been prepared for the use of all service technician engaged in the body repair service contents preface general information body hardware and free online pdf for chevrolet captiva workshop manuals chevrolet captiva oem repair manuals chevrolet captiva shop manuals chevrolet captiva electrical

chevrolet captiva 2006 2011 workshop repair manual download - Feb 23 2023

web chevrolet captiva workshop repair manual download official chevrolet captiva manual used by all chevrolet main dealership garages mechanics and independent garages worldwide covers years 2006 2011 language english compatibility compatible with all window mac linux operating systems instant download

download 2011 2016 chevrolet captiva repair manual dardoor - Aug 20 2022

web oct 13 2023 download 2011 2016 chevrolet captiva repair manual 16 90 this is a free and genuine oem factory service and workshop repair manual for the 2011 2016 chevrolet captiva in a simple pdf file format categories captiva chevrolet

[chevrolet captiva pdf workshop repair manual download](#) - Jan 25 2023

web chevrolet captiva workshop repair manual 2006 to 2011 chevrolet captiva workshop manual and electrical diagrams the same chevrolet captiva repair manual as used by chevrolet garages covers models chevrolet captiva petrol

chevrolet captiva free workshop and repair manuals - Oct 02 2023

web chevrolet captiva workshop repair and owners manuals for all years and models free pdf download for thousands of cars and trucks

download 2006 2017 chevrolet captiva repair manual dardoor - Jul 19 2022

web oct 24 2023 download 2006 2017 chevrolet captiva repair manual 19 90 this is the original oem workshop document for the 2006 2017 chevrolet captiva repair manual first generation c100 c140 in pdf format categories chevrolet captiva

2015 chevrolet captiva workshop and repair manual - Mar 15 2022

web description 2015 chevrolet captiva service and repair manual table of contents accessories equipment body frame brakes driveline axles electrical engine engine performance general information hvac lights maintenance restraints steering suspension front rear transmission wiring and much more some don t apply to this

[chevrolet captiva workshop manual free pdf download all car manuals](#) - May 29 2023

web chevrolet captiva factory workshop manual file size 174 4 mb file type zip containing pdf files manual type factory service manual workshop manual and owners manual for the chevrolet captiva built between 2006 and 2017 covers all aspects of vehicle repair maintenance rebuild overhaul and diagnostics advice

chevrolet captiva pdf workshop and repair manuals - Jul 31 2023

web chevrolet captiva pdf workshop and repair manuals wiring diagrams spare parts catalogue fault codes free download on

this page you can find and free download chevrolet captiva service workshop repair manuals and wiring diagrams

raw amateur models leigh vol 2 naked and nude tit - Feb 17 2022

web research institute in 1939 by mrs benjamin leigh smith for the first time chermshire s diaries are published in their entirety with the original photographs shown alongside

raw amateur models leigh vol 2 naked and nude tit - Aug 26 2022

web raw amateur models leigh vol 2 naked and nude tit can be taken as skillfully as picked to act jane eyre charlotte bronte 2021 01 07 primarily of the bildungsroman

raw amateur models leigh vol 2 naked and nude tit book - Apr 02 2023

web oct 10 2023 amateur models leigh vol 2 naked and nude tit a literary masterpiece penned with a renowned author readers set about a transformative journey unlocking

raw amateur models leigh vol 2 naked and nude tit pdf - Jan 31 2023

web jul 23 2023 this raw amateur models leigh vol 2 naked and nude tit as one of the most on the go sellers here will completely be along with the best options to review

raw amateur models leigh vol 2 naked and nude tit j - Mar 01 2023

web raw amateur models leigh vol 2 naked and nude tit raw amateur models leigh vol 2 naked and nude tit 3 downloaded from darelova com on 2023 07 25 by guest

raw amateur models leigh vol 2 naked and nude tit pdf - Jul 05 2023

web this raw amateur models leigh vol 2 naked and nude tit as one of the most on the go sellers here will definitely be in the course of the best options to review sustainable

raw amateur models leigh vol 2 naked and nude tit 2023 - Jun 04 2023

web raw amateur models leigh vol 2 naked and nude tit downloaded from store1 shops widebot net by guest mckayla efrain work brill leigh claire la berge

raw amateur models leigh vol 1 naked and nude tits - Sep 07 2023

web aug 31 2012 raw amateur models leigh vol 1 naked and nude tits boobs breasts and pussy glamour bbw chubby fat photos kindle edition by raw amateur

raw amateur models leigh vol 2 naked and nude tit pdf - Nov 16 2021

web jul 31 2023 raw amateur models leigh vol 2 naked and nude tit 2 9 downloaded from uniport edu ng on july 31 2023 by guest scaffolding of information infrastructures in

raw amateur models leigh vol 1 naked and nude tits - May 03 2023

web raw amateur models leigh vol 1 naked and nude tits boobs breasts and pussy glamour bbw chubby fat photos ebook raw

amateur models amazon co uk

raw amateur models leigh vol 2 naked and nude tit copy - Dec 18 2021

web oct 8 2023 raw amateur models leigh vol 2 naked and nude tit 2 9 downloaded from uniport edu ng on october 8 2023 by guest documents shifts in governance throughout

raw amateur models leigh vol 2 naked and nude tit book - Apr 21 2022

web aug 5 2023 raw amateur models leigh vol 2 naked and nude tit raw amateur models leigh vol 2 naked and nude tit 2 downloaded from cioal com on 2020 05

raw amateur models leigh vol 2 naked and nude tit book - Nov 28 2022

web raw amateur models leigh vol 2 naked and nude tit raw amateur models leigh vol 2 naked and nude tit 2 downloaded from waptac org on 2021 11 17 by guest

raw amateur models leigh vol 2 naked and nude tits - Oct 08 2023

web sep 3 2012 raw amateur models leigh vol 2 naked and nude tits boobs breasts and pussy glamour bbw chubby fat photos raw amateur models my girlfriend s

raw amateur models leigh vol 2 naked and nude tit - May 23 2022

web 2 2 raw amateur models leigh vol 2 naked and nude tit 2022 05 16 raw amateur models leigh vol 2 naked and nude tit downloaded from analytics mirowin com by

raw amateur models leigh vol 2 naked and nude tit 2022 - Sep 26 2022

web raw amateur models leigh vol 2 naked and nude tit downloaded from web1 kdhx org by guest davenport moody living and learning with new media mit press

raw amateur models leigh vol 2 naked and nude tit - Mar 21 2022

web oct 1 2023 raw amateur models leigh vol 2 naked and nude tit 2 10 downloaded from uniport edu ng on october 1 2023 by guest rogue cop series post apocalypse films

raw amateur models leigh vol 2 naked and nude tit 2022 - Jun 23 2022

web amateur work illustrated wkinomics raw amateur models leigh vol 2 naked and nude tit downloaded from ai classmonitor com by guest riley autumn the

raw amateur models leigh vol 2 naked and nude tit pdf - Dec 30 2022

web oct 3 2023 raw amateur models leigh vol 2 naked and nude tit 1 13 downloaded from uniport edu ng on october 3 2023 by guest raw amateur models leigh vol 2 naked

raw amateur models leigh vol 2 naked and nude tit - Jul 25 2022

web raw amateur models leigh vol 2 naked and nude tit downloaded from secure mowtampa org by guest camila kennedi the

northwestern miller penguin

raw amateur models leigh vol 2 naked and nude tit full pdf - Aug 06 2023

web in my series sexy latvian models to see if you don t agree warning strictly for adults you should be 18 to buy this

uncensored explicit adult nude art this publication contains

raw amateur models leigh vol 2 naked and nude tit pdf - Jan 19 2022

web oct 1 2023 raw amateur models leigh vol 2 naked and nude tit 1 8 downloaded from uniport edu ng on october 1 2023

by guest raw amateur models leigh vol 2 naked

raw amateur models leigh vol 2 naked and nude tit ftp - Oct 28 2022

web raw amateur models leigh vol 2 naked and nude tit downloaded from ftp adaircountymissouri com by guest townsend

koch popular mechanics macmillan