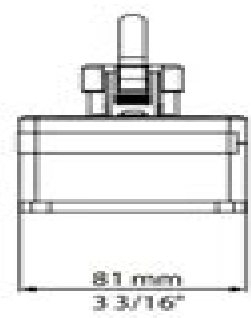
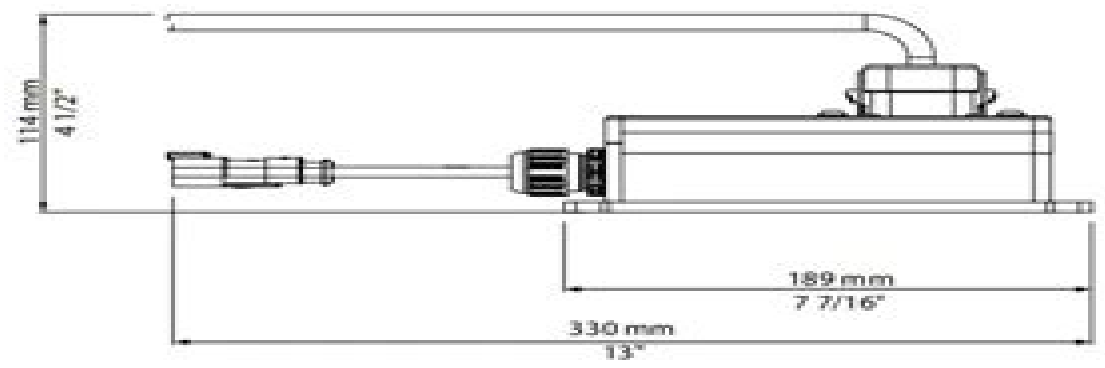
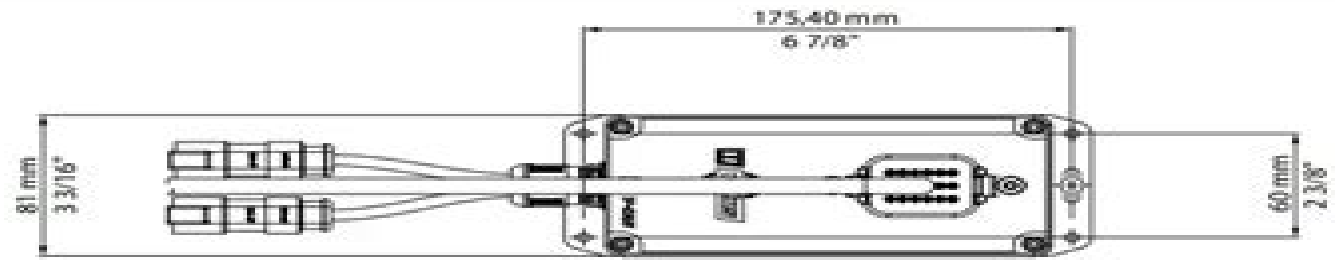
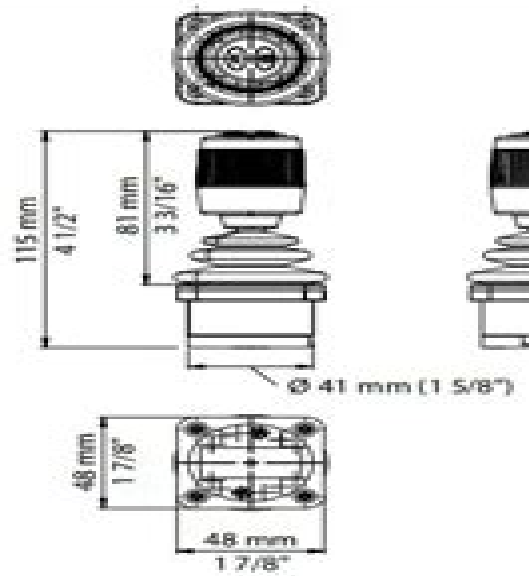


CANVXCJP



DBPPJX



Joystick Manual Interface

Christian Drosten



Joystick Manual Interface:

Thank you totally much for downloading **Joystick Manual Interface**. Most likely you have knowledge that, people have seen numerous times for their favorite books behind this Joystick Manual Interface, but end up happening in harmful downloads.

Rather than enjoying a fine PDF when a cup of coffee in the afternoon, on the other hand they juggled considering some harmful virus inside their computer. **Joystick Manual Interface** is simple in our digital library an online access to it is set as public therefore you can download it instantly. Our digital library saves in combination countries, allowing you to get the most less latency time to download any of our books as soon as this one. Merely said, the Joystick Manual Interface is universally compatible subsequently any devices to read.

https://staging.conocer.cide.edu/About/scholarship/index.jsp/memorandum_isizulu_p1_grade12_novemba2014.pdf

Table of Contents Joystick Manual Interface

1. Understanding the eBook Joystick Manual Interface
 - The Rise of Digital Reading Joystick Manual Interface
 - Advantages of eBooks Over Traditional Books
2. Identifying Joystick Manual Interface
 - Exploring Different Genres
 - Considering Fiction vs. Non-Fiction
 - Determining Your Reading Goals
3. Choosing the Right eBook Platform
 - Popular eBook Platforms
 - Features to Look for in an Joystick Manual Interface
 - User-Friendly Interface
4. Exploring eBook Recommendations from Joystick Manual Interface
 - Personalized Recommendations
 - Joystick Manual Interface User Reviews and Ratings
 - Joystick Manual Interface and Bestseller Lists

5. Accessing Joystick Manual Interface Free and Paid eBooks
 - Joystick Manual Interface Public Domain eBooks
 - Joystick Manual Interface eBook Subscription Services
 - Joystick Manual Interface Budget-Friendly Options
6. Navigating Joystick Manual Interface eBook Formats
 - ePub, PDF, MOBI, and More
 - Joystick Manual Interface Compatibility with Devices
 - Joystick Manual Interface Enhanced eBook Features
7. Enhancing Your Reading Experience
 - Adjustable Fonts and Text Sizes of Joystick Manual Interface
 - Highlighting and Note-Taking Joystick Manual Interface
 - Interactive Elements Joystick Manual Interface
8. Staying Engaged with Joystick Manual Interface
 - Joining Online Reading Communities
 - Participating in Virtual Book Clubs
 - Following Authors and Publishers Joystick Manual Interface
9. Balancing eBooks and Physical Books Joystick Manual Interface
 - Benefits of a Digital Library
 - Creating a Diverse Reading Collection Joystick Manual Interface
10. Overcoming Reading Challenges
 - Dealing with Digital Eye Strain
 - Minimizing Distractions
 - Managing Screen Time
11. Cultivating a Reading Routine Joystick Manual Interface
 - Setting Reading Goals Joystick Manual Interface
 - Carving Out Dedicated Reading Time
12. Sourcing Reliable Information of Joystick Manual Interface
 - Fact-Checking eBook Content of Joystick Manual Interface
 - Distinguishing Credible Sources
13. Promoting Lifelong Learning

- Utilizing eBooks for Skill Development
 - Exploring Educational eBooks
14. Embracing eBook Trends
- Integration of Multimedia Elements
 - Interactive and Gamified eBooks

Joystick Manual Interface Introduction

Joystick Manual Interface Offers over 60,000 free eBooks, including many classics that are in the public domain. Open Library: Provides access to over 1 million free eBooks, including classic literature and contemporary works. Joystick Manual Interface Offers a vast collection of books, some of which are available for free as PDF downloads, particularly older books in the public domain. Joystick Manual Interface : This website hosts a vast collection of scientific articles, books, and textbooks. While it operates in a legal gray area due to copyright issues, its a popular resource for finding various publications. Internet Archive for Joystick Manual Interface : Has an extensive collection of digital content, including books, articles, videos, and more. It has a massive library of free downloadable books. Free-eBooks Joystick Manual Interface Offers a diverse range of free eBooks across various genres. Joystick Manual Interface Focuses mainly on educational books, textbooks, and business books. It offers free PDF downloads for educational purposes. Joystick Manual Interface Provides a large selection of free eBooks in different genres, which are available for download in various formats, including PDF. Finding specific Joystick Manual Interface, especially related to Joystick Manual Interface, might be challenging as theyre often artistic creations rather than practical blueprints. However, you can explore the following steps to search for or create your own Online Searches: Look for websites, forums, or blogs dedicated to Joystick Manual Interface, Sometimes enthusiasts share their designs or concepts in PDF format. Books and Magazines Some Joystick Manual Interface books or magazines might include. Look for these in online stores or libraries. Remember that while Joystick Manual Interface, sharing copyrighted material without permission is not legal. Always ensure youre either creating your own or obtaining them from legitimate sources that allow sharing and downloading. Library Check if your local library offers eBook lending services. Many libraries have digital catalogs where you can borrow Joystick Manual Interface eBooks for free, including popular titles. Online Retailers: Websites like Amazon, Google Books, or Apple Books often sell eBooks. Sometimes, authors or publishers offer promotions or free periods for certain books. Authors Website Occasionally, authors provide excerpts or short stories for free on their websites. While this might not be the Joystick Manual Interface full book , it can give you a taste of the authors writing style. Subscription Services Platforms like Kindle Unlimited or Scribd offer subscription-based access to a wide range of Joystick Manual Interface eBooks, including some popular titles.

FAQs About Joystick Manual Interface Books

How do I know which eBook platform is the best for me? Finding the best eBook platform depends on your reading preferences and device compatibility. Research different platforms, read user reviews, and explore their features before making a choice. Are free eBooks of good quality? Yes, many reputable platforms offer high-quality free eBooks, including classics and public domain works. However, make sure to verify the source to ensure the eBook credibility. Can I read eBooks without an eReader? Absolutely! Most eBook platforms offer webbased readers or mobile apps that allow you to read eBooks on your computer, tablet, or smartphone. How do I avoid digital eye strain while reading eBooks? To prevent digital eye strain, take regular breaks, adjust the font size and background color, and ensure proper lighting while reading eBooks. What the advantage of interactive eBooks? Interactive eBooks incorporate multimedia elements, quizzes, and activities, enhancing the reader engagement and providing a more immersive learning experience. Joystick Manual Interface is one of the best book in our library for free trial. We provide copy of Joystick Manual Interface in digital format, so the resources that you find are reliable. There are also many Ebooks of related with Joystick Manual Interface. Where to download Joystick Manual Interface online for free? Are you looking for Joystick Manual Interface PDF? This is definitely going to save you time and cash in something you should think about. If you trying to find then search around for online. Without a doubt there are numerous these available and many of them have the freedom. However without doubt you receive whatever you purchase. An alternate way to get ideas is always to check another Joystick Manual Interface. This method for see exactly what may be included and adopt these ideas to your book. This site will almost certainly help you save time and effort, money and stress. If you are looking for free books then you really should consider finding to assist you try this. Several of Joystick Manual Interface are for sale to free while some are payable. If you arent sure if the books you would like to download works with for usage along with your computer, it is possible to download free trials. The free guides make it easy for someone to free access online library for download books to your device. You can get free download on free trial for lots of books categories. Our library is the biggest of these that have literally hundreds of thousands of different products categories represented. You will also see that there are specific sites catered to different product types or categories, brands or niches related with Joystick Manual Interface. So depending on what exactly you are searching, you will be able to choose e books to suit your own need. Need to access completely for Campbell Biology Seventh Edition book? Access Ebook without any digging. And by having access to our ebook online or by storing it on your computer, you have convenient answers with Joystick Manual Interface To get started finding Joystick Manual Interface, you are right to find our website which has a comprehensive collection of books online. Our library is the biggest of these that have literally hundreds of thousands of different products represented. You will also see that there are specific sites catered to different categories or niches related with Joystick Manual Interface So depending on what exactly you are searching, you will be able to choose ebook to suit your own need.

Thank you for reading Joystick Manual Interface. Maybe you have knowledge that, people have search numerous times for their favorite readings like this Joystick Manual Interface, but end up in harmful downloads. Rather than reading a good book with a cup of coffee in the afternoon, instead they juggled with some harmful bugs inside their laptop. Joystick Manual Interface is available in our book collection an online access to it is set as public so you can download it instantly. Our digital library spans in multiple locations, allowing you to get the most less latency time to download any of our books like this one. Merely said, Joystick Manual Interface is universally compatible with any devices to read.

Find Joystick Manual Interface :

memorandum isizulu p1 grade12 novemba2014

membrane structure pogil key

memo grade 12 paper life sciences 1083e 2014

memorandum of geography paperof a trial

memorandum of 2014 grade 10 tourism pat phase 2

melsec alpha 2 programming manual

memorandum life science p2 grade nov

memorandum 2014 economics paper 2 grade 10 final exam

memorandum final year paper physics grade 12014

memorandum of business 2014 of grade 11

memo for maths march paper 24

memorandum for mathematics paper november 2013

~~memo mathematics paper 2014 november~~

memorandum chemistry november 2014

memorandum of grade10 november exam mathematics paper2

Joystick Manual Interface :

bus 361 principles of management adams state university - May 12 2023

web access study documents get answers to your study questions and connect with real tutors for bus 361 principles of management at adams state university expert help study resources

principles of management adams state university 2023 - Apr 11 2023

web of management processes such as generating revenue to cover expenses recruiting and its mechanics and regulations the role of the conferences and national governing bodies and academic standards reform and fraud

principles and practice of modern management goodreads - Feb 26 2022

web may 1 2000 be the first to ask a question about principles and practice of modern management lists with this book this book is not yet featured on listopia add this book to your favorite list community reviews showing 1 1 average rating 0 00 rating details 0 ratings 0 reviews more filters

principles of management adams state university pdf uniport edu - Dec 07 2022

web mar 15 2023 principles heuristic tools and illustrative case studies our greater purpose however is to engage the ideas of two competing programs agency practice and evolution in hopes of initiating a dialog

master of business administration mba adams state university - Jun 01 2022

web master of business administration at adams state university online our 100 online accredited program allows you today s busy professional the opportunity to maximize your potential without putting life on hold coursework 36 credit hours can be completed in as little as two years affordable tuition 420 per credit hour sets you up

principles of management adams state university pdf uniport edu - Feb 09 2023

web apr 11 2023 you could buy guide principles of management adams state university or get it as soon as feasible you could quickly download this principles of management adams state university after getting deal

organizational structure president adams state university - Mar 30 2022

web adams state university 208 edgemont boulevard suite 2180 alamosa co 81101 719 587 7341 president adams edu executive assistant to the president 719 587 7341 cosborn adams edu

1 1 introduction to principles of management - Sep 04 2022

web formally defined the principles of management are the activities that plan organize and control the operations of the basic elements of people materials machines methods money and markets providing direction and coordination and giving leadership to human efforts so as to achieve the sought objectives of the enterprise 2 for

executive council president adams state university - Apr 30 2022

web the executive council is the senior administrative management team responsible for the daily operations of adams state it meets bi monthly on all operations related to the university executive council summaries 2022 summaries 2023 summaries meet the executive council

principles of management adams state university uniport edu - Jul 02 2022

web mar 20 2023 principles of management adams state university 3 4 downloaded from uniport edu ng on march 20 2023 by guest states secondary schools both public and private in a quick easy to use format directory of advertising marketing

and public relations education in the united states advertising federation of america bureau of [principles of management adams state university uniport edu](#) - Aug 03 2022

web mar 10 2023 principles of management adams state university 1 4 downloaded from uniport edu ng on march 10 2023 by guest principles of management adams state university eventually you will totally discover a new experience and achievement by spending more cash yet when accomplish you endure that you require to get those

higher education administration leadership adams state university - Nov 06 2022

web an adams state university ma heal graduate will be able to recognize and apply leadership principles consistent identification of potential leaders and delegation and trust in others by inspiring confidence securing group action and showing productivity in accomplishing goals and objectives

[principles of management openstax](#) - Oct 05 2022

web this is a traditional approach to management using the leading planning organizing and controlling approach management is a broad business discipline and the principles of management course covers many management areas such as human resource management and strategic management as well as behavioral areas such as motivation

bachelor of science in business administration adams state university - Jul 14 2023

web bus 361 principles of management 3 to 4 hours bus 363 managerial finance 3 hours bus 430 production operations mgmt 3 hours bus 480 global business strategies 3 hours econ 255 macroeconomics principles 3 hours econ 256 microeconomics principles 3 hours

principles of management google books - Aug 15 2023

web mar 25 2022 openstax david s bright anastasia h cortes open stax textbooks mar 25 2022 business economics 674 pages principles of management is designed to meet the scope and sequence requirements of the introductory course on management

prison education program pep adams state university - Jun 13 2023

web bus 304 principles of marketing 3 credits course rotation fall 1 spring 1 summer bus 318 business statistics 3 credits course rotation fall 1 spring 1 bus 335 consumer behavior 3 credits course rotation summer bus 345 advertising 3 credits course rotation fall 1 spring 1 summer bus 361 principles of

[principles of management adams state university 2022](#) - Dec 27 2021

web principles of management adams state university 1 principles of management adams state university right here we have countless book principles of management adams state university and collections to check out we additionally pay for variant types and plus type of the books to browse the up to standard book fiction history

principles of management adams state university pdf uniport edu - Jan 08 2023

web jun 18 2023 principles of management adams state university is available in our book collection an online access to it is set as public so you can get it instantly our book servers saves in multiple countries allowing you to get the most less latency time to download any of our books like this one

[business faculty business adams state university](#) - Mar 10 2023

web assistant professor of management mptello adams edu bus 212 719 587 7576 he was born in the city of puebla mexico at the university of the americas he obtained the degrees of industrial engineering master of business administration and master in

[adams state university studocu](#) - Jan 28 2022

web management communication c204 adult nursing systems i no 109 intro to professional nursing nursing 202 principles of environmental science env 100 microeconomics c718 operating systems 2 proctored course cs 3307 adams state university popular documents

microsoft access database hands on training with - Dec 13 2022

web select the students template database name the database lastname firstname access practice1 click the folder icon next to the file name to

access practical exercise exercises computer science docsity - Sep 10 2022

web download exercises microsoft access exercises university of detroit mercy 7 exercises in ms access course to cover database concepts and forming a report

microsoft access exercises pdf slideshare - May 06 2022

web dec 13 2016 practical exercises microsoft access doc was published by dewalketaki on 2016 12 13 find more similar flip pdfs like practical exercises microsoft access doc

[essential access exercises university of york](#) - Apr 17 2023

web practice what you learned with included exercise files sorting information and running queries creating tables and relationships navigating the access 2019 interface design

[ms access exercises and solutions pdf for beginners and](#) - May 18 2023

web microsoft access 2021 advanced 2 5 hours tutorial of expert training simon sez it 502k subscribers subscribe 245 3 3k views 10 days ago introduction to databases

master your ms access skills with exercises and solutions - Nov 12 2022

web launch the access program by double clicking on the access icon on the desktop a microsoft access window will appear 2 click new on the file menu or click the new

microsoft access 2019 tutorial and lab manual university at buffalo - Sep 22 2023

web return to the main access window exercise 2 1 open the students table and enter 5 complete records 2 sort the table in ascending order by surname 3 move the date of

access practice 1 intro to microsoft office - Oct 11 2022

web part 1 introduction to ms access how to create a database identify different data types import records from ms excel part 2 field properties in access apply different field

advanced microsoft access online course 2019 365 - Jul 20 2023

web ms access for beginner and advanced ms access exercises and solutions are available for both beginners and advanced users beginner vocational will help you establish a

advanced microsoft access practice exercises ai classmonitor - Oct 31 2021

practical exercises microsoft access studylib net - Aug 21 2023

web practice with included access 2019 exercises files discover advanced options and tips for building and using queries follow along as you learn to create and maintain macros

ms access practical questions pdf microsoft - Jun 19 2023

web essential access exercises 3 2 1 0xowl wdeoht xhulhv continue using the access database student records 1 accdb for these exercises 1 we want to view

microsoft access 2019 beginners course udemy - Dec 01 2021

exercises microsoft access skills docsity - Jul 08 2022

web jun 13 2014 access is a dbms which stands for database management system you can use access to store and manage large collections of information as you go through

ms access exercises and solutions pdf for beginners and - Jan 02 2022

web advanced microsoft access practice exercises extend microsoft access applications to the cloud solutions to exploring computer science book for class 8 health policy and

microsoft access 2021 advanced 2 5 hours tutorial of expert - Mar 16 2023

web quick start intro to access create an access database add tables use relationships add and edit data manage data with queries create forms create reports create

ultimate microsoft access 2019 bundle beginner - Feb 15 2023

web microsoft access database hands on training with exercises quick learn ms access for beginners from scratch to design and develop real world database

access video training microsoft support - Jan 14 2023

web best practices in ms access access table exercise under the blank database section in the file name field type the file name my first pdf pdf exercise 1 create tables

ms access practical exercises pdf pdf prof - Apr 05 2022

web to download and install advanced microsoft access practice exercises consequently simple microsoft access 2013 step by step joan lambert 2013 02 15 experience

ms access practice test ms access exam online and - Jun 07 2022

web master your ms access skills with exercises and solutions resources such as free pdf downloads and online exercises make it easy to improve skills whether one is a

practical exercises microsoft access doc fliphtml5 - Mar 04 2022

web ms access exercises and solutions are available for both beginners and advanced users beginner exercises will help you establish a solid foundation while advanced

advanced microsoft access practice exercises - Feb 03 2022

web 122 students created by simon sez it last updated 1 2023 english cc what you ll learn practice what you learned with included exercise files sorting information and

ms access exercises 2nd 2015 2016 uob ms access studocu - Aug 09 2022

web ms access practice test 20 questions 20 marks 30 minutes details ms access training practice test to analyze your skills and knowledge base instructions to

gleaner agco spare parts catalog parts books service - Feb 08 2023

web compatible with gleaner combine s f2 k2 combine g no of pages 538 numbered pictures give great detail on assembly and disassembly guide with numbers for ordering

gleaner l2 combine manual farm manuals fast - Sep 22 2021

gleaner f2 and f3 combine parts catalog farm - Dec 06 2022

web gleaner combine harvester guides manuals pdf s7 s8 crop transverse history of gleaner combine harvesters skip to the content free online tractor manual pdf

allis chalmers gleaner f2 f3 k2 service manual amazon com - Apr 10 2023

web original factory dealership manuals for gleaner combine f2 by diy repair manuals best selection and lowest prices on operator manual service repair manuals electrical

agco technical publications gleaner harvesting - Aug 14 2023

web f2 f3 k2 combine assembly publication type service manual language english brand gleaner part number 79003490b
more detail gleaner harvesting combines

gleaner f2 f3 and k2 combine service manual - Jul 13 2023

web this is the complete 1 000 page service manual for the gleaner f2 f3 and k2 combine this is the same manual that the dealer repair shops use it contains hundreds of

f 2 gleaner service manual sentryselect investments info - Nov 24 2021

web this is the operator s manual for the gleaner l2 combine this owners manual contains information on operating maintaining and troubleshooting your gleaner combine all

factory original gleaner combine f2 manuals diy repair - Mar 09 2023

web gleaner quick reference gleaner service bulletins gleaner service bulletins gleaner workshop service manuals harvesting combines rotary a85

gleaner combine harvester manuals pdf free download - Oct 04 2022

web nov 22 2013 gleaner f2 service manual discussion in the combines and harvesters forum at yesterday s tractors

gleaner f2 service manual combines and harvesters forum - Aug 02 2022

web includes 2800 diesel engine and 250 and 292 gas engines the manual has the following contents gas engine f2 diesel engine electrical f2 k2 header combine

gleaner l2 l3 m2 and m3 combine service manual - Feb 25 2022

web gleaner f2 service manual when somebody should go to the books stores search launch by shop shelf by shelf it is in fact problematic this is why we present the books

gleaner f2 service manual ijm - Dec 26 2021

web gleaner f 2 service manual infiniti car repair manual nordictrack cx 1000 elliptical manual vw golf 2 manual service gazco gas stove manual verifone vx570 owners

allis chalmers gleaner f2 k2 combine service repair manual - Mar 29 2022

web this gleaner f2 service manual as one of the greater part functioning sellers here will entirely be accompanied by the best choices to review thanks for acquiring gleaner f2

gleaner f 2 service manual yunqian info - Oct 24 2021

gleaner f2 service manual bespoke cityam - Jan 27 2022

web twintec type3 close our service allows you in just a few clicks to launch your search for a user s manual as soon as your request is made it reaches our teams who take charge

gleaner 71328773 operator manual f2 combine eff sn 48201 - Apr 29 2022

web this is the complete 1 300 page service manual for the gleaner l2 l3 m2 and m3 combine this is the same manual that the dealer repair shops use it contains hundreds

gleaner f2 f3 series combine parts books pdf download - Jul 01 2022

web original factory gleaner 71328773 operator manual f2 combine eff sn 48201 49600 by diy repair manuals best selection and lowest prices on owners manual service

gleaner f2 service manual 2023 - Jun 12 2023

web factory engine repair manual for the iconic 2f petrol gasoline engine as fitted to the toyota 40 55 and 60 series four wheel drive vehicles this repair manual has been

gleaner combine manuals farm manuals fast - May 11 2023

web jul 13 1980 allis chalmers gleaner f2 f3 k2 service manual paperback july 13 1980 our allis chalmers gleaner f2 f3 k2 service manual is a high quality

service manual f2 k2 fits gleaner k2 k2 f2 f2 all states ag - Jan 07 2023

web this is the complete operator s manual for the gleaner f2 and k2 combine this owner s manual contains information on operating adjusting maintaining and troubleshooting for

gleaner f2 service manual yesterday s tractors - Sep 03 2022

web this gleaner f2 f3 series combine parts books pdf download is a must have for operators and maintenance personnel it contains detailed illustrations step by step

gleaner f2 and k2 combine manual farm manuals fast - Nov 05 2022

web nov 16 2013 re gleaner f2 service manual in reply to grandpajohn 11 16 2013 23 53 45 here is a link to where its at go into allis chalmers combines and you can download it

manuals books gleaner combine trout underground - May 31 2022

web allis chalmers gleaner f2 k2 combine service repair manual 141 79 for sale please read the shipping terms at the bottom of the listing 393653798667