

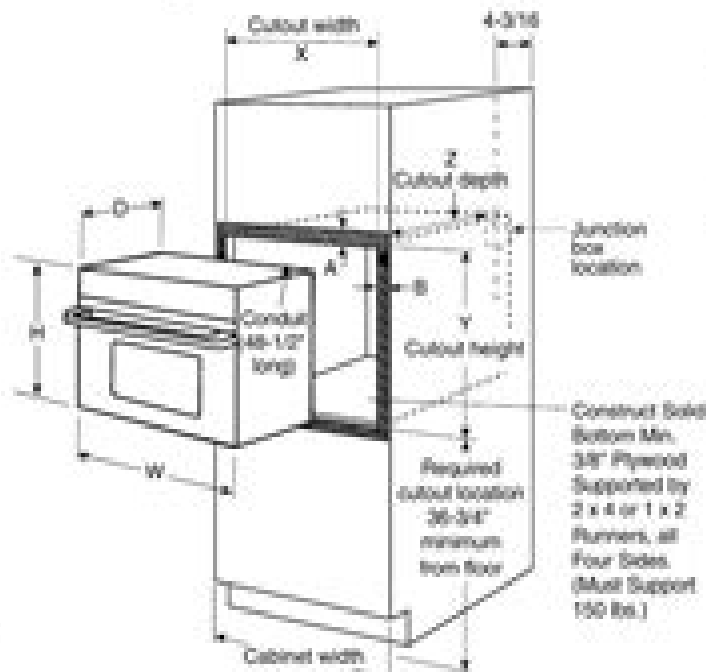
GE Profile Advantium® 120 Wall Oven

Advantium wall oven/GE Profile cooking tower dimensions and cabinet installation information (in inches)

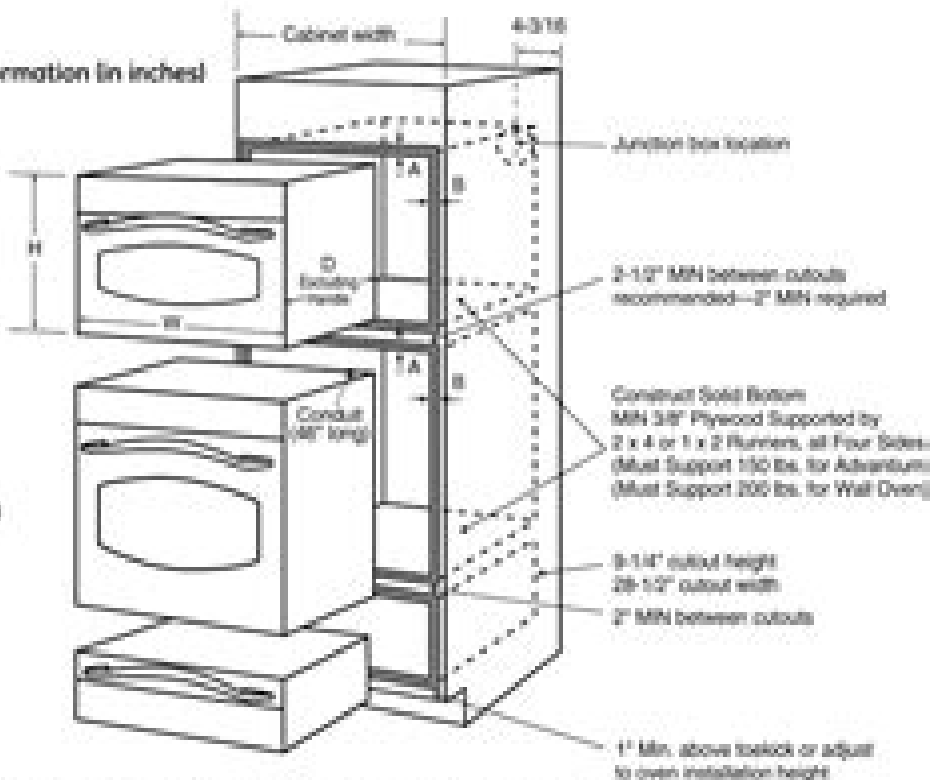
Note: Cabinets installed adjacent to wall ovens must have an adhesion spec of at least a 234°F temperature rating.

Note: 2" minimum between cutouts when installed above warming drawer or single wall oven.

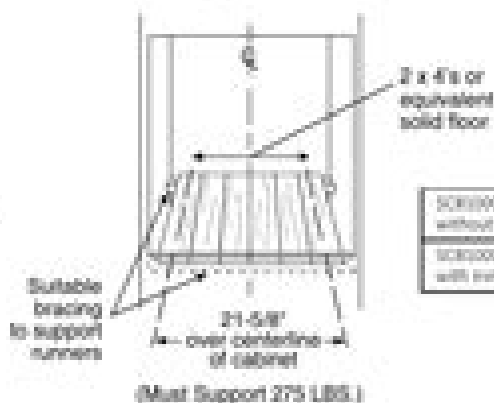
Installation information: Before installing, consult installation instructions packed with product for current dimensional data.



A=Allow 1" overlap of oven over top and bottom edges of cutout.
B=Allow 11/16"-3/4" for overlap of oven over side edges of cutout.



A=Allow 1" overlap of oven over top and bottom edges of cutout.
B=Allow 11/16"-3/4" for overlap of oven over side edges of cutout.



For answers to your Monogram,® GE Profile™ or GE® appliance questions, visit our website at ge.com or call GE Answer Center® service, 800.626.2000.

	Cabinet Width	W Width	H Height	D Depth (including handle)	X Cutout Width	Y Cutout Height	Z Cutout Depth (minimum)
SCB1001's 27" installation without trim kit	27	26-3/4	19-1/32	21-1/2	25-1/8	17-1/2	23-1/2
SCB1001's 30" installation with trim kit	30	29-3/4	19-1/32	21-1/2	25-1/8	17-1/2	23-1/2

Ge Wok User Manual

Robert R. Redfield



Ge Wok User Manual:

Uncover the mysteries within its enigmatic creation, **Ge Wok User Manual**. This downloadable ebook, shrouded in suspense, is available in a PDF format (PDF Size: *). Dive into a world of uncertainty and anticipation. Download now to unravel the secrets hidden within the pages.

https://staging.conocer.cide.edu/files/uploaded-files/Download_PDFS/Exiled%20Memories%20A%20Cuban%20Childhood.pdf

Table of Contents Ge Wok User Manual

1. Understanding the eBook Ge Wok User Manual
 - The Rise of Digital Reading Ge Wok User Manual
 - Advantages of eBooks Over Traditional Books
2. Identifying Ge Wok User Manual
 - Exploring Different Genres
 - Considering Fiction vs. Non-Fiction
 - Determining Your Reading Goals
3. Choosing the Right eBook Platform
 - Popular eBook Platforms
 - Features to Look for in an Ge Wok User Manual
 - User-Friendly Interface
4. Exploring eBook Recommendations from Ge Wok User Manual
 - Personalized Recommendations
 - Ge Wok User Manual User Reviews and Ratings
 - Ge Wok User Manual and Bestseller Lists
5. Accessing Ge Wok User Manual Free and Paid eBooks
 - Ge Wok User Manual Public Domain eBooks
 - Ge Wok User Manual eBook Subscription Services
 - Ge Wok User Manual Budget-Friendly Options
6. Navigating Ge Wok User Manual eBook Formats

- ePub, PDF, MOBI, and More
- Ge Wok User Manual Compatibility with Devices
- Ge Wok User Manual Enhanced eBook Features
- 7. Enhancing Your Reading Experience
 - Adjustable Fonts and Text Sizes of Ge Wok User Manual
 - Highlighting and Note-Taking Ge Wok User Manual
 - Interactive Elements Ge Wok User Manual
- 8. Staying Engaged with Ge Wok User Manual
 - Joining Online Reading Communities
 - Participating in Virtual Book Clubs
 - Following Authors and Publishers Ge Wok User Manual
- 9. Balancing eBooks and Physical Books Ge Wok User Manual
 - Benefits of a Digital Library
 - Creating a Diverse Reading Collection Ge Wok User Manual
- 10. Overcoming Reading Challenges
 - Dealing with Digital Eye Strain
 - Minimizing Distractions
 - Managing Screen Time
- 11. Cultivating a Reading Routine Ge Wok User Manual
 - Setting Reading Goals Ge Wok User Manual
 - Carving Out Dedicated Reading Time
- 12. Sourcing Reliable Information of Ge Wok User Manual
 - Fact-Checking eBook Content of Ge Wok User Manual
 - Distinguishing Credible Sources
- 13. Promoting Lifelong Learning
 - Utilizing eBooks for Skill Development
 - Exploring Educational eBooks
- 14. Embracing eBook Trends
 - Integration of Multimedia Elements
 - Interactive and Gamified eBooks

Ge Wok User Manual Introduction

In this digital age, the convenience of accessing information at our fingertips has become a necessity. Whether its research papers, eBooks, or user manuals, PDF files have become the preferred format for sharing and reading documents. However, the cost associated with purchasing PDF files can sometimes be a barrier for many individuals and organizations. Thankfully, there are numerous websites and platforms that allow users to download free PDF files legally. In this article, we will explore some of the best platforms to download free PDFs. One of the most popular platforms to download free PDF files is Project Gutenberg. This online library offers over 60,000 free eBooks that are in the public domain. From classic literature to historical documents, Project Gutenberg provides a wide range of PDF files that can be downloaded and enjoyed on various devices. The website is user-friendly and allows users to search for specific titles or browse through different categories. Another reliable platform for downloading Ge Wok User Manual free PDF files is Open Library. With its vast collection of over 1 million eBooks, Open Library has something for every reader. The website offers a seamless experience by providing options to borrow or download PDF files. Users simply need to create a free account to access this treasure trove of knowledge. Open Library also allows users to contribute by uploading and sharing their own PDF files, making it a collaborative platform for book enthusiasts. For those interested in academic resources, there are websites dedicated to providing free PDFs of research papers and scientific articles. One such website is Academia.edu, which allows researchers and scholars to share their work with a global audience. Users can download PDF files of research papers, theses, and dissertations covering a wide range of subjects. Academia.edu also provides a platform for discussions and networking within the academic community. When it comes to downloading Ge Wok User Manual free PDF files of magazines, brochures, and catalogs, Issuu is a popular choice. This digital publishing platform hosts a vast collection of publications from around the world. Users can search for specific titles or explore various categories and genres. Issuu offers a seamless reading experience with its user-friendly interface and allows users to download PDF files for offline reading. Apart from dedicated platforms, search engines also play a crucial role in finding free PDF files. Google, for instance, has an advanced search feature that allows users to filter results by file type. By specifying the file type as "PDF," users can find websites that offer free PDF downloads on a specific topic. While downloading Ge Wok User Manual free PDF files is convenient, its important to note that copyright laws must be respected. Always ensure that the PDF files you download are legally available for free. Many authors and publishers voluntarily provide free PDF versions of their work, but its essential to be cautious and verify the authenticity of the source before downloading Ge Wok User Manual. In conclusion, the internet offers numerous platforms and websites that allow users to download free PDF files legally. Whether its classic literature, research papers, or magazines, there is something for everyone. The platforms mentioned in this article, such as Project Gutenberg, Open Library, Academia.edu, and Issuu, provide access to a vast collection of PDF files. However, users should always be cautious

and verify the legality of the source before downloading Ge Wok User Manual any PDF files. With these platforms, the world of PDF downloads is just a click away.

FAQs About Ge Wok User Manual Books

What is a Ge Wok User Manual PDF? A PDF (Portable Document Format) is a file format developed by Adobe that preserves the layout and formatting of a document, regardless of the software, hardware, or operating system used to view or print it. **How do I create a Ge Wok User Manual PDF?** There are several ways to create a PDF: Use software like Adobe Acrobat, Microsoft Word, or Google Docs, which often have built-in PDF creation tools. Print to PDF: Many applications and operating systems have a "Print to PDF" option that allows you to save a document as a PDF file instead of printing it on paper. Online converters: There are various online tools that can convert different file types to PDF. **How do I edit a Ge Wok User Manual PDF?** Editing a PDF can be done with software like Adobe Acrobat, which allows direct editing of text, images, and other elements within the PDF. Some free tools, like PDFescape or Smallpdf, also offer basic editing capabilities. **How do I convert a Ge Wok User Manual PDF to another file format?** There are multiple ways to convert a PDF to another format: Use online converters like Smallpdf, Zamzar, or Adobe Acrobats export feature to convert PDFs to formats like Word, Excel, JPEG, etc. Software like Adobe Acrobat, Microsoft Word, or other PDF editors may have options to export or save PDFs in different formats. **How do I password-protect a Ge Wok User Manual PDF?** Most PDF editing software allows you to add password protection. In Adobe Acrobat, for instance, you can go to "File" -> "Properties" -> "Security" to set a password to restrict access or editing capabilities. Are there any free alternatives to Adobe Acrobat for working with PDFs? Yes, there are many free alternatives for working with PDFs, such as: LibreOffice: Offers PDF editing features. PDFsam: Allows splitting, merging, and editing PDFs. Foxit Reader: Provides basic PDF viewing and editing capabilities. How do I compress a PDF file? You can use online tools like Smallpdf, ILovePDF, or desktop software like Adobe Acrobat to compress PDF files without significant quality loss. Compression reduces the file size, making it easier to share and download. Can I fill out forms in a PDF file? Yes, most PDF viewers/editors like Adobe Acrobat, Preview (on Mac), or various online tools allow you to fill out forms in PDF files by selecting text fields and entering information. Are there any restrictions when working with PDFs? Some PDFs might have restrictions set by their creator, such as password protection, editing restrictions, or print restrictions. Breaking these restrictions might require specific software or tools, which may or may not be legal depending on the circumstances and local laws.

Find Ge Wok User Manual :

~~exiled memories a cuban childhood~~

executive communication power basic skills for management success

exits stories of dying moments & parting words

exlibris der dame die bibliophilen taschenbuecher

expanding horizons of forest ecosystem management proceedings of the third habitat futures workshop

excitable cells in tissue culture

experiences of an irish rm

executive division 7

excel data analysis your visual blueprint for creating and analyzing data...

experiential education for community development contributions to the study of education

experiencing choral music proficient treble voices student edition

excitation-contraction coupling and cardiac contractile force

excellence in bus.commun.-text+std.gde.

exiled immortal a song cycle

executive jobs unlimited

Ge Wok User Manual :

in this issue english examples in context ludwig - Jun 14 2023

web high quality example sentences with in this issue in context from reliable sources ludwig is the linguistic search engine that helps you to write better in english

assistance on in about this issue wordreference forums - Jul 03 2022

web jan 30 2015 chinese sep 4 2012 1 hi friends is that do you need further assistance on this issue or do you need further assistance in this issue or about this issue or else thanks for your help

in this issue podcast on spotify - Feb 27 2022

web join host zack soto cartoonist editor and bin crawler for in this issue a podcast about formative comics reading experiences with a focus on the single issue format every episode of in this issue finds zack and a special guest doing a close reading of a comic book not a graphic novel and havin a lively chat about it

on this issue or in this issue textranch - May 13 2023

web the best way to perfect your writing discover why 909 973 users count on textranch to get their english corrected 1
input your text below 2 get it corrected in a few minutes by our editors 3 improve your english in this issue vs on this issue a
complete search of the internet has found these results

translation of in this issue in turkish reverso context - Aug 16 2023

web translations in context of in this issue in english turkish from reverso context at the same time we see completely
separate actions of states in this issue

in or on issue usingenglish com esl forum - Mar 11 2023

web may 8 2012 in bre the only context in which i can think that in this issue would be acceptable is where issue means
something like an edition of a magazine or a newspaper in this issue read about james mason s obsession with stamp
collecting

in this issue english definition grammar pronunciation - Oct 06 2022

web in this issue english definition grammar pronunciation synonyms and examples glosbe english english in this issue in
english dictionary in this issue sample sentences with in this issue declension stem match words europe has a vital interest in
this issue europarl8 the first point relates to pakistan s role in this issue europarl8

in this issue things that otherwise might remain hidden - Mar 31 2022

web this issue s opening article presents an autoethnographic study by anna gupta that explores the effects of poverty and
structural inequalities on families involved in the child protection and family court systems through case studies she depicts
how policies and political contexts can bias workers against the very people who need help the most

in this issue you english examples in context ludwig - Sep 05 2022

web high quality example sentences with in this issue you in context from reliable sources ludwig is the linguistic search
engine that helps you to write better in english you are offline learn ludwig ludwig guru sentence examples for in this issue
you from inspiring english sources related

issue english meaning cambridge dictionary - Jan 09 2023

web a subject or problem that people are thinking and talking about environmental ethical personal issues as employers we
need to be seen to be addressing dealing with

in this issue Übersetzung englisch deutsch dict cc - Dec 28 2021

web unverified on this issue adj adv adj only postpos in dieser angelegenheit there is some dissent on this issue in dieser
angelegenheit ist man sich uneinig this leads me to the issue of das bringt mich zur frage opinion is deeply divided on this
issue die meinungen hierüber gehen weit auseinander

in this issue pnas - Jan 29 2022

web jun 13 2023 hepatitis c virus hcv is highly genetically diverse particularly in its immunodominant hypervariable region 1 hvr1 immune responses against one variant tend to be ineffective against others alexander mosa david campo et al developed a strategy to elicit broadly neutralizing antibodies to hvr1 despite the virus extremely

[tureng issue türkçe İngilizce sözlük](#) - Jul 15 2023

web issue sell pledge dispose of grant transfer lease license guarantee encumber i ihracı satışı rehine verilmesi elden çıkarılması devredilmesi kiralanması lisansının verilmesi teminat gösterilmesi ipotek edilmesi

[in this issue example sentences use in this issue in a sentence bab la](#) - Dec 08 2022

web see how to use in this issue in a sentence lot of example sentences with the word in this issue bab la online dictionaries vocabulary conjugation grammar

[in this issue you can english examples in context ludwig](#) - Nov 07 2022

web high quality example sentences with in this issue you can in context from reliable sources ludwig is the linguistic search engine that helps you to write better in english you are offline learn ludwig ludwig guru sentence examples for in this issue you can from inspiring english sources

[in this issue vs on this issue grammar checker online editor](#) - Feb 10 2023

web in this issue vs on this issue check sentence check any text for mistakes in above text box grammar check your text looking on the internet deeply has found these results in this issue is the most popular phrase on the web

[41 words and phrases for in this issue power thesaurus](#) - Jun 02 2022

web in this issue synonyms 41 words and phrases for in this issue in this area in this matter in this regard at this issue for the present case for the subject for this dossier for this issue

[in this issue english translation linguae](#) - Aug 04 2022

web many translated example sentences containing in this issue english french dictionary and search engine for english translations

issue definition in the cambridge english dictionary - May 01 2022

web issue meaning 1 a subject or problem that people are thinking and talking about 2 most important in what is learn more [issue İngilizce türkçe sözlük cambridge dictionary](#) - Apr 12 2023

web issue çevir konu mevzu baskı sayı nüsha resmen bildirmek söylemek resmen vermek teslim etmek dağıtmak daha fazlasını öğrenmek için bkz cambridge İngilizce türkçe sözlük

malaguti service repair manuals pdf - Mar 09 2023

web 21 rows phantom max 125 malaguti phantom max 125 euro 2 parts catalogue pdf phantom max 125 euro 2 malaguti ersatzteilkatalog catalogo ricambi catalogue

[malaguti phantom max 125 - Sep 22 2021](#)

malaguti phantom f 12 max 125 workshop manual - Aug 14 2023

web view and download malaguti phantom f 12 max 125 workshop manual online phantom f 12 max series phantom f 12 max 125 scooter pdf manual download

malaguti phantom max 125 service manual issuu - Jul 01 2022

web view online 80 pages or download pdf 4 mb malaguti phantom f 12 max 200 phantom f 12 max 125 user manual phantom f 12 max 200 phantom f 12

malaguti scooter service repair manuals page 2 tradebit - Feb 25 2022

web sep 16 2017 get malaguti phantom max 125 service manual pdf file for free from our online library malaguti phantom max 125 service manual aqnpttixsw

[download malaguti phantom f 12 max 125 workshop manual](#) - Jun 12 2023

web manuals and user guides for malaguti phantom max 125 we have 1 malaguti phantom max 125 manual available for free pdf download owner s manual

malaguti scooter user manuals download manualslib - Aug 02 2022

web jul 4 2017 read malaguti phantom max 125 service manual by earlmorabito3718 on issuu and browse thousands of other publications on our platform start here

malaguti phantom max 125 user manual english 252 pages - Sep 03 2022

web download 41 malaguti scooter pdf manuals user manuals malaguti scooter operating guides and service manuals

2007 malaguti phantom max 125 specifications and pictures bikez - Dec 26 2021

web malaguti phantom max 125 owner s manual download owner s manual of malaguti phantom max 125 scooter for free or view it online on all guides com brand

malaguti phantom max 125 service manual by terrance issuu - Jan 27 2022

web the 2007 malaguti phantom max 125 and all other motorcycles made 1894 2023 specifications pictures rating discussions find parts fluids filters maintenance

download malaguti phantom max 125 owner s manual - Jan 07 2023

web information on how to build up a toolkit and keep service records tools testing and measuring equipment oils and workshop equipment using a service schedule and

manuals malaguti - Feb 08 2023

web malaguti phantom max 125 owner s manual brand malaguti category scooter size 7 37 mb pages 252 this manual is also

suitable for phantom max 250

malaguti phantom max 125cc service manual pdf ftp popcake - Mar 29 2022

web download malaguti f12 f 12 phantom max 250 scooter service repair workshop manual download malaguti spider max 500 gt500 gt 500 scooter service repair

malaguti phantom f 12 max 125 manuals manualslib - Apr 10 2023

web malaguti f12 phantom service manual pdf 6 3mb download malaguti f15 firefox 50 lc euro2 scooter wiring diagram jpg 376 6kb download malaguti f15 firefox service

malaguti phantom max 125 manuals english - Oct 04 2022

web view the manual for the malaguti phantom max 125 here for free this manual comes under the category scooters and has been rated by 6 people with an average of a 8 5

malaguti phantom max 125 manual manualscat com - Apr 29 2022

web 2 malaguti phantom max 125cc service manual 2021 05 25 the science focus second edition is the complete science package for the teaching of the new south wales stage

malaguti phantom max 125 manuals manualslib - May 11 2023

web manuals and user guides for malaguti phantom f 12 max 125 we have 1 malaguti phantom f 12 max 125 manual available for free pdf download workshop manual

2003 phantom max 125 diagnostica pdf 1 16 mb repair - Oct 24 2021

web manuals malaguti phantom max 125 phantom upload new manual repair manuals 5 add year document 2004 phantom max 125 troubleshooting pdf french 974 kb 33

user manual malaguti phantom max 125 english 252 pages - Nov 05 2022

web user and service manuals for vehicles of all automobiles all in one place in more than 10 languages from cars motorbikes trucks buses to tractors car moto manuals 121

malaguti phantom max 125 owner s manual all guides - Nov 24 2021

web malaguti phantom max 125 repair manuals italian 1 16 mb phantom max 125 diagnostica ita malaguti werkstatthandbuch manuale dofficina manuel datelier

malaguti phantom max 125 owner s manual - Jul 13 2023

web malaguti phantom f 12 max 125 workshop manual brand malaguti category scooter size 4 27 mb pages 80 this manual is also suitable for phantom f 12 max

malaguti phantom f 12 max 200 workshop manual manualzz - May 31 2022

web are you looking for the the instruction manual of the malaguti phantom max 125 view the user manual of this product

directly and completely free

malaguti phantom max 125cc service manual pdf download - Dec 06 2022

web view the manual for the malaguti phantom max 125 here for free this manual comes under the category scooters and has been rated by 6 people with an average of a 8 5

mallorca clasica die insel wie sie keiner mehr ke pdf - May 18 2023

web mallorca clasica die insel wie sie keiner mehr ke can be taken as without difficulty as picked to act the petticoat commando or boer women in secret service johanna brandt 2006 i have tried to give the public some idea of what was done by boer women during the great anglo boer war to keep their men in the field and to support them in

mallorca clasica die insel wie sie keiner mehr ke dotnbm - Jul 20 2023

web mallorca clasica die insel wie sie keiner mehr ke lexikon der kunst a companion to the archaeology of the ancient near east borromini s san carlo alle quattro fontane baedeker reiseführer mallorca the iliad in a nutshell the sea peoples laura in the kitchen der anschnitt wittgenstein and plato influence of environment upon human

mallorca clasica die insel wie sie keiner mehr ke download - Jun 07 2022

web mallorca clasica die insel wie sie keiner mehr ke 3 3 book explores libation and feasting engendered patterns of communication ritual drama and iconographic creativity case studies range from 13th century bc bavarian ostentatious graves 9th century scandinavian bog hoards 8th century austrian women s chambered tombs 7th century

mallorca wikipedia - Feb 15 2023

web geografie mallorca liegt östlich des spanischen festlands zwischen 39 15 40 und 39 57 40 nördlicher breite und 2 19 38 und 3 28 42 östlicher länge die insel hat eine maximale ost west ausdehnung von 98 kilometern und

downloadable free pdfs mallorca clasica die insel wie sie keiner mehr ke - Oct 11 2022

web mallorca clasica die insel wie sie keiner mehr ke die eidgenössischen abschiede may 20 2021 urgeschichte des schleswig-holsteinischen landes feb 26 2022 reprint of the original first published in 1869 diplomatics in the eastern mediterranean 1000 1500 jul 22 2021 in the politically and militarily complex world of the medieval eastern

mallorca clasica die insel wie sie keiner mehr ke copy dotnbm - Aug 21 2023

web 2 mallorca clasica die insel wie sie keiner mehr ke 2021 08 31 sollte sind im großen kapitel sehenswürdigkeiten von a z ausführlich beschrieben infografiken zeigen u a mallorca auf einen blick wo man abtauchen und sonne tanken kann und erklären die frühere artillerie

mallorca clásica die insel wie sie keiner mehr kennt - Sep 22 2023

web mar 31 2016 mallorca clásica die insel wie sie keiner mehr kennt die insel wie sie keiner mehr kennt von i montanyà josep planas verlag heel erschienen 31 03 2016 hardcover 176 s remittendenexemplar kanten evtl etwas bestoßen als

mängelexemplar gekennzeichnet vorrätig schneller und zuverlässiger versand garantiert modanon

mallorca clasica die insel wie sie keiner mehr ke copy - Nov 12 2022

web aug 26 2023 is mallorca clasica die insel wie sie keiner mehr ke below endlich ist wieder mallorca jürgen mayer 2021

04 06 auf mallorca trauen sich menschen dinge die sie zu hause niemals tun würden in diesem buch hat der autor die

amüsantesten und ungewöhnlichsten geschichten von deutschen urlauber innen zusammengetragen die er

ebook mallorca clasica die insel wie sie keiner mehr ke - Jun 19 2023

web mallorca clasica die insel wie sie keiner mehr ke deutsche blätter für poesie litteratur kunst und theater herausgegeben

von karl schall karl v holtei und friedrich barth jahrg 1 feb 10 2022 bunte steine oct 06 2021 reproduction of the original

bunte steine by adalbert stifter thinking german translation may 13 2022

mallorca clasica die insel wie sie keiner mehr ke stamatia - Mar 16 2023

web you may not be perplexed to enjoy all ebook collections mallorca clasica die insel wie sie keiner mehr ke that we will

definitely offer it is not regarding the costs its approximately what you habit currently this mallorca clasica die insel wie sie

keiner mehr ke as one of the most enthusiastic sellers here will utterly be

mallorca damals und heute porta holiday - Dec 13 2022

web jul 11 2016 ab anfang der 70er jahre gab es kein halten mehr vor allem in den 80er und 90er jahren explodierten die

urlauberzahlen 2010 wurde son sant joan so ausgebaut dass 35 millionen passagiere pro jahr abgefertigt werden können der

tourismus brachte geld und wohlstand und arbeit heute arbeitet jeder dritte mallorquiner mit touristen

mallorca inseltour die insel mallorca mallorca orte mallorca - Aug 09 2022

web sie erstreckt sich in einer der länge von ca 105 km und einer breite von 75 km die küstenlänge von mallorca umfasst ca

550 km und ist gesäumt von vielen kleinen buchten und schönen stränden der höchste berg der insel der puig major 1443 m

befindet sich in dem gebirgszug serra de tramuntana der sich über den westen und nordwesten

mallorca clasica die insel wie sie keiner mehr ke copy ftp - Jul 08 2022

web mallorca clasica die insel wie sie keiner mehr ke 1 mallorca clasica die insel wie sie keiner mehr ke when people should

go to the books stores search opening by shop shelf by shelf it is in reality problematic this is why we give the books

compilations in this website it will agreed ease you to see guide mallorca clasica die insel wie sie

mallorca clasica die insel wie sie keiner mehr ke pdf - Apr 17 2023

web 2 mallorca clasica die insel wie sie keiner mehr ke 2021 05 04 frederick douglass harriet beecher stowe and thomas w

macmahon a genealogy of secondary sources 1880 2015 presenting twenty four

mallorca clasica die insel wie sie keiner mehr ke uniport edu - Mar 04 2022

web jul 17 2023 mallorca clasica die insel wie sie keiner mehr ke 2 8 downloaded from uniport edu ng on july 17 2023 by

quest sobressada das knusprigste brot setzen sie sich mittwochs in eines der cafés an der plaça major in santanyí und erstellen sie ihren persönlichen einkaufszettel in den 1990er jahren

mallorca clasica die insel wie sie keiner mehr ke - Sep 10 2022

web mallorca clasica die insel wie sie keiner mehr ke optimizing adverb positions aug 06 2021 adverb positions vary within a single language as well as across diverse languages based on the study of adverbs in english french and german this monograph shows that the distribution of adverbs is

mallorca clasica die insel wie sie keiner mehr ke copy - Apr 05 2022

web über eine insel die mit naturschönheiten kultur herrlichen stränden und tauchrevieren und verborgenen schätzen beeindruckt und mediterran zu genießen weiß

mallorca classic wikipedia - May 06 2022

web the mallorca classic was a men s professional golf tournament on the european tour held between 2003 and 2007 at pula golf in mallorca it marked the return of the tour to the island having previously played host to the open de baleares between 1988 and 1995 in 2003 it was a dual ranking event which also featured on the challenge tour calendar

mallorca clásica die insel wie sie keiner mehr kennt - Oct 23 2023

web mallorca clásica die insel wie sie keiner mehr kennt planas i montanyà josep isbn 9783958432345 kostenloser versand für alle bücher mit versand und verkauf duch amazon

mallorca clasica die insel wie sie keiner mehr ke - Jan 14 2023

web mallorca die insel der ruhe apr 22 2023 der katalanische schriftsteller und maler santiago rusiñol 1861 1931 hat nicht nur viele wunderbare bilder von gärten und landschaften auf mallorca gemalt sondern auch eines