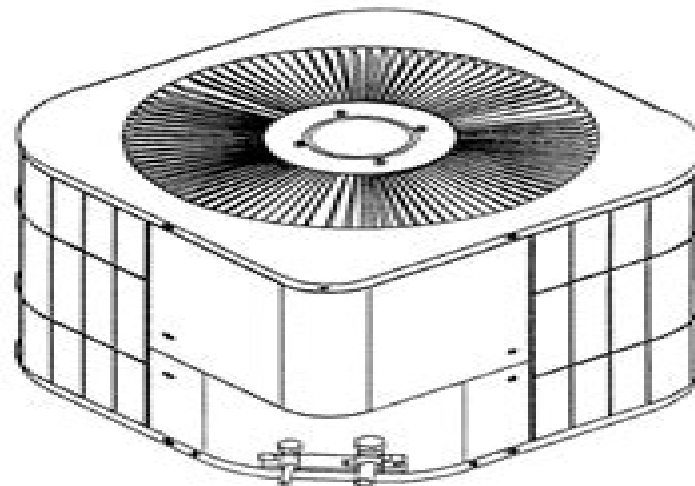


# INSTALLATION & OPERATING INSTRUCTIONS

HAVE YOU DISCUSSED WITH YOUR  
INSTALLING CONTRACTOR THE  
OPTIONAL \$ 300.00 2<sup>ND</sup> THROUGH  
5<sup>TH</sup> YEAR COMPRESSOR LABOR  
ALLOWANCE PROGRAM?

*For The United States and Canada only*



## CK - SERIES CONDENSING UNIT

Goodman Manufacturing Co., L.P.  
1501 Seawall, Houston, Texas 77008  
(713) 861-2500

# Goodman Ck Manual

**Terry C. Jones**



## **Goodman Ck Manual:**

## Embracing the Tune of Term: An Mental Symphony within **Goodman Ck Manual**

In a world consumed by monitors and the ceaseless chatter of instantaneous connection, the melodic beauty and psychological symphony developed by the written term often disappear into the back ground, eclipsed by the persistent noise and disruptions that permeate our lives. But, located within the pages of **Goodman Ck Manual** an enchanting fictional treasure brimming with raw emotions, lies an immersive symphony waiting to be embraced. Crafted by a masterful musician of language, this interesting masterpiece conducts viewers on a psychological trip, well unraveling the concealed songs and profound influence resonating within each cautiously constructed phrase. Within the depths of this moving assessment, we will investigate the book is main harmonies, analyze their enthralling publishing fashion, and surrender ourselves to the profound resonance that echoes in the depths of readers souls.

[https://staging.conocer.cide.edu/book/Resources/HomePages/History\\_Of\\_My\\_Life\\_Volumes\\_9\\_And\\_10.pdf](https://staging.conocer.cide.edu/book/Resources/HomePages/History_Of_My_Life_Volumes_9_And_10.pdf)

### **Table of Contents Goodman Ck Manual**

1. Understanding the eBook Goodman Ck Manual
  - The Rise of Digital Reading Goodman Ck Manual
  - Advantages of eBooks Over Traditional Books
2. Identifying Goodman Ck Manual
  - Exploring Different Genres
  - Considering Fiction vs. Non-Fiction
  - Determining Your Reading Goals
3. Choosing the Right eBook Platform
  - Popular eBook Platforms
  - Features to Look for in an Goodman Ck Manual
  - User-Friendly Interface
4. Exploring eBook Recommendations from Goodman Ck Manual
  - Personalized Recommendations

- Goodman Ck Manual User Reviews and Ratings
- Goodman Ck Manual and Bestseller Lists
- 5. Accessing Goodman Ck Manual Free and Paid eBooks
  - Goodman Ck Manual Public Domain eBooks
  - Goodman Ck Manual eBook Subscription Services
  - Goodman Ck Manual Budget-Friendly Options
- 6. Navigating Goodman Ck Manual eBook Formats
  - ePub, PDF, MOBI, and More
  - Goodman Ck Manual Compatibility with Devices
  - Goodman Ck Manual Enhanced eBook Features
- 7. Enhancing Your Reading Experience
  - Adjustable Fonts and Text Sizes of Goodman Ck Manual
  - Highlighting and Note-Taking Goodman Ck Manual
  - Interactive Elements Goodman Ck Manual
- 8. Staying Engaged with Goodman Ck Manual
  - Joining Online Reading Communities
  - Participating in Virtual Book Clubs
  - Following Authors and Publishers Goodman Ck Manual
- 9. Balancing eBooks and Physical Books Goodman Ck Manual
  - Benefits of a Digital Library
  - Creating a Diverse Reading Collection Goodman Ck Manual
- 10. Overcoming Reading Challenges
  - Dealing with Digital Eye Strain
  - Minimizing Distractions
  - Managing Screen Time
- 11. Cultivating a Reading Routine Goodman Ck Manual
  - Setting Reading Goals Goodman Ck Manual
  - Carving Out Dedicated Reading Time
- 12. Sourcing Reliable Information of Goodman Ck Manual
  - Fact-Checking eBook Content of Goodman Ck Manual

- Distinguishing Credible Sources
13. Promoting Lifelong Learning
    - Utilizing eBooks for Skill Development
    - Exploring Educational eBooks
  14. Embracing eBook Trends
    - Integration of Multimedia Elements
    - Interactive and Gamified eBooks

## **Goodman Ck Manual Introduction**

In today's digital age, the availability of Goodman Ck Manual books and manuals for download has revolutionized the way we access information. Gone are the days of physically flipping through pages and carrying heavy textbooks or manuals. With just a few clicks, we can now access a wealth of knowledge from the comfort of our own homes or on the go. This article will explore the advantages of Goodman Ck Manual books and manuals for download, along with some popular platforms that offer these resources. One of the significant advantages of Goodman Ck Manual books and manuals for download is the cost-saving aspect. Traditional books and manuals can be costly, especially if you need to purchase several of them for educational or professional purposes. By accessing Goodman Ck Manual versions, you eliminate the need to spend money on physical copies. This not only saves you money but also reduces the environmental impact associated with book production and transportation. Furthermore, Goodman Ck Manual books and manuals for download are incredibly convenient. With just a computer or smartphone and an internet connection, you can access a vast library of resources on any subject imaginable. Whether you're a student looking for textbooks, a professional seeking industry-specific manuals, or someone interested in self-improvement, these digital resources provide an efficient and accessible means of acquiring knowledge. Moreover, PDF books and manuals offer a range of benefits compared to other digital formats. PDF files are designed to retain their formatting regardless of the device used to open them. This ensures that the content appears exactly as intended by the author, with no loss of formatting or missing graphics. Additionally, PDF files can be easily annotated, bookmarked, and searched for specific terms, making them highly practical for studying or referencing. When it comes to accessing Goodman Ck Manual books and manuals, several platforms offer an extensive collection of resources. One such platform is Project Gutenberg, a nonprofit organization that provides over 60,000 free eBooks. These books are primarily in the public domain, meaning they can be freely distributed and downloaded. Project Gutenberg offers a wide range of classic literature, making it an excellent resource for literature enthusiasts. Another popular platform for Goodman Ck Manual books and manuals is Open Library. Open Library is an initiative of the Internet Archive, a non-profit organization dedicated to digitizing cultural

artifacts and making them accessible to the public. Open Library hosts millions of books, including both public domain works and contemporary titles. It also allows users to borrow digital copies of certain books for a limited period, similar to a library lending system. Additionally, many universities and educational institutions have their own digital libraries that provide free access to PDF books and manuals. These libraries often offer academic texts, research papers, and technical manuals, making them invaluable resources for students and researchers. Some notable examples include MIT OpenCourseWare, which offers free access to course materials from the Massachusetts Institute of Technology, and the Digital Public Library of America, which provides a vast collection of digitized books and historical documents. In conclusion, Goodman Ck Manual books and manuals for download have transformed the way we access information. They provide a cost-effective and convenient means of acquiring knowledge, offering the ability to access a vast library of resources at our fingertips. With platforms like Project Gutenberg, Open Library, and various digital libraries offered by educational institutions, we have access to an ever-expanding collection of books and manuals. Whether for educational, professional, or personal purposes, these digital resources serve as valuable tools for continuous learning and self-improvement. So why not take advantage of the vast world of Goodman Ck Manual books and manuals for download and embark on your journey of knowledge?

## **FAQs About Goodman Ck Manual Books**

1. Where can I buy Goodman Ck Manual books? Bookstores: Physical bookstores like Barnes & Noble, Waterstones, and independent local stores. Online Retailers: Amazon, Book Depository, and various online bookstores offer a wide range of books in physical and digital formats.
2. What are the different book formats available? Hardcover: Sturdy and durable, usually more expensive. Paperback: Cheaper, lighter, and more portable than hardcovers. E-books: Digital books available for e-readers like Kindle or software like Apple Books, Kindle, and Google Play Books.
3. How do I choose a Goodman Ck Manual book to read? Genres: Consider the genre you enjoy (fiction, non-fiction, mystery, sci-fi, etc.). Recommendations: Ask friends, join book clubs, or explore online reviews and recommendations. Author: If you like a particular author, you might enjoy more of their work.
4. How do I take care of Goodman Ck Manual books? Storage: Keep them away from direct sunlight and in a dry environment. Handling: Avoid folding pages, use bookmarks, and handle them with clean hands. Cleaning: Gently dust the covers and pages occasionally.
5. Can I borrow books without buying them? Public Libraries: Local libraries offer a wide range of books for borrowing.

- Book Swaps: Community book exchanges or online platforms where people exchange books.
6. How can I track my reading progress or manage my book collection? Book Tracking Apps: Goodreads, LibraryThing, and Book Catalogue are popular apps for tracking your reading progress and managing book collections. Spreadsheets: You can create your own spreadsheet to track books read, ratings, and other details.
  7. What are Goodman Ck Manual audiobooks, and where can I find them? Audiobooks: Audio recordings of books, perfect for listening while commuting or multitasking. Platforms: Audible, LibriVox, and Google Play Books offer a wide selection of audiobooks.
  8. How do I support authors or the book industry? Buy Books: Purchase books from authors or independent bookstores. Reviews: Leave reviews on platforms like Goodreads or Amazon. Promotion: Share your favorite books on social media or recommend them to friends.
  9. Are there book clubs or reading communities I can join? Local Clubs: Check for local book clubs in libraries or community centers. Online Communities: Platforms like Goodreads have virtual book clubs and discussion groups.
  10. Can I read Goodman Ck Manual books for free? Public Domain Books: Many classic books are available for free as they're in the public domain. Free E-books: Some websites offer free e-books legally, like Project Gutenberg or Open Library.

### Find Goodman Ck Manual :

*history of my life volumes 9 and 10*

**hitectural registration handbook 1979national c**

history of the theatre examination copy

history of the medical council of canada

hiv aids prevention management and strategy

**history of the australian gold rushes australian classics**

~~history of the church in the middle ages~~

**history of rock n roll my generation**

history of photography from 1839 to the present day

~~history of the british trolleybus~~

~~history of the canary islands 4th edition~~

~~history of western music and the norton anthology of western music vol. ii recordings~~



**hiv/aids primary care handbook**  
**hitlers sky warriors german paratroopers**  
**history of the county of sussex vol. v arundel rape south-west part**

**Goodman Ck Manual :**

small business management launching growing - Apr 17 2023

web jan 13 2016 help your students realize their dreams of small business success with longenecker petty palich hoy s small business management launching

small business management launching growing entrepreneurial - Jan 14 2023

web small business management delivers solid coverage of the fundamentals of business management as it teaches you not only how to start a business but also how

*the impact of small and medium enterprises smes on* - May 06 2022

web aug 17 2011 neden kurulan şirketlerin ömrü kısa sürede son buluyor İşte bunu önlemek için yapılması gerekenlerden bazıları

**freelance ahmet uzuner gayrimenkul danışmanlık** - Mar 04 2022

web sep 26 2013 justin g longenecker established small business management as a leader in the market when he wrote the first edition of the book more than 50 years ago

*small business management 17th edition amazon com* - Jul 20 2023

web sep 30 2013 realize your dream for small business success with this market leading book small business management launching and growing

**small business management launching growing** - Sep 29 2021

*small business management google books* - Feb 15 2023

web feb 1 2019 by justin g longenecker author j william petty author 2 more format kindle edition 4 6 127 ratings see all formats and editions follow the dream of

**small business management 17th edition by longenecker** - Jun 07 2022

web hakkında gayrimenkul uzmanlığı müşteri memnuniyeti müşteri bağlılığı hayal ortaklığı bireysel ve kurumsal kanal oluşturma geliştirme organizasyonu büyütme yapılandırma

**small business management justin g longenecker j william** - Jun 19 2023

web small business management 17th edition 9781133947752 cengage antigua and barbuda botswana british virgin islands

burkina faso cayman islands central african

*small business management longenecker justin g justin* - Aug 21 2023

web jan 13 2023 7 x 710 p 24 cm rev ed of small business management h n broom justin g longenecker carlos w moore 6th ed c1983 includes bibliographies

**small business management launching and growing** - Mar 16 2023

web mindtap for longenecker petty palich hoy s small business management launching growing entrepreneurial ventures 19e is the digital learning solution that powers

gökçek uzuner merchant project corporate customer and - Apr 05 2022

web dec 2013 awarded for continuous success day in and day out through team collaboration excellent performance and professional brand loyalty on the retail sales team see

**uzun ömürlü bir şirket olmanın sırrı makro ekonomi haberleri** - Feb 03 2022

web mindtap for longenecker petty palich hoy s small business management launching growing entrepreneurial ventures 19e is the digital learning solution that powers

**small business management launching growing cengage** - Oct 31 2021

small business management 17th edition 9781133947752 - May 18 2023

web jul 27 2012 justin g longenecker established small business management as a leader in the market when he wrote the first edition of the book more than 50 years ago

**tyler longenecker linkedin** - Jan 02 2022

web feb 4 2019 small business management launching growing entrepreneurial ventures longenecker justin g petty j william palich leslie e hoy frank

*small business management longenecker justin petty j* - Oct 11 2022

web small business management 17th edition longenecker small business management 17th edition amazon com pdf small business management launching growing

**small business management 17th edition by longenecker pdf** - Jul 08 2022

web teb merchant project corporate customer and portfolio management manager İstanbul İstanbul türkiye 1 b takipçi 500 bağlantı bağlantı kurmak için katılın

**small business management launching growing** - Dec 13 2022

web small business management an entrepreneurial emphasis by justin gooderl longenecker justin g longenecker carlos w moore j william petty and bill petty

*small business management 14th edition longenecker full pdf* - Aug 09 2022

web longenecker j g moore c w petty w palich l e 2005 small business management an entrepreneurial emphasis google scholar marshall m oliver w

**amazon com small business management launching** - Nov 12 2022

web small business management 14th edition longenecker downloaded from ams istanbul edu tr by guest preston williamson editions of small business

**small business management by justin gooderl longenecker** - Sep 10 2022

web 9781133947752 small business management by longenecker small business management 18th edition 9781305405745 small business management 17th

*small business management justin g longenecker j william* - Dec 01 2021

*ford focus mk2 routine maintenance guide 2005 to 2011 petrol* - Apr 05 2022

web want to know which engine oil to use in a ford focus mk2 what coolant does a ford focus mk2 need wondering what a ford focus mk2 service intervals are here s our service guide for the 2005 to 2011 ford focus

**mk 2 2004 2009 ford focus workshop manual mhh auto** - Apr 17 2023

web may 25 2019 i got my hands on this manual if it helps you and you know how to tune an ecu please message me i hope its alright but i had to make a google drive link drive google com file d 1 uyln5p

**ford focus workshop manual instant pdf download** - Oct 11 2022

web aug 30 2016 download this ford focus workshop manual and repair maintain and troubleshoot your ford focus yourself more expensive repair cots from your local garage if you are having ford focus 2 0 tdc1 turbo problems instantly download this manual

ford focus free workshop and repair manuals - Jun 19 2023

web ford focus workshop repair and owners manuals for all years and models free pdf download for thousands of cars and trucks

**ford focus workshop manual free pdf download all car manuals** - Mar 04 2022

web ford focus factory service workshop manuals file size 127 mb file type zip containing pdf files manual type factory service manual complete resource for all factory service and workshop mechanical instruction suited to the ford focus built between 2007 and 2012 as pictured

ford focus mk2 workshop manual pdf by davidchartier3681 issuu - May 06 2022

web jul 24 2017 get ford focus mk2 workshop manual pdf pdf file for free from our online library ford focus mk2 workshop

manual pdf introduction this particular pdf discuss about the subject of ford focus

**ford focus mk ii 2004 2012 haynes repair manuals guides** - Jan 14 2023

web our tool goes far beyond what commonly available fault code readers offer and puts you the car owner back in control even if you choose not to complete the repair yourself you will know exactly what the problem is when you hand it over to a workshop haynes autofix is not a haynes manual

[ford focus repair service manuals 150 pdf s](#) - Mar 16 2023

web ford focus owners manual covering weekly checks ford focus workshop manual covering lubricants fluids and tyre pressures ford focus service pdf s covering routine maintenance and servicing detailed ford focus engine and associated service systems for repairs and overhaul pdf ford focus transmission data service manual pdf

**ford focus repair manuals manuals ford page 2 ford club** - Dec 13 2022

web repair manuals 5 56 mb english 139 focus ii 2008 2008 ford focus wiring diagram pdf 2008 focus st c307 wiring diagram repair manuals 12 9 mb english 1 203 focus ii 2008 2008 ford focus workshop manual pdf repair manuals 73 8 mb

**ford focus second generation 2004 2011 free pdf factory service manual** - Aug 21 2023

web download workshop manual pdf format ford focus vehicle information the focus mk 2 is larger and considerably heavier than its predecessor it has a 25 mm 0 98 in increase in wheelbase and is 168 mm 6 6 in longer 8

[ford focus mk2 repair manual pdf by willie issuu](#) - Jan 02 2022

web sep 16 2017 this ford focus mk2 repair manual pdf pdf file is documented within our data source as ywsmjtiyqz with file size for around 234 45 and thus submitted at 26 nov 2013 we have digital books for

**ford focus mk2 manual pdf document** - Jul 08 2022

web oct 12 2015 5 21 2018 ford focus mk2 manual 1 224 introduction 4 instrument cluster 10 warning lights and chimes 10gauges 14 entertainment systems 16 am fm stereo with single cd 16am fm stereo with in dash six cd 20 climate controls 25 heater only 25 manual heating and air conditioning 26rear window defroster 28 lights 29

**ford focus workshop repair manual download** - Aug 09 2022

web ford focus workshop manual compatible with all pc operating systems windows 10 8 1 8 7 vista xp 32bit 64bit ford focus workshop manual download 1998 to 2016 just 9 95 euro usd exchange rate click here instant download ford focus workshop service repair manual the same ford focus repair manual as used by ford garages

[ford focus factory service repair manuals cardiagn](#) - Nov 12 2022

web free online pdf for ford focus workshop manuals ford focus oem repair manuals ford focus shop manuals ford focus electrical wiring diagrams ewd

**ford focus service manuals 2000 2011 pdf servicingmanuals** - May 18 2023

web find ford focus service manuals in pdf format for the years 2000 through to 2011 for free view them online print them or download the original to keep on your computer

**ford focus owner s manual pdf 2001 2023 manual directory** - Jun 07 2022

web focus you can find 23 different owner s manuals for the ford focus on this page that are in the pdf format looking for mechanical information an owner s manual is usually packed with guides on how to operate the car safely and how to maintain it

*ford focus workshop manual l4 2 0l dohc vin 3 2002* - Feb 03 2022

web check out our popular ford focus manuals below ford focus workshop manual l4 2 0l 2009 ford focus workshop manual l4 2 0l vin n 2006 ford focus 2002 wiring diagram pdf ford focus st workshop manual 2010 2011 see all

*ford focus repair manuals manuals ford ford club* - Jul 20 2023

web ford focus diesel manual pdf repair manuals 126 mb english 312 focus ii 2004 2004 focus c307 workshop manual pdf repair manuals 252 mb english 3 000 focus ii 2007 2012 2007 2012 ford focus factory workshop service manuals zip

ford focus workshop manual free pdf download all car manuals - Sep 10 2022

web ford focus factory service workshop manual file size 135 6 mb file type zip containing pdf files manual type factory service manual factory service manual owners manual and factory service manual for the 2005 to 2007 series ford focus ford focus service repair manual ford focus pdf downloads motor era - Feb 15 2023

web ford focus for factory chilton haynes service repair manuals ford focus repair manual pdf

**essential academic skills 2nd edition vitalsource** - Oct 27 2022

web over 5 billion essential academic skills 2nd edition is written by kathy turner brenda krenus lynette ireland leigh pointon and published by oupanz the digital and etextbook isbn for essential academic skills are 9780195519006 0195519000 and the print isbn are 9780195576054 0195576055

*academic advising administration essential knowledge and skills* - Feb 16 2022

web the second edition of academic advising administration essential knowledge and skills for the 21st century examines the evolving boundary crossing role of the advising administrator in an increasingly complex and diversified higher education environment

**essential academic skills 2nd edition 9780195576054** - Jun 22 2022

web academic english skills for success second edition 9888208640 9789888208647 this book features five theme based units on cross disciplinary academic english skills focusing on the needs of first 2 692 398 108mb read more

essential academic skills by kathy turner boffins books - Jul 24 2022

web buy essential academic skills 2nd edition by kathy turner from boffins books in perth australia softcover published in

2011 by oxford university press visit us in the perth cbd

**essential academic skills 2e 2nd edition amazon com** - Sep 06 2023

web oct 19 2012 essential academic skills 2e 2nd edition by kathy turner author brenda krenus author lynette ireland author leigh pointon author 1 more see all formats and editions

oxford university press homepage - May 02 2023

web oxford university press homepage

**sách oxford essential academic skills second edition** - May 22 2022

web a step by step approach to the core skills of finding sources reading writing listening speaking and researching within a university context complete instructions on how to avoid plagiarism and enhance the use of sources through paraphrasing quotation summary in text citations and reference lists

**essential academic skills 2e essential academic skills 2e** - Jun 03 2023

web essential academic skills encourages and supports students to develop their skills to become the best learners they can be it takes a step by step approach to the essential skills

*essential academic skills ebook oxford university press* - Aug 05 2023

web sep 22 2011 student resources lecturer resources essential academic skills encourages and supports students to develop their skills to become the best learners they can be it takes a step by step approach to the essential skills required to complete a university degree and provides comprehensive learning support through examples and

*essential academic skills second edition by kathy turner* - Jul 04 2023

web sep 22 2011 a step by step approach to the core skills of finding sources reading writing listening speaking and researching within a university context complete instructions on how to avoid plagiarism and enhance the use of sources through paraphrasing quotation summary in text citations and reference lists

*essential academic skills 2nd edition w9b most trusted web* - Apr 20 2022

web sep 26 2023 essential academic skills 356 turner kathy krenus brenda ireland lynette pointon leigh 2020 second edition with updated and improved

**essential academic skills rent 9780195568363 chegg com** - Aug 25 2022

web sep 28 2009 coupon rent essential academic skills 2nd edition 9780195568363 and save up to 80 on textbook rentals and 90 on used textbooks get free 7 day instant etextbook access

*essential academic skills 2e oxford university press* - Feb 28 2023

web comprehensive coverage of the essential assessment skills needed for success at university academic essays reports case studies reflective essays presentations group work examinations and primary research academic language support relevant

to all university study and specific for each skill

**essential academic skills 2e essential academic skills 2e 2nd edition** - Sep 25 2022

web essential academic skills encourages and supports students to develop their skills to become the best learners they can be it takes a step by step approach to the essential skills required to complete a university degree and provides activities which give students the power to understand and improve how they learn

**essential academic skills 2e essential academic skills 2e** - Oct 07 2023

web essential academic skills 2e essential academic skills 2e turner kathy krenus brenda ireland lynette pointon leigh amazon com tr kitap

**essential academic skills 2e 9780195576054 by turner kathy** - Dec 29 2022

web essential academic skills 2nd edition by kathy turner english paperback book 2nd edition essential academic skills 2e essential academic skills 2e number of pages 352 pages 33 54

**essential academic skills 2e essential academic skills 2e** - Apr 01 2023

web essential academic skills encourages and supports students to develop their skills to become the best learners they can be it takes a step by step approach to the essential skills required to complete a university degree and provides activities which give students the power to understand and improve how they learn

**essential academic skills 2e softcover abebooks** - Jan 30 2023

web useful in book and online activities for students new to this edition new chapter 2 academic language support chapters 4 reading in an academic context and 5 basic academic writing skills have been significantly updated to cover the new technological possibilities in searching and referencing and to incorporate the latest version of the apa

**engaging writing 2 essential skills for academic writing** - Mar 20 2022

web jan 9 2011 appendices provide comprehensive grammar and mechanics review for reference and practice together engaging writing 1 and 2 feature a solid pedagogical core using clearly presented and logically sequenced rhetorical grammatical and lexical teaching points supported by high interest activities

essential academic skills turner krenus ireland pointon - Nov 27 2022

web comprehensive coverage of the essential assessment skills needed for success at university academic essays reports case studies reflective essays presentations group work examinations and primary research