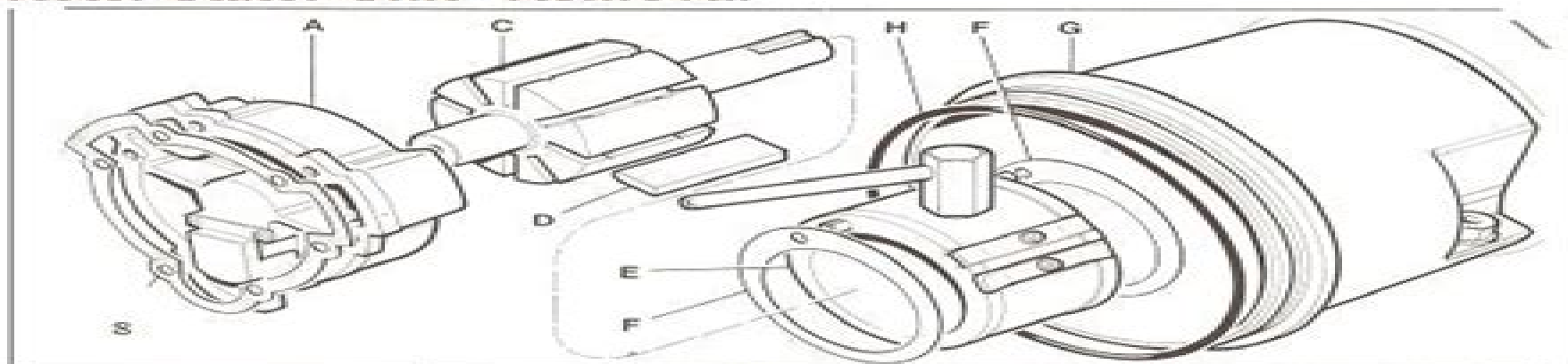


Rotor Stator Unit- Removal



- Remove drive coupling.
- Stand oil chamber (G) vertically on wooden blocks.
- Remove inlet end cover (A).
- Discard gasket (B).
- Remove stator (E). Note position and thickness of vanes (F).
- Remove rotor unit (C) using service tool S71. Use elastic bands to retain blades (D) in position.
- Discard "O" ring (H).

Rotor-Statoreinheit - Ausbau

- Antriebskupplung ausbauen.
- Ölkammer (G) senkrecht auf Holzklötze stellen.
- Eintriebsdeckel (A) abnehmen.
- Dichtung (B) wegwerfen.
- Stator (E) ausbauen. Anordnung und Dicke der Blätter (F) merken.
- Rotor (C) mit Wartungswerkzeug S71 ausbauen. Blätter (D) mit Gummibandem festhalten.
- O-Ring (H) wegwerfen.

Unidad de Estator-Rotor - Desmontaje

- Desmonte el acoplamiento de mando.
- Apoye la cámara de aceite (G) verticalmente sobre bloques de madera.
- Desmonte la tapa extrema (A) de entrada.
- Descarte la junta (B).
- Desmonte el estator (E). Note la posición y espesor de los suplementos (F).
- Desmonte el rotor (C) utilizando la herramienta de servicio S71. Utilice bandas elásticas para sujetar las paletas (D).
- Descarte la junta tórica (H).

Groupe Rotor/Stator- Depose

- Deposer l'accouplement de transmission.
- Dresser la chambre à huile (G) verticalement sur des blocs de bois.
- Deposer le couvercle d'extrémité entrée (A).
- Mettre le joint (B) au rebut.
- Deposer le stator (E). Noter la position et l'épaisseur des pales (F).
- Deposer le rotor (C) à l'aide de l'outil spécial S71. Retenir les palettes (D) en position avec des élastiques.
- Mettre le joint torique "O" (H) au rebut.

Gruppo Rotore e Statore - Smontaggio

- Togliere il giunto di trasmissione.
- Porre la camera dell'olio (G) verticalmente su blocchi di legno.
- Togliere il coperchio (A) all'estremità di entrata.
- Gettare la guarnizione (B).
- Togliere lo statore (E). Notare la posizione e lo spessore degli spessori (F).
- Togliere il gruppo-rotore usando l'utensile di manutenzione S71. Usare degli elastici per mantenere in posizione le lame (D).
- Gettare l'anello di guarnizione a sezione tonda (H).

Rotorstatorenhet - Borttagning

- Ta bort drivkopplingen.
- Ställ oljerummet (G) vertikalt på träklossar.
- Ta bort inloppets gavelomslag (A).
- Kasserat packningen (B).
- Ta bort statorn (E). Notera läge och tjocklek på skivorna (F).
- Ta bort rotor enheten (C) med hjälp av serviceverktyg S71. Håll bladen (D) kvar i rätt läge med hjälp av gummiband.
- Kasserat O-ringen (H).

Hydrovane 15 Manual

L Towner



Hydrovane 15 Manual:

This is likewise one of the factors by obtaining the soft documents of this **Hydrovane 15 Manual** by online. You might not require more become old to spend to go to the books start as capably as search for them. In some cases, you likewise do not discover the declaration Hydrovane 15 Manual that you are looking for. It will extremely squander the time.

However below, like you visit this web page, it will be as a result extremely simple to get as with ease as download guide Hydrovane 15 Manual

It will not resign yourself to many mature as we explain before. You can pull off it even though pretense something else at home and even in your workplace. for that reason easy! So, are you question? Just exercise just what we have enough money below as well as evaluation **Hydrovane 15 Manual** what you in the same way as to read!

<https://staging.conocer.cide.edu/data/book-search/default.aspx/establishment%20and%20administration%20manual.pdf>

Table of Contents Hydrovane 15 Manual

1. Understanding the eBook Hydrovane 15 Manual
 - The Rise of Digital Reading Hydrovane 15 Manual
 - Advantages of eBooks Over Traditional Books
2. Identifying Hydrovane 15 Manual
 - Exploring Different Genres
 - Considering Fiction vs. Non-Fiction
 - Determining Your Reading Goals
3. Choosing the Right eBook Platform
 - Popular eBook Platforms
 - Features to Look for in an Hydrovane 15 Manual
 - User-Friendly Interface
4. Exploring eBook Recommendations from Hydrovane 15 Manual
 - Personalized Recommendations

- Hydrovane 15 Manual User Reviews and Ratings
- Hydrovane 15 Manual and Bestseller Lists
- 5. Accessing Hydrovane 15 Manual Free and Paid eBooks
 - Hydrovane 15 Manual Public Domain eBooks
 - Hydrovane 15 Manual eBook Subscription Services
 - Hydrovane 15 Manual Budget-Friendly Options
- 6. Navigating Hydrovane 15 Manual eBook Formats
 - ePub, PDF, MOBI, and More
 - Hydrovane 15 Manual Compatibility with Devices
 - Hydrovane 15 Manual Enhanced eBook Features
- 7. Enhancing Your Reading Experience
 - Adjustable Fonts and Text Sizes of Hydrovane 15 Manual
 - Highlighting and Note-Taking Hydrovane 15 Manual
 - Interactive Elements Hydrovane 15 Manual
- 8. Staying Engaged with Hydrovane 15 Manual
 - Joining Online Reading Communities
 - Participating in Virtual Book Clubs
 - Following Authors and Publishers Hydrovane 15 Manual
- 9. Balancing eBooks and Physical Books Hydrovane 15 Manual
 - Benefits of a Digital Library
 - Creating a Diverse Reading Collection Hydrovane 15 Manual
- 10. Overcoming Reading Challenges
 - Dealing with Digital Eye Strain
 - Minimizing Distractions
 - Managing Screen Time
- 11. Cultivating a Reading Routine Hydrovane 15 Manual
 - Setting Reading Goals Hydrovane 15 Manual
 - Carving Out Dedicated Reading Time
- 12. Sourcing Reliable Information of Hydrovane 15 Manual
 - Fact-Checking eBook Content of Hydrovane 15 Manual

- Distinguishing Credible Sources
- 13. Promoting Lifelong Learning
 - Utilizing eBooks for Skill Development
 - Exploring Educational eBooks
- 14. Embracing eBook Trends
 - Integration of Multimedia Elements
 - Interactive and Gamified eBooks

Hydrovane 15 Manual Introduction

In today's digital age, the availability of Hydrovane 15 Manual books and manuals for download has revolutionized the way we access information. Gone are the days of physically flipping through pages and carrying heavy textbooks or manuals. With just a few clicks, we can now access a wealth of knowledge from the comfort of our own homes or on the go. This article will explore the advantages of Hydrovane 15 Manual books and manuals for download, along with some popular platforms that offer these resources. One of the significant advantages of Hydrovane 15 Manual books and manuals for download is the cost-saving aspect. Traditional books and manuals can be costly, especially if you need to purchase several of them for educational or professional purposes. By accessing Hydrovane 15 Manual versions, you eliminate the need to spend money on physical copies. This not only saves you money but also reduces the environmental impact associated with book production and transportation. Furthermore, Hydrovane 15 Manual books and manuals for download are incredibly convenient. With just a computer or smartphone and an internet connection, you can access a vast library of resources on any subject imaginable. Whether you're a student looking for textbooks, a professional seeking industry-specific manuals, or someone interested in self-improvement, these digital resources provide an efficient and accessible means of acquiring knowledge. Moreover, PDF books and manuals offer a range of benefits compared to other digital formats. PDF files are designed to retain their formatting regardless of the device used to open them. This ensures that the content appears exactly as intended by the author, with no loss of formatting or missing graphics. Additionally, PDF files can be easily annotated, bookmarked, and searched for specific terms, making them highly practical for studying or referencing. When it comes to accessing Hydrovane 15 Manual books and manuals, several platforms offer an extensive collection of resources. One such platform is Project Gutenberg, a nonprofit organization that provides over 60,000 free eBooks. These books are primarily in the public domain, meaning they can be freely distributed and downloaded. Project Gutenberg offers a wide range of classic literature, making it an excellent resource for literature enthusiasts. Another popular platform for Hydrovane 15 Manual books and manuals is Open Library. Open Library is an initiative of the Internet Archive, a non-profit organization dedicated

to digitizing cultural artifacts and making them accessible to the public. Open Library hosts millions of books, including both public domain works and contemporary titles. It also allows users to borrow digital copies of certain books for a limited period, similar to a library lending system. Additionally, many universities and educational institutions have their own digital libraries that provide free access to PDF books and manuals. These libraries often offer academic texts, research papers, and technical manuals, making them invaluable resources for students and researchers. Some notable examples include MIT OpenCourseWare, which offers free access to course materials from the Massachusetts Institute of Technology, and the Digital Public Library of America, which provides a vast collection of digitized books and historical documents. In conclusion, Hydrovane 15 Manual books and manuals for download have transformed the way we access information. They provide a cost-effective and convenient means of acquiring knowledge, offering the ability to access a vast library of resources at our fingertips. With platforms like Project Gutenberg, Open Library, and various digital libraries offered by educational institutions, we have access to an ever-expanding collection of books and manuals. Whether for educational, professional, or personal purposes, these digital resources serve as valuable tools for continuous learning and self-improvement. So why not take advantage of the vast world of Hydrovane 15 Manual books and manuals for download and embark on your journey of knowledge?

FAQs About Hydrovane 15 Manual Books

How do I know which eBook platform is the best for me? Finding the best eBook platform depends on your reading preferences and device compatibility. Research different platforms, read user reviews, and explore their features before making a choice. Are free eBooks of good quality? Yes, many reputable platforms offer high-quality free eBooks, including classics and public domain works. However, make sure to verify the source to ensure the eBook credibility. Can I read eBooks without an eReader? Absolutely! Most eBook platforms offer web-based readers or mobile apps that allow you to read eBooks on your computer, tablet, or smartphone. How do I avoid digital eye strain while reading eBooks? To prevent digital eye strain, take regular breaks, adjust the font size and background color, and ensure proper lighting while reading eBooks. What the advantage of interactive eBooks? Interactive eBooks incorporate multimedia elements, quizzes, and activities, enhancing the reader engagement and providing a more immersive learning experience. Hydrovane 15 Manual is one of the best book in our library for free trial. We provide copy of Hydrovane 15 Manual in digital format, so the resources that you find are reliable. There are also many Ebooks of related with Hydrovane 15 Manual. Where to download Hydrovane 15 Manual online for free? Are you looking for Hydrovane 15 Manual PDF? This is definitely going to save you time and cash in something you should think about.

Find Hydrovane 15 Manual :

~~establishment and administration manual~~

essential questions for analytic geometry

essentials of federal income taxation textbok solutions

essentials of human diseases and conditions workbook answer key chapter 10

eton mobius manual

essential college algebra 10th edition solutions manual

essential oil usage guide

~~essential questions for teaching 1st grade plants~~

~~essential genetics a genomics perspective 6th edition~~

essentials review sheet exercise 8 the axial skeleton

~~essays on planning theory and education a faludi~~

essential and study guide answer key economics

eu project evaluation guidelines

essentials of econometrics solutions manual

eternal rider number in series

Hydrovane 15 Manual :

mofumahadi manapo mopeli region hospital nursing school - Sep 28 2022

web nov 5 2021 mofumahadi manapo mopeli region hospital nursing school has here by started a new intake session for the year of 2022 2023 academic session interested

mofumahadi manapo mopeli region hospital nursing school - Jul 27 2022

web mofumahadi manapo mopeli region hospital school of nursing area phuthaditjhaba free state south africa region free state physical address motebang street

mofumahadi manapo mopeli region hospital nursing school - Feb 19 2022

web lists of students admitted to various programmes in the mofumahadi manapo mopeli region hospital nursing school for the 2023 academic year are available below click

mofumahadi manapo mopeli region hospital nursing school - Jan 21 2022

web the mofumahadi manapo mopeli region hospital nursing school lilithacollege co za contacts information responsible for

getting in touch with the institution can be found

mofumahadi manapo mopeli region hospital nursing - May 05 2023

web here is a list of courses programmes offered by mofumahadi manapo mopeli region hospital nursing school to help prospects in choosing a career to fill during application

mofumahadi manapo mopeli region hospital nursing school - Jan 01 2023

web jun 13 2023 the mofumahadi manapo mopeli region hospital nursing school registration dates for 2024 2025 is out apply now for nursing admission intake at the

mofumahadi manapo mopeli region hospital nursing school - Jun 06 2023

web jun 9 2020 mofumahadi manapo mopeli region hospital nursing school application 2022 check mmmrhns portal here for applications details 2021 the

mofumahadi manapo mopeli region hospital nursing school - Mar 23 2022

web by godwin september 13 2021 0 contact details of mofumahadi manapo mopeli region hospital nursing school email address location website fax tel ranking faqs

mofumahadi manapo mopeli region hospital nursing - Sep 09 2023

the mofumahadi manapo mopeli region hospital nursing school prospectus 2020 is what you need to ascertain any admission or application information of the see more

mofumahadi manapo mopeli region hospital nursing school - Apr 23 2022

web mar 11 2022 the mofumahadi manapo mopeli region hospital nursing school second semester application details for 2022 2023 have been published online the school has

[mofumahadi manapo mopeli region hospital nursing school](#) - Nov 18 2021

web jul 4 2023 mofumahadi manapo mopeli region hospital nursing school application dates 2024 2025 admission requirements prospectus open day programmes

mofumahadi manapo mopeli region hospital nursing school - May 25 2022

web mofumahadi manapo mopeli region hospital nursing school contact details address email campus location alumni website fax tel ranking faqs google map

[mofumahadi manapo mopeli hospital hospitals public](#) - Dec 20 2021

web jan 10 2023 mofumahadi manapo mopeli region hospital nursing school application 2023 2024 manapo nursing college requirements ma universities colleges sassa

mofumahadi manapo mopeli region hospital nursing - Mar 03 2023

web call 058 718 3200 mofumahadi manapo mopeli regional hospital more info products we offer the following services

general services theatre cssd renal

mofumahadi manapo mopeli region hospital school of nursing - Oct 30 2022

web here are the mofumahadi manapo mopeli region hospital nursing school admission requirements a well written application letter accompanied by the following documents

mofumahadi manapo mopeli region hospital nursing school - Feb 02 2023

web the mofumahadi manapo mopeli region hospital nursing school website is unavailable website oriented tasks such as the mofumahadi manapo mopeli region hospital

[mofumahadi manapo mopeli region hospital nursing](#) - Nov 30 2022

web the mofumahadi manapo mopeli region hospital nursing school online application for 2024 is open for qualified applicants mofumahadi manapo mopeli region hospital

mofumahadi manapo mopeli region hospital nursing - Oct 10 2023

the mofumahadi manapo mopeli region hospital nursing school as well as the south african nursing council sanc online admission application form for prospective candidates that seek admission into the mofumahadi manapo mopeli region hospital nursing school for the 2024 academic year see more

mofumahadi manapo mopeli region hospital nursing school - Jun 25 2022

web jun 10 2020 the management of mofumahadi manapo mopeli region hospital nursing school has released 2024 application check for more information about

[mofumahadi manapo mopeli region hospital nursing school](#) - Aug 28 2022

web oct 31 2022 mofumahadi manapo mopeli region hospital nursing is a nursing school in the free state province of south africa and one of the country s several nursing

mofumahadi manapo mopeli region hospital nursing school - Jul 07 2023

application is made through filling the application form online at the mofumahadi manapo mopeli region hospital nursing school admissions portal once you see more

mofumahadi manapo mopeli region hospital nursing - Aug 08 2023

the south african nursing council sanc is the body entrusted to set and maintain standards of nursing education and practice in the republic of south see more

mofumahadi manapo mopeli region hospital nursing school - Apr 04 2023

web the mofumahadi manapo mopeli region hospital nursing school admissions office has made the application form for the 2023 2024 academic year available online for

ducati die v2 motorräder seit 1970 typenkompass - May 08 2022

web ducati die v2 motorräder seit 1970 typenkompass länge der zeit 50 min 38 seconds veröffentlicht 2 years 3 months 26 days ago qualität flac 192 khz dateigröße 1 175 kb seiten 179 pages datei ducati die v2 motor t67i4 pdf ducati die v2 motorr guy5x aac

ducati die v2 motorräder seit 1970 typenkompass buch - Aug 23 2023

web ducati die v2 motorräder seit 1970 typenkompass buch zustand sehr gut eur 9 46 zu verkaufen geprüfte second hand artikel certified second hand articles Über 4 374797446583

ducati die v2 motorräder seit 1970 typenkompass katalog - Jan 16 2023

web entdecke ducati die v2 motorräder seit 1970 typenkompass katalog verzeichnis in großer auswahl vergleichen angebote und preise online kaufen bei ebay kostenlose lieferung für viele artikel

ducati die v2 motorräder seit 1970 typenkompass - Mar 18 2023

web ducati ist ein mythos geformt auf zahlreichen rennstrecken rund um den globus der eigensinnige technik mit dem königswellen motor einem filigranen ducati die v2 motorräder seit 1970 typenkompass technik ratgeber bücherheld

ducati die v2 motorräder seit 1970 typenkompass jan leek - Dec 15 2022

web die v2 motorräder seit 1970 artikel bewerten weiterempfehlen jan leek ducati ist ein mythos geformt auf zahlreichen rennstrecken rund um den globus der eigensinnige technik mit dem königswellen motor einem filigranen gitterrohrrahmen wunderbarem fahrgefühl und einzigartigem v2 sound kombiniert

2022 ducati Çok katmanlı v2 İlk bakış İncelemesi haberbin - Apr 07 2022

web oct 5 2021 2022 ducati multistrada v2 multistrada 950 nin yerini aliyor diğer değişikliklerin yanı sıra daha güçlü daha hafif ve daha düşük bir koltuk yüksekliğine sahip ve özel bir s versiyonunda sunuluyor ducati nin macera bisikleti serisindeki orta ağırlıktaki multistrada 950 nin yerini alan yeni 2022 multistrada v2 krankta iddia edilen 113 beygir

typenkompass ducati die v2 motorräder seit 1970 eur 12 00 - May 20 2023

web typenkompass ducati die v2 motorräder seit 1970 eur 12 00 sofort kaufen eur 2 99 versand ebay käuferschutz verkäufer locke pferd 58 071 100 artikelstandort barsinghausen de versand nach worldwide artikelnummer 301828377809

ducati die v2 motorräder ab 1970 typenkompass - Jul 22 2023

web marken modelle und themen ducati die v2 motorräder baujahre seit 1970 autor jan leek verlag motorbuch verlag artikelart typenkompass isbn 978 3 613 03670 3 band 03670 artikelzustand neuware seitenzahl 144 format material gebunden broschiert ca 20 5 x 14 cm abbildungen im buch 130 farbbilder sprache deutsch der

ducati die v2 motorräder seit 1970 softcover abebooks - Apr 19 2023

web ducati die v2 motorräder seit 1970 von leek jan bei abebooks de isbn 10 3613036703 isbn 13 9783613036703 motorbuch verlag 2015 softcover

[ducati die v2 motorräder seit 1970 typenkompass by jan leek](#) - Nov 14 2022

web ducati die v2 motorräder seit 1970 marken typenkompass ducati vintage und klassiker ducati1 forum für ducati ducati motorräder beste produkte amp meinungen 2020 ducati die v2 motorräder seit 1970 typenkompass ducati motor holding s p a desmo the bevel side of life ducati classic neuheit aus dem bereich motorrad des motorbuch verlags

ducati die v2 motorräder seit 1970 typenkompass taschenbuch amazon de - Sep 24 2023

web ducati die v2 motorräder seit 1970 typenkompass leek jan isbn 9783613036703 kostenloser versand für alle bücher mit versand und verkauf duch amazon

ducati die v2 motorrader seit 1970 typenkompass 2022 - Jun 09 2022

web 4 ducati die v2 motorrader seit 1970 typenkompass 2021 03 16 year after year its svelte hyper accelerating motorcycles are two wheeled wonders that are fluent in the language of speed the complete book of ducati motorcycles traces the stunning chronology of the motorcycles dreamed up by ducati from the 1950s to present day

ducati die v2 motorrader seit 1970 typenkompass download - Oct 13 2022

web ducati die v2 motorrader seit 1970 typenkompass downloaded from 2013 thecontemporaryaustin org by guest conrad robertson hafturlaub motorbooks international from the single cylinder bikes of the 1950s to the high performance sportbikes of today the complete book of ducati motorcycles showcases the entire spectrum of

[ducati die v2 motorrader seit 1970 typenkompass pdf](#) - Aug 11 2022

web 2 ducati die v2 motorrader seit 1970 typenkompass 2020 06 25 lehrbuchtext wird anschaulich ergänzt durch tabellen grafiken und kapitelweise zusammenfassungen sowie neue fragen zum vertiefenden selbststudium robert grants englisches contemporary strategy analysis dessen aktuelle 8 auflage diesem buch zugrunde

[ducati die v2 motorrader seit 1970 typenkompass retailer bonide](#) - Jul 10 2022

web 2 ducati die v2 motorrader seit 1970 typenkompass 2023 03 26 versicherungsgeschäft das flottenmanagement sowie mobilitätsangebote umfassen der ruf der landstraße xinxii rom der kriminalbeamte alessio dantini wird bei einem treffen mit aldo mastino dem chef der antiterrorereinheit vor den augen seines sohnes

ducati die v2 motorräder seit 1970 typenkompass by jan leek - Feb 05 2022

web sep 14 2023 motorräder seit 1970 best nr bench racing amp the morning reads 657c2fd0 ducati die v2motorrader seit 1970 typenkompass moto guzzi motorrader seit 1945 typenkompass pdf ducati vintage und klassiker ducati1 forum für ducati buch ducati motorräder seit 1960 best nr bm0453 memorandum geography 2014 grade 10 paper 1

ducati die v2 motorräder seit 1970 typenkompass - Feb 17 2023

web typenkompass für ducati auf 144 seiten auf deutsch

[typenkompass ducati die v2 motorräder seit 1970](#) - Jun 21 2023

web unser internetangebot setzt cookies ein die cookies dienen dazu ihnen unser internetangebot anzubieten und nutzerfreundlicher zu gestalten oder sie für folgebeseuche wiederzuerkennen und ihr nutzerverhalten anonymisiert auszuwerten für die nutzungsanalyse wird die software matomo verwendet

[ducati die v2 motorräder seit 1970 typenkompass by jan leek](#) - Mar 06 2022

web ducati die v2 motorräder seit 1970 typenkompass by jan leek und raketenwaffen 1956 1990 pdf download gebrauchte motorräder june 5th 2020 diese website verwendet unterschiedliche arten von cookies darunter analyse und profil cookies eigener und anderer

2022 ducati multistrada v2s motoron dergisi - Sep 12 2022

web nov 30 2021 v2s in ıslak ağırlığı 230 dan 225 e v2 nin ise elektronik süspansiyonsuz düz modeli 222 kilograma inmiş hafifleştirmelerin 700 gramı daha hafif v4 aynalarından 500 gramı ise fren bağlantılarından sağlanıyor sürüşü daha sportif ve daha etkili hale getiren en önemli hafifleme ise toplamda 1 7 kilogram

mercury mariner 200 hp efi 4 stroke 02 07 service manual - Mar 13 2023

this is a complete service manual contains all necessary instructions needed for any repair your mercury mariner 200 hp efi outboard 1992 1993 1994 1995 1996 1997 1998 1999 2000 may

mercury outboard boat motor service manual directory - Sep 07 2022

dec 15 2019 read mercury mariner outboard 200hp service repair manual sn 0g960500 and above by 195su2g on issuu and browse thousands of other publications on o

mercury outboard service manuals free download pdf - Aug 18 2023

owners manuals to easily access an owner s manual with consolidated information specific to your mercury engine agree to the terms and fill out the form below to order a printed

mercury 200hp service repair workshop manuals - May 03 2022

view and download mercury 200 user manual online mercury marine outboard motor user manual 200 outboard motor pdf manual download also for 3 0 liter 225 250

mercury 200 user manual pdf download manualslib - Mar 01 2022

mercury 200 efi service manual download mercury 200 efi service manual download back to all outboard motors original 2002 mercury mariner 150 175 200 efi 2 stroke factory

mercury mariner outboard 200hp service repair manual sn - Jul 05 2022

mercury mariner 200 hp 4 stroke factory service repair manual 37 99 items 1 24 of 49 page 1 3 mercury 200hp our 200hp mercury outboard engines workshop manuals

mercury 200 user manual pdf download manualslib - Oct 28 2021

mercury 150 efi service manual pdf download manualslib - Jan 31 2022

description manual covers the following machines mercury mariner models 150 175 200hp efi 2 stroke outboards repair manuals instant access after

[owner s resources mercury marine](#) - Apr 14 2023

service manual for mercury mariner 200 hp efi 4 stroke outboard 2002 2003 2004 2005 2006 2007 contains information such as tune ups for mercury mariner 200 hp efi 4 stroke

mercury mercruiser 4 5l mercury marine - Nov 09 2022

mercury outboard service manual directory by year mercury outboard production 1922 2007 1939 1964 1965 1966 1967 1968 1969 1970 1971 1972 1973

mercury 150 175 200hp 2stroke efi outboard repair manual - Nov 28 2021

mercury 200hp service repair manual pdf just give me the - Jun 16 2023

view and download mercury 200 operation and maintenance manual online 200 outboard motor pdf manual download also for 3 0 liter 225 250

mercury 200 pro xs operation maintenance and installation - Aug 06 2022

seloc marine engine repair guide and online repair service for mercury engines mercury 115 fourstroke command thrust 115 hp 4 cyl 2065cc 2 1l 1979 1980 1981 1982 1983 1984

mercury 20 efi fourstroke manuals manualslib - Oct 08 2022

view and download mercury 200 pro xs operation maintenance and installation manual online 200 pro xs engine pdf manual download also for 200

[seloc marine repair guides for mercury engines online and](#) - Jun 04 2022

service repair workshop manual available for instant to your computer tablet or smart phone this professional manual covers all repairs servicing and troubleshooting pro mercury

mercury 200 operation and maintenance - May 15 2023

owner s manuals to access a free digital owner s manual with consolidated information specific to your mercury engine please click here to order a printed version of the service manual

mercury 200 efi manuals manualslib - Sep 19 2023

manuals and user guides for mercury 200 efi we have 1 mercury 200 efi manual available for free pdf download service manual mercury 200 efi service manual 631 pages

mercury mariner 200 hp efi outboard 92 00 service manual - Feb 12 2023

mercury mariner 200 hp efi 1992 2000 workshop service manual have a question ask us what s included lifetime access fast download speeds online offline access access

mercury mariner outboard 200hp 200hp efi full - Apr 02 2022

view and download mercury 150 efi service manual online electronic fuel injection 150 efi engine pdf manual download also for 175 efi 200 efi 150xri 175xri 200xri 0t409000

mercury mariner 200 efi 2 stroke factory service repair manual - Dec 10 2022

mercury 20 efi fourstroke manuals manuals and user guides for mercury 20 efi fourstroke we have 2 mercury 20 efi fourstroke manuals available for free pdf download service

owners manuals mercury marine - Jul 17 2023

mercury mariner 200hp efi 1992 2000 outboard service repair manual download now best mercury mariner outboard 135hp 150hp 175hp 200hp service repair manual

mercury mariner 200 hp efi 1992 2000 workshop service manual - Jan 11 2023

mercury mariner 200 efi 2 stroke factory service repair manual meets all your information needs to repair or make some adjustments to your mercury mariner 200 efi 2 stroke this

mercury 200 efi service manual download crxsi com - Dec 30 2021

view and download mercury 200 user manual online mercury marine 200 225 250 275 outboard motor 200 outboard motor pdf manual download model designation