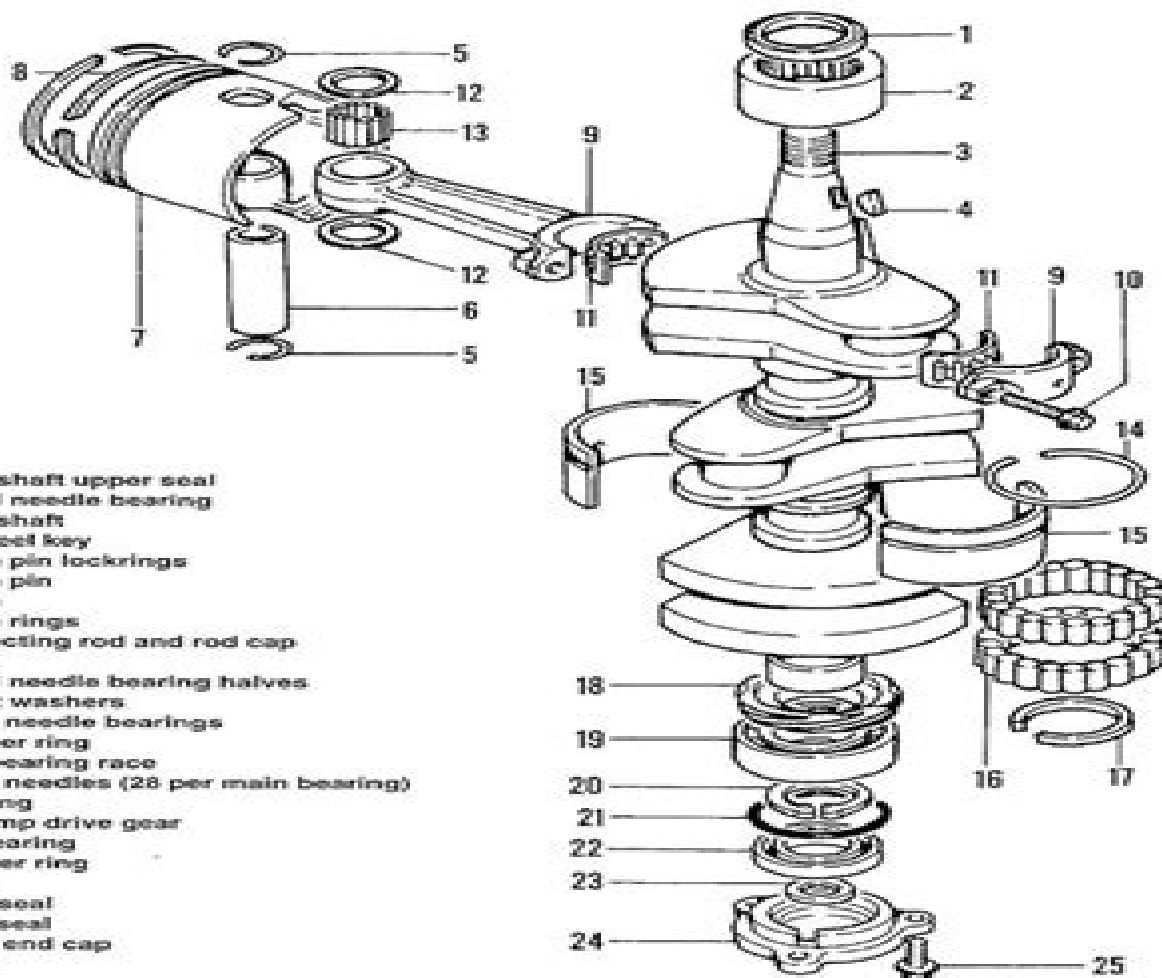


TheMotorBookstore.com

**CRANKSHAFT ASSEMBLY
(40-60 HP, 30 JET AND 45 JET MODELS)**



1. Crankshaft upper seal
2. Caged needle bearing
3. Crankshaft
4. Flywheel key
5. Piston pin lockrings
6. Piston pin
7. Piston
8. Piston rings
9. Connecting rod and rod cap
10. Screw
11. Caged needle bearing halves
12. Thrust washers
13. Loose needle bearings
14. Retainer ring
15. Main bearing race
16. Loose needles (28 per main bearing)
17. Seal ring
18. Oil pump drive gear
19. Ball bearing
20. Retainer ring
21. O-ring
22. Large seal
23. Small seal
24. Lower end cap
25. Screw

Mercury Classic 50 User Manual

VM Jensen



Mercury Classic 50 User Manual:

The Hollander Manual ,1957 Field & Stream ,1987-01 FIELD STREAM America s largest outdoor sports magazine celebrates the outdoor experience with great stories compelling photography and sound advice while honoring the traditions hunters and fishermen have passed down for generations Field & Stream ,1986-02 FIELD STREAM America s largest outdoor sports magazine celebrates the outdoor experience with great stories compelling photography and sound advice while honoring the traditions hunters and fishermen have passed down for generations *Field & Stream* ,1986-02 FIELD STREAM America s largest outdoor sports magazine celebrates the outdoor experience with great stories compelling photography and sound advice while honoring the traditions hunters and fishermen have passed down for generations

Field & Stream ,1986-02 FIELD STREAM America s largest outdoor sports magazine celebrates the outdoor experience with great stories compelling photography and sound advice while honoring the traditions hunters and fishermen have passed down for generations **Cars & Parts** ,1980 **Field & Stream** ,1986-02 FIELD STREAM America s largest outdoor sports magazine celebrates the outdoor experience with great stories compelling photography and sound advice while honoring the traditions hunters and fishermen have passed down for generations *The Ultimate Owner's Manual* Jack Doo,1991 New from Edmund a complete guide to buying financing insuring maintaining cars The book will analyze how to negotiate the purchase of a new or used car how to finance insure prepare for selling a car A section will explain dealer options that do not add value at resale Chapters on car care will explain the need for basic maintenance will provide easy to use charts to aid the user in keeping maintenance records *Field & Stream* ,1987-02 FIELD STREAM America s largest outdoor sports magazine celebrates the outdoor experience with great stories compelling photography and sound advice while honoring the traditions hunters and fishermen have passed down for generations Field & Stream ,1986-02 FIELD STREAM America s largest outdoor sports magazine celebrates the outdoor experience with great stories compelling photography and sound advice while honoring the traditions hunters and fishermen have passed down for generations

Whispering the Secrets of Language: An Emotional Quest through **Mercury Classic 50 User Manual**

In a digitally-driven earth where displays reign supreme and instant transmission drowns out the subtleties of language, the profound secrets and mental subtleties concealed within phrases usually go unheard. However, situated within the pages of **Mercury Classic 50 User Manual** a interesting literary treasure pulsing with natural thoughts, lies an exceptional journey waiting to be undertaken. Composed by a skilled wordsmith, this enchanting opus invites viewers on an introspective trip, gently unraveling the veiled truths and profound impact resonating within the very material of each and every word. Within the psychological depths of this moving evaluation, we will embark upon a heartfelt exploration of the book is key subjects, dissect its charming publishing model, and fail to the effective resonance it evokes deep within the recesses of readers hearts.

https://staging.conocer.cide.edu/book/book-search/Download_PDFS/mercedes%20w203%20ac%20fan%20diagrams.pdf

Table of Contents Mercury Classic 50 User Manual

1. Understanding the eBook Mercury Classic 50 User Manual
 - The Rise of Digital Reading Mercury Classic 50 User Manual
 - Advantages of eBooks Over Traditional Books
2. Identifying Mercury Classic 50 User Manual
 - Exploring Different Genres
 - Considering Fiction vs. Non-Fiction
 - Determining Your Reading Goals
3. Choosing the Right eBook Platform
 - Popular eBook Platforms
 - Features to Look for in an Mercury Classic 50 User Manual
 - User-Friendly Interface
4. Exploring eBook Recommendations from Mercury Classic 50 User Manual
 - Personalized Recommendations

- Mercury Classic 50 User Manual User Reviews and Ratings
- Mercury Classic 50 User Manual and Bestseller Lists
- 5. Accessing Mercury Classic 50 User Manual Free and Paid eBooks
 - Mercury Classic 50 User Manual Public Domain eBooks
 - Mercury Classic 50 User Manual eBook Subscription Services
 - Mercury Classic 50 User Manual Budget-Friendly Options
- 6. Navigating Mercury Classic 50 User Manual eBook Formats
 - ePub, PDF, MOBI, and More
 - Mercury Classic 50 User Manual Compatibility with Devices
 - Mercury Classic 50 User Manual Enhanced eBook Features
- 7. Enhancing Your Reading Experience
 - Adjustable Fonts and Text Sizes of Mercury Classic 50 User Manual
 - Highlighting and Note-Taking Mercury Classic 50 User Manual
 - Interactive Elements Mercury Classic 50 User Manual
- 8. Staying Engaged with Mercury Classic 50 User Manual
 - Joining Online Reading Communities
 - Participating in Virtual Book Clubs
 - Following Authors and Publishers Mercury Classic 50 User Manual
- 9. Balancing eBooks and Physical Books Mercury Classic 50 User Manual
 - Benefits of a Digital Library
 - Creating a Diverse Reading Collection Mercury Classic 50 User Manual
- 10. Overcoming Reading Challenges
 - Dealing with Digital Eye Strain
 - Minimizing Distractions
 - Managing Screen Time
- 11. Cultivating a Reading Routine Mercury Classic 50 User Manual
 - Setting Reading Goals Mercury Classic 50 User Manual
 - Carving Out Dedicated Reading Time
- 12. Sourcing Reliable Information of Mercury Classic 50 User Manual
 - Fact-Checking eBook Content of Mercury Classic 50 User Manual

- Distinguishing Credible Sources
- 13. Promoting Lifelong Learning
 - Utilizing eBooks for Skill Development
 - Exploring Educational eBooks
- 14. Embracing eBook Trends
 - Integration of Multimedia Elements
 - Interactive and Gamified eBooks

Mercury Classic 50 User Manual Introduction

Mercury Classic 50 User Manual Offers over 60,000 free eBooks, including many classics that are in the public domain. Open Library: Provides access to over 1 million free eBooks, including classic literature and contemporary works. Mercury Classic 50 User Manual Offers a vast collection of books, some of which are available for free as PDF downloads, particularly older books in the public domain. Mercury Classic 50 User Manual : This website hosts a vast collection of scientific articles, books, and textbooks. While it operates in a legal gray area due to copyright issues, its a popular resource for finding various publications. Internet Archive for Mercury Classic 50 User Manual : Has an extensive collection of digital content, including books, articles, videos, and more. It has a massive library of free downloadable books. Free-eBooks Mercury Classic 50 User Manual Offers a diverse range of free eBooks across various genres. Mercury Classic 50 User Manual Focuses mainly on educational books, textbooks, and business books. It offers free PDF downloads for educational purposes. Mercury Classic 50 User Manual Provides a large selection of free eBooks in different genres, which are available for download in various formats, including PDF. Finding specific Mercury Classic 50 User Manual, especially related to Mercury Classic 50 User Manual, might be challenging as theyre often artistic creations rather than practical blueprints. However, you can explore the following steps to search for or create your own Online Searches: Look for websites, forums, or blogs dedicated to Mercury Classic 50 User Manual, Sometimes enthusiasts share their designs or concepts in PDF format. Books and Magazines Some Mercury Classic 50 User Manual books or magazines might include. Look for these in online stores or libraries. Remember that while Mercury Classic 50 User Manual, sharing copyrighted material without permission is not legal. Always ensure youre either creating your own or obtaining them from legitimate sources that allow sharing and downloading. Library Check if your local library offers eBook lending services. Many libraries have digital catalogs where you can borrow Mercury Classic 50 User Manual eBooks for free, including popular titles. Online Retailers: Websites like Amazon, Google Books, or Apple Books often sell eBooks. Sometimes, authors or publishers offer promotions or free periods for certain books. Authors Website Occasionally, authors provide excerpts or short stories for free on their websites. While this

might not be the Mercury Classic 50 User Manual full book , it can give you a taste of the authors writing style.Subscription Services Platforms like Kindle Unlimited or Scribd offer subscription-based access to a wide range of Mercury Classic 50 User Manual eBooks, including some popular titles.

FAQs About Mercury Classic 50 User Manual Books

How do I know which eBook platform is the best for me? Finding the best eBook platform depends on your reading preferences and device compatibility. Research different platforms, read user reviews, and explore their features before making a choice. Are free eBooks of good quality? Yes, many reputable platforms offer high-quality free eBooks, including classics and public domain works. However, make sure to verify the source to ensure the eBook credibility. Can I read eBooks without an eReader? Absolutely! Most eBook platforms offer web-based readers or mobile apps that allow you to read eBooks on your computer, tablet, or smartphone. How do I avoid digital eye strain while reading eBooks? To prevent digital eye strain, take regular breaks, adjust the font size and background color, and ensure proper lighting while reading eBooks. What the advantage of interactive eBooks? Interactive eBooks incorporate multimedia elements, quizzes, and activities, enhancing the reader engagement and providing a more immersive learning experience. Mercury Classic 50 User Manual is one of the best book in our library for free trial. We provide copy of Mercury Classic 50 User Manual in digital format, so the resources that you find are reliable. There are also many Ebooks of related with Mercury Classic 50 User Manual. Where to download Mercury Classic 50 User Manual online for free? Are you looking for Mercury Classic 50 User Manual PDF? This is definitely going to save you time and cash in something you should think about.

Find Mercury Classic 50 User Manual :

mercedes w203 ac fan diagrams

[mercedes benz service manual w245](#)

mercedes benz repair manual 1996 e300

[mercruiser 2 5l engine wiring](#)

mercedes benz ml320 ml350 ml500 1997 repair service manual

mercedes e class 2010 manual

[mercedes user manual uk](#)

[mercruiser 454 efi ski service manual](#)

[*mercruiser 3 7 fresh water cooling system diagram*](#)

~~[*mercedes schedule b service reset*](#)~~

[*mercedes turismo manual turkish*](#)

~~[*mercedes vito manual w639 aire acondicionado*](#)~~

[*mercedes c230 manual transmission*](#)

~~[*mercedes vito 108 cdi workshop manual*](#)~~

[*mercedes benz s550 manual*](#)

Mercury Classic 50 User Manual :

labview core 1 exercises ni - Aug 02 2022

web the labwindows cvi core 1 course is recommended for new users with c programming experience users and technical managers evaluating labwindows cvi and users

[labviewtm core 1 participant guide ni](#) - Feb 08 2023

web the first step in the labview learning path the labview core 1 course gives you the chance to explore the labview environment and interactive analysis dataflow

[labview core1 course manual pdf free pdf manuals dl](#) - Mar 29 2022

web sep 12 2023 theory of knowledge tok is assessed through an exhibition and a 1 600 word essay it asks students to reflect on the nature of knowledge and on how we know

[labview core 1 pdf document](#) - Jul 13 2023

web feb 17 2016 click install the course materials 3 follow the onscreen instructions to complete installation and setup exercise files are located in the exercises labview

labview core 1 training course national instruments - Mar 09 2023

web worldwide technical support and product information ni com national instruments corporate headquarters 11500 north mopac expressway austin texas 78759 3504

labview core 1 course overview ni - Dec 06 2022

web the labview core 1 course helps you explore the labview environment dataflow programming and common labview development techniques in this course you will

download freeware labview core 1 training course ni community - May 31 2022

web 1 inserte el cd del curso en el ordenador aparecerán los cuadros de dialogo de labview core 1 course setup 2 haga clic en install the course materials 3 siga las

labview core 1 course manual pdf pdf scribd - Nov 05 2022

web 1 open manipulating arrays lvproj in the exercises labview core 1 manipulating arrays directory 2 open array manipulation vi from the project explorer sample window the

labview tm core 1 course manual course software - Jun 12 2023

web labwindowstm cvitm core 1 course manual labwindowstm cvitm core 1 course manual course software version 2010january 2011 editionpart number 325668a 01

labview core 1 course ni - Sep 03 2022

web jan 2 2020 re download freeware labview core 1 training course 01 03 2020 09 58 am the labview wiki is also a good start the online training section is probably what

lab view core 1 course manual pdf scribd - Apr 10 2023

web the labview core 1 course teaches you programming concepts technique s features vis and functions you can use to create test and measurement data acquisition

core 1 book ni - Jan 07 2023

web labwindows cvi core 1 course manual 4 2 ni com 4 bundle the executable into a distribution use the manage distributions dialog box to add edit or remove the distributions

core 1 book ni - Aug 14 2023

web labviewtm core 1 course manual course software version 2010 august 2010 edition part number 325290b 01 labview core 1 course manual copyright 1993 2010

labwindows cvi core 1 exercises ni - Oct 04 2022

web apr 12 2023 is there any way to obtain a hard copy of the labview classroom training booklets for core 1 and core 2 solution ni no longer offers the printed course

labwindows cvi core 1 course ni - Apr 29 2022

web view 2012 labview core 1 exercises manual pdf from elect eng 101 at cairo university tm labview core 1 exercises course software version 2012 august 2012

labview core1 manual de curso pdf pdf scribd - Feb 25 2022

web core lab a term of art referring to a consolidated diagnostic laboratory usually understood to be located at a distance from an acute hospital trust in the uk which

labwindows cvi core 1 course manual ni - May 11 2023

web beatrice secosan description lab view core 1 course manual manual instrumentatie virtuala copyright attribution non commercial by nc available formats download as

labview core 1 course manual ni - Oct 24 2021

obtain hard copy of labview core 1 and 2 course manual ni - Jul 01 2022

web labview core1 course manual the preview only show first 10 pages of manuals please download to view the full documents loading preview please wait submitted

theory of knowledge international baccalaureate - Dec 26 2021

web jul 12 2017 to get the most out of this course complete all the suggested reading material viii ni com labview core 1 course manual to access each of the following

core lab definition of core lab by medical dictionary - Nov 24 2021

labview core1 course manual free download pdf - Sep 22 2021

2012 labview core 1 exercises manual pdf course hero - Jan 27 2022

web labview core 1 course manual 5 2 ni com a arrays an array consists of elements and dimensions elements are the data that make up the array a dimension is the length

mechanical vibrations 6th edition rao solutions manual 1 pdf scribd - May 19 2022

web mechanical vibrations 6th edition rao solutions manual 1 free download as pdf file pdf text file txt or read online for free solutions manual

mechanical vibrations rao s s free download borrow and - Feb 25 2023

web mechanical vibrations by rao s s publication date 2005 topics vibration vibration problems exercises etc vibration problems et exercices vibration physical mechanische schwingung publisher singapore pearson prentice hall

mechanical vibrations ss rao 5th edition solution manual - Jun 19 2022

web mechanical vibrations ss rao 5th edition solution manual click the start the download

pdf mechanical vibrations fifth edition academia edu - May 31 2023

web his works on the oscillations of a simple pendulum and the vibration of strings are of fundamental significance in the theory of vibrations download free pdf view pdf matlab an introduction with applications rao v dukkipati

mechanical vibrations rao 5th solutions - Feb 13 2022

web mechanical vibrations rao 5th solutions mechanical vibrations jan 12 2022 mechanical vibrations theory and application to structural dynamics third edition is a comprehensively updated new edition of the popular textbook it presents the theory of vibrations in the context of structural analysis and

mechanical vibrations 5th edition by s s rao studylib net - Nov 24 2022

web free essays homework help flashcards research papers book reports term papers history science politics

mechanical vibrations singiresu s rao google books - Aug 02 2023

web singiresu s rao prentice hall 2011 vibration 1084 pages mechanical vibrations 5 e is ideal for undergraduate courses in vibration engineering retaining the style of its previous

[mechanical vibrations 5th edition by s s rao pdf pdfdrive](#) - Jul 01 2023

web mechanical vibrations 5th edition by s s rao pdf 1105 pages 2012 38 38 mb english by mechanical vibrations checking for file health mechanical vibrations 5th edition by s s rao

mechanical vibrations fifth edition academia edu - Jan 27 2023

web fundamentals of vibration galileo galilei 1564 1642 an italian astronomer philosopher and professor of mathematics at the universities of pisa and padua in 1609 became the first man to point a telescope to the sky he wrote the first treatise on modern dynamics in 1590 his works on the oscillations of a simple pendulum and the vibration

mechanical vibrations 6th edition rao solutions manual scribd - Apr 17 2022

web mechanical vibrations 6th edition rao solutions manual 1 free ebook download as pdf file pdf text file txt or read book online for free scribd is the world s largest social reading and publishing site

mechanical vibrations ss rao 5th edition solution manualpdf 3 scribd - Jul 21 2022

web pdfcoffee com mechanical vibrations ss rao 5th edition solution manualpdf 3 pdf free free ebook download as pdf file pdf or read book online for free scribd is the world s largest social reading and publishing site

rao mechanical vibrations 5th edition 2k9meduettaxila scribd - Oct 24 2022

web rao mechanical vibrations 5th edition 2k9meduettaxila wordpress com free download as powerpoint presentation ppt pptx pdf file pdf text file txt or view presentation slides online hahhahaoajka

mechanical vibrations fifth edition academia edu - Dec 26 2022

web fundamentals of vibration galileo galilei 1564 1642 an italian astronomer philosopher and professor of mathematics at the universities of pisa and padua in 1609 became the first man to point a telescope to the sky he wrote the first treatise on modern dynamics in 1590 his works on the oscillations of a simple pendulum and the vibration

344281464 mechanical vibrations ss rao 5th edition solution - Sep 22 2022

web download view 344281464 mechanical vibrations ss rao 5th edition solution manual as pdf for free more details pages 1 112 preview full text 344281464 mechanical vibrations ss rao 5th edition solution manual pnxk70w36x4v

mechanical vibrations pearson - Mar 29 2023

web vibrations fifth edition singiresu s rao university of miami prentice hall upper saddle river boston columbus san francisco

new york mechanical vibrations singiresu s rao 5th ed p cm includes index isbn 978 0 13 212819 3 978 0 13 212819 3 alk paper 1 vibration i title

mechanical vibrations ss rao 5th edition solution manual pdf pdf scribd - Sep 03 2023

web mechanical vibrations ss rao 5th edition solution manual pdf free ebook download as pdf file pdf or read book online for free scribd is the world s largest social reading and publishing site mechanical vibrations ss rao 5th edition solution manual pdf

mechanical vibrations fifth edition solutions manual scribd - Apr 29 2023

web manual free download mechanical vibrations fifth edition by singiresu s rao and read online solution manual mechanics of materials 4th edition beer johnston aerocastle files wordpress com 2012 10 mechanical vibrations 5th edition s s rao pdf mechanical vibrations rao 5th edition solution manual pdf

mechanical vibrations 6th edition rao solutions manual scribd - Mar 17 2022

web news i had radically altered the political european map with the defeat of the central powers including austria hungary germany bulgaria and the ottoman empire and the 1917 bolshevik seizure of power in russia which eventually led to the founding of the soviet union meanwhile the victorious allies of world war i such as france

mechanical vibrations by s s rao 5th edition faadooengineers - Aug 22 2022

web jun 28 2014 mechanical vibrations by s s rao 5th edition go to imechbook blogspot in to get the download link similar threads mechanical vibrations fundamentals of mechanical vibrations second edition by s graham kelly pdf download book required mechanical vibrations 1st edition by thammaiah gowda jagadeesha t d

mechanical vibrations 5th edition by singiresu s rao section scribd - Oct 04 2023

web mechanical vibrations 5th edition by singiresu s rao section 9 6 balancing free download as pdf file pdf or read online for free mechanical vibrations 5th edition by singiresu s rao section 9 6 balancing

edexcel igcse biology past papers study mind - Jan 13 2022

the digestive system in humans wjec test questions bbc - Sep 01 2023

web year 8 digestion quiz for 8th grade students find other quizzes for science and more on quizizz for free

examination İstanbul Üniversitesi - Dec 12 2021

what is the digestive system bbc bitesize - Nov 22 2022

web biology 7th 8th grade year 8 food and digestion new for 2020 e crean 154 plays 31 questions copy edit show answers see preview multiple choice 1 minute 1 pt b5 01

digestive system grade 8 426 plays quizizz - May 29 2023

web kidshealth kids quiz digestive system quiz digestive system print how much do you know about your digestive system find out by taking this quiz quiz digestive

cardiorespiratory fitness and incidence of digestive system - Nov 10 2021

phase iii gastrointestinal system diseases med307 - Feb 11 2022

web class 8 science human digestive system mcqs pdf download mcq digestive enzymes includes a lipase b proteases c carbohydrates d all of them mcq the

chapter 23 digestive system exam copy ams istanbul edu - Mar 15 2022

web nov 2 2023 purpose to assess the association between cardiorespiratory fitness crf and incidence of digestive system cancers dscs in men methods a prospective

food digestion and respiration year 8 mini test weebly - Jun 29 2023

web digestive system grade 8 quiz for 8th grade students find other quizzes for biology and more on quizizz for free

digestive system year 8 flashcards quizlet - Sep 20 2022

web gall bladder where bile is stored and then released as needed into the small intestine digestive system body system the breaks down food and absorbs nutrients liver an

digestion yr 8 1 3k plays quizizz - Oct 02 2023

web digestion yr 8 quiz for kg students find other quizzes for biology and more on quizizz for free

year 8 digestive system flashcards quizlet - Feb 23 2023

web year 8 digestive system showing top 8 worksheets in the category year 8 digestive system some of the worksheets displayed are grades 6 to 8 digestive system

digestive system year 8 diagram quizlet - May 17 2022

web our website provides easy access to a wide range of edexcel igcse biology past papers for practice covering the last five years and beyond practice with these papers to

the digestive system ks3 year 8 teaching - Dec 24 2022

web start studying year 8 digestive system learn vocabulary terms and more with flashcards games and other study tools

year 8 body systems 552 plays quizizz - Apr 15 2022

web systems of equation 1 degree 1 equation with two unknowns 2 equation with three unknowns operations questions 1 xoy 2x 5y 4xy etc sets 1

year 8 digestive system flashcards quizlet - Jun 17 2022

web 2020 2021 academic year phase iii gastrointestinal system diseases med307 04 29 jan 2021 code department theoretical practical

year 8 digestive system worksheets teacher worksheets - Oct 22 2022

web start studying year 8 digestive system learn vocabulary terms and more with flashcards games and other study tools

year 8 food and digestion new for 2020 154 plays quizizz - Jul 19 2022

web test digestive system flashcards and study sets no frames version chapter 23 the digestive system web site navigation navigation for chapter 23 the digestive

year 8 introduction to digestion full lesson - Jan 25 2023

web these words review the important functions and structures of the digestive system learn with flashcards games and more for free

ks3 year 8 digestive system teaching resources - Mar 27 2023

web ks2 what is the digestive system part of science animals including humans year 4 activity 2 digestive system quiz watch why we have a digestive system the

year 8 digestion 271 plays quizizz - Jul 31 2023

web food digestion and respiration year 8 mini test 38 minutes 59 marks the table shows the recommended daily intake of energy and some of the nutrients needed by different

quiz digestive system for kids nemours kidshealth - Apr 27 2023

web 1 salivary amylase 2 saliva 1 to break down starches 2 lubricate food esophagus peristalsis contraction of esophagus muscles to move bolus into stomach stomach

human digestive system mcq quiz pdf questions answers - Oct 10 2021

year 8 digestive system questions and study guide quizlet - Aug 20 2022

web which system transports materials from the digestive system and respiratory system to the cells