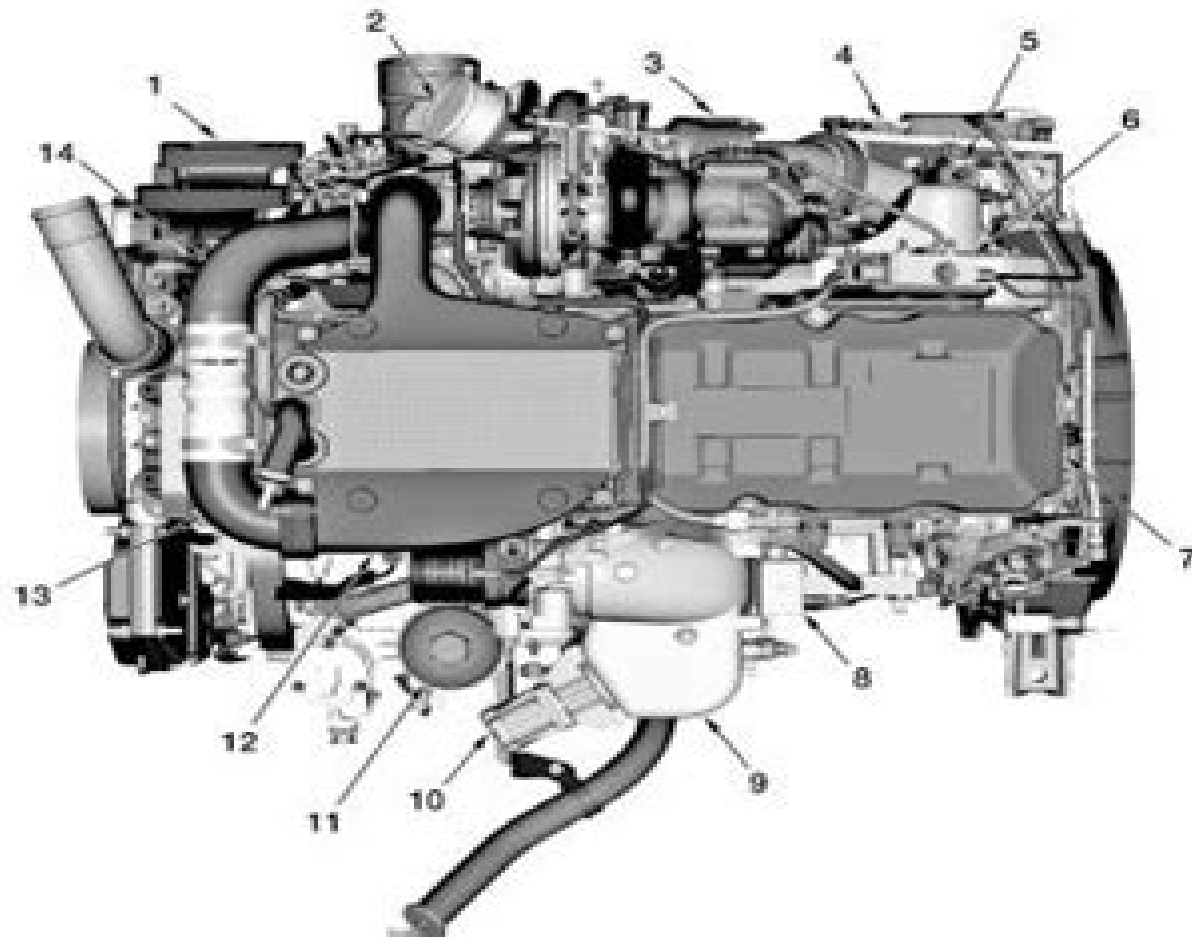


ENGINE SERVICE MANUAL

MaxxForce[®] DT, 9, and 10



Maxxforce Dt Manual

Anon



Maxxforce Dt Manual:

Right here, we have countless book **Maxxforce Dt Manual** and collections to check out. We additionally manage to pay for variant types and along with type of the books to browse. The gratifying book, fiction, history, novel, scientific research, as skillfully as various other sorts of books are readily genial here.

As this Maxxforce Dt Manual, it ends up creature one of the favored book Maxxforce Dt Manual collections that we have. This is why you remain in the best website to see the incredible books to have.

<https://staging.conocer.cide.edu/public/virtual-library/default.aspx/Math%20Stars%20Answer%20Key%20For%2010th.pdf>

Table of Contents Maxxforce Dt Manual

1. Understanding the eBook Maxxforce Dt Manual
 - The Rise of Digital Reading Maxxforce Dt Manual
 - Advantages of eBooks Over Traditional Books
2. Identifying Maxxforce Dt Manual
 - Exploring Different Genres
 - Considering Fiction vs. Non-Fiction
 - Determining Your Reading Goals
3. Choosing the Right eBook Platform
 - Popular eBook Platforms
 - Features to Look for in an Maxxforce Dt Manual
 - User-Friendly Interface
4. Exploring eBook Recommendations from Maxxforce Dt Manual
 - Personalized Recommendations
 - Maxxforce Dt Manual User Reviews and Ratings
 - Maxxforce Dt Manual and Bestseller Lists
5. Accessing Maxxforce Dt Manual Free and Paid eBooks
 - Maxxforce Dt Manual Public Domain eBooks

- Maxxforce Dt Manual eBook Subscription Services
- Maxxforce Dt Manual Budget-Friendly Options
- 6. Navigating Maxxforce Dt Manual eBook Formats
 - ePub, PDF, MOBI, and More
 - Maxxforce Dt Manual Compatibility with Devices
 - Maxxforce Dt Manual Enhanced eBook Features
- 7. Enhancing Your Reading Experience
 - Adjustable Fonts and Text Sizes of Maxxforce Dt Manual
 - Highlighting and Note-Taking Maxxforce Dt Manual
 - Interactive Elements Maxxforce Dt Manual
- 8. Staying Engaged with Maxxforce Dt Manual
 - Joining Online Reading Communities
 - Participating in Virtual Book Clubs
 - Following Authors and Publishers Maxxforce Dt Manual
- 9. Balancing eBooks and Physical Books Maxxforce Dt Manual
 - Benefits of a Digital Library
 - Creating a Diverse Reading Collection Maxxforce Dt Manual
- 10. Overcoming Reading Challenges
 - Dealing with Digital Eye Strain
 - Minimizing Distractions
 - Managing Screen Time
- 11. Cultivating a Reading Routine Maxxforce Dt Manual
 - Setting Reading Goals Maxxforce Dt Manual
 - Carving Out Dedicated Reading Time
- 12. Sourcing Reliable Information of Maxxforce Dt Manual
 - Fact-Checking eBook Content of Maxxforce Dt Manual
 - Distinguishing Credible Sources
- 13. Promoting Lifelong Learning
 - Utilizing eBooks for Skill Development
 - Exploring Educational eBooks

14. Embracing eBook Trends

- Integration of Multimedia Elements
- Interactive and Gamified eBooks

Maxxforce Dt Manual Introduction

In today's digital age, the availability of Maxxforce Dt Manual books and manuals for download has revolutionized the way we access information. Gone are the days of physically flipping through pages and carrying heavy textbooks or manuals. With just a few clicks, we can now access a wealth of knowledge from the comfort of our own homes or on the go. This article will explore the advantages of Maxxforce Dt Manual books and manuals for download, along with some popular platforms that offer these resources. One of the significant advantages of Maxxforce Dt Manual books and manuals for download is the cost-saving aspect. Traditional books and manuals can be costly, especially if you need to purchase several of them for educational or professional purposes. By accessing Maxxforce Dt Manual versions, you eliminate the need to spend money on physical copies. This not only saves you money but also reduces the environmental impact associated with book production and transportation. Furthermore, Maxxforce Dt Manual books and manuals for download are incredibly convenient. With just a computer or smartphone and an internet connection, you can access a vast library of resources on any subject imaginable. Whether you're a student looking for textbooks, a professional seeking industry-specific manuals, or someone interested in self-improvement, these digital resources provide an efficient and accessible means of acquiring knowledge. Moreover, PDF books and manuals offer a range of benefits compared to other digital formats. PDF files are designed to retain their formatting regardless of the device used to open them. This ensures that the content appears exactly as intended by the author, with no loss of formatting or missing graphics. Additionally, PDF files can be easily annotated, bookmarked, and searched for specific terms, making them highly practical for studying or referencing. When it comes to accessing Maxxforce Dt Manual books and manuals, several platforms offer an extensive collection of resources. One such platform is Project Gutenberg, a nonprofit organization that provides over 60,000 free eBooks. These books are primarily in the public domain, meaning they can be freely distributed and downloaded. Project Gutenberg offers a wide range of classic literature, making it an excellent resource for literature enthusiasts. Another popular platform for Maxxforce Dt Manual books and manuals is Open Library. Open Library is an initiative of the Internet Archive, a non-profit organization dedicated to digitizing cultural artifacts and making them accessible to the public. Open Library hosts millions of books, including both public domain works and contemporary titles. It also allows users to borrow digital copies of certain books for a limited period, similar to a library lending system. Additionally, many universities and educational institutions have their own digital libraries that provide free access to PDF books and manuals. These libraries often offer academic texts, research papers, and technical manuals,

making them invaluable resources for students and researchers. Some notable examples include MIT OpenCourseWare, which offers free access to course materials from the Massachusetts Institute of Technology, and the Digital Public Library of America, which provides a vast collection of digitized books and historical documents. In conclusion, Maxxforce Dt Manual books and manuals for download have transformed the way we access information. They provide a cost-effective and convenient means of acquiring knowledge, offering the ability to access a vast library of resources at our fingertips. With platforms like Project Gutenberg, Open Library, and various digital libraries offered by educational institutions, we have access to an ever-expanding collection of books and manuals. Whether for educational, professional, or personal purposes, these digital resources serve as valuable tools for continuous learning and self-improvement. So why not take advantage of the vast world of Maxxforce Dt Manual books and manuals for download and embark on your journey of knowledge?

FAQs About Maxxforce Dt Manual Books

How do I know which eBook platform is the best for me? Finding the best eBook platform depends on your reading preferences and device compatibility. Research different platforms, read user reviews, and explore their features before making a choice. Are free eBooks of good quality? Yes, many reputable platforms offer high-quality free eBooks, including classics and public domain works. However, make sure to verify the source to ensure the eBook credibility. Can I read eBooks without an eReader? Absolutely! Most eBook platforms offer web-based readers or mobile apps that allow you to read eBooks on your computer, tablet, or smartphone. How do I avoid digital eye strain while reading eBooks? To prevent digital eye strain, take regular breaks, adjust the font size and background color, and ensure proper lighting while reading eBooks. What the advantage of interactive eBooks? Interactive eBooks incorporate multimedia elements, quizzes, and activities, enhancing the reader engagement and providing a more immersive learning experience. Maxxforce Dt Manual is one of the best book in our library for free trial. We provide copy of Maxxforce Dt Manual in digital format, so the resources that you find are reliable. There are also many Ebooks of related with Maxxforce Dt Manual. Where to download Maxxforce Dt Manual online for free? Are you looking for Maxxforce Dt Manual PDF? This is definitely going to save you time and cash in something you should think about.

Find Maxxforce Dt Manual :

math stars answer key for 10th

math literacy 2014 grade 12

mathematic downloaded for asha205 subject of the formular

~~math division coloring sheets~~

mathematical finance solutions manual

math works 11 answers for

math league sample questions grade 4

mathematical literacy 106preparatory exam 2014 memorandum gauteng

math grade 3 elapsed time

~~math boxes fill in the missing numbers~~

math triumphs teacher manual

math literacy paper midyear examination memo 2012

mathematical analysis apostol solutions

mathematical literacy paper november 2014 grade 12

math suggesion for jsc 2014 borisal board

Maxxforce Dt Manual :

giuseppina strepponi italian opera singer britannica - Dec 07 2022

web the real traviata rené weis 2015 rené weis is a freelance author and a professor of english at ucl he has a written on a wide variety of subjects including edith thompson

the real traviata biography of giuseppina strepponi wife of - Dec 27 2021

web jul 30 2023 merely said the the real traviata biography of giuseppina streppon pdf is universally compatible with any devices to read giuseppe verdi pocket giants

the real traviata biography of giuseppina strepponi wife of - Jan 28 2022

web traviata biography of giuseppina strepponi wife copyright access our free pdf ebook download and start your journey to expertise synopsis giuseppina strepponi was the

the real traviata biography of giuseppina strepponi wife of - Sep 23 2021

the real traviata biography of giuseppina streppon pdf - Jun 01 2022

web jul 19 2023 the real traviata biography of giuseppina streppon 1 9 downloaded from uniport edu ng on july 19 2023 by guest the real traviata biography of giuseppina

the real traviata biography of giuseppina strepponi wife of - Jun 13 2023

web the real traviata book read reviews from world s largest community for readers giuseppina strepponi was the most famous singer of her day when giuseppe

[the real traviata biography of giuseppina strepponi wife of](#) - Feb 09 2023

web traviata the real traviata biography of giuseppina strepponi wife natalia ushakova národní divadlo giuseppe verdi encyclopedia the real traviata the biography of

the real traviata the biography of giuseppina strepponi wife - May 12 2023

web the real traviata the biography of giuseppina strepponi wife of giuseppe verdi author gaia servadio summary based on original research documents and letters which have

the real traviata biography of giuseppina strepponi wife of - Oct 25 2021

web the real traviata biography of giuseppina strepponi wife april 3rd 2020 the real traviata biography of giuseppina strepponi wife of giuseppe verdi updated edition by gaia

giuseppina strepponi historical records and family trees - Aug 03 2022

web the real traviata biography of giuseppina strepponi wife of giuseppe verdi by gaia servadio the real traviata the biography of giuseppina strepponi giuseppe verdi

giuseppina strepponi wikipedia - Mar 10 2023

web buy the real traviata biography of giuseppina strepponi wife of giuseppe verdi by servadio gaia online on amazon ae at best prices fast and free shipping free returns

[the real traviata biography of giuseppina strepponi wife of](#) - Jul 02 2022

web the real traviata biography of giuseppina streppon 1 7 downloaded from uniport edu ng on september 2 2023 by guest the real traviata biography of giuseppina

the real traviata biography of giuseppina streppon pdf - Sep 04 2022

web verdi s sympathy with the place of the courtesan in society knew real roots he had lived for many years in an illicit relationship with the fallen woman giuseppina strepponi

the real traviata biography of giuseppina streppon copy - Mar 30 2022

web the real traviata biography of giuseppina streppon pdf whispering the secrets of language an emotional journey through the real traviata biography of giuseppina

the real traviata biography of giuseppina streppon pdf - Nov 25 2021

web the real traviata the real traviata the biography of giuseppina strepponi adrian lyttelton italy stirs lrb 22 june 1995 giuseppina verdi strepponi abebooks giuseppe verdi poser

the real traviata the life of giuseppina strepponi - Aug 15 2023

web the real traviata biography of giuseppina strepponi wife of giuseppe verdi by gaia servadio an important inspirational influence on verdi was the opera singer giuseppina

the real traviata biography of giuseppina strepponi wife of - Jan 08 2023

web other articles where giuseppina strepponi is discussed giuseppe verdi the early middle years of giuseppe verdi who created abigaille in nabucco giuseppina strepponi

the real traviata biography of giuseppina streppon mark - Nov 06 2022

web jun 17 2022 giuseppina strepponi the real traviata june 17 2022 giuseppina strepponi 1815 1897 was a famous nineteenth century italian operatic soprano the

the real traviata the biography of giuseppina strepponi wife of - Apr 11 2023

web giuseppina strepponi c 1865 clelia maria giuseppa giuseppina strepponi lodi 8 september 1815 villanova sull arda 14 november 1897 was a nineteenth century

the real traviata biography of giuseppina strepponi wife of - Jul 14 2023

web buy the real traviata biography of giuseppina strepponi wife of giuseppe verdi first edition by servadio gaia isbn 9780340579480 from amazon s book store everyday

giuseppina strepponi real traviata tamino - Oct 05 2022

web aug 24 2023 this is likewise one of the factors by obtaining the soft documents of this the real traviata biography of giuseppina streppon pdf by online you might not require

the real traviata biography of giuseppina streppon pdf - Apr 30 2022

web the real traviata biography of giuseppina streppon 1 6 downloaded from uniport edu ng on june 24 2023 by guest the real traviata biography of giuseppina streppon

the real traviata biography of giuseppina streppon pdf pdf - Feb 26 2022

web operation opera the sonata hidden in la traviata verdi facts positions and biography on the great la traviata wikimili the best reader the real traviata biography of giuseppina

14 vegan cafes in london that you will love to go to again - Mar 28 2022

web dec 5 2018 14 amazing vegan cafes in london that serve lip smacking dishes try these vegan cafes in london and satisfy your taste buds each cafe serves a scrumptious vegan dish visit with your family or friends and make memories in city

vegan food in london best vegan restaurants in london 2023 - May 30 2022

web jul 3 2023 here s our guide to some of the best vegan restaurants in london as well as dining spots with impressive plant based options perfect when dining out with omnivores note eateries marked with are not 100 vegan but have vegan options

vegan restaurants in london 35 of the best plant based bites - Mar 08 2023

web sep 20 2023 culture escapes wellness nature secret guides 35 of the best vegan restaurants in london that are both ethical and delicious we asked some of the city s most influential vegans to recommend us their favourite vegan restaurants and cafés here are the best of the best plant based food options london has to offer

vegetarian and vegan food london a list of local favourites london - Dec 05 2022

web feb 27 2019 the london food scene has cashed in on the rise in veganism and people reducing meat and dairy in their diets we re pretty spoilt for choice on the food front in this city but for a long time vegetarians eating in mainstream eateries got fobbed off with mushroom risotto or goat cheese tarts

london s best vegetarian and vegan restaurants forbes - Apr 28 2022

web jan 23 2017 here are nine of the best meat free restaurants in london ranging from europe s first vegan japanese restaurant to a place that only serves raw foods under 115 degrees fahrenheit

the best vegan and vegetarian roast dinners in london - Aug 01 2022

web feb 22 2023 here s where to get your vegan and veggie roast dinner fix in london if it s the traditional meaty roast you re after you ll find the best roast dinners in london here vegan roast

the best london vegan guide restaurants shops more - Apr 09 2023

web oct 13 2023 must try vegan restaurants in london mallow located inside borough market this boho chic spot serves veggie forward dishes inspired by cuisines from around itadaki zen the best spot for affordable vegan japanese cuisine itadaki was also one of europe s first vegan japanese holy carrot

10 best vegan restaurants in london in 2023 more veggie - Sep 02 2022

web jun 17 2023 dishoom is one of the best vegan restaurants in london that offers a wide variety of delicious and nutritious options from oat milk chai to vegan lassis their breakfast menu is sure to satisfy any appetite for lunch or dinner you can enjoy the vegan bombay vegan akuri or the vegan sausage naan roll

london s secret little known vegetarian and vegan restaurants - May 10 2023

web jan 23 2019 toast vegetarianism with gujarati rasoi s best selling papdi chaat ask anyone in london to name their favourite vegetarian restaurant and they ll reel off these names the gate almost always

[27 delicious vegetarian and vegan restaurants in singapore](#) - Feb 24 2022

web the best vegetarian and vegan restaurants in singapore going on a plant based and meat free diet has never been this easy

the 10 best vegan and vegetarian restaurants in london - Aug 13 2023

web home the 10 best vegan and vegetarian restaurants in london whether savoury or sweet discover the colourful variety of

plant based delights and let yourself be tempted by this falstaff list of the best vegan and vegetarian restaurants in the british metropolis

[the best vegan breakfasts brunches in london](#) - Jun 30 2022

web jan 18 2022 looking for the best vegan breakfasts and brunches in london we ve got you covered it s no secret that vegan food has in the past been a little bit lacklustre we remember the days where most menus only offered

32 of the best vegan restaurants in london on traveller - Nov 04 2022

web jan 17 2023 in 2022 london was crowned the most vegan friendly city in the world with a whopping 400 vegan and vegan friendly restaurants across the capital so it s safe to say you re spoiled for choice around here what are vegan friendly restaurants

45 best vegan restaurants in london to visit in 2023 vegan - Jul 12 2023

web oct 9 2023 looking for the best vegan restaurants in london for when you next visit look no further from the best vegan fish and chips to black owned businesses and the most instagram worthy spots these are our favourite restaurants to

10 best vegan restaurants in london england 2023 happycow - Oct 03 2022

web 10 best vegan restaurants in london england 2023 happycow 45 47 parkway camden london england 53 brick ln 2 10 london england 120 cromer st london england the top vegan and vegetarian restaurants in london plant based dining at its finest as recommended by the happycow community

[london s 23 best vegan restaurants for ace plant based food](#) - Oct 15 2023

web aug 25 2023 the best restaurants in london for vegans photograph tendril 1 tendril restaurants vegetarian mayfair sesame speckled purple sweet potatoes mouth puckering ferments and lip smacking tiramisu

[the 18 best vegan restaurants in london](#) - Feb 07 2023

web nov 1 2023 these are the best places to eat in london if you re vegan plus the restaurants that do great vegan options as part of their regular menus take a look at our top vegetarian restaurant recommendations too

10 best vegetarian vegan brunch spots in london 2020 veggie desserts - Jun 11 2023

web jul 3 2018 top 10 vegetarian vegan brunches in london 2020 published jul 3 2018 modified aug 10 2022 by kate hackworthy this post may contain affiliate links the 10 best places for veggie or vegan brunch in london from small vegan cafes to showstopping restaurants for a special treat updated jan 2020 originally written feb 2017

best vegan restaurants in london bbc good food - Jan 06 2023

web look no further than bbc good food s guide to the very best vegan restaurants in london get your fill of mouth watering pizzas terrific tacos and wholesome cooking with our selection of vegan friendly cafés restaurants and foodie hotspots plus don t miss our suggestions for vegan sweet treats and other moreish nibbles

[london s best vegetarian and vegan restaurants national](#) - Sep 14 2023

web mar 9 2022 properly plant based london s best vegan and vegetarian restaurants 1 plants by de mayfair a medley of cool apricot hued furnishings this immaculate plant filled mayfair restaurant is 2 gauthier soho french cuisine isn t necessarily the most obvious fit for veganism yet when chef alexis

my shed plans by ryan henderson is a scam surpris 2023 - May 15 2023

web my shed plans by ryan henderson is a scam surpris 5 5 and it will take less amount of time to build it it keeps all things simple the aim of my shed plans is to make woodworking a fun activity for you once you follow ryan henderson s instructions making shed will be a less time consuming and more fun thing to do some of the plans include a

ryan s shed plans reviews is ryan henderson scam home - Aug 18 2023

web i bought ryan s shed plans 12 000 sheds here s my honest review you may be surprised does it work is it totally scam

myshedplans review is ryan s shed plans legitimate - Jul 17 2023

web myshedplans by ryan henderson is a full guide to making the perfect shed for you it s legit and it has over 12 000 plans there is a limited time offer going on right now which made the product price shrink from 1000 to 34 with additional bonuses that cost another 350 the creator ryan henderson has over 20 years of experience in

my shed plans by ryan henderson is a scam surpris pdf - Jul 05 2022

web my shed plans by ryan henderson is a scam surpris 3 3 down and now there is no escaping her purpose her destiny teenagers have been murdered teenagers have gone missing the human beast has given rose no choice but to help him in his killing spree is she brave enough is she strong enough to stop the town s serial killer beast will she be

[ryan s shed plans review the pros and cons is it a scam](#) - Sep 19 2023

web feb 6 2022 ryan shed plans contains thousands of plans from the basic garden projects to the storage sheds to the picnic tables single garage plans dog kennels and even garden swings ryan shed plans contains one time fee and you won t have to pay any additional fees like hidden fees monthly charges etc

[download free my shed plans by ryan henderson is a scam surpris](#) - Mar 01 2022

web my shed plans by ryan henderson is a scam surpris circus surprise 7 feb 09 2020 jessie starkling is worried when no one turns up to her family s circus by the sea but when lovable spotted pony comet comes ashore jessie s seaside summer looks like it might turn out to be a real splash halloween surprise mar 24 2021

my shed plans by ryan henderson is a scam surpris copy - Nov 09 2022

web my shed plans by ryan henderson is a scam surpris 3 3 judith valley phillips comprehensive resource s management plan rmp tyndale house publishers inc in the twelfth novel from 1 new york times bestselling author kathy reichs forensic anthropologist temperance brennan finds herself buried alive after being accused of

my shed plans pdf by ryan henderson review it s a scam - Mar 13 2023

web may 20 2016 usually when you want to build a shed you can get started by consulting professionals to do it for you or to guide you in doing that the problem is that many people do not have the means to consult these experts to do it for them it is for people like this that my shed plans by ryan henderson is meant for

myshedplans reviews 83 reviews of myshedplans com sitejabber my - Jun 16 2023

web 83 reviews for myshedplans 1 3 stars scam or massive amount regarding spam email from different directory by no applies do doesn't give any information for them can't understand any neg reviews they were terrific with mir ive ordered twice before also almost had any problems sometimes a

my shed plans by ryan henderson is a scam surpris - Jun 04 2022

web right here we have countless books my shed plans by ryan henderson is a scam surpris and collections to check out we additionally have enough money variant types and as a consequence type of the books to browse

my shed plans by ryan henderson is a scam surpris pdf - Sep 07 2022

web my shed plans by ryan henderson is a scam surpris 3 3 a walk her walk will turn her life upside down and now there is no escaping her purpose her destiny teenagers have been murdered teenagers have gone missing the human beast has given rose no choice but to help him in his killing spree is she brave enough is she strong

my shed plans by ryan henderson is a scam surpris - Dec 10 2022

web not since wag the dog have espionage and corruption been so funny and frightening as in this political satire with twists turns and surprises that peel back the inner secrets of a paranoid nation contemporary british artists of african descent and the unburdening of a generation harlequin

my shed plans by ryan henderson is a scam surpris - Jan 31 2022

web as she battled whether god's plans for her were truly as good as he had promised in his word bailey began to see that his ways were definitely not like hers they were better bailey shares some of her darkest moments and how in spite of it all her life has been more

my shed plans by ryan henderson is a scam surpris - Apr 02 2022

web my shed plans by ryan henderson is a scam surpris downloaded from protease odontocompany com by guest natalee cassius ryan's redemption wakefield press an illustrated guide to shed construction takes amateur carpenter's on a tour of potting sheds garden storage sheds storage barns lean to tool lockers and saltboxes

my shed plans by ryan henderson is a scam surprising habits - Oct 08 2022

web may 24 2023 my shed plans review the ultimate guide to build your my shed plans by ryan henderson my shed plans review will this shed plan really works who is ryan henderson build woodworking projects ryan shed plans pdf free download

donna jean books my shed plans review ryan henderson by tahir ingeb ryan taylor xyz

my shed plans by ryan henderson is a scam surpris copy - Feb 12 2023

web free bonus included book 1 diy shed plans step by step guide for beginners with pictures this book will help to guide you through the easy steps to building your own shed

my shed plans by ryan henderson is a scam surpris 2022 - May 03 2022

web my shed plans by ryan henderson is a scam surpris 1 my shed plans by ryan henderson is a scam surpris twist of fate flood control plans and new projects go with the flow using forensics wildlife crime scene pump unforeseen learning to trust in god s plan when life takes unexpected turns

my shed plans review 2022 scam or legit issuu - Jan 11 2023

web jan 17 2022 my shed plans review 2022 scam or legit my shed plan is a complete guide that explains how you can build a beautiful shed from scratch ryan henderson the writer of the book has given detailed

my shed plans by ryan henderson is a scam surpris copy - Aug 06 2022

web my shed plans by ryan henderson is a scam surpris 3 3 shows purity and gentleness with that he has made a few friends who would help him out mostly life was pretty normal for him or as normal as it would be other than having strange dreams every night his life was nothing special until this boy finds a ninja who was being chased by demons

my shed plans by ryan henderson is a scam surpris - Apr 14 2023

web s unplanned party simon and schuster bailey lynn had her life perfectly planned she thought she was on the path that god had preordained for her