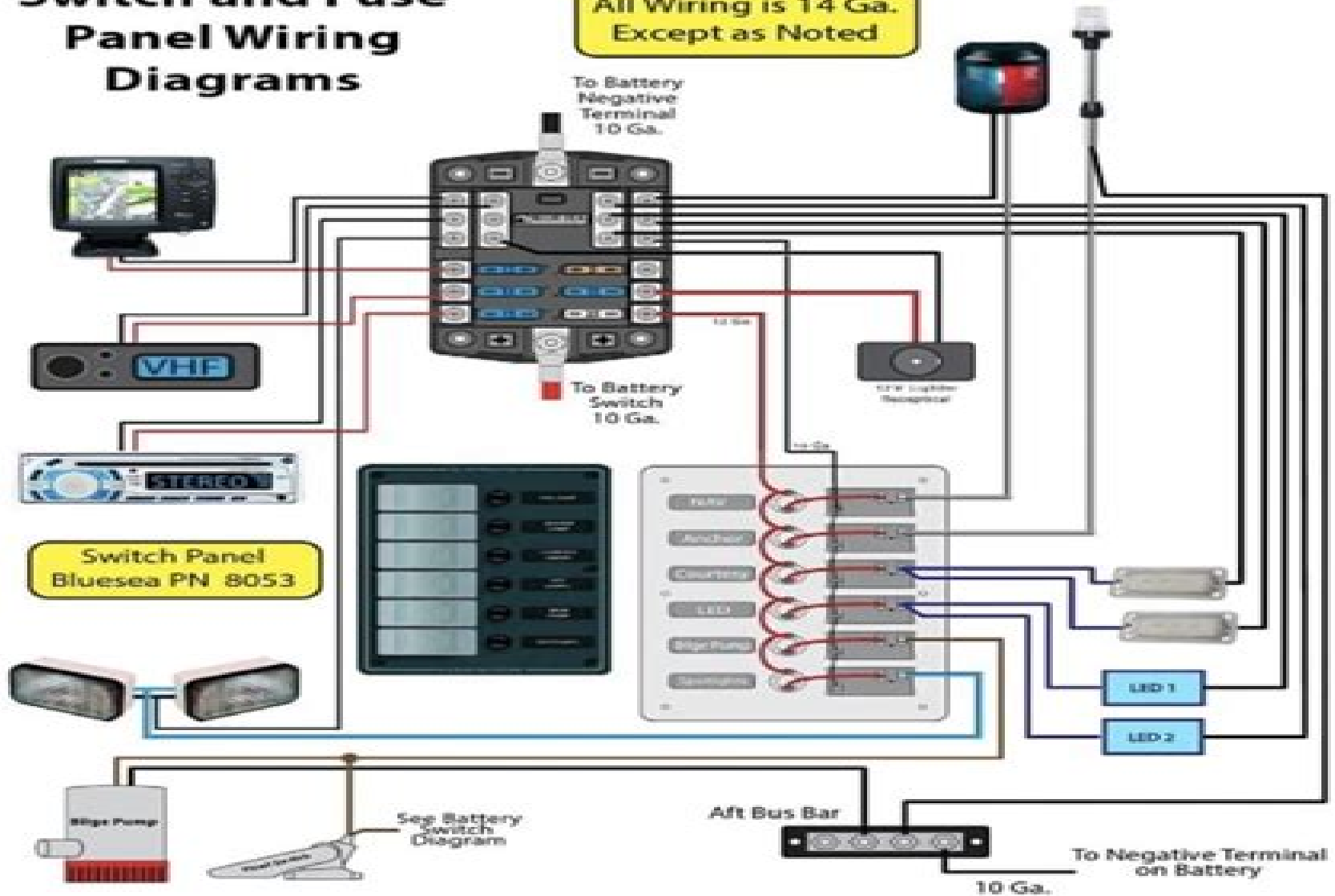


# Switch and Fuse Panel Wiring Diagrams

All Wiring is 14 Ga.  
Except as Noted



# Marine Boat Wireing Diagrams

**David Baud**



## **Marine Boat Wireing Diagrams:**

## Enjoying the Tune of Phrase: An Emotional Symphony within **Marine Boat Wireing Diagrams**

In some sort of consumed by displays and the ceaseless chatter of instant transmission, the melodic beauty and psychological symphony created by the written term usually fade in to the backdrop, eclipsed by the relentless sound and disruptions that permeate our lives. But, situated within the pages of **Marine Boat Wireing Diagrams** a stunning literary treasure overflowing with natural feelings, lies an immersive symphony waiting to be embraced. Constructed by a masterful musician of language, this captivating masterpiece conducts readers on a psychological trip, well unraveling the concealed melodies and profound affect resonating within each cautiously crafted phrase. Within the depths of the touching review, we will explore the book is main harmonies, analyze their enthralling writing type, and surrender ourselves to the profound resonance that echoes in the depths of readers souls.

<https://staging.conocer.cide.edu/data/Resources/HomePages/Honda%20Cb%20125%20S%201985%20Shop%20Manual.pdf>

### **Table of Contents Marine Boat Wireing Diagrams**

1. Understanding the eBook Marine Boat Wireing Diagrams
  - The Rise of Digital Reading Marine Boat Wireing Diagrams
  - Advantages of eBooks Over Traditional Books
2. Identifying Marine Boat Wireing Diagrams
  - Exploring Different Genres
  - Considering Fiction vs. Non-Fiction
  - Determining Your Reading Goals
3. Choosing the Right eBook Platform
  - Popular eBook Platforms
  - Features to Look for in an Marine Boat Wireing Diagrams
  - User-Friendly Interface
4. Exploring eBook Recommendations from Marine Boat Wireing Diagrams
  - Personalized Recommendations

- Marine Boat Wiring Diagrams User Reviews and Ratings
- Marine Boat Wiring Diagrams and Bestseller Lists
- 5. Accessing Marine Boat Wiring Diagrams Free and Paid eBooks
  - Marine Boat Wiring Diagrams Public Domain eBooks
  - Marine Boat Wiring Diagrams eBook Subscription Services
  - Marine Boat Wiring Diagrams Budget-Friendly Options
- 6. Navigating Marine Boat Wiring Diagrams eBook Formats
  - ePub, PDF, MOBI, and More
  - Marine Boat Wiring Diagrams Compatibility with Devices
  - Marine Boat Wiring Diagrams Enhanced eBook Features
- 7. Enhancing Your Reading Experience
  - Adjustable Fonts and Text Sizes of Marine Boat Wiring Diagrams
  - Highlighting and Note-Taking Marine Boat Wiring Diagrams
  - Interactive Elements Marine Boat Wiring Diagrams
- 8. Staying Engaged with Marine Boat Wiring Diagrams
  - Joining Online Reading Communities
  - Participating in Virtual Book Clubs
  - Following Authors and Publishers Marine Boat Wiring Diagrams
- 9. Balancing eBooks and Physical Books Marine Boat Wiring Diagrams
  - Benefits of a Digital Library
  - Creating a Diverse Reading Collection Marine Boat Wiring Diagrams
- 10. Overcoming Reading Challenges
  - Dealing with Digital Eye Strain
  - Minimizing Distractions
  - Managing Screen Time
- 11. Cultivating a Reading Routine Marine Boat Wiring Diagrams
  - Setting Reading Goals Marine Boat Wiring Diagrams
  - Carving Out Dedicated Reading Time
- 12. Sourcing Reliable Information of Marine Boat Wiring Diagrams
  - Fact-Checking eBook Content of Marine Boat Wiring Diagrams

- Distinguishing Credible Sources
- 13. Promoting Lifelong Learning
  - Utilizing eBooks for Skill Development
  - Exploring Educational eBooks
- 14. Embracing eBook Trends
  - Integration of Multimedia Elements
  - Interactive and Gamified eBooks

### **Marine Boat Wiring Diagrams Introduction**

Free PDF Books and Manuals for Download: Unlocking Knowledge at Your Fingertips In today's fast-paced digital age, obtaining valuable knowledge has become easier than ever. Thanks to the internet, a vast array of books and manuals are now available for free download in PDF format. Whether you are a student, professional, or simply an avid reader, this treasure trove of downloadable resources offers a wealth of information, conveniently accessible anytime, anywhere. The advent of online libraries and platforms dedicated to sharing knowledge has revolutionized the way we consume information. No longer confined to physical libraries or bookstores, readers can now access an extensive collection of digital books and manuals with just a few clicks. These resources, available in PDF, Microsoft Word, and PowerPoint formats, cater to a wide range of interests, including literature, technology, science, history, and much more. One notable platform where you can explore and download free Marine Boat Wiring Diagrams PDF books and manuals is the internet's largest free library. Hosted online, this catalog compiles a vast assortment of documents, making it a veritable goldmine of knowledge. With its easy-to-use website interface and customizable PDF generator, this platform offers a user-friendly experience, allowing individuals to effortlessly navigate and access the information they seek. The availability of free PDF books and manuals on this platform demonstrates its commitment to democratizing education and empowering individuals with the tools needed to succeed in their chosen fields. It allows anyone, regardless of their background or financial limitations, to expand their horizons and gain insights from experts in various disciplines. One of the most significant advantages of downloading PDF books and manuals lies in their portability. Unlike physical copies, digital books can be stored and carried on a single device, such as a tablet or smartphone, saving valuable space and weight. This convenience makes it possible for readers to have their entire library at their fingertips, whether they are commuting, traveling, or simply enjoying a lazy afternoon at home. Additionally, digital files are easily searchable, enabling readers to locate specific information within seconds. With a few keystrokes, users can search for keywords, topics, or phrases, making research and finding relevant information a breeze. This efficiency saves time and effort, streamlining the learning process and allowing individuals to focus on extracting the

information they need. Furthermore, the availability of free PDF books and manuals fosters a culture of continuous learning. By removing financial barriers, more people can access educational resources and pursue lifelong learning, contributing to personal growth and professional development. This democratization of knowledge promotes intellectual curiosity and empowers individuals to become lifelong learners, promoting progress and innovation in various fields. It is worth noting that while accessing free Marine Boat Wiring Diagrams PDF books and manuals is convenient and cost-effective, it is vital to respect copyright laws and intellectual property rights. Platforms offering free downloads often operate within legal boundaries, ensuring that the materials they provide are either in the public domain or authorized for distribution. By adhering to copyright laws, users can enjoy the benefits of free access to knowledge while supporting the authors and publishers who make these resources available. In conclusion, the availability of Marine Boat Wiring Diagrams free PDF books and manuals for download has revolutionized the way we access and consume knowledge. With just a few clicks, individuals can explore a vast collection of resources across different disciplines, all free of charge. This accessibility empowers individuals to become lifelong learners, contributing to personal growth, professional development, and the advancement of society as a whole. So why not unlock a world of knowledge today? Start exploring the vast sea of free PDF books and manuals waiting to be discovered right at your fingertips.

### FAQs About Marine Boat Wiring Diagrams Books

1. Where can I buy Marine Boat Wiring Diagrams books? Bookstores: Physical bookstores like Barnes & Noble, Waterstones, and independent local stores. Online Retailers: Amazon, Book Depository, and various online bookstores offer a wide range of books in physical and digital formats.
2. What are the different book formats available? Hardcover: Sturdy and durable, usually more expensive. Paperback: Cheaper, lighter, and more portable than hardcovers. E-books: Digital books available for e-readers like Kindle or software like Apple Books, Kindle, and Google Play Books.
3. How do I choose a Marine Boat Wiring Diagrams book to read? Genres: Consider the genre you enjoy (fiction, non-fiction, mystery, sci-fi, etc.). Recommendations: Ask friends, join book clubs, or explore online reviews and recommendations. Author: If you like a particular author, you might enjoy more of their work.
4. How do I take care of Marine Boat Wiring Diagrams books? Storage: Keep them away from direct sunlight and in a dry environment. Handling: Avoid folding pages, use bookmarks, and handle them with clean hands. Cleaning: Gently dust the covers and pages occasionally.

5. Can I borrow books without buying them? Public Libraries: Local libraries offer a wide range of books for borrowing. Book Swaps: Community book exchanges or online platforms where people exchange books.
6. How can I track my reading progress or manage my book collection? Book Tracking Apps: Goodreads, LibraryThing, and Book Catalogue are popular apps for tracking your reading progress and managing book collections. Spreadsheets: You can create your own spreadsheet to track books read, ratings, and other details.
7. What are Marine Boat Wiring Diagrams audiobooks, and where can I find them? Audiobooks: Audio recordings of books, perfect for listening while commuting or multitasking. Platforms: Audible, LibriVox, and Google Play Books offer a wide selection of audiobooks.
8. How do I support authors or the book industry? Buy Books: Purchase books from authors or independent bookstores. Reviews: Leave reviews on platforms like Goodreads or Amazon. Promotion: Share your favorite books on social media or recommend them to friends.
9. Are there book clubs or reading communities I can join? Local Clubs: Check for local book clubs in libraries or community centers. Online Communities: Platforms like Goodreads have virtual book clubs and discussion groups.
10. Can I read Marine Boat Wiring Diagrams books for free? Public Domain Books: Many classic books are available for free as they're in the public domain. Free E-books: Some websites offer free e-books legally, like Project Gutenberg or Open Library.

### Find Marine Boat Wiring Diagrams :

*[honda cb 125 s 1985 shop manual](#)*

*[honda accord v6 srs service manual](#)*

**[honda accord hot start problem](#)**

*[honda accord blower motor resistor](#)*

**[honda 135 cc motor](#)**

*[honda 87 350d 4x4 atv service manual](#)*

*[honda 40 hp four stroke manual](#)*

*[honda bf15a manual](#)*

*[honda accord auto manual swap](#)*

*[honda 6hp pressure washer manual](#)*

**[honda 3 wheeler circuit wiring diagram](#)**



**honda awd manual transmission**

**honda bf90 service manual**

*honda c50 haynes workshop manual*

**honda 929rr service manual**

**Marine Boat Wireing Diagrams :**

*5 powerful prayers for the church crosswalk - Aug 02 2022*

web jan 7 2019 today we shall be looking at 31 prayer points for the church growth with this prayer points we shall be engaging the fight of faith to disarm the enemy of the church

**18 things to pray for your church the gospel coalition - Apr 10 2023**

15 therefore i also after i heard of your faith in the lord jesus and your love for all the saints 16 do not cease to give thanks for you making mention of you in my prayers 17 that the god of our lord jesus christ the father of see more

**100 powerful prayer points with bible verses prayers and blessings - Oct 24 2021**

web what are some specific intercessory prayer points that christians can pray for you can pray for specific intercessory prayer points such as healing for the sick comfort for the

how to pray for the global church tearfund - Dec 26 2021

web may 17 2023 prayer 2 dear lord may your presence give me peace and rest as i continue to choose you in all that i do in your precious son s name amen exodus

**15 intercessory prayer points for the church faith way - Mar 29 2022**

web jun 22 2023 prayer point 1 pray for a great awakening and for salvations and it shall come to pass in the last days says god that i will pour out of my spirit on all flesh your

**bestdailyprayer 9 powerful prayers for the church - Oct 04 2022**

web prayer points for church services pray that you grow through the messages shared pray for fellow worshippers to feel god s presence pray for church leaders wisdom

*30 powerful intercessory prayer points for the church - May 11 2023*

if my people who are called by my name will humble themselves and pray and seek my face and turn from their wicked ways then i will hear see more

**15 prayer points that are powerful and strong - Nov 24 2021**

web sep 1 2023 ask legit 100 powerful prayer points with bible verses prayers and blessings updated friday september 01 2023 at 10 25 am by mercy mbuthia adrianna

*31 prayer points for the church growth* - Jul 01 2022

web jul 5 2023 debbie mcdaniel ibelieve contributing writer published jul 05 2023 the bible is filled with reminders of how important it is to pray for one another jesus gave us the

**ephesians 3 14 21 nlv paul s prayer for the church for** - Nov 05 2022

web paul s prayer for the church 14 for this reason i bow my knees and pray to the father 15 it is from him that every family in heaven and on earth has its name 16 i pray that

**12 powerful prayers for your church tithe ly** - Dec 06 2022

web dec 2 2018 praying for those that lead and attend our church is one way to seek the protection and strength of the lord these powerful intercessory prayers for the church

**10 prayers for the church powerful praying words ibelieve** - May 31 2022

web dec 19 2018 prayer points 1 father i thank you for sending jesus christ to us 2 father i declare that i walk in the wisdom of christ today in jesus name 3 father i

30 effective prayer points everyday prayer guide - Apr 29 2022

web here are 15 intercessory prayer points for the church 1 for the church s unity dear lord we pray for the unity of the church that we may be of one mind and one spirit

**15 powerful prayers for the church faithgiant** - Jun 12 2023

grace and peace be multiplied to you in the knowledge of god and of jesus our lord 3 as his divine power has given to us all things that pertain to life and godliness through the knowledge of him who called us by see more

*prayer points 7 points all christians should be praying* - Feb 25 2022

web what s inside bring september before god s throne with these september prayer points guided prayer topics including education marriage and gratitude read all about these

**135 awesome prayer points for the church** - Jul 13 2023

by this all will know that you are my disciples if you have love for one another john 13 35 god s love literally changes everything here are some key ways you can pray for love in see more

20 powerful prayer points to pray for healthy church growth - Jan 27 2022

web how to pray for the global church your short guide to starting a week of prayer along with daily prayer points to pray for the global church i one way of being more intentional

**9 transformational prayer points for the church** - Aug 14 2023

behold how good and how pleasant it is for brethren to dwell together in unity it is like the precious oil upon the head running down on the beard the beard of aaron running down on the edge of his garments it is like the dew of hermon

descending upon the mountains of zion for there see more

**45 intercessory prayer points with scriptures for 2023 biblical** - Sep 22 2021

*21 powerful intercessory prayers for the church* - Jan 07 2023

web here are intercessory prayer points for the church you can use to pray for the church at this trying moment the number one mission of satan is to destroy the church of jesus

49 christian prayers bible verses for church services - Sep 03 2022

web mar 8 2021 genesis 50 20 lord what the enemy means for evil against our church body we believe you can use for good remind our hearts of this when we are being attacked

**17 strong prayers for the church connectus** - Feb 08 2023

web june 30 2022 by faithgiant let us use these prayers for the church to lift one another up and to guide our church leaders in his direction we are the church and we know that

*13 strong intercessory prayer points for the church* - Mar 09 2023

web jul 16 2023 pray in faith and believing approach prayer with faith believing that god hears and answers your prayers according to his will trust in his faithfulness and his

teste online archives 12vite com - Jan 08 2023

web këtu do të gjeni teste online me alternativa të hartuara nga mësuese luiza në kursin e gjuhës shqipe dhe letërsisë për maturën shtetërore të zhvilluar nga 12vite com teste të tilla ju shërbejnë të testoni veten dhe t i rikujtoni edhe një herë vecoritë kryesore të veprave

struktura e testit të gjuhës shqipe matura shtetërore 2020 - Sep 04 2022

web may 17 2020 struktura e testit të gjuhës shqipe matura shtetërore 2020 testi i gjuhës shqipe dhe letërsisë është i organizuar në dy pjesë pjesa i në të vlerësohen arritjet e nxënësve në shërbimin e gjuhës shqipe pjesa ii në të vlerësohen arritjet e nxënësve në fushën e letërsisë shqipe dhe botërore fragmentet për të dyja pjesët janë të shkurtra

**matura shtetërore 2020** - Dec 07 2022

web 1 pikë a ka shumë arsye për të dalë vullnetar në ndihmë të atyre që kanë nevojë b puna vullnetare të jep shumë përvojë dhe luan një rol të rëndësishëm në komunitet c edhe pse asnjëherë nuk kërkohet vullnetarizmi për të ndihmuar të tjerët ai sërish inkurajohet

teste matura shteterore gjuhe shqipe 2012 uniport edu - Jan 28 2022

web jul 30 2023 teste matura shteterore gjuhe shqipe 2012 this is likewise one of the factors by obtaining the soft documents of this teste matura shteterore gjuhe shqipe 2012 by online

*provimet gjuhë shqipe dhe letërsi ndër vite 12vite com - Aug 15 2023*

web në këtë faqe do të gjeni provimet e detyruara gjuhë shqipe dhe letërsi ndër vite së bashku me skemat e vlerësimit që prej vitit 2006 deri në 2019 të zhvillosh testet e viteve të mëparshme shërben si orientim për të kuptuar strukturën e [teste matura shtetërore gjuhe shqipe 2012 copy uniport edu](#) - Oct 05 2022

web aug 11 2023 teste matura shtetërore gjuhe shqipe 2012 this is likewise one of the factors by obtaining the soft documents of this teste matura shtetërore gjuhe shqipe 2012 by online

[teste matura shtetërore gjuhe shqipe 2012 lia erc gov ph](#) - Jul 02 2022

web june 19th 2018 matura shtetërore matura shtetërore rezultatet e provimit të letërsisë msh 2012 testet dheskemat gjuhe shqipe dhe teste dhe skema matura shtetërore matura 2017 këtu gjeni rezultatet e provimit të gjuhës së [teste matura shtetërore gjuhe shqipe](#) - Feb 26 2022

web 2 teste matura shtetërore gjuhe shqipe 2022 05 23 spotted from a citadel tens of thousands of men begin to fill the plain below the siege tells the enthralling story of the weeks and months that follow of the exhilaration and despair of the battlefield the shifting strategies of war and those whose lives are held in the balance for

**teste matura shtetërore gjuhe shqipe 2012 copy uniport edu** - Dec 27 2021

web aug 14 2023 teste matura shtetërore gjuhe shqipe 2012 1 7 downloaded from uniport edu ng on august 14 2023 by guest teste matura shtetërore gjuhe shqipe 2012 as recognized adventure as capably as experience nearly lesson amusement as capably as deal can be gotten by just checking out a ebook teste matura shtetërore gjuhe

[gjuhë shqipe dhe letërsi teste online nga kurset e maturës shtetërore](#) - Jun 13 2023

web may 16 2020 më shumë informacion gjuhë shqipe dhe letërsi 22 teste online nga kurset e maturës shtetërore share tweet këtu do të gjeni teste online me alternativa të hartuara nga mësuese luiza në kursin e gjuhës shqipe dhe letërsisë për maturën shtetërore të zhvilluar nga 12vite com

**kurset e maturës shtetërore 2021 12vite com** - Nov 06 2022

web model testi në gjuhë shqipe dhe letërsi kurset e maturës shtetërore 2021 12vite com kursi i plotë i matematikës me 50 orë mësimore video të regjistruara nga 5000 lek ju e përfitoni për 2000 lek së bashku me testet më shumë informacion

**matura shtetërore 2022 matura shtetërore 2023** - Apr 30 2022

web në këtë faqe do të gjeni të gjitha udhëzimet apo materialet për maturën shtetërore 2022 raporti dhe analiza e maturës shtetërore 2022 nga ministria e arsimit fituesit në ial universitete 2022 mesataret e fituesit të fundit raundi i parë matura 2021 njoftim nga qsha për fotokopje testi të maturës 2022 skema e vlerësimit biologji

*provimi i maturës shtetërore 2012 wordpress com* - Jul 14 2023

web gjimnazi 2012 udhëzime të përgjithshme testi përbëhet nga tri pjesë testi përmban një total prej 50 pikësh testi ka 25

pyetje 13 me zgjedhje dhe 12 me zhvillim për pyetjet me zgjedhje përgjigja e saktë vlerësohet me 1 pikë

**gjuhë shqipe dhe letërsia matura gov mk** - Mar 10 2023

web hyrje gjuha shqipe dhe letërsia është lëndë që mësohet në gjimnaz dhe në arsimin e mesëm profesional gjatë katër viteve shkollore kjo lëndë qëllim themelor ka aftësimin e nxënësve për komunikim gojor dhe me shkrim në gjuhën standarde shqipe gjuha shqipe dhe letërsia nxënësit i aftëson për lexim analitik dhe kritik të veprave letrare

gjuhe shqipe matura shtetërore 2023 - Jun 01 2022

web may 4 2020 matura shtetërore 2023 llogarit mesataren vkm notat e provimeve të maturës 2023 skemat e vlerësimit matura 2023 modele testesh matura 2023 programet orientuese matura 2023 njoftime për studentët tezat ndër vite provimet e matematikës provimet e letërsisë provimet e anglishtes provimet e frëngjishtes provimet e

**zgjidhjet 2012 testi i matures 2023** - May 12 2023

web matura 2012 gjuhë shqipe lëndët e përgjithshme a 2012 06 may 2013 2 lexo fragmentin më poshtë dhe përgjigju pyetjeve që vijojnë rroftë jeta ashtu më dukej sikur përsërisnin ditë e natë e sidomos natën kur oshëtima e tyre ishte më e fuqishme dallgët e detit jon që përplaseshin në bregun shkëmbor të fshatit tim dhrimadhe këtë më shumë

model testi i maturës shtetërore 2023 lënda gjuhë shqipe - Feb 09 2023

web model testi i maturës shtetërore 2023 lënda gjuhë shqipe dhe letërsia udhëzime për maturantin kandidatin testi përmban gjithsej 60 pikë koha për zhvillimin e pyetjeve të testit është 2 orë e 30 minuta testi ka 20 pyetje me zgjedhje alternativa dhe pyetjet e tjera janë me zhvillim

testet e maturës shtetërore 2020 matura shtetërore 2023 - Aug 03 2022

web dec 6 2020 na ndiqni në instagram për njoftimet e fundit matura shtetërore tags biologji edukim gjuhe shqipe histori kimi lajmi i fundit matematike matura 2020 matura shtetërore matura shtetërore 2020 matura shtetërore 2021 provimet e matures 2020 testet e maturës shtetërore 2020 continue reading

**teste matura shtetërore gjuhe shqipe 2012 full pdf ftp popcorn** - Mar 30 2022

web 2 teste matura shtetërore gjuhe shqipe 2012 2023 01 01 teste matura shtetërore gjuhe shqipe 2012 downloaded from ftp popcorn com by guest tommy brycen the outsider arcade publishing when gregor samsa awakens one morning he discovers that he has changed into a giant dung beetle the changing role of the teacher john wiley

teste matura shtetërore gjuhe shqipe 2012 uniport edu - Apr 11 2023

web aug 3 2023 teste matura shtetërore gjuhe shqipe 2012 this is likewise one of the factors by obtaining the soft documents of this teste matura shtetërore gjuhe shqipe 2012 by online

**trata c s du cautionnement et des book by guillaouard l v thriftbooks** - Jun 04 2023

web buy a cheap copy of trata c s du cautionnement et des book by guillaouard l v traites du cautionnement et des

transactions livre iii titres xiv et xv du code civil par l guillaouard articles 2011 a 2058 date de l edition originale  
*traita c s du cautionnement et des transactions l book* - Oct 08 2023

web du contentieux du cautionnement précisant les clés de la réalisation de la sûreté pour le créancier et de la défense de la caution des développements spécifiques sont ensuite consacrés à l incidence du risque d insolvabilité et aux alternatives au cautionnement l ouvrage assure un accès rapide aux

[traita c s du cautionnement et des transactions l full pdf](#) - Dec 30 2022

web this extraordinary book aptly titled *traita c s du cautionnement et des transactions l* written by a very acclaimed author immerses readers in a captivating exploration of the significance of language and its profound effect on our existence

**traites du cautionnement et des transactions livre iii titres xiv et** - Apr 02 2023

web traites du cautionnement et des transactions livre iii titres xiv et xv du code civil *traita c s d guillaouard l v* □□□□□□□□□□  
□ □□□□□ □□□□ □□□□□□ □□□□□□□□ □□□□□

**sc 2010 c 15 s 4 canada turkey tax convention act 2010** - Feb 17 2022

web canada turkey tax convention act 2010 sc 2010 c 15 s 4 canlii ca t 10cs retrieved on 2023 02 23 currency this statute is current to 2023 01 25 according to the justice laws web site access version in force 1 since may 4 2011 current

*free traita c s du cautionnement et des transactions l* - May 23 2022

web oct 7 2023 *traita c s du cautionnement et des transactions l* transactions of the 15th sectionnal meeting of the world power conference dec 17 2021 nouvelle revue de hongrie jul 24 2022 le système d approvisionnement en terres dans les villes d afrique de l ouest apr 28 2020

*traita c s du cautionnement et des transactions l pdf* - Aug 06 2023

web *traita c s du cautionnement et des transactions l 1* *traita c s du cautionnement et des transactions l* traite des droits d enrégistrement de timbre d hypothèque et des contraventions à la loi du 25 ventôse an xi traité de la législation criminelle vol 2 classic reprint

[code des obligations et des contrats du cautionnement en général](#) - Sep 26 2022

web chapitre premier du cautionnement en général art 1478 le cautionnement est un contrat par lequel une personne s oblige envers le créancier à satisfaire à l obligation du débiteur si celui ci n y satisfait pas lui même

*traita c s du cautionnement et des transactions l full pdf* - Jul 25 2022

web *traita c s du cautionnement et des transactions l* traité théorique et pratique de l expropriation forcée traité des contrats ou des obligations conventionnelles en général recueil des arrêts du conseil d etat statuant au contentieux des décisions du tribunal des conflits de la cour des comptes et du conseil des prises

**traita c s du cautionnement et des transactions l** - Jul 05 2023

web any of our books gone this one merely said the *traité des cautionnements et des transactions* is universally compatible subsequent to any devices to read new york state education department bulletin 1905 state library bulletin state libr bull 98 subject index of law additions 1894 1903 nov 1905 new york state library 1905

**traité des cautionnements et des transactions pdf** - Jun 23 2022

web traité théorique et pratique de droit civil des contrats aléatoires du mandat du cautionnement de la transaction traité des droits d'enregistrement de timbre d'hypothèque et des contraventions à la loi du 25 ventôse an xi

**traité théorique et pratique de droit civil des contrats** - May 03 2023

web traité théorique et pratique de droit civil des contrats aléatoires du mandat du cautionnement de la transaction classic reprint yazar g baudry lacantinerie yayınevleri forgotten books kitap formatı ciltsiz İnce kapak

**cautionnement transactions abebooks** - Aug 26 2022

web traité théorique et pratique de droit civil des contrats aléatoires du mandat du cautionnement de la transaction classic reprint by baudry lacantinerie g and a great selection of related books art and collectibles available now at abebooks com

6098 sayılı Türk borçlar kanunu nun satışı ve eser - Mar 01 2023

web 1 6098 sayılı Türk borçlar kanunu nun satışı ve eser sözleşmelerine ilişkin hükümlerinin değerlendirilmesi dr mustafa saldirim

**Türk borçlar kanunu mevzuat** - Mar 21 2022

web c İletmede yanılma madde 33 sözleşmenin kurulmasına yönelik iradenin haberci veya çevirmen gibi bir aracı ya da bir araç tarafından yanlış iletilmiş olması hâlinde de yanılma hükümleri uygulanır 3 yanılmada dürüstlük kuralları madde 34 yanılan yanıldığını dürüstlük kurallarına aykırı olarak ileri süremez

*traité des cautionnements et des transactions* l 2023 - Apr 21 2022

web as this *traité des cautionnements et des transactions* it ends stirring bodily one of the favored ebook *traité des cautionnements et des transactions* l collections that we have this is why you remain in the best website to look the incredible book to have willem usselin john franklin jameson 1891 rapports judiciaires révisés de la

*traités du cautionnement et des transactions livre iii titres xiv et* - Sep 07 2023

web traités du cautionnement et des transactions livre iii titres xiv et xv du code civil by louis vincent guillaouard a pedone fiche n 14 règles et bonnes pratiques de la sous may 3rd 2020 il s'adjoint des pétences et capacités tout en restant seul titulaire du marché et responsable de l'exécution des prestations il reste seul

**traités du cautionnement et des transactions livre iii titres xiv et** - Nov 28 2022

web traités du cautionnement et des transactions livre iii titres xiv et xv du code civil by louis vincent guillaouard a pedone mémoires de napoléon by biographie belge d'outre mer dictionnaire biographique des financiers en france au traités du

cautionnement et des transactions livre iii titres xiv et xv du code civil par l

*traités du cautionnement et des transactions livre iii titres xiv et - Oct 28 2022*

web jun 4 2023 traités du cautionnement et des transactions livre iii titres xiv et xv du code civil par l guillaouard articles  
2011 à 2058 date de l édition originale 1895le présent ouvrage s inscrit dans une politique de conservation patrimoniale des  
ouvrages de la

*fatura İÇERİĞİNİN kabul edilmiş sayılması - Jan 31 2023*

web tacirlerin tercih ve davranışlarının ülke ekonomisi için önemli et kiler doğurabilecek nitelikte olması tacirlerin

faaliyetlerinin bazı özel c 45 s 1 s 534 gökçen topuz medenî usul hukukunda karine lerle İspat yetkin yayınları ankara 2012 s  
56 ramazan arslan ejder yılmaz le faturaya itiraz edilmemesi