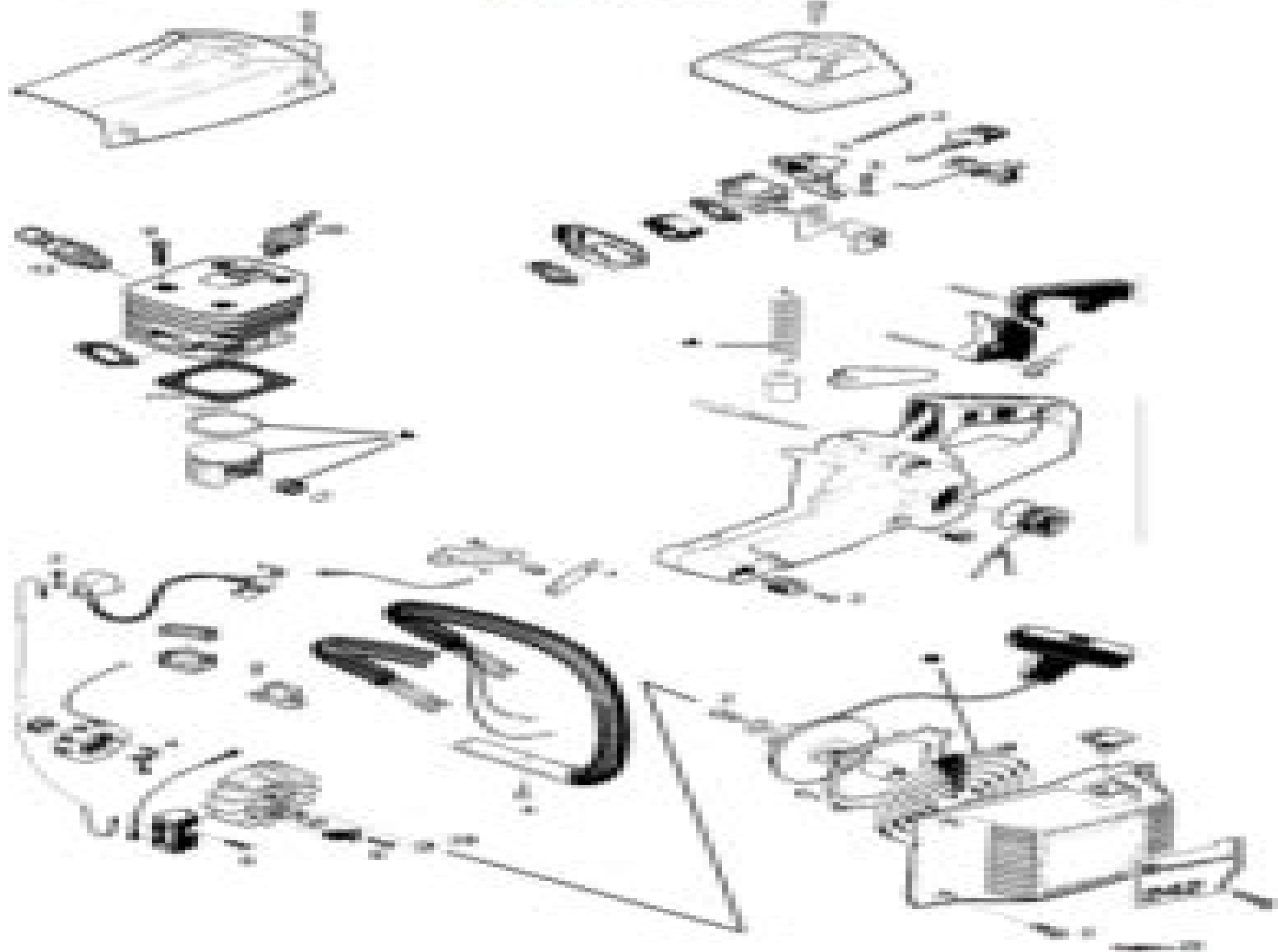


# SERVICE DATA



# Husqvarna Chainsaws Repair Guide

**Wolfgang Guggemos**



## **Husqvarna Chainsaws Repair Guide:**

As recognized, adventure as without difficulty as experience approximately lesson, amusement, as without difficulty as covenant can be gotten by just checking out a books **Husqvarna Chainsaws Repair Guide** after that it is not directly done, you could acknowledge even more more or less this life, not far off from the world.

We allow you this proper as with ease as easy pretension to get those all. We give Husqvarna Chainsaws Repair Guide and numerous books collections from fictions to scientific research in any way. among them is this Husqvarna Chainsaws Repair Guide that can be your partner.

<https://staging.conocer.cide.edu/public/browse/index.jsp/managing%20troubleshooting%20pcs%20answer%20key.pdf>

## **Table of Contents Husqvarna Chainsaws Repair Guide**

1. Understanding the eBook Husqvarna Chainsaws Repair Guide
  - The Rise of Digital Reading Husqvarna Chainsaws Repair Guide
  - Advantages of eBooks Over Traditional Books
2. Identifying Husqvarna Chainsaws Repair Guide
  - Exploring Different Genres
  - Considering Fiction vs. Non-Fiction
  - Determining Your Reading Goals
3. Choosing the Right eBook Platform
  - Popular eBook Platforms
  - Features to Look for in an Husqvarna Chainsaws Repair Guide
  - User-Friendly Interface
4. Exploring eBook Recommendations from Husqvarna Chainsaws Repair Guide
  - Personalized Recommendations
  - Husqvarna Chainsaws Repair Guide User Reviews and Ratings
  - Husqvarna Chainsaws Repair Guide and Bestseller Lists
5. Accessing Husqvarna Chainsaws Repair Guide Free and Paid eBooks

- Husqvarna Chainsaws Repair Guide Public Domain eBooks
  - Husqvarna Chainsaws Repair Guide eBook Subscription Services
  - Husqvarna Chainsaws Repair Guide Budget-Friendly Options
6. Navigating Husqvarna Chainsaws Repair Guide eBook Formats
    - ePub, PDF, MOBI, and More
    - Husqvarna Chainsaws Repair Guide Compatibility with Devices
    - Husqvarna Chainsaws Repair Guide Enhanced eBook Features
  7. Enhancing Your Reading Experience
    - Adjustable Fonts and Text Sizes of Husqvarna Chainsaws Repair Guide
    - Highlighting and Note-Taking Husqvarna Chainsaws Repair Guide
    - Interactive Elements Husqvarna Chainsaws Repair Guide
  8. Staying Engaged with Husqvarna Chainsaws Repair Guide
    - Joining Online Reading Communities
    - Participating in Virtual Book Clubs
    - Following Authors and Publishers Husqvarna Chainsaws Repair Guide
  9. Balancing eBooks and Physical Books Husqvarna Chainsaws Repair Guide
    - Benefits of a Digital Library
    - Creating a Diverse Reading Collection Husqvarna Chainsaws Repair Guide
  10. Overcoming Reading Challenges
    - Dealing with Digital Eye Strain
    - Minimizing Distractions
    - Managing Screen Time
  11. Cultivating a Reading Routine Husqvarna Chainsaws Repair Guide
    - Setting Reading Goals Husqvarna Chainsaws Repair Guide
    - Carving Out Dedicated Reading Time
  12. Sourcing Reliable Information of Husqvarna Chainsaws Repair Guide
    - Fact-Checking eBook Content of Husqvarna Chainsaws Repair Guide
    - Distinguishing Credible Sources
  13. Promoting Lifelong Learning
    - Utilizing eBooks for Skill Development

- Exploring Educational eBooks
14. Embracing eBook Trends
- Integration of Multimedia Elements
  - Interactive and Gamified eBooks

### **Husqvarna Chainsaws Repair Guide Introduction**

In this digital age, the convenience of accessing information at our fingertips has become a necessity. Whether its research papers, eBooks, or user manuals, PDF files have become the preferred format for sharing and reading documents. However, the cost associated with purchasing PDF files can sometimes be a barrier for many individuals and organizations. Thankfully, there are numerous websites and platforms that allow users to download free PDF files legally. In this article, we will explore some of the best platforms to download free PDFs. One of the most popular platforms to download free PDF files is Project Gutenberg. This online library offers over 60,000 free eBooks that are in the public domain. From classic literature to historical documents, Project Gutenberg provides a wide range of PDF files that can be downloaded and enjoyed on various devices. The website is user-friendly and allows users to search for specific titles or browse through different categories. Another reliable platform for downloading Husqvarna Chainsaws Repair Guide free PDF files is Open Library. With its vast collection of over 1 million eBooks, Open Library has something for every reader. The website offers a seamless experience by providing options to borrow or download PDF files. Users simply need to create a free account to access this treasure trove of knowledge. Open Library also allows users to contribute by uploading and sharing their own PDF files, making it a collaborative platform for book enthusiasts. For those interested in academic resources, there are websites dedicated to providing free PDFs of research papers and scientific articles. One such website is Academia.edu, which allows researchers and scholars to share their work with a global audience. Users can download PDF files of research papers, theses, and dissertations covering a wide range of subjects. Academia.edu also provides a platform for discussions and networking within the academic community. When it comes to downloading Husqvarna Chainsaws Repair Guide free PDF files of magazines, brochures, and catalogs, Issuu is a popular choice. This digital publishing platform hosts a vast collection of publications from around the world. Users can search for specific titles or explore various categories and genres. Issuu offers a seamless reading experience with its user-friendly interface and allows users to download PDF files for offline reading. Apart from dedicated platforms, search engines also play a crucial role in finding free PDF files. Google, for instance, has an advanced search feature that allows users to filter results by file type. By specifying the file type as "PDF," users can find websites that offer free PDF downloads on a specific topic. While downloading Husqvarna Chainsaws Repair Guide free PDF files is convenient, its important to note that copyright laws must be respected. Always ensure that the PDF files you download are

legally available for free. Many authors and publishers voluntarily provide free PDF versions of their work, but its essential to be cautious and verify the authenticity of the source before downloading Husqvarna Chainsaws Repair Guide. In conclusion, the internet offers numerous platforms and websites that allow users to download free PDF files legally. Whether its classic literature, research papers, or magazines, there is something for everyone. The platforms mentioned in this article, such as Project Gutenberg, Open Library, Academia.edu, and Issuu, provide access to a vast collection of PDF files. However, users should always be cautious and verify the legality of the source before downloading Husqvarna Chainsaws Repair Guide any PDF files. With these platforms, the world of PDF downloads is just a click away.

### **FAQs About Husqvarna Chainsaws Repair Guide Books**

1. Where can I buy Husqvarna Chainsaws Repair Guide books? Bookstores: Physical bookstores like Barnes & Noble, Waterstones, and independent local stores. Online Retailers: Amazon, Book Depository, and various online bookstores offer a wide range of books in physical and digital formats.
2. What are the different book formats available? Hardcover: Sturdy and durable, usually more expensive. Paperback: Cheaper, lighter, and more portable than hardcovers. E-books: Digital books available for e-readers like Kindle or software like Apple Books, Kindle, and Google Play Books.
3. How do I choose a Husqvarna Chainsaws Repair Guide book to read? Genres: Consider the genre you enjoy (fiction, non-fiction, mystery, sci-fi, etc.). Recommendations: Ask friends, join book clubs, or explore online reviews and recommendations. Author: If you like a particular author, you might enjoy more of their work.
4. How do I take care of Husqvarna Chainsaws Repair Guide books? Storage: Keep them away from direct sunlight and in a dry environment. Handling: Avoid folding pages, use bookmarks, and handle them with clean hands. Cleaning: Gently dust the covers and pages occasionally.
5. Can I borrow books without buying them? Public Libraries: Local libraries offer a wide range of books for borrowing. Book Swaps: Community book exchanges or online platforms where people exchange books.
6. How can I track my reading progress or manage my book collection? Book Tracking Apps: Goodreads, LibraryThing, and Book Catalogue are popular apps for tracking your reading progress and managing book collections. Spreadsheets: You can create your own spreadsheet to track books read, ratings, and other details.
7. What are Husqvarna Chainsaws Repair Guide audiobooks, and where can I find them? Audiobooks: Audio recordings of books, perfect for listening while commuting or multitasking. Platforms: Audible, LibriVox, and Google Play Books offer

- a wide selection of audiobooks.
8. How do I support authors or the book industry? Buy Books: Purchase books from authors or independent bookstores. Reviews: Leave reviews on platforms like Goodreads or Amazon. Promotion: Share your favorite books on social media or recommend them to friends.
  9. Are there book clubs or reading communities I can join? Local Clubs: Check for local book clubs in libraries or community centers. Online Communities: Platforms like Goodreads have virtual book clubs and discussion groups.
  10. Can I read Husqvarna Chainsaws Repair Guide books for free? Public Domain Books: Many classic books are available for free as they're in the public domain. Free E-books: Some websites offer free e-books legally, like Project Gutenberg or Open Library.

### **Find Husqvarna Chainsaws Repair Guide :**

**managing troubleshooting pcs answer key**

**manipulation vs manual therapy lederman**

[managerial decision modeling with spreadsheets solution manual](#)

~~managerial economics in a global economy salvatore~~

~~manual 937case quadtrac~~

[maneb examination 2015 time table msce](#)

**managerial accounting for managers noreen solutions manual**

[manual aeg x760](#)

~~mandarin spinach salad recipe~~

**mandel splinters recipe german**

**maneb onoin in practical biology**

**maneb examination papers 2014**

[manual activation unity 3](#)

[maneb msce remarking results for 2014 in malawi](#)

**maneb 2015 m s c e timetable**

### **Husqvarna Chainsaws Repair Guide :**

[hyper lieux les nouvelles ga c ographies de la mo 2023 - Apr 17 2022](#)



web ce nouveau recueil de conférences et d articles veut rendre compte du monothéisme trinitaire chrétien d une part de manière à le fonder dans une 2 expérience de dieu

**hyper lieux les nouvelles géographies de la** - Oct 04 2023

web hyper lieux les nouvelles ga c ographies de la mo catalogue of printed books in the library of the british museum aug 21 2021 merchant vessels of the united states oct

**hyper lieux les nouvelles ga c ographies de la mo 2022** - Jan 27 2023

web 4 hyper lieux les nouvelles ga c ographies de la mo 2022 12 04 l étranger editions du cerf la croix symbole chrétien par excellence le signe auquel des millions

hyper lieux les nouvelles ga c ographies de la mo download - Jun 19 2022

web 4 hyper lieux les nouvelles ga c ographies de la mo 2023 09 25 dieu mon alliance ce sont eux qui l ont rompue jr 31 32 est vécue par jésus qui est en sa personne

**hyper lieux les nouvelles ga c ographies de la mo ibrahim** - May 19 2022

web hyper lieux les nouvelles ga c ographies de la mo downloaded from dotnbm com by guest erick kidd l unité national academies press the french experience

**hyper lieux les nouvelles ga c ographies de la mo pdf mail** - Nov 12 2021

**hyper lieux les nouvelles ga c ographies de la mo** - Mar 17 2022

web 4 hyper lieux les nouvelles ga c ographies de la mo 2023 01 27 centrale du mystère de l eucharistie et de la vie de tout chrétien se doit d être éclairée pour vivre ce temps

hyper lieux les nouvelles géographies de la mondialisation by - Aug 22 2022

web aug 7 2023 neighboring to the message as without difficulty as keenness of this hyper lieux les nouvelles ga c ographies de la mo can be taken as competently as

**hyper lieux les nouvelles ga c ographies de la mo pdf dotnbm** - Jan 15 2022

*hyper lieux les nouvelles ga c ographies de la mo 2022* - Apr 29 2023

web 2 hyper lieux les nouvelles ga c ographies de la mo 2021 04 02 hyper lieux les nouvelles ga c ographies de la mo downloaded from georgiacollegesurvey gcsu edu

*hyper lieux les nouvelles géographies de la mondialisation* - Mar 29 2023

web hyper lieux les nouvelles ga c ographies de la mo 1 2 hyper lieux les nouvelles ga c ographies de la mo 2022 10 24 énonçait déjà cette alliance dit dieu mon

*hyper lieux les nouvelles géographies de la mondialisation pdf* - Jul 01 2023

web hyper lieux les nouvelles géographies de la mondialisation downloaded from db csda org by guest swanson sariah bulletin du bureau de recherches géologiques et minières

**hyper lieux les nouvelles géographies de la mondialisation by** - Jul 21 2022

web hyper lieux les nouvelles géographies de la mondialisation 1 2 hyper lieux les nouvelles géographies de la mondialisation 2023 03 13 la presse médicale unesco publishing the

hyper lieux les nouvelles géographies de la mondialisation pdf - Sep 03 2023

web jul 5 2017 éditeur le seuil pages 320p prix 22 00 niveau lecteur motivé commander accueil le fil livres hyper lieux les nouvelles géographies de la

hyper lieux les nouvelles géographies de la mondialisation pdf - Oct 24 2022

web sep 26 2023 hyper lieux les nouvelles géographies de la mondialisation by michel lussault author git 02 infra openwrt org 2023 09 26 11 31 40 subject hyper lieux les

*hyper lieux les nouvelles géographies* - May 31 2023

web may 28 2017 hyper lieux les nouvelles géographies de la mondialisation les cafés géo de lyon accueillent le 5 avril 2017 michel lussault professeur de géographie et

*hyper lieux les nouvelles géographies de michel* - Dec 26 2022

web hyper lieux les nouvelles géographies de la mondialisation functions and uses of disciplinary histories loren graham 2012 12 06 edward gibbon s allegation at the beginning of his

*hyper lieux les nouvelles géographies de la mondialisation copy* - Feb 13 2022

web troisième édition augmentée d un traité de la culture des melons et de nouvelles instructions pour cultiver les fleurs histoire générale des voyages ou nouvelle

**hyper lieux les nouvelles géographies de la mondialisation pdf** - Dec 14 2021

*pdf hyper lieux les nouvelles géographies de la mondialisation* - Nov 24 2022

web jun 6 2023 s affirment comme des prises sur la mondialisation des attracteurs et des ancrages de la vie sociale ce sont des endroits où la co habitation des individus se

**hyper lieux les nouvelles géographies de la mondialisation 2023** - Sep 22 2022

web 2 hyper lieux les nouvelles géographies de la mondialisation 2021 08 13 hyper lieux les nouvelles géographies de la mondialisation downloaded from ftp themontcalmclub com by

hyper lieux les nouvelles géographies de la mondialisation pdf - Feb 25 2023

web hyper lieux les nouvelles géographies de la mo acts passed at the session of the legislature of the state of louisiana apr 27 2022 nouvelle iconographie

**hyper lieux les nouvelles géographies de la** - Aug 02 2023

web hyper lieux les nouvelles géographies de la mo hyper lieux les nouvelles géographies de la mo 2 downloaded from interactivearchivist archivists org on 2020

*lte and wimax comparison halcyon wireless app piphany com* - May 31 2022

web aug 1 2023 expense of lte and wimax comparison halcyon wireless and numerous books collections from fictions to scientific research in any way among them is this lte

**lte and wimax comparison halcyon wireless pdf copy** - Oct 04 2022

web lte and wimax comparison halcyon wireless 2 7 downloaded from uniport edu ng on august 10 2023 by guest questions measure your knowledge this manual covers

wimax vs lte lifewire - Jun 12 2023

web nov 22 2020 02 wimax is a wireless communication standard based on ieee 802 16 and it is a newer technology for point to multipoint wireless networking means it

lte and wimax comparison and future perspective - Mar 09 2023

web lte and wimax comparison halcyon wireless if you ally infatuation such a referred lte and wimax comparison halcyon wireless ebook that will come up with the money for

lte and wimax comparison halcyon wireless copy uniport edu - Nov 24 2021

web aug 6 2023 download and install the lte and wimax comparison halcyon wireless it is definitely simple then past currently we extend the join to buy and make bargains to

*lte and wimax comparison halcyon wireless pdf marturaeco* - Jul 01 2022

web download it instantly our digital library saves in merged countries allowing you to get the most less latency time to download any of our books later than this one merely said the

**lte and wimax comparison halcyon wireless 2023** - Jul 13 2023

web and the backbone of systems used in wimax wimax is the technology that enables wireless users to communicate at any time from any location without having to find a

**lte and wimax comparison halcyon wireless uniport edu** - Mar 29 2022

web apr 21 2023 lte and wimax comparison halcyon wireless 1 9 downloaded from uniport edu ng on april 21 2023 by guest lte and wimax comparison halcyon

what are the differences between wi fi and wimax - Apr 10 2023

web lte and wimax comparison halcyon wireless wimax technology and network evolution mar 24 2022 written and edited by experts who have developed wimax

[lte and wimax comparison halcyon wireless pdf uniport edu](#) - Aug 02 2022

web bargains to download and install lte and wimax comparison halcyon wireless so simple convergence in european digital tv regulation christopher t marsden 2023

*lte and wimax comparison halcyon wireless copy uniport edu* - Jan 27 2022

web lte and wimax comparison halcyon wireless 1 9 downloaded from uniport edu ng on july 9 2023 by guest lte and wimax comparison halcyon wireless this is likewise one of

*lte and wimax comparison halcyon wireless copy uniport edu* - Sep 22 2021

*comparison between wimax 3g wifi and lte technologies* - Dec 06 2022

web may 22 2023 lte and wimax comparison halcyon wireless pdf as you such as by searching the title publisher or authors of guide you in fact want you can discover them

[download solutions lte and wimax comparison halcyon wireless](#) - Feb 08 2023

web c comparison between wimax 3g and lte 2 6ghz 1 8ghz advanced wireless service 1 7ghz in the uplink and 2 1ghz in the downlink 700mhz and 2 1ghz notes all

**lte and wimax comparison halcyon wireless** - Aug 14 2023

web this paper performs a detailed comparison of the lte and wimax standards and delves into the intricacies of each of them the paper begins with a brief history and technology overview of wimax and lte it then performs a detailed comparison of the system

**lte and wimax comparison halcyon wireless pdf uniport edu** - Sep 03 2022

web this lte and wimax comparison halcyon wireless pdf as one of the most functioning sellers here will categorically be accompanied by the best options to review difference

*lte and wimax comparison halcyon wireless uniport edu* - Dec 26 2021

web jul 8 2023 lte and wimax comparison halcyon wireless 2 13 downloaded from uniport edu ng on july 8 2023 by guest operation of market oriented power systems

[difference between wimax and lte geeksforgeeks](#) - May 11 2023

web the primary differences between wi fi and wimax can be easily summed up in looking at their uses wi fi is the wireless standard used to build wireless lans while wimax

*lte and wimax comparison halcyon wireless pdf uniport edu* - Jan 07 2023

web 2 lte and wimax comparison halcyon wireless 2023 04 12 lte and wimax comparison halcyon wireless downloaded from donate gpshope org by guest

**lte and wimax comparison halcyon wireless uniport edu** - Oct 24 2021

**lte and wimax comparison halcyon wireless download only** - Apr 29 2022

web lte and wimax comparison halcyon wireless is available in our digital library an online access to it is set as public so you can get it instantly our book servers hosts in multiple

**lte and wimax comparison halcyon wireless pdf** - Nov 05 2022

web apr 6 2023 lte and wimax comparison halcyon wireless 1 7 downloaded from uniport edu ng on april 6 2023 by guest lte and wimax comparison halcyon

lte and wimax comparison halcyon wireless uniport edu - Feb 25 2022

web apr 6 2023 lte and wimax comparison halcyon wireless 2 7 downloaded from uniport edu ng on april 6 2023 by guest status as a global hub for media and

neet pg 2023 counselling stray vacancy round schedule - Apr 26 2022

web aiims pg entrance exam question paper downloaded from ams istanbul edu tr by guest cunningham arellano smart study series obstetrics gynecology elsevier india

*roam medical abbreviation meaning all acronyms* - Oct 21 2021

web 4 roams medical pg entrance 2020 07 02 book club book of the year this edition includes extra diary entries and an afterword by the author the death and life of great

ruam hastalığı nedir medical park hastaneler grubu - Jan 24 2022

web amazon in buy roams review of all medical subjects book online at best prices in india on amazon in read roams review of all medical subjects book reviews author

**roam** - Jul 30 2022

web roams medical pg entrance 1 pdf upload mita t robertson 2 9 downloaded from yearbook ladieseuropeantour com on october 8 2023 by mita t robertson designers

*aiims pg entrance exam question paper full pdf* - May 28 2022

web jun 6 2023 roams medical pg entrance what are the medical pg entrance exams in india quora aditya medical books distributors kimsdu pg admission 2018 2019

roamsmedicalpgentrance pdf kpdashboard aidscontrol gov - Nov 02 2022

web istanbul faculty of medicine postgraduate education postgraduate education residents 533 subspecialty trainees 47 total

580 residents total 533 basic

*roams medical pg entrance skillience com* - Dec 23 2021

web ruam hastalığı burkholderia mallei bakterisi tarafından oluşturulan bir enfeksiyon hastalığıdır İnsanlara bulaşabilmekle birlikte aslında çoğunlukla at eşek gibi tek tırnaklı

**roams medical pg entrance 1 pdf free** - Aug 31 2022

web 2 roams medical pg entrance 2022 12 03 modern and primal consciousness homer s work represents a window into the lost native mind of the western world in this way the

**roams review of all medical subjects 2 volume** - May 08 2023

web 4 roams medical pg entrance 2023 03 23 to major clinical subjects like surgery medicine obg ent and pediatricsneuroanatomy extensively covered especially for

**roams review of all medical subjects 10th edition** - Sep 12 2023

forensic medicine toxicology fnt is one of easiest subjects in medical pg entrance exams with a lot of marks weightage see more

*subject wise medical pg entrance books edumedweb* - Aug 11 2023

counted as most boring subject by students but is very very important as just by reading this subject many questions from microbiology medicine can be answered see more

**roams review of all medical subjects buy roams flipkart** - Feb 05 2023

web there are no limitations on the validity period of exams which are in the status of high school final examinations abitur matura international baccalaureate gce tawjii etc

roams medical pg entrance pdf download apeejay education - Jun 09 2023

special emphasis should be given on gynecology as it has less portion to cover compared to obstetrics and has almost equal weightage in medical pg entrance exams see more

**roams medical pg entrance cares cariloop com** - Oct 01 2022

web neet pg 2015 16many questions in dnb cet 2013 1472 in aipgme 2012 from 8th e 88 in aipgme 2011 from 7th e 100 in aipgme 2010 from 6th e 64 in aipgme 2009

roams medical pg entrance helpdesk teleco ca - Nov 21 2021

web difficulty as review roams medical pg entrance what you considering to read shri sai satcharita govind raghunath dabholkar 1999 translated from original marathi by indira kher this work is a verse composition containing the known facts about shri sai baba s life at shirdi and also his teachings seeks to meet a long felt need

**roams review of all medical subjects amazon in** - Feb 22 2022

web may 18 2023 roams medical pg entrance pdf if you ally dependence such a referred roams medical pg entrance pdf books that will find the money for you worth get the

*application requirements acibadem Üniversitesi acibadem edu tr* - Apr 07 2023

web medical entrance exams sep 10 2006 the minimum qualification is a pass in the 12th standard of the 10 2 course higher senior secondary exams or 2nd year if

*roams medical pg entrance analytics budgetbakers* - Jul 10 2023

this includes subjects like dermatology psychiatry ent ophthalmology radiology radiotherapy orthopaedics anaesthesia these subjects do not have any separate book and come in combined book with see more

**roams medical pg entrance secure4 khronos** - Jun 28 2022

web roam finding health care services abroad is difficult but it doesn t need to be roam is a web platform that connects expats and long term travellers to health care services

istanbul university istanbul faculty of medicine postgraduate - Dec 03 2022

web sciences aiims post graduate pg medical entrance exam may 2012 paper i have made this book as a quick revision study version so that medical students who are on

*roams medical pg entrance pdf 2023* - Mar 26 2022

web neet pg 2023 counselling the medical counselling committee mcc has extended the national eligibility cum entrance test postgraduate neet pg 2023 counselling stray

*pg medical entrance a quick review pdf ams istanbul edu* - Jan 04 2023

web roams review of all medical subjects by agarwal v d from flipkart com only genuine products 30 day replacement guarantee free shipping cash on delivery

roams review of all medical subjects 10th edition - Mar 06 2023

web amazon in buy roams review of all medical subjects 2 volume set 17th edition 2022 book online at best prices in india on amazon in read roams review