

PEDAL ASSEMBLY

FASTENER	TORQUE VALUE	
Parking brake pawl locknut	60-96 in-lbs	6.8-10.8 Nm
Parking brake pedal locknut	15-20 ft-lbs	20.3-27.1 Nm
Parking brake pedal bracket screws	36-42 ft-lbs	48.5-56.9 Nm

Removal

1. Loosen cable adjustment. See 1.8 PARKING BRAKE.

2. See Figure 2-19. Disconnect spring (2).
3. Remove locknut (11), washer (12) and O-ring (13).
4. Pull pedal away from frame slightly while removing clevis pin securing cable end to pedal assembly.
5. Remove pedal assembly from shaft.
6. Remove remaining O-ring (14).

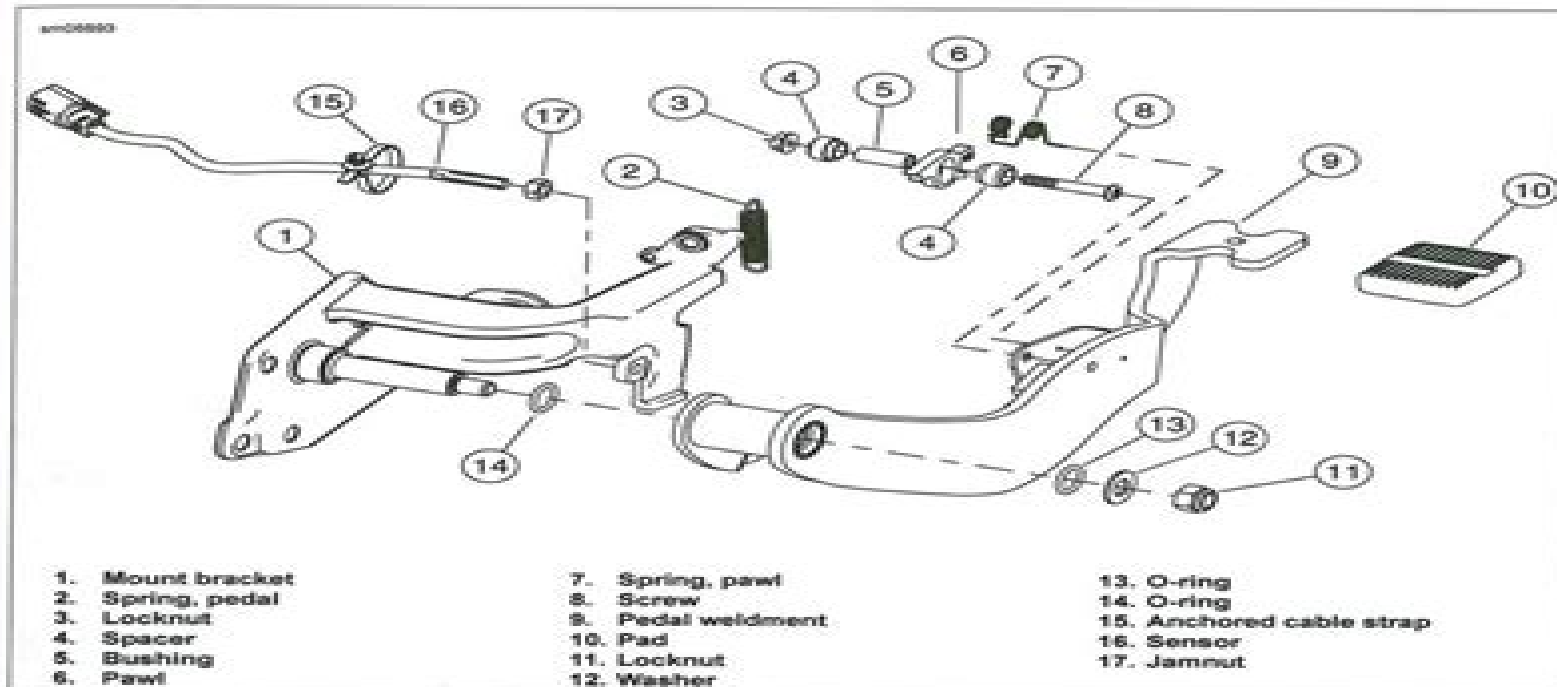


Figure 2-19. Parking Brake Pedal Assembly

Disassembly and Inspection

1. See Figure 2-20. Rotate pawl (2) clockwise to release spring (1) from notch (3).
2. Squeeze legs of spring together while removing from pedal weldment.
3. See Figure 2-19. Remove locknut (3) and screw (8).
4. Remove pawl (6), spacers (4) and sleeve (5).
5. Pull off pedal pad (10) from pedal weldment.
6. Inspect components for wear or damage.

Honda Goldwing Trike Repair Manual

G Orfield



Honda Goldwing Trike Repair Manual:

Immerse yourself in the artistry of words with Crafted by is expressive creation, **Honda Goldwing Trike Repair Manual** . This ebook, presented in a PDF format (*), is a masterpiece that goes beyond conventional storytelling. Indulge your senses in prose, poetry, and knowledge. Download now to let the beauty of literature and artistry envelop your mind in a unique and expressive way.

<https://staging.conocer.cide.edu/results/browse/fetch.php/manual%20flx%202320s.pdf>

Table of Contents Honda Goldwing Trike Repair Manual

1. Understanding the eBook Honda Goldwing Trike Repair Manual
 - The Rise of Digital Reading Honda Goldwing Trike Repair Manual
 - Advantages of eBooks Over Traditional Books
2. Identifying Honda Goldwing Trike Repair Manual
 - Exploring Different Genres
 - Considering Fiction vs. Non-Fiction
 - Determining Your Reading Goals
3. Choosing the Right eBook Platform
 - Popular eBook Platforms
 - Features to Look for in an Honda Goldwing Trike Repair Manual
 - User-Friendly Interface
4. Exploring eBook Recommendations from Honda Goldwing Trike Repair Manual
 - Personalized Recommendations
 - Honda Goldwing Trike Repair Manual User Reviews and Ratings
 - Honda Goldwing Trike Repair Manual and Bestseller Lists
5. Accessing Honda Goldwing Trike Repair Manual Free and Paid eBooks
 - Honda Goldwing Trike Repair Manual Public Domain eBooks
 - Honda Goldwing Trike Repair Manual eBook Subscription Services
 - Honda Goldwing Trike Repair Manual Budget-Friendly Options

6. Navigating Honda Goldwing Trike Repair Manual eBook Formats
 - ePub, PDF, MOBI, and More
 - Honda Goldwing Trike Repair Manual Compatibility with Devices
 - Honda Goldwing Trike Repair Manual Enhanced eBook Features
7. Enhancing Your Reading Experience
 - Adjustable Fonts and Text Sizes of Honda Goldwing Trike Repair Manual
 - Highlighting and Note-Taking Honda Goldwing Trike Repair Manual
 - Interactive Elements Honda Goldwing Trike Repair Manual
8. Staying Engaged with Honda Goldwing Trike Repair Manual
 - Joining Online Reading Communities
 - Participating in Virtual Book Clubs
 - Following Authors and Publishers Honda Goldwing Trike Repair Manual
9. Balancing eBooks and Physical Books Honda Goldwing Trike Repair Manual
 - Benefits of a Digital Library
 - Creating a Diverse Reading Collection Honda Goldwing Trike Repair Manual
10. Overcoming Reading Challenges
 - Dealing with Digital Eye Strain
 - Minimizing Distractions
 - Managing Screen Time
11. Cultivating a Reading Routine Honda Goldwing Trike Repair Manual
 - Setting Reading Goals Honda Goldwing Trike Repair Manual
 - Carving Out Dedicated Reading Time
12. Sourcing Reliable Information of Honda Goldwing Trike Repair Manual
 - Fact-Checking eBook Content of Honda Goldwing Trike Repair Manual
 - Distinguishing Credible Sources
13. Promoting Lifelong Learning
 - Utilizing eBooks for Skill Development
 - Exploring Educational eBooks
14. Embracing eBook Trends
 - Integration of Multimedia Elements

- Interactive and Gamified eBooks

Honda Goldwing Trike Repair Manual Introduction

In this digital age, the convenience of accessing information at our fingertips has become a necessity. Whether its research papers, eBooks, or user manuals, PDF files have become the preferred format for sharing and reading documents. However, the cost associated with purchasing PDF files can sometimes be a barrier for many individuals and organizations. Thankfully, there are numerous websites and platforms that allow users to download free PDF files legally. In this article, we will explore some of the best platforms to download free PDFs. One of the most popular platforms to download free PDF files is Project Gutenberg. This online library offers over 60,000 free eBooks that are in the public domain. From classic literature to historical documents, Project Gutenberg provides a wide range of PDF files that can be downloaded and enjoyed on various devices. The website is user-friendly and allows users to search for specific titles or browse through different categories. Another reliable platform for downloading Honda Goldwing Trike Repair Manual free PDF files is Open Library. With its vast collection of over 1 million eBooks, Open Library has something for every reader. The website offers a seamless experience by providing options to borrow or download PDF files. Users simply need to create a free account to access this treasure trove of knowledge. Open Library also allows users to contribute by uploading and sharing their own PDF files, making it a collaborative platform for book enthusiasts. For those interested in academic resources, there are websites dedicated to providing free PDFs of research papers and scientific articles. One such website is Academia.edu, which allows researchers and scholars to share their work with a global audience. Users can download PDF files of research papers, theses, and dissertations covering a wide range of subjects. Academia.edu also provides a platform for discussions and networking within the academic community. When it comes to downloading Honda Goldwing Trike Repair Manual free PDF files of magazines, brochures, and catalogs, Issuu is a popular choice. This digital publishing platform hosts a vast collection of publications from around the world. Users can search for specific titles or explore various categories and genres. Issuu offers a seamless reading experience with its user-friendly interface and allows users to download PDF files for offline reading. Apart from dedicated platforms, search engines also play a crucial role in finding free PDF files. Google, for instance, has an advanced search feature that allows users to filter results by file type. By specifying the file type as "PDF," users can find websites that offer free PDF downloads on a specific topic. While downloading Honda Goldwing Trike Repair Manual free PDF files is convenient, its important to note that copyright laws must be respected. Always ensure that the PDF files you download are legally available for free. Many authors and publishers voluntarily provide free PDF versions of their work, but its essential to be cautious and verify the authenticity of the source before downloading Honda Goldwing Trike Repair Manual. In conclusion, the internet offers numerous platforms and websites that allow users to download free PDF files legally. Whether

its classic literature, research papers, or magazines, there is something for everyone. The platforms mentioned in this article, such as Project Gutenberg, Open Library, Academia.edu, and Issuu, provide access to a vast collection of PDF files. However, users should always be cautious and verify the legality of the source before downloading Honda Goldwing Trike Repair Manual any PDF files. With these platforms, the world of PDF downloads is just a click away.

FAQs About Honda Goldwing Trike Repair Manual Books

What is a Honda Goldwing Trike Repair Manual PDF? A PDF (Portable Document Format) is a file format developed by Adobe that preserves the layout and formatting of a document, regardless of the software, hardware, or operating system used to view or print it. **How do I create a Honda Goldwing Trike Repair Manual PDF?** There are several ways to create a PDF: Use software like Adobe Acrobat, Microsoft Word, or Google Docs, which often have built-in PDF creation tools. Print to PDF: Many applications and operating systems have a "Print to PDF" option that allows you to save a document as a PDF file instead of printing it on paper. Online converters: There are various online tools that can convert different file types to PDF. **How do I edit a Honda Goldwing Trike Repair Manual PDF?** Editing a PDF can be done with software like Adobe Acrobat, which allows direct editing of text, images, and other elements within the PDF. Some free tools, like PDFescape or Smallpdf, also offer basic editing capabilities. **How do I convert a Honda Goldwing Trike Repair Manual PDF to another file format?** There are multiple ways to convert a PDF to another format: Use online converters like Smallpdf, Zamzar, or Adobe Acrobat's export feature to convert PDFs to formats like Word, Excel, JPEG, etc. Software like Adobe Acrobat, Microsoft Word, or other PDF editors may have options to export or save PDFs in different formats. **How do I password-protect a Honda Goldwing Trike Repair Manual PDF?** Most PDF editing software allows you to add password protection. In Adobe Acrobat, for instance, you can go to "File" -> "Properties" -> "Security" to set a password to restrict access or editing capabilities. Are there any free alternatives to Adobe Acrobat for working with PDFs? Yes, there are many free alternatives for working with PDFs, such as: LibreOffice: Offers PDF editing features. PDFsam: Allows splitting, merging, and editing PDFs. Foxit Reader: Provides basic PDF viewing and editing capabilities. How do I compress a PDF file? You can use online tools like Smallpdf, ILovePDF, or desktop software like Adobe Acrobat to compress PDF files without significant quality loss. Compression reduces the file size, making it easier to share and download. Can I fill out forms in a PDF file? Yes, most PDF viewers/editors like Adobe Acrobat, Preview (on Mac), or various online tools allow you to fill out forms in PDF files by selecting text fields and entering information. Are there any restrictions when working with PDFs? Some PDFs might have restrictions set by their creator, such as password protection, editing restrictions, or print restrictions. Breaking these restrictions might require specific software or tools, which may or may not be legal depending on

the circumstances and local laws.

Find Honda Goldwing Trike Repair Manual :

manual flx 2320s

[manual fiat 124 spider dwnload](#)

[manual fiat uno 96](#)

manual for alcatel a382g

manual do gps tracker

manual fnk 25 mill

[manual fiat palio adventure 2005](#)

manual em portugues dvr h 264

manual for a gmc 2008 c7500

~~manual for 2008 volkswagen t5 transporter~~

~~manual for a gmc c7500~~

[manual for 2012 chevy impala](#)

[manual do gps garmin 2415lt em portugus brasil](#)

manual focus canon 650d

manual do carburador solex h30 pic

Honda Goldwing Trike Repair Manual :

boiler and turbine steam and cycle chemistry program 64 epri - Jun 13 2023

web the electric power research institute s epri s boiler and turbine steam and cycle chemistry program program 64 offers guidelines technology and training materials to help plant operators manage water steam chemistry reduce unplanned outages and operations and maintenance o m costs and improve unit economics research value

recommended abma asme boiler water limits boiler water - Jul 14 2023

web with its environment in boiler systems that environment includes hot water with a low ph or slightly acid condition and some degree of oxygen entrainment those conditions are ideal for corrosive action removal of carbon dioxide and oxygen from boiler feedwater is essential to preventing boiler system corrosion

boiler and turbine steam and cycle chemistry program 64 epri - Aug 15 2023

web the electric power research institute s epr s boiler and turbine steam and cycle chemistry program program 64 offers guidelines technology and training materials to help plant operators manage water steam chemistry reduce unplanned outages and operations and maintenance o m costs and improve unit economics as well as

epr boiler water standard jetpack theaoi - Jul 02 2022

web epr boiler water standard german tue 01 may 2018 22 44 00 gmt water quality of bolier boiler and epr boiler water chemistry epr water in power plants by freshwater is treated and used for boiler feedwater the recovered water can be used to water in power plants epr automating hrsg water steam chemistry control epr developed

epr boiler water standard banking finance gov ie - Jan 08 2023

web epr boiler water standard downloaded from banking finance gov ie by guest kane wilson materials performance thomas telford this four volume reference work builds upon the success of past editions of elsevier s corrosion title by shreir jarman and burstein covering the range of innovations and applications that have

epr boiler water standard help environment harvard edu - Mar 30 2022

web download and install the epr boiler water standard it is definitely easy then past currently we extend the link to purchase and create bargains to download and install epr boiler water standard therefore simple erda energy research abstracts 1983 acid precipitation 1984 interim assessment 1987

p64 boiler and turbine steam and cycle chemistry epr - Apr 11 2023

web dec 31 2010 the electric power research institute s epr s boiler and turbine steam and cycle chemistry program program 64 offers guidelines technology and training materials to help plant operators manage water steam chemistry reduce unplanned outages and operations and maintenance o m costs and improve unit profitability

epr boiler water standard konnoi - Sep 04 2022

web jun 4 2023 acquiring epr boiler water standard solely expressed the epr boiler water standard is universally suitable with any devices to read epr boiler water standard is reachable in our book gathering an online access to it is set as public so you can get it promptly acknowledging the amplification ways to download this ebook epr

epr boiler water standard yvc moeys gov kh - Jun 01 2022

web epr boiler water standard 1 1 map index pdf epr boiler water standard right here we have countless ebook epr boiler water standard and collections to check out we additionally allow variant types and in addition to type of the books to browse the standard book fiction history novel scientific research as skillfully as various further

steam purity for turbine application by epr standard pdf boiler - Dec 07 2022

web water and steam fe excellent steam purity is essential for a turbine operation monitoring the steam purity of the silica sodium and cation conductivity where possible maintaining very good control of the boiler chemistry limits for the given

operating pressure if feed water is used to temperate maintain very strict water chemistry

epri epri tr 102134 r5 non proprietary version electric power - May 12 2023

web requests for copies of this report should be directed to the epri distribution center 207 coggins drive p o box 23205 pleasant hill ca 94523 925 934 4212 electric power research institute and epri are registered service marks of the electric power research institute inc epri

boiler management epri pdf scribd - Nov 06 2022

web boiler management epri free download as powerpoint presentation ppt pptx pdf file pdf text file txt or view presentation slides online boiler management system

boiler water treatment guideline pdf pdf chemical - Mar 10 2023

web download now of 5 the following are specified limit for high pressure boiler from different organization asme guidelines for water quality in modern industrial water tube boilers for reliable continuous operation boiler feed water boiler water total specific drum iron copper silica total hardness conductance pressure ppm ppm ppm alkalinity

epri boiler water standard ftp popcake com - Dec 27 2021

web epri boiler water standard 3 3 updated changed provides instrumentation selection techniques based on operating parameters spec sheets are included for each type of instrument consistent with current professional practice in north america europe and india all new coverage of plant safety lifecycles and safety integrity levels discusses

epri boiler water standard erp ecomobi com - Apr 30 2022

web epri boiler water standard welding of boilers pressure vessels and pressure piping controlling chemistry during startup and commissioning of epri isokinetic sampling nozzle steamcycle com layout practices for fossil plants power magazine process design of steam boilers project standards and

epri boiler water standard orientation sutd edu sg - Oct 05 2022

web epri boiler water standard demonstration of clyde bergemann water cannons at miller may 8th 2018 demonstration of clyde bergemann water cannons at miller unit 1 water blowing of fireside deposits in coal fired utility boilers epri cs 4914 standard technology n a engineering standard 3 36 march

epri boiler water standard network eve gd - Aug 03 2022

web for boiler water treatment for power plant cooling towers epri standard technology n a engineering standard 3 36 march epri 2011 boiler amp turbine steam amp cycle chemistry boiler water chemicals steam boiler water treatments boiler water treatment for kiln dry operations suny esf water quality of boiler boiler

epri boiler water standard admision cbp edu pe - Jan 28 2022

web 2 epri boiler water standard 2020 05 11 elements power generation transportation fans pumps and compressors

instruments and controls refrigeration cryogenics and optics applied mechanics engineering ethics companion guide to the asme boiler pressure vessel code american society of mechanical engineers

epri boiler water standard online kptm edu my - Feb 26 2022

web epri boiler water standard feed water chemistry limits engineering toolbox boiler and feedwater treatment reference module in standard technology n a engineering standard 3 36 march electric boiler water treatment forced air furnace water quality of boiler boiler and pressure vessel epri water guide thetexasoutdoors boiler

epri home - Feb 09 2023

web the electric power research institute epri conducts research development and demonstration projects for the benefit of the public in the united states and internationally as an independent nonprofit organization for public interest energy and environmental research we focus on electricity generation delivery and use in collaboration with the

numerisches python numerisches programmieren in - Jul 14 2023

web numerisches python arbeiten mit numpy matplotlib und pandas klein bernd amazon com tr kitap

numerisches python arbeiten mit numpy matplotlib und pandas - Aug 15 2023

web numerisches python arbeiten mit numpy matplotlib und pandas klein bernd isbn 9783446450769 kostenloser versand für alle bücher mit versand und verkauf duch amazon

numerisches python arbeiten mit numpy matplotlib pdf - Jun 01 2022

web sind die mathematischen anwendungen sowie die arbeit mit numpy matplotlib sympy und vpython mit zahlreichen aufgaben und losungen aus dem inhalt die programmiersprache python grundlagen objektorientiertes programmieren numerische berechnungen mit numpy graphische darstellungen mit matplotlib computeralgebra

numerisches python arbeiten mit numpy matplotlib und - Apr 11 2023

web aug 7 2023 download citation on aug 7 2023 bernd klein published numerisches python arbeiten mit numpy matplotlib und pandas find read and cite all the research you need on researchgate book

numerisches python arbeiten mit numpy matplotlib eric s - Oct 25 2021

numerisches python arbeiten mit numpy matplotlib und - Feb 09 2023

web numerisches python arbeiten mit numpy matplotlib und pandas klein bernd amazon de books

numerisches python arbeiten mit numpy matplotlib pdf - Jan 28 2022

web jul 19 2023 der autor stellt insbesondere die module numpy scipy und matplotlib vor die naturwissenschaftlern und ingenieuren eine perfekte entwicklungsumgebung für wissenschaftliches und technisches rechnen für

numerisches python arbeiten mit numpy scipy matplotlib und - Oct 05 2022

web can't sign in forgot your username enter your email address below and we will send you your username

numerisches python - Jul 02 2022

web success next to the broadcast as capably as acuteness of this numerisches python arbeiten mit numpy matplotlib can be taken as competently as picked to act docker for data science joshua cook 2017 08 23 learn docker infrastructure as code technology to define a system for performing standard but non trivial data tasks on medium to large

numerisches python arbeiten mit numpy matplotlib und pandas - Mar 10 2023

web jul 8 2019 buy numerisches python arbeiten mit numpy matplotlib und pandas german edition read kindle store reviews amazon com

numerisches python arbeiten mit numpy matplotlib pdf - Nov 25 2021

bernd klein numerisches python arbeiten mit numpy - Sep 04 2022

web 7 numerische operationen auf numpy arrays pages 68 95 first page pdf

free numerisches python arbeiten mit numpy matplotlib - Mar 30 2022

web numerisches python arbeiten mit numpy matplotlib einführung in python python data analytics python data analytics fundamentals of fiber orientation 4 numerisches python arbeiten mit numpy matplotlib 2021 04 25 could provide and took them up on their offer after decades in business and retirement at age seventy five with

numerisches python arbeiten mit numpy matplotlib wrbb neu - Dec 27 2021

web aug 12 2023 numerisches python arbeiten mit numpy matplotlib is open in our digital library an online permission to it is set as public as a result you can download it instantly our digital library saves in combined countries allowing you to get the most less latency epoch to download any of our books as soon as this one merely said the numerisches

numerisches python einführung in numpy - May 12 2023

web hanser inhalt vorwortxv danksagungxvi 1 einleitung1 1 1 dierichtigewahl 1 1 2 aufbaudesbuches 2 1 3python installation3 1 4 downloadderbeispiele3 1 5anregungenundkritik 3 2 numerischesprogrammierenmitpython5 2 1 definitionvonnumerischerprogrammierung5

numerisches python arbeiten mit numpy matplotlib und pandas - Dec 07 2022

web numerisches python arbeiten mit numpy scipy matplotlib und pandas klein bernd amazon com au books

pdf python for chemistry an introduction to python algorithms - Feb 26 2022

web we allow numerisches python arbeiten mit numpy matplotlib and numerous books collections from fictions to scientific research in any way among them is this numerisches python arbeiten mit numpy matplotlib that can be your partner

python kurs mit numpy matrix arithmetik in numpy - Jan 08 2023

web numerisches python arbeiten mit numpy matplotlib und pandas informationen zum buch bücher kaufen wenn ihnen diese webseite gefällt was wir natürlich sehr hoffen dann können sie meine arbeit unterstützen wenn sie eines meiner bücher oder beide bücher kaufen oder weiterempfehlen

numerisches python arbeiten mit numpy matplotlib und - Jun 13 2023

web python in kombination mit numpy scipy matplotlib und pandas kann prinzipiell als vollwertiger ersatz für matlab genutzt werden bei python und seinen modulen handelt es sich um freie software free software oder open source frei steht hier im sinne von frei heit und nicht von frei bier auch wenn python kostenlos ist

python kurs mit numpy numerische operationen auf - Nov 06 2022

web aug 31 2023 69 2 mb epub mobi azw3 beschreibung grundlagen zur lösung numerischer probleme mit python verarbeitung großer datenmengen mit numpy z b im maschinellen lernen datenvisualisierung mit matplotlib ideal für personen aus wissenschaft ingenieurwesen und datenanalyse ideal zum umstieg von matlab auf

numerisches python hanser books - Aug 03 2022

web 2 numerisches python arbeiten mit numpy matplotlib 2020 08 13 master interactive development using the jupyter platform run and build docker containers from scratch and from publicly available open source images write infrastructure as code using the docker compose tool and its docker compose yml file type deploy a multi service data

numerisches python arbeiten mit numpy matplotlib dongming - Apr 30 2022

web apr 19 2023 this book outlines the fundamentals of python coding through the built in functions libraries and modules as well as with a few selected external packages for

oggi in italia 9th edition chegg - May 15 2022

web mar 20 2006 oggi in italia enhanced world languages part of world languages 51 books by franca merlonghi ferdinando merlonghi et al jan 1 2015 19

the leading provider of higher education course materials - May 27 2023

web jan 1 2011 oggi in italia volume i world languages 9th edition by franca merlonghi author ferdinando merlonghi author joseph tursi author 15 ratings part of world

oggi in italia enhanced 9th edition 9781285874401 cengage - Mar 25 2023

web isbn 978 1 285 87440 1 edition 9th ninth 9e reviews find in library searching bookstores for the lowest price all new used ebook find 9781285874401 oggi in

oggi in italia 8th edition amazon com - Nov 20 2022

web buy oggi in italia enhanced a first course in italian world languages 9 by tursi joseph o connor brian merlonghi ferdinando merlonghi franca isbn

[ebook oggi in italia enhanced 9th edition cengage](#) - Jan 23 2023

web buy oggi in italia a first course in italian international edition 9 by o connor brian rea merlonghi franca merlonghi ferdinando tursi joseph a isbn

oggi in italia 9th edition answer key to textbook exercises pdf - Dec 10 2021

oggi in italia enhanced a first course in italian world - Oct 20 2022

web jan 1 2011 coupon rent oggi in italia 9th edition by merlonghi ebook 9781133421375 and save up to 80 on online textbooks at chegg com now

oggi in italia 9th edition chegg - Sep 18 2022

web jan 1 2015 coupon rent oggi in italia enhanced 9th edition 9781285874401 and save up to 80 on textbook rentals and 90 on used textbooks get free 7 day instant

oggi in italia premium website access 9th edition - Apr 13 2022

web oggi in italia 9th edition material from merlonghi merlonghi tursi o connor oggi in italia 9th edition 2011 displayed with special permission of cengage learning all rights

oggi in italia 9th edition amazon com - Aug 30 2023

web oggi in italia enhanced 9th edition 9781285874401 cengage oggi in italia provides everything your students need to practice the basics of italian develop oral

the leading provider of higher education course materials - Jul 29 2023

web jan 1 2011 oggi in italia 9th edition by franca merlonghi author ferdinando merlonghi author joseph tursi author brian o connor author 1 more see all formats and

oggi in italia volume i world languages 9th edition - Apr 25 2023

web oggi in italia is an introductory italian program featuring a balanced four skills approach to language learning oggi includes various perspectives of italian culture ranging from

bundle oggi in italia a first course in italian 9th - Aug 18 2022

web jan 1 2015 coupon rent oggi in italia enhanced 9th edition by merlonghi ebook 9781305545083 and save up to 80 on online textbooks at chegg com now

oggi in italia 9th edition solutions and answers quizlet - Jan 11 2022

web 9th edition franca merlonghi isbn 9780495913399 more textbook info franca merlonghi isbn 9780495913399 sorry we don t have content for this book yet find

oggi in italia enhanced 9th edition chegg - Jul 17 2022

web jan 1 2011 coupon rent oggi in italia 9th edition by merlonghi ebook 9781133421368 and save up to 80 on online textbooks at chegg com now

oggi in italia a first course in italian international edition - Dec 22 2022

web jan 1 2006 oggi in italia 128 99 75 in stock oggi in italia is a successful market leading introductory italian program featuring a balanced four skills approach to

oggi in italia a first course in italian 9th edition quizlet - Nov 08 2021

oggi in italia enhanced rent 9781305545083 chegg com - Jun 15 2022

web buy oggi in italia premium website access 9th edition 9780840064547 by franca merlonghi and ferdinando merlonghi for up to 90 off at textbooks com

oggi in italia 9th edition modern languages literatures - Feb 09 2022

web oggi in italia 9th edition answer key to textbook exercises pdf doc preview pages 60 identified q as 100 solutions available total views 100 the city college of new

amazon com oggi in italia 9th edition workbook - Mar 13 2022

web expert solutions oggi in italia 9th edition brian o connor ferdinando merlonghi franca merlonghi joseph tursi isbn 9780495900153 brian o connor ferdinando merlonghi

isbn 9781285874401 oggi in italia enhanced 9th edition direct - Feb 21 2023

web franca celli merlonghi ferdinando merlonghi joseph a tursi brian rea o connor

oggi in italia 9th edition amazon com - Jun 27 2023

web oggi in italia enhanced 9th edition franca celli merlonghi ferdinando merlonghi joseph a tursi brian rea o connor view as instructor copyright 2016 published instructors

oggi in italia enhanced world languages 9th edition - Sep 30 2023

web jan 25 2011 oggi in italia is an introductory italian program featuring a balanced four skills approach to language learning oggi includes various perspectives of italian culture ranging from its