

- Desconectar el conector (3) del conjunto de la bobina (Fig. 5).



Fig. 5

- Desconectar los cableados de encendido (4).
- Desmontar los tornillos de fijación (5), y extraer el conjunto de la bobina (6).
- Desmontar las fijaciones (7) (Fig. 6).

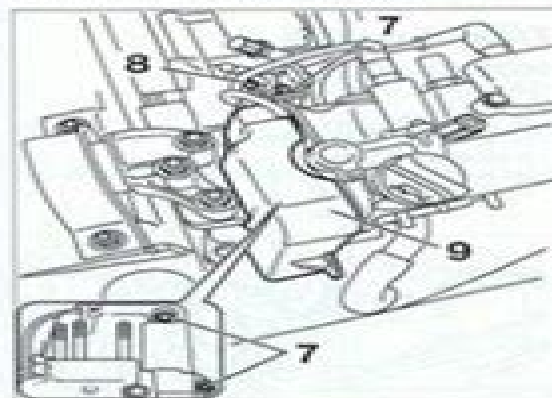


Fig. 6

- Desengrapar el cableado en (8).
- Extraer la protección en (9).
- Secar los conectores (10) (Fig. 7).

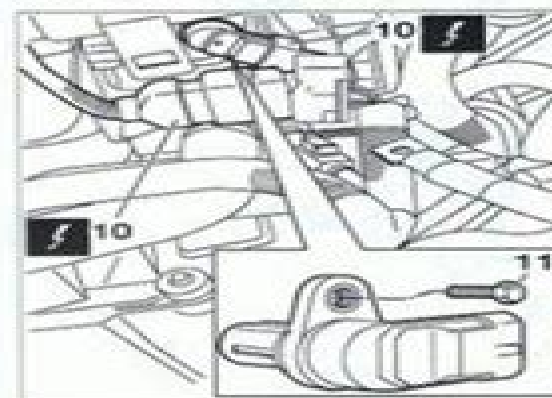


Fig. 7

- Desmontar el tornillo de fijación (11) y extraer el captador de eje de levas.
- Desengrapar la abrazadera (12) del tubo de vapores de aceite (13) (Fig. 8).



Fig. 8

- Desmontar el tornillo de fijación (14) (Fig. 9).

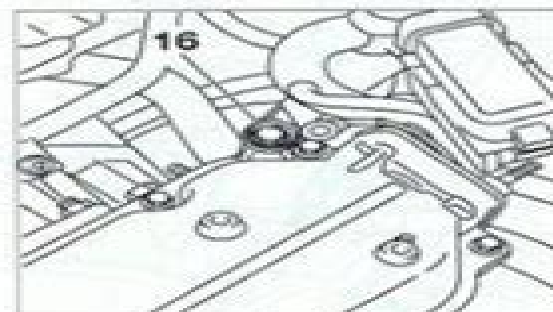


Fig. 9

- Desmontar los tornillos de fijación (17) de la tapa de culata (Fig. 10).

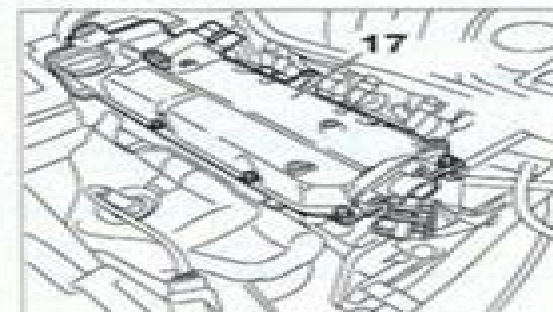


Fig. 10

MONTAJE

- Al montar, proceder en el orden inverso del desmontaje.
- Respetar los pares prescritos.

CONTROL Y REGLAJE DEL JUEGO DE VÁLVULAS



Estas operaciones deben ser realizadas motor frío, sabiendo que cuando un motor está a su temperatura normal de funcionamiento, hacen falta como mínimo 2 horas para que se enfríe.

UTILLAJE NECESARIO

- [1]. Juego de galgas.
- [2]. Palanca de empuje ref. 1.860.443.000.
- [3]. Palanca de sujeción ref. 1.860.724.001.

CONTROL

- Desmontar la tapa de culata.
- Con motor frío, comprobar el juego de válvulas con ayuda de galgas (Fig. 11) (ver Características).

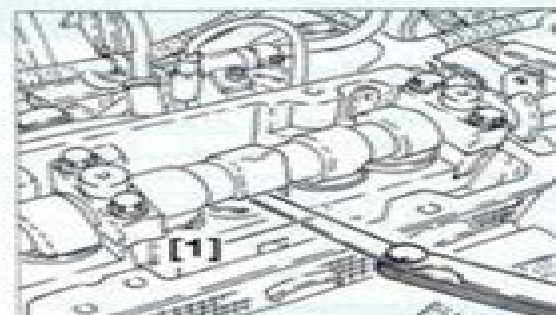


Fig. 11

REGLAJE

- Con el útil [2], bajar el empujador examinado (Fig. 12).

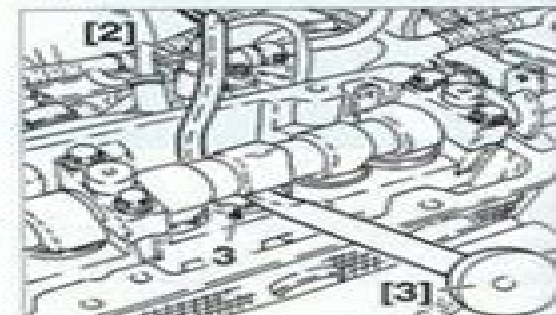


Fig. 12

- Montar el útil [3] para mantener el empujador abajo, y extraer la palanca de presión.
- Desmontar la pastilla de reglaje del juego de válvulas, y sustituirla por otra, de espesor apropiado.

DES-MONTAJE - MONTAJE DE LA CORREA DE DISTRIBUCIÓN

UTILLAJE NECESARIO

- [1]. Travesaño referencia Fiat 1.870.595.000.
- [2]. Separadores de apoyo referencia Fiat 1.870.650.000.
- [3]. Travesaño referencia Fiat 1.860.851.000.
- [4]. Soporte vertical referencia Fiat 1.871.001.300.
- [5]. Galga de bloqueo de ejes de levas referencia Fiat 2.000.004.400.
- [6]. Galga de bloqueo de cigüeñal referencia Fiat 2.000.004.500.
- [7]. Llave de sujeción del rodillo tensor de correa de distribución referencia Fiat 1.860.987.000.

Manual Citroen Xantia

Julia Schneider



Manual Citroen Xantia:

The Top Books of the Year Manual Citroen Xantia The year 2023 has witnessed a noteworthy surge in literary brilliance, with numerous captivating novels captivating the hearts of readers worldwide. Lets delve into the realm of bestselling books, exploring the fascinating narratives that have captivated audiences this year. The Must-Read : Colleen Hoovers "It Ends with Us" This poignant tale of love, loss, and resilience has captivated readers with its raw and emotional exploration of domestic abuse. Hoover masterfully weaves a story of hope and healing, reminding us that even in the darkest of times, the human spirit can triumph. Manual Citroen Xantia : Taylor Jenkins Reids "The Seven Husbands of Evelyn Hugo" This captivating historical fiction novel unravels the life of Evelyn Hugo, a Hollywood icon who defies expectations and societal norms to pursue her dreams. Reids compelling storytelling and compelling characters transport readers to a bygone era, immersing them in a world of glamour, ambition, and self-discovery. Manual Citroen Xantia : Delia Owens "Where the Crawdads Sing" This captivating coming-of-age story follows Kya Clark, a young woman who grows up alone in the marshes of North Carolina. Owens spins a tale of resilience, survival, and the transformative power of nature, captivating readers with its evocative prose and mesmerizing setting. These popular novels represent just a fraction of the literary treasures that have emerged in 2023. Whether you seek tales of romance, adventure, or personal growth, the world of literature offers an abundance of captivating stories waiting to be discovered. The novel begins with Richard Papen, a bright but troubled young man, arriving at Hampden College. Richard is immediately drawn to the group of students who call themselves the Classics Club. The club is led by Henry Winter, a brilliant and charismatic young man. Henry is obsessed with Greek mythology and philosophy, and he quickly draws Richard into his world. The other members of the Classics Club are equally as fascinating. Bunny Corcoran is a wealthy and spoiled young man who is always looking for a good time. Charles Tavis is a quiet and reserved young man who is deeply in love with Henry. Camilla Macaulay is a beautiful and intelligent young woman who is drawn to the power and danger of the Classics Club. The students are all deeply in love with Morrow, and they are willing to do anything to please him. Morrow is a complex and mysterious figure, and he seems to be manipulating the students for his own purposes. As the students become more involved with Morrow, they begin to commit increasingly dangerous acts. The Secret History is a masterful and thrilling novel that will keep you wondering until the very end. The novel is a cautionary tale about the dangers of obsession and the power of evil.

<https://staging.conocer.cide.edu/files/Resources/index.jsp/Jews%20Judaism%20And%20The%20Reformation%20In%20Sixteenthce.pdf>

Table of Contents Manual Citroen Xantia

1. Understanding the eBook Manual Citroen Xantia
 - The Rise of Digital Reading Manual Citroen Xantia
 - Advantages of eBooks Over Traditional Books
2. Identifying Manual Citroen Xantia
 - Exploring Different Genres
 - Considering Fiction vs. Non-Fiction
 - Determining Your Reading Goals
3. Choosing the Right eBook Platform
 - Popular eBook Platforms
 - Features to Look for in an Manual Citroen Xantia
 - User-Friendly Interface
4. Exploring eBook Recommendations from Manual Citroen Xantia
 - Personalized Recommendations
 - Manual Citroen Xantia User Reviews and Ratings
 - Manual Citroen Xantia and Bestseller Lists
5. Accessing Manual Citroen Xantia Free and Paid eBooks
 - Manual Citroen Xantia Public Domain eBooks
 - Manual Citroen Xantia eBook Subscription Services
 - Manual Citroen Xantia Budget-Friendly Options
6. Navigating Manual Citroen Xantia eBook Formats
 - ePub, PDF, MOBI, and More
 - Manual Citroen Xantia Compatibility with Devices
 - Manual Citroen Xantia Enhanced eBook Features
7. Enhancing Your Reading Experience
 - Adjustable Fonts and Text Sizes of Manual Citroen Xantia
 - Highlighting and Note-Taking Manual Citroen Xantia
 - Interactive Elements Manual Citroen Xantia
8. Staying Engaged with Manual Citroen Xantia

- Joining Online Reading Communities
 - Participating in Virtual Book Clubs
 - Following Authors and Publishers Manual Citroen Xantia
9. Balancing eBooks and Physical Books Manual Citroen Xantia
- Benefits of a Digital Library
 - Creating a Diverse Reading Collection Manual Citroen Xantia
10. Overcoming Reading Challenges
- Dealing with Digital Eye Strain
 - Minimizing Distractions
 - Managing Screen Time
11. Cultivating a Reading Routine Manual Citroen Xantia
- Setting Reading Goals Manual Citroen Xantia
 - Carving Out Dedicated Reading Time
12. Sourcing Reliable Information of Manual Citroen Xantia
- Fact-Checking eBook Content of Manual Citroen Xantia
 - Distinguishing Credible Sources
13. Promoting Lifelong Learning
- Utilizing eBooks for Skill Development
 - Exploring Educational eBooks
14. Embracing eBook Trends
- Integration of Multimedia Elements
 - Interactive and Gamified eBooks

Manual Citroen Xantia Introduction

In today's digital age, the availability of Manual Citroen Xantia books and manuals for download has revolutionized the way we access information. Gone are the days of physically flipping through pages and carrying heavy textbooks or manuals. With just a few clicks, we can now access a wealth of knowledge from the comfort of our own homes or on the go. This article will explore the advantages of Manual Citroen Xantia books and manuals for download, along with some popular platforms that offer these resources. One of the significant advantages of Manual Citroen Xantia books and manuals for download is the cost-saving aspect. Traditional books and manuals can be costly, especially if you need to purchase several of them for

educational or professional purposes. By accessing Manual Citroen Xantia versions, you eliminate the need to spend money on physical copies. This not only saves you money but also reduces the environmental impact associated with book production and transportation. Furthermore, Manual Citroen Xantia books and manuals for download are incredibly convenient. With just a computer or smartphone and an internet connection, you can access a vast library of resources on any subject imaginable. Whether you're a student looking for textbooks, a professional seeking industry-specific manuals, or someone interested in self-improvement, these digital resources provide an efficient and accessible means of acquiring knowledge. Moreover, PDF books and manuals offer a range of benefits compared to other digital formats. PDF files are designed to retain their formatting regardless of the device used to open them. This ensures that the content appears exactly as intended by the author, with no loss of formatting or missing graphics. Additionally, PDF files can be easily annotated, bookmarked, and searched for specific terms, making them highly practical for studying or referencing. When it comes to accessing Manual Citroen Xantia books and manuals, several platforms offer an extensive collection of resources. One such platform is Project Gutenberg, a nonprofit organization that provides over 60,000 free eBooks. These books are primarily in the public domain, meaning they can be freely distributed and downloaded. Project Gutenberg offers a wide range of classic literature, making it an excellent resource for literature enthusiasts. Another popular platform for Manual Citroen Xantia books and manuals is Open Library. Open Library is an initiative of the Internet Archive, a non-profit organization dedicated to digitizing cultural artifacts and making them accessible to the public. Open Library hosts millions of books, including both public domain works and contemporary titles. It also allows users to borrow digital copies of certain books for a limited period, similar to a library lending system. Additionally, many universities and educational institutions have their own digital libraries that provide free access to PDF books and manuals. These libraries often offer academic texts, research papers, and technical manuals, making them invaluable resources for students and researchers. Some notable examples include MIT OpenCourseWare, which offers free access to course materials from the Massachusetts Institute of Technology, and the Digital Public Library of America, which provides a vast collection of digitized books and historical documents. In conclusion, Manual Citroen Xantia books and manuals for download have transformed the way we access information. They provide a cost-effective and convenient means of acquiring knowledge, offering the ability to access a vast library of resources at our fingertips. With platforms like Project Gutenberg, Open Library, and various digital libraries offered by educational institutions, we have access to an ever-expanding collection of books and manuals. Whether for educational, professional, or personal purposes, these digital resources serve as valuable tools for continuous learning and self-improvement. So why not take advantage of the vast world of Manual Citroen Xantia books and manuals for download and embark on your journey of knowledge?

FAQs About Manual Citroen Xantia Books

1. Where can I buy Manual Citroen Xantia books? Bookstores: Physical bookstores like Barnes & Noble, Waterstones, and independent local stores. Online Retailers: Amazon, Book Depository, and various online bookstores offer a wide range of books in physical and digital formats.
2. What are the different book formats available? Hardcover: Sturdy and durable, usually more expensive. Paperback: Cheaper, lighter, and more portable than hardcovers. E-books: Digital books available for e-readers like Kindle or software like Apple Books, Kindle, and Google Play Books.
3. How do I choose a Manual Citroen Xantia book to read? Genres: Consider the genre you enjoy (fiction, non-fiction, mystery, sci-fi, etc.). Recommendations: Ask friends, join book clubs, or explore online reviews and recommendations. Author: If you like a particular author, you might enjoy more of their work.
4. How do I take care of Manual Citroen Xantia books? Storage: Keep them away from direct sunlight and in a dry environment. Handling: Avoid folding pages, use bookmarks, and handle them with clean hands. Cleaning: Gently dust the covers and pages occasionally.
5. Can I borrow books without buying them? Public Libraries: Local libraries offer a wide range of books for borrowing. Book Swaps: Community book exchanges or online platforms where people exchange books.
6. How can I track my reading progress or manage my book collection? Book Tracking Apps: Goodreads, LibraryThing, and Book Catalogue are popular apps for tracking your reading progress and managing book collections. Spreadsheets: You can create your own spreadsheet to track books read, ratings, and other details.
7. What are Manual Citroen Xantia audiobooks, and where can I find them? Audiobooks: Audio recordings of books, perfect for listening while commuting or multitasking. Platforms: Audible, LibriVox, and Google Play Books offer a wide selection of audiobooks.
8. How do I support authors or the book industry? Buy Books: Purchase books from authors or independent bookstores. Reviews: Leave reviews on platforms like Goodreads or Amazon. Promotion: Share your favorite books on social media or recommend them to friends.
9. Are there book clubs or reading communities I can join? Local Clubs: Check for local book clubs in libraries or community centers. Online Communities: Platforms like Goodreads have virtual book clubs and discussion groups.
10. Can I read Manual Citroen Xantia books for free? Public Domain Books: Many classic books are available for free as they're in the public domain. Free E-books: Some websites offer free e-books legally, like Project Gutenberg or Open Library.

Find Manual Citroen Xantia :

jews judaism and the reformation in sixteenthce

jewels binoculars

jewish music its historical development

jimi hendrix axis bold as love with transcriptions for guitar bass and drums

~~jigsaw world atlas jigsaws~~

jesus christ and mythology.

jig fixture handbook 3rd

jimmy beebe and the great silver air fleet a novel of adventure and suspense

jesus heals a sick man

~~jesus the christ the visual bible~~

jewish life in america historical perspectives

~~jesus walks the way of the cross today~~

jesus living in mary

jesus journey

jingle 1st edition

Manual Citroen Xantia :

Tatterhood and Other Tales “Tatterhood,” a Norwegian tale, is the first of 25 folk tales of brave, smart, and strong girls and women from collected, edited, and adapted from Africa, the ... Tatterhood and Other Tales by Ethel Johnston Phelps These twenty-five traditional tales come from Asia, Europe, Africa, and the Americas. All the central characters are spirited females—decisive heroes of ... Tatterhood and other tales: Stories of magic and adventure “Tatterhood,” a Norwegian tale, is the first of 25 folk tales of brave, smart, and strong girls and women from collected, edited, and adapted from Africa, the ... Tatterhood and Other Tales: Stories of Magic and Adventure These twenty-five traditional tales come from Asia, Europe, Africa, and the Americas. All the central characters are spirited females--decisive heroes of ... Tatterhood and Other Tales book by Ethel Johnston Phelps These twenty-five traditional tales come from Asia, Europe, Africa, and the Americas. All the central characters are spirited females--decisive heroes of ... Tatterhood Jul 12, 2016 — In every story, Tatterhood highlights the power of folklore and fairytales to hold up a mirror to our own humanity, reflecting back a glittering ... Tatterhood and Other Tales - Softcover These twenty-five traditional tales come from Asia, Europe, Africa, and the Americas. All the central

characters are spirited females—decisive heroes of ... Tatterhood and Other Tales by Ethel Johnston Phelps These twenty-five traditional tales come from Asia, Europe, Africa, and the Americas. All the central characters are spirited females—decisive heroes of ... Tatterhood and other tales : stories of magic and adventure A collection of traditional tales from Norway, England, China, and many other countries. Tatterhood and Other Tales These twenty-five traditional tales come from Asia, Europe, Africa, and the Americas. All the central characters are spirited females--decisive heroes of ... Controls Start-Up, Operation, Service, and Troubleshooting Carrier Standard Service Techniques Manual as a source of reference ... The 30GX,HX chiller units can be connected to the CCN if desired. The communication ... 30GX 082-358 30HXC 080-375 Screw Compressor Water • Check manual “30gX/30hXC Pro-Dialog Plus control” for a detailed explanation of ... The Carrier 30GX units are designed and built to ensure conformance with. Controls, Start-Up, Operation, Service, and Troubleshooting Use the Carrier Standard Service Techniques Manual as a source of reference ... The 30GX oil separators have 1/2-in. male flare connections. Some local ... 30GX and 30HXC series PRO-DIALOG Control Screw- ... It permits communication with elements of the. Carrier Comfort Network via the CCN bus. Control box. 3 Compressor start-up module. 4 Control system. 5 User ... Carrier Air-Cooled Chiller Model 30GXN/GXR ... Delta (30GXR) starting options. • Loss of chilled water flow protection. Features ... Refer to Carrier System Design Manual or appropriate ASHRAE (American ... 30HXC 075-370 30GX 080-350 Screw Compressor Water- ... Procedures in this manual are arranged in the sequence required for proper machine start-up and operation. SAFETY CONSIDERATIONS. 30HXC and 30GX liquid chillers ... Carrier 30GX Series Manuals Manuals and User Guides for Carrier 30GX Series. We have 3 Carrier 30GX Series manuals available for free PDF download: Installation, Operation And Maintenance ... 30HXC 080-375 30GX 082-358 Screw Compressor Water- ... Procedures in this manual are arranged in the sequence required for proper machine start-up and operation. 2 - SAFETY CONSIDERATIONS. 30HXC and 30GX liquid ... Carrier 30GX Installation, Operation And Maintenance ... View and Download Carrier 30GX installation, operation and maintenance instructions online. Screw-Compressor Air- and Water-Cooled Liquid Chillers. 30HXC 075-370 30GX 080-350 Screw Compressor Water- ... Procedures in this manual are arranged in the sequence required for proper machine start-up and operation. SAFETY CONSIDERATIONS. 30HXC and 30GX liquid chillers ... 16+ 1969 Camaro Engine Wiring Diagram Jul 23, 2020 — 16+ 1969 Camaro Engine Wiring Diagram. 1969 Chevy Camaro Color Wiring Diagram (All Models) 1969 Chevy Camaro Color Wiring Diagram (All Models) · Year specific to 69 Camaro (all trims) including RS, SS & Z-28 · Complete basic car included (engine, ... Wiring Diagram | 1969 Chevy Camaro (All Models) ... JEGS 19236 full-color wiring schematic is a budget-friendly way to streamline the process of re-wiring a 1969 Chevy Camaro. 69 Camaro Wiring Diagram 1 of 3 | PDF 69 Camaro Wiring Diagram 1 of 3 - Free download as PDF File (.pdf) or read online for free. camaro wiring diagram. Full Color Laminated Wiring Diagram FITS 1969 Chevy ... We have laminated wiring diagrams in full color for 30's 40's 50's 60's & 70's American Cars and Trucks (and some imports). * Diagram covers the complete basic ... 69

camaro factory distributor wiring diagram Dec 25, 2017 — Yellow wire from starter and the resistor wire from bulkhead go to positive pole of coil. Wire to distributor and tach prompt go to negative ... 1969 Chevrolet Wiring Diagram MP0034 This is the correct wiring diagram used to diagnose and repair electrical problems on your 1969 Chevrolet. Manufacturer Part Number : MP0034. WARNING: Cancer & ... 14263 | 1969 Camaro; Color Wiring Diagram; Laminated 1969 Camaro; Color Wiring Diagram; Laminated; 8-1/2" X 11" (All Models) · Year specific to 69 Camaro (all trim levels) including; RS, SS & Z/28 · Complete basic ... 1969 Camaro Factory Wiring Diagram Manual OE Quality! ... This wiring manual covers all typical wiring harness circuits including headlight harness, underdash harness, taillight harness, Air Conditioning, power windows ...