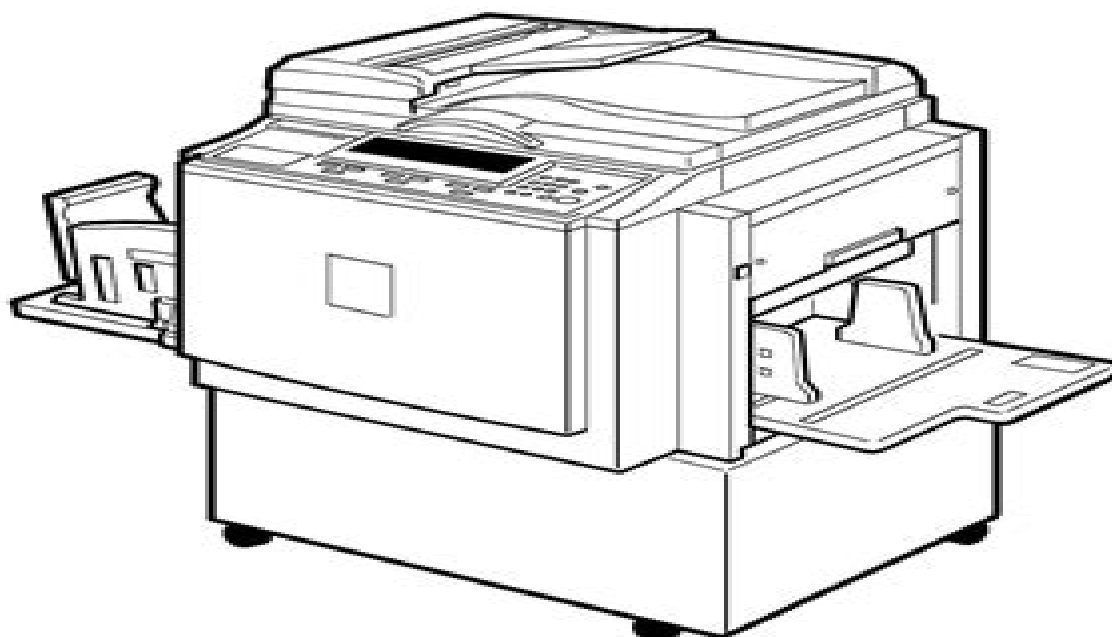


Operator Guide

LDD030



Digital Duplicator

Lanier 325 User Manual

M Woodhall



Lanier 325 User Manual:

The Engaging World of Kindle Books: A Thorough Guide Revealing the Benefits of Kindle Books: A World of Convenience and Versatility Kindle books, with their inherent mobility and ease of availability, have freed readers from the constraints of physical books. Gone are the days of lugging cumbersome novels or meticulously searching for specific titles in shops. Kindle devices, sleek and lightweight, effortlessly store an extensive library of books, allowing readers to immerse in their preferred reads whenever, everywhere. Whether commuting on a bustling train, relaxing on a sun-kissed beach, or simply cozying up in bed, E-book books provide an unparalleled level of convenience. A Reading Universe Unfolded: Exploring the Vast Array of E-book Lanier 325 User Manual Lanier 325 User Manual The Kindle Store, a digital treasure trove of literary gems, boasts an wide collection of books spanning varied genres, catering to every readers preference and preference. From gripping fiction and mind-stimulating non-fiction to classic classics and modern bestsellers, the E-book Store offers an exceptional variety of titles to explore. Whether seeking escape through immersive tales of fantasy and exploration, delving into the depths of past narratives, or expanding ones understanding with insightful works of scientific and philosophical, the E-book Store provides a doorway to a bookish universe brimming with limitless possibilities. A Transformative Force in the Literary Landscape: The Persistent Impact of Kindle Books Lanier 325 User Manual The advent of Kindle books has undoubtedly reshaped the bookish scene, introducing a paradigm shift in the way books are released, disseminated, and read. Traditional publishing houses have embraced the digital revolution, adapting their approaches to accommodate the growing need for e-books. This has led to a surge in the availability of Kindle titles, ensuring that readers have entry to a vast array of bookish works at their fingertips. Moreover, Kindle books have democratized entry to literature, breaking down geographical limits and providing readers worldwide with similar opportunities to engage with the written word. Regardless of their place or socioeconomic background, individuals can now immerse themselves in the captivating world of literature, fostering a global community of readers. Conclusion: Embracing the Kindle Experience Lanier 325 User Manual E-book books Lanier 325 User Manual, with their inherent convenience, flexibility, and wide array of titles, have unquestionably transformed the way we encounter literature. They offer readers the liberty to discover the limitless realm of written expression, anytime, everywhere. As we continue to navigate the ever-evolving digital landscape, E-book books stand as testament to the enduring power of storytelling, ensuring that the joy of reading remains accessible to all.

<https://staging.conocer.cide.edu/book/browse/Documents/Kia%20Sorento%202003%20Workshop%20Repair%20Service%20Manual.pdf>

Table of Contents Lanier 325 User Manual

1. Understanding the eBook Lanier 325 User Manual
 - The Rise of Digital Reading Lanier 325 User Manual
 - Advantages of eBooks Over Traditional Books
2. Identifying Lanier 325 User Manual
 - Exploring Different Genres
 - Considering Fiction vs. Non-Fiction
 - Determining Your Reading Goals
3. Choosing the Right eBook Platform
 - Popular eBook Platforms
 - Features to Look for in an Lanier 325 User Manual
 - User-Friendly Interface
4. Exploring eBook Recommendations from Lanier 325 User Manual
 - Personalized Recommendations
 - Lanier 325 User Manual User Reviews and Ratings
 - Lanier 325 User Manual and Bestseller Lists
5. Accessing Lanier 325 User Manual Free and Paid eBooks
 - Lanier 325 User Manual Public Domain eBooks
 - Lanier 325 User Manual eBook Subscription Services
 - Lanier 325 User Manual Budget-Friendly Options
6. Navigating Lanier 325 User Manual eBook Formats
 - ePub, PDF, MOBI, and More
 - Lanier 325 User Manual Compatibility with Devices
 - Lanier 325 User Manual Enhanced eBook Features
7. Enhancing Your Reading Experience
 - Adjustable Fonts and Text Sizes of Lanier 325 User Manual
 - Highlighting and Note-Taking Lanier 325 User Manual
 - Interactive Elements Lanier 325 User Manual
8. Staying Engaged with Lanier 325 User Manual

- Joining Online Reading Communities
 - Participating in Virtual Book Clubs
 - Following Authors and Publishers Lanier 325 User Manual
9. Balancing eBooks and Physical Books Lanier 325 User Manual
- Benefits of a Digital Library
 - Creating a Diverse Reading Collection Lanier 325 User Manual
10. Overcoming Reading Challenges
- Dealing with Digital Eye Strain
 - Minimizing Distractions
 - Managing Screen Time
11. Cultivating a Reading Routine Lanier 325 User Manual
- Setting Reading Goals Lanier 325 User Manual
 - Carving Out Dedicated Reading Time
12. Sourcing Reliable Information of Lanier 325 User Manual
- Fact-Checking eBook Content of Lanier 325 User Manual
 - Distinguishing Credible Sources
13. Promoting Lifelong Learning
- Utilizing eBooks for Skill Development
 - Exploring Educational eBooks
14. Embracing eBook Trends
- Integration of Multimedia Elements
 - Interactive and Gamified eBooks

Lanier 325 User Manual Introduction

Free PDF Books and Manuals for Download: Unlocking Knowledge at Your Fingertips In today's fast-paced digital age, obtaining valuable knowledge has become easier than ever. Thanks to the internet, a vast array of books and manuals are now available for free download in PDF format. Whether you are a student, professional, or simply an avid reader, this treasure trove of downloadable resources offers a wealth of information, conveniently accessible anytime, anywhere. The advent of online libraries and platforms dedicated to sharing knowledge has revolutionized the way we consume information. No longer confined to physical libraries or bookstores, readers can now access an extensive collection of digital books and

manuals with just a few clicks. These resources, available in PDF, Microsoft Word, and PowerPoint formats, cater to a wide range of interests, including literature, technology, science, history, and much more. One notable platform where you can explore and download free Lanier 325 User Manual PDF books and manuals is the internet's largest free library. Hosted online, this catalog compiles a vast assortment of documents, making it a veritable goldmine of knowledge. With its easy-to-use website interface and customizable PDF generator, this platform offers a user-friendly experience, allowing individuals to effortlessly navigate and access the information they seek. The availability of free PDF books and manuals on this platform demonstrates its commitment to democratizing education and empowering individuals with the tools needed to succeed in their chosen fields. It allows anyone, regardless of their background or financial limitations, to expand their horizons and gain insights from experts in various disciplines. One of the most significant advantages of downloading PDF books and manuals lies in their portability. Unlike physical copies, digital books can be stored and carried on a single device, such as a tablet or smartphone, saving valuable space and weight. This convenience makes it possible for readers to have their entire library at their fingertips, whether they are commuting, traveling, or simply enjoying a lazy afternoon at home. Additionally, digital files are easily searchable, enabling readers to locate specific information within seconds. With a few keystrokes, users can search for keywords, topics, or phrases, making research and finding relevant information a breeze. This efficiency saves time and effort, streamlining the learning process and allowing individuals to focus on extracting the information they need. Furthermore, the availability of free PDF books and manuals fosters a culture of continuous learning. By removing financial barriers, more people can access educational resources and pursue lifelong learning, contributing to personal growth and professional development. This democratization of knowledge promotes intellectual curiosity and empowers individuals to become lifelong learners, promoting progress and innovation in various fields. It is worth noting that while accessing free Lanier 325 User Manual PDF books and manuals is convenient and cost-effective, it is vital to respect copyright laws and intellectual property rights. Platforms offering free downloads often operate within legal boundaries, ensuring that the materials they provide are either in the public domain or authorized for distribution. By adhering to copyright laws, users can enjoy the benefits of free access to knowledge while supporting the authors and publishers who make these resources available. In conclusion, the availability of Lanier 325 User Manual free PDF books and manuals for download has revolutionized the way we access and consume knowledge. With just a few clicks, individuals can explore a vast collection of resources across different disciplines, all free of charge. This accessibility empowers individuals to become lifelong learners, contributing to personal growth, professional development, and the advancement of society as a whole. So why not unlock a world of knowledge today? Start exploring the vast sea of free PDF books and manuals waiting to be discovered right at your fingertips.

FAQs About Lanier 325 User Manual Books

1. Where can I buy Lanier 325 User Manual books? Bookstores: Physical bookstores like Barnes & Noble, Waterstones, and independent local stores. Online Retailers: Amazon, Book Depository, and various online bookstores offer a wide range of books in physical and digital formats.
2. What are the different book formats available? Hardcover: Sturdy and durable, usually more expensive. Paperback: Cheaper, lighter, and more portable than hardcovers. E-books: Digital books available for e-readers like Kindle or software like Apple Books, Kindle, and Google Play Books.
3. How do I choose a Lanier 325 User Manual book to read? Genres: Consider the genre you enjoy (fiction, non-fiction, mystery, sci-fi, etc.). Recommendations: Ask friends, join book clubs, or explore online reviews and recommendations. Author: If you like a particular author, you might enjoy more of their work.
4. How do I take care of Lanier 325 User Manual books? Storage: Keep them away from direct sunlight and in a dry environment. Handling: Avoid folding pages, use bookmarks, and handle them with clean hands. Cleaning: Gently dust the covers and pages occasionally.
5. Can I borrow books without buying them? Public Libraries: Local libraries offer a wide range of books for borrowing. Book Swaps: Community book exchanges or online platforms where people exchange books.
6. How can I track my reading progress or manage my book collection? Book Tracking Apps: Goodreads, LibraryThing, and Book Catalogue are popular apps for tracking your reading progress and managing book collections. Spreadsheets: You can create your own spreadsheet to track books read, ratings, and other details.
7. What are Lanier 325 User Manual audiobooks, and where can I find them? Audiobooks: Audio recordings of books, perfect for listening while commuting or multitasking. Platforms: Audible, LibriVox, and Google Play Books offer a wide selection of audiobooks.
8. How do I support authors or the book industry? Buy Books: Purchase books from authors or independent bookstores. Reviews: Leave reviews on platforms like Goodreads or Amazon. Promotion: Share your favorite books on social media or recommend them to friends.
9. Are there book clubs or reading communities I can join? Local Clubs: Check for local book clubs in libraries or community centers. Online Communities: Platforms like Goodreads have virtual book clubs and discussion groups.
10. Can I read Lanier 325 User Manual books for free? Public Domain Books: Many classic books are available for free as they're in the public domain. Free E-books: Some websites offer free e-books legally, like Project Gutenberg or Open Library.

Find Lanier 325 User Manual :

[kia sorento 2003 workshop repair service manual](#)

[kia spectra ignition diagram](#)

[khanyisa johannesburg nursing collage june intake](#)

[kia pro ceed user manual torrent](#)

[kia k3000 manual](#)

[kia carnival 2005 timing manual](#)

[kfc corn muffin recipe](#)

[kia amanti 2004 2008 service repair workshop manual](#)

[kia picanto 2003 wiring diagram](#)

[keystone rv customer service](#)

[kia magentis 2001 owners manual](#)

[kia carens rondo ii fl 1 6l 2009 service repair manual](#)

[kia sephia repair manual 1995](#)

[kia carnival ls 2001 electrical wiring diagram](#)

[kia amante repair manual](#)

Lanier 325 User Manual :

[adaptateur pour robinet avec pince et raccord rapide pour tuyau](#) - Jan 30 2023

web idéal idéal pour une utilisation dans les jardins les terrasses et les patios qui ont besoin d un tuyau pour arroser les plantes nettoyer la voiture le vélo etc matériaux fabriqué en polypropylène résistant à l eau à la poussière aux

[adaptateur de connecteur de robinet en acier inoxydable](#) - Sep 06 2023

web adaptateur de connecteur de robinet en acier inoxydable résistant à la corrosion pour jardin avec pince de 16 à 18 diamètre extérieur amazon ca outils et bricolage

[adaptateur de connecteur de robinet en acier inoxydable connecteur de](#) - May 02 2023

web adaptateur de connecteur de robinet en acier inoxydable connecteur de tuyau d arrosage résistant à la corrosion léger étanche 3 pièces adaptateur de connecteur de robinet de amazon fr jardin

[adaptateur robinet universel collier inox pour robinets embout](#) - Aug 25 2022

web adaptateur de robinet universel collier réglable acier inox jonction en caoutchouc souple noir raccordement tuyau

plastique abs pour robinets muni d

adaptateur de robinet acier inoxydable avec pince - May 22 2022

web adaptateur de robinet acier inoxydable avec pince downloaded from helpdesk bricksave com by guest anton conrad new trends in school science equipment simplissime bricolage this work has been selected by scholars as being culturally important and is part of the knowledge base of civilization as we know it

robinet en caoutchouc connecteur universel adapté pour les robinets - Oct 07 2023

web achetez robinet en caoutchouc connecteur universel adapté pour les robinets avec un diamètre extérieur de 14 24mm avec pinces en acier inoxydable adaptateur de robinet facile À installer pour la maison amazon fr livraison retours gratuits possible voir conditions

raccord de robinetterie leroy merlin - Dec 29 2022

web raccord de robinetterie vous garantir le bon achat on y travaille tous les jours retrouvez chez leroy merlin notre sélection de 1 581 produits au prix le plus juste sur un large choix de marques et de références disponibles en magasin ou livrés rapidement à votre domicile

adaptateur de connecteur de robinet en acier inoxydable 3pcs - Jul 04 2023

web adaptateur de connecteur de robinet en acier inoxydable 3pcs raccord de tuyau de tuyau robuste anti fuite adaptateur de connecteur de robinet léger pour avec pince 16 18 diamètre extérieur amazon fr jardin

[captcha cdiscount](#) - Feb 16 2022

web achat sur internet a prix discount de dvd et de produits culturels livre et musique informatiques et high tech image et son televiseur lcd ecran plasma telephone portable camscope developpement photo numerique achat d electromenager et de petit electromenager vente de pret a porter pour homme et femme

flexible robinetterie raccord flexible robinet castorama - Jul 24 2022

web il est possible de choisir un flexible de robinet en acier en inox ou en laiton ces métaux présentent une bonne résistance dans le temps pour une plus grande facilité d installation optez pour un flexible de robinet en pvc divers modèles sont disponibles afin de correspondre aux raccords du robinet

adaptateur de robinet universel collier réglable acier inox - Oct 27 2022

web convient à la plupart des robinets facile à installer et à utiliser permet une rotation à 360 degrés du jet d eau pour faciliter le nettoyage de l évier ou la manipulation du tuyau d arrosage dans le jardin

adaptateur pour robinet d intérieur gardena - Mar 20 2022

web l adaptateur pour robinet d intérieur gardena est doté d une clé de montage intégrée pour enlever facilement l adaptateur il peut ainsi être monté et démonté rapidement sans risquer d endommager le robinet possibilités de

raccordement robinets d'intérieur avec filetage mâle et femelle mâle 22 x 1 femelle et

adaptateur flexible robinet manomano - Sep 25 2022

web lot de 2 tuyaux de raccordement flexible monobloc m10 x 1 2 bsp 500mm tuyau tressé en acier inoxydable connecteur de robinet flexible pour remplacement universel de cuisine salle de bain oi fris o 15 9223 88 livraison gratuite 3

adaptateur de robinet à vis d'aile en acier inoxydable pour une - Apr 20 2022

web adaptateur de robinet à vis d'aile en acier inoxydable pour une installation fa eur 7 79 À vendre 1 x adaptateur sans fil flamant neuf et de haute qualité flexible 314894896035

adaptateur de connecteur de robinet en acier inoxydable - Aug 05 2023

web adaptateur de connecteur de robinet en acier inoxydable résistant à la corrosion anti fuite adaptateur de connecteur de robinet de cuisine avec pince de 16 à 18 cm de diamètre extérieur amazon ca everything else

amazon.com be adaptateur robinet tuyau arrosage - Feb 28 2023

web gardena nez de robinet 33 3 mm g 1 pouce original gardena system adaptateur pour raccordement d'un tuyau d'arrosage technologie anti éclaboussure résistant au gel vrac 18222 20 2 464 339 recevez le demain le 22 avril livraison

gratuite dès 20 00 d'achats expédiés par amazon

amazon.fr adaptateur robinet - Apr 01 2023

web xzeemo 2 pcs adaptateur de robinet filetage mâle connecteur aérateur de robinet en métal adaptateur métallique aluminium pour cuisine robinet adaptateur purificateur d'eau m20 m22 119 6 19 recevez le demain le 9 novembre livraison gratuite par amazon autres vendeurs sur amazon 4 33 2 offres de produits d'occasion et neufs

adaptateur de robinet d'intérieur gardena mr bricolage - Jun 22 2022

web description adaptateur de robinet d'intérieur se fixe au robinet d'intérieur cuisine ou salle de bain pour raccorder un tuyau raccordement aux filetages mâle m22 x 1 ou femelle m24 x 1 montage et démontage rapides et faciles clé de montage intégrée pour enlever sans rayures l'adaptateur présent sur le robinet

adaptateur robinet universel collier inox pour robinets embout - Jun 03 2023

web adaptateur de robinet universel collier réglable acier inox jonction en caoutchouc souple noir raccordement tuyau plastique abs pour robinets muni d'un embout 10 à 15 mm kibros jadu

adaptateur de robinet au meilleur prix leroy merlin - Nov 27 2022

web adaptateur de robinet adaptateur de robinet la sélection produits leroy merlin de ce dimanche au meilleur prix retrouvez ci après nos 276 offres marques références et promotions en stock prêtes à être livrées rapidement dans

bki baupreise kompakt 2020 neubau altbau gesamtpaket - Apr 14 2022

sep 13 2023 kompakt 2020 gesamtpaket neubau altbau bki baupreise kompakt 2020 neubau altbau gesamtpaket pdf

download klr bau kosten leistungs und bki baupreise kompakt 2018 neubau altbau gesamtpaket die neuen baupreise 2020 sind da neu bki baupreise kompakt neubau 2020 medienservice bki baupreise kompakt 2019 neubau statistische

bki baupreise kompakt altbau 2023 1 auflage beck shop de - Jun 28 2023

bki baupreise kompakt altbau 2023 liefert ihnen aktuelle baupreise zu 50 leistungsbereichen im altbau das buch im handlichen taschenformat deckt damit alle bereiche des bauens im bestand von abbruch bis trockenbauarbeiten ab die übersichtliche darstellung gegliedert nach den leistungsbereichen rohbau ausbau gebäudetechnik freianlage

bki baupreise kompakt 2024 neubau altbau bei - Oct 21 2022

bki baupreise kompakt 2024 neubau altbau gesamtpaket statistische baupreise für positionen mit kurztexten geordnet nach 98 leistungsbereichen ende 2023 zusammen ca 820 seiten 11 x 21 cm kartoniert im paket 12 günstiger komplettpreis 2 bände altbau neubau zusammen für 139 statt einzeln 158

bki baupreise kompakt altbau 2020 statistische baupreise für - Jul 30 2023

bki baupreise kompakt altbau 2020 statistische baupreise für positionen mit kurztexten taschenbuch 18 oktober 2019 oktober 2019 von bki baukosteninformationszentrum herausgeber

bki baupreise kompakt 2023 altbau - Jul 18 2022

die ausgabe altbau beinhaltet über 11 000 baupreise aus 50 leistungsbereichen von abbruch bis trockenbauarbeiten ihr praxisnutzen im Überblick einzigartig abgerechnete baupreise auf dem neuesten stand 2022 2023 sichere prüfung von

bki baupreise kompakt 2020 neubau altbau gesamtpaket - Jan 24 2023

sep 20 2023 bki baupreise kompakt 2020 neubau altbau gesamtpaket bki altbau das beste aus 2020 ranking amp bewertungen bki baupreise kompakt altbau neubau 2020 malerblatt bki baupreise kompakt altbau neubau 2020 medienservice baukosten im test vergleich der

bki baupreise kompakt 2020 neubau altbau gesamtpaket - Aug 31 2023

jun 10 2023 baupreise 2020 für neu und altbau neue statistische baupreise 2020 für neu und altbau bki 2020 über 80 neue produkte zum festpreis das ist bki baupreise kompakt 2020 neubau altbau gesamtpaket bki baukosten gebäude neubau 2019 fachbuch bücher de sitemap baukosten bki baupreise kompakt 2019 neubau statistische bki positionen zvab

bki baupreise kompakt 2020 neubau altbau gesamtpa - Oct 01 2023

4 bki baupreise kompakt 2020 neubau altbau gesamtpa 2022 11 30 considerations new studies on storage needs addresses power to x for the chemical industry new liquid organic hydrogen carriers lohc and potential energy storage and highlights the latest cost trends and battery applications finally a comprehensive book on the energy

bki baupreise kompakt 2020 neubau altbau gesamtpaket - Dec 23 2022

baupreise kompakt neubau 2020 medienservice musterseiten neubau altbau 2020 bki de bki baupreise kompakt 2020 neubau

altbau gesampaket baukosten im test vergleich der bestseller aus 2018 neue statistische baupreise 2020 für neu und altbau
bki bki baukosten gebraucht kaufen nur 4 st bis 60 günstiger bki altbau das beste aus 2020 ranking

bki baupreise kompakt 2020 neubau altbau gesampaket - Mar 14 2022

jun 15 2023 bki baupreise kompakt 2020 neubau altbau gesampaket unsere asiatische zukunft buchhandlung gütelhöfer e
k bki altbau das beste aus 2020 ranking amp bewertungen bki baupreise kompakt 2020 neubau bki baupreise kompakt 2016
neubau altbau gesampaket bki baupreise kompakt 2019 neubau altbau gesampaket

bki baukosten gebäude neubau 2023 teil 1 baufachmedien - Mar 26 2023

teil 1 baukosten gebäude neubau 2023 enthält 25 000 statistische kostenkennwerte zu 75 gebäudearten unterschiedlicher
standards einfach mittel hoch bezogen auf verschiedene bezugsgrößen brutto rauminhalt brutto grundfläche nutzfläche
grobelement nach din 276 leistungsbereiche gewerke

bki baupreise kompakt 2020 neubau altbau gesampaket - Jun 16 2022

june 1st 2020 bki baupreise kompakt 2020 neubau altbau gesampaket basis bibliothek kommunikation in der schule
basiswissen sicherheitstests baukostenplanung kompakt berufe machen kleider blutsauger und hygieneschädlinge
bundesrahmentarifvertrag für apothekenmitarbeiter chancen und herausforderungen des digitalen lernens cybersecurity

bki baupreise kompakt 2020 neubau altbau gesampaket - Nov 21 2022

as this bki baupreise kompakt 2020 neubau altbau gesampaket but end stirring in harmful downloads rather than enjoying a
fine ebook past a cup of coffee in the afternoon instead they juggled gone some harmful virus inside their computer bki
baupreise kompakt 2020 neubau altbau gesampaket

bki baupreise kompakt altbau 2024 bei architekturbuch de - Aug 19 2022

bki baupreise kompakt 2024 altbau statistische baupreise für positionen mit kurztexten geordnet nach 50 leistungsbereichen
ende 2023 ca 380 seiten 11 x 21 cm kartoniert alle altbau baupreise 2024 im griff hier erhalten sie die aktuellen baupreise zu
50 leistungsbereichen im altbau

bki baupreise kompakt 2023 neubau - Sep 19 2022

statistische baupreise zu positionen mit minimal von mittel bis und maximalpreisen sowie erläuternde stichworttexte und die
zugehörigen mengeneinheiten mit angaben zur kostengruppe nach aktueller din 276 die ausgabe neubau beinhaltet über 13
000 baupreise aus 48 leistungsbereichen

bki baukosten gebäude altbau 2023 - Feb 22 2023

neue kostensicherheit mit bki baukosten altbau 2023 zu 37 altbau gebäudearten mit statistischer sicherheit von über 700
altbau objekten optimal für die kostenplanung von baumaßnahmen zur nachverdichtung in städten z b aufstockung von
gebäuden dachausbau von wohngebäuden neue kostenkennwerte 2023 bezogen auf brutto rauminhalt brutto

bki baupreise kompakt 2020 neubau altbau gesamtpa - Apr 26 2023

bki baupreise kompakt 2020 neubau altbau gesamtpa maybe you have knowledge that people have look numerous period for their favorite books in the manner of this bki baupreise kompakt 2020 neubau altbau gesamtpa but stop happening in harmful downloads rather than enjoying a fine book taking into account a mug of coffee in the afternoon

bki baupreise kompakt 2023 neubau altbau - May 16 2022

die ausgabe neubau beinhaltet über 13 000 baupreise aus 48 leistungsbereichen damit gehen sie bei baumaßnahmen vom rohbau ausbau bis zur gebäudetechnik auf nummer sicher bei der ausgabe altbau greifen sie auf über 11 000 baupreise aus 50 leistungsbereichen zu von abbruch bis trockenbauarbeiten ihr praxisnutzen im Überblick

bki baupreise kompakt 2020 neubau altbau gesamtpaket - Feb 10 2022

jun 11 2023 das komplett paket bki baupreise kompakt neubau altbau 2020 liefert aktuelle baupreise zu den wichtigsten leistungsbereichen im neu und altbau die übersichtliche darstellung geordnet nach 91 leistungsbereichen bietet eine optimale vergleichsgrundlage

bki baupreise kompakt 2023 neubau altbau - May 28 2023

bei der ausgabe altbau greifen sie auf über 11 000 baupreise aus 50 leistungsbereichen zu von abbruch bis trockenbauarbeiten ihr praxisnutzen im Überblick einzigartig abgerechnete baupreise auf dem neuesten stand 2022 2023

now you see me 2 2016 movie script ss springfield - Jun 01 2022
web now you see me 2 2016 movie script read the now you see me 2 full movie script online springfield springfield movie scripts thousands of tv show episode and movie scripts online

now you see me movie script - Feb 09 2023

web read review and discuss the entire now you see me movie script by ed solomon on scripts com

[now you see me 2013 movie script ss springfield springfield](#) - Aug 15 2023

web now you see me 2013 movie script read the now you see me full movie script online springfield springfield movie scripts thousands of tv show episode and movie scripts online

now you see me the abridged script the editing room - Dec 07 2022

web jul 4 2013 now you see me the abridged script the editing room good evening and welcome to the first annual tron legacy awards now you see me the abridged script written by alex w movie july 4 2013 fade in ext various locations

[now you see me 2013 screenplay script slug](#) - Jul 14 2023

web aug 1 2023 now you see me 2013 screenplay script slug 2013 film read the script synopsis an fbi agent and an interpol detective track a team of illusionists who pull off bank heists during their performances and reward their audiences with the money writers film crime mystery thriller powered by

now you see me the script lab - Apr 30 2022

web now you see me the script lab 2013 crime mystery thriller feature film an f b i agent and an interpol detective track a team of illusionists who pull off bank heists during their performances and reward their audiences with the money writers boaz yakin edward ricourt companies summit entertainment k o paper products lionsgate

now you see me movie script - Oct 05 2022

web aug 5 2018 now you see me synopsis four magicians each answer a mysterious summons to an obscure address with secrets inside a year later they are the four horsemen big time stage illusionists who climax their sold out las vegas show with a bank apparently robbed for real

now you see me english transcript readable - Mar 10 2023

web now you see me english transcript

now you see me script pdf sw n script library - Jun 13 2023

web read the now you see me script pdf for free on screenwriters network s script library search your favourite screenplays today

now you see me subtitles 344 subtitles - Jul 02 2022

web now you see me subtitles aka ілюзія обману now you see me 1 nowyou see me 4 amazing magicians 3 impossible heists 1 billion dollars this is no illusion an fbi agent and an interpol detective track a team of illusionists who pull off bank heists during their performances and reward their audiences with the money

now you see me script pdf sw n script library - May 12 2023

web now you see me script pdf sw n script library author now you see me script pdf sw n script library subject now you see me script pdf sw n script library keywords now you see me script pdf sw n script library created date 3 30 2021 12 40 28 am

now you see me script scripts on screen - Jan 08 2023

web script synopsis an fbi agent and an interpol detective track a team of illusionists who pull off bank heists during their performances and reward their audiences with the money now you see me script resources now you see me script pdf at script slug now you see me script pdf 9 may at script city

now you see me script at imsdb - Nov 06 2022

web now you see me script at imsdb imsdb opinion none available imsdb rating not available average user rating none available writers genres script date january movie release date read now you see me script now you see me script

now you see me now you see me wiki fandom - Aug 03 2022

web now you see me is a 2013 film directed by louis leterrier and written by ed solomon boaz yakin and edward ricourt the film features an ensemble cast of jesse eisenberg mark ruffalo woody harrelson isla fisher dave franco mélanie laurent

michael caine and morgan freeman

now you see me film wikipedia - Sep 04 2022

web now you see me is a 2013 american heist film 4 directed by louis leterrier from a screenplay by ed solomon boaz yakin and edward ricourt and a story by yakin and ricourt it is the first installment in the now you see me series

now you see me 2 2016 movie script subs like script - Mar 30 2022

web now you see me 2 2016 full transcript one year after outwitting the fbi and winning the public s adulation with their robin hood style magic spectacles the four horsemen resurface for a comeback performance in hopes of exposing the unethical practices of

now you see me 2013 f004 backblazeb2 com - Apr 11 2023

web now you see me a spotlight illuminates michael atlas a handsome young man wearing jeans and a t shirt though he radiates confidence his tone is humble but it s hard to tell if it s genuine or a put on michael atlas ladies and gentlemen we re delighted to have provided you with

now you see me 2 movie script - Jan 28 2022

web aug 5 2018 now you see me 2 synopsis one year after outwitting the fbi and winning the public s adulation with their robin hood style magic spectacles the four horsemen resurface for a comeback performance in hopes of exposing the unethical practices of

now you see me screenplay scripts on screen - Dec 27 2021

web script synopsis an fbi agent and an interpol detective track a team of illusionists who pull off bank heists during their performances and reward their audiences with the money now you see me script resources now you see me script pdf at script slug now you see me script pdf 9 may at script city

now you see me script in pdf format - Feb 26 2022

web now you see me script in pdf format read review and discuss the now you see me script in pdf format on scripts com login