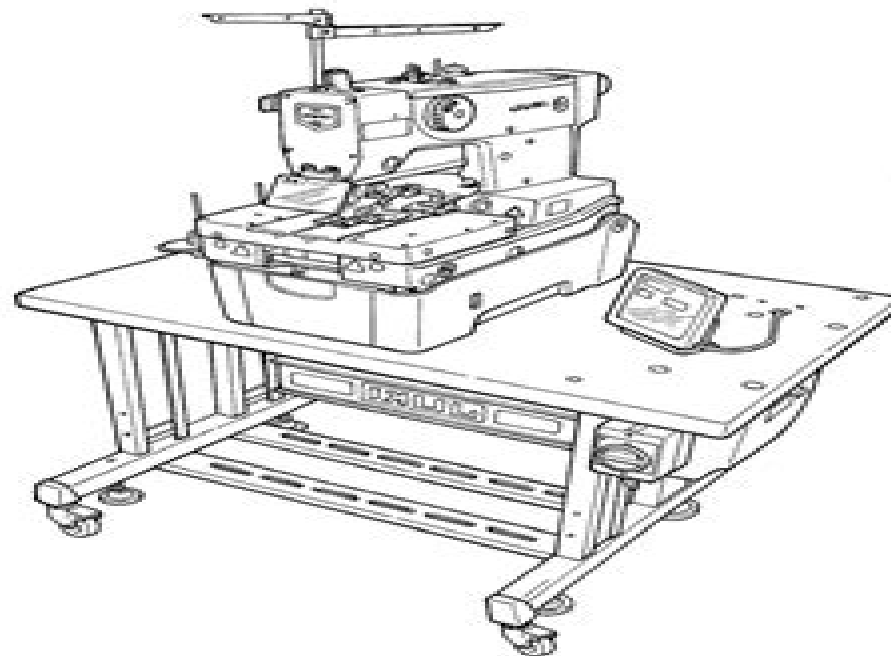


JUKI®

Computer-controlled, Eyelet Buttonholing Machine

MEB-3810

ENGINEER'S MANUAL



40120264
No. E403-00

Juki Sewing Service Manual Meb 3810

Michal Rosen-Zvi



Juki Sewing Service Manual Meb 3810:

Sewing Machine Service Manual L. ROBINSON,1972 Dykes Sewing Machine Service Manual Ottis Dykes,1978

Sewing Machine Service Manual G. E. Snyder,S. M. Snyder,1981 *Robinson's Sewing Machine Service Manual* Lee Robinson,1972 **Sewing Machine Repair Manual for Beginners** Ifeanyi Nwafor,2023-07 Sewing machine fix incorporates the most well known approach to diagnosing exploring and fixing issues or errors that arise with sewing machines A competent and explicit specialty requires data on the inward elements of sewing machines as well as inclusion with dealing with mechanical electrical and electronic parts Concerning sewing machine fix there are various perspectives and frameworks included including Assurance A talented sewing machine expert beginnings by recognizing the issue or breakdown This could consolidate issues for instance a destroyed needle pressure issues string jams motor breakdowns or electronic mistakes Exploring When the issue is recognized the expert uses their ability to choose the explanation and potential plans This could incorporate assessing the various bits of the sewing machine checking with the expectation of complimentary affiliations evolving settings or testing the machine s convenience Fix or Replacement directly following pinpointing the basic driver the expert gets back with fixing or superseding the flawed parts This can incorporate endeavors like overriding broken needles changing tension circles superseding separated belts or pinion wheels tidying and lubing up mechanical parts or fixing electronic circuits Instruction Manual for Sewing Machine Necchi S.p.A.,2006 **Mechanic's Manual for Repair and Adjustment of Lock-stitch Sewing Machines** K. W. Pollock,R. L. Banwart,1988 Service Manual for Pfaff Sewing Machines 260 and 360 with Built-in Automatic Embroidery Mechanism ,1965 *Service Manual, Pfaff 230/332 Automatic* ,1960 Repair Servicing and Fault Finding Manual Alan Williams,2014 Care and Adjustment of the Sewing Machine Alabama Polytechnic Institute. Extension Service,194?

Decoding **Juki Sewing Service Manual Meb 3810**: Revealing the Captivating Potential of Verbal Expression

In a time characterized by interconnectedness and an insatiable thirst for knowledge, the captivating potential of verbal expression has emerged as a formidable force. Its ability to evoke sentiments, stimulate introspection, and incite profound transformations is genuinely awe-inspiring. Within the pages of "**Juki Sewing Service Manual Meb 3810**," a mesmerizing literary creation penned by a celebrated wordsmith, readers set about an enlightening odyssey, unraveling the intricate significance of language and its enduring effect on our lives. In this appraisal, we shall explore the book's central themes, evaluate its distinctive writing style, and gauge its pervasive influence on the hearts and minds of its readership.

<https://staging.conocer.cide.edu/public/scholarship/fetch.php/Essential%20Marketing%207%20Marketing%20Psychology%20Volume%207.pdf>

Table of Contents Juki Sewing Service Manual Meb 3810

1. Understanding the eBook Juki Sewing Service Manual Meb 3810
 - The Rise of Digital Reading Juki Sewing Service Manual Meb 3810
 - Advantages of eBooks Over Traditional Books
2. Identifying Juki Sewing Service Manual Meb 3810
 - Exploring Different Genres
 - Considering Fiction vs. Non-Fiction
 - Determining Your Reading Goals
3. Choosing the Right eBook Platform
 - Popular eBook Platforms
 - Features to Look for in an Juki Sewing Service Manual Meb 3810
 - User-Friendly Interface
4. Exploring eBook Recommendations from Juki Sewing Service Manual Meb 3810
 - Personalized Recommendations
 - Juki Sewing Service Manual Meb 3810 User Reviews and Ratings

- Juki Sewing Service Manual Meb 3810 and Bestseller Lists
- 5. Accessing Juki Sewing Service Manual Meb 3810 Free and Paid eBooks
 - Juki Sewing Service Manual Meb 3810 Public Domain eBooks
 - Juki Sewing Service Manual Meb 3810 eBook Subscription Services
 - Juki Sewing Service Manual Meb 3810 Budget-Friendly Options
- 6. Navigating Juki Sewing Service Manual Meb 3810 eBook Formats
 - ePub, PDF, MOBI, and More
 - Juki Sewing Service Manual Meb 3810 Compatibility with Devices
 - Juki Sewing Service Manual Meb 3810 Enhanced eBook Features
- 7. Enhancing Your Reading Experience
 - Adjustable Fonts and Text Sizes of Juki Sewing Service Manual Meb 3810
 - Highlighting and Note-Taking Juki Sewing Service Manual Meb 3810
 - Interactive Elements Juki Sewing Service Manual Meb 3810
- 8. Staying Engaged with Juki Sewing Service Manual Meb 3810
 - Joining Online Reading Communities
 - Participating in Virtual Book Clubs
 - Following Authors and Publishers Juki Sewing Service Manual Meb 3810
- 9. Balancing eBooks and Physical Books Juki Sewing Service Manual Meb 3810
 - Benefits of a Digital Library
 - Creating a Diverse Reading Collection Juki Sewing Service Manual Meb 3810
- 10. Overcoming Reading Challenges
 - Dealing with Digital Eye Strain
 - Minimizing Distractions
 - Managing Screen Time
- 11. Cultivating a Reading Routine Juki Sewing Service Manual Meb 3810
 - Setting Reading Goals Juki Sewing Service Manual Meb 3810
 - Carving Out Dedicated Reading Time
- 12. Sourcing Reliable Information of Juki Sewing Service Manual Meb 3810
 - Fact-Checking eBook Content of Juki Sewing Service Manual Meb 3810
 - Distinguishing Credible Sources

-
13. Promoting Lifelong Learning
 - Utilizing eBooks for Skill Development
 - Exploring Educational eBooks
 14. Embracing eBook Trends
 - Integration of Multimedia Elements
 - Interactive and Gamified eBooks

Juki Sewing Service Manual Meb 3810 Introduction

In the digital age, access to information has become easier than ever before. The ability to download Juki Sewing Service Manual Meb 3810 has revolutionized the way we consume written content. Whether you are a student looking for course material, an avid reader searching for your next favorite book, or a professional seeking research papers, the option to download Juki Sewing Service Manual Meb 3810 has opened up a world of possibilities. Downloading Juki Sewing Service Manual Meb 3810 provides numerous advantages over physical copies of books and documents. Firstly, it is incredibly convenient. Gone are the days of carrying around heavy textbooks or bulky folders filled with papers. With the click of a button, you can gain immediate access to valuable resources on any device. This convenience allows for efficient studying, researching, and reading on the go. Moreover, the cost-effective nature of downloading Juki Sewing Service Manual Meb 3810 has democratized knowledge. Traditional books and academic journals can be expensive, making it difficult for individuals with limited financial resources to access information. By offering free PDF downloads, publishers and authors are enabling a wider audience to benefit from their work. This inclusivity promotes equal opportunities for learning and personal growth. There are numerous websites and platforms where individuals can download Juki Sewing Service Manual Meb 3810. These websites range from academic databases offering research papers and journals to online libraries with an expansive collection of books from various genres. Many authors and publishers also upload their work to specific websites, granting readers access to their content without any charge. These platforms not only provide access to existing literature but also serve as an excellent platform for undiscovered authors to share their work with the world. However, it is essential to be cautious while downloading Juki Sewing Service Manual Meb 3810. Some websites may offer pirated or illegally obtained copies of copyrighted material. Engaging in such activities not only violates copyright laws but also undermines the efforts of authors, publishers, and researchers. To ensure ethical downloading, it is advisable to utilize reputable websites that prioritize the legal distribution of content. When downloading Juki Sewing Service Manual Meb 3810, users should also consider the potential security risks associated with online platforms. Malicious actors may exploit vulnerabilities in unprotected websites to distribute malware or steal personal information. To protect themselves, individuals should ensure

their devices have reliable antivirus software installed and validate the legitimacy of the websites they are downloading from. In conclusion, the ability to download Juki Sewing Service Manual Meb 3810 has transformed the way we access information. With the convenience, cost-effectiveness, and accessibility it offers, free PDF downloads have become a popular choice for students, researchers, and book lovers worldwide. However, it is crucial to engage in ethical downloading practices and prioritize personal security when utilizing online platforms. By doing so, individuals can make the most of the vast array of free PDF resources available and embark on a journey of continuous learning and intellectual growth.

FAQs About Juki Sewing Service Manual Meb 3810 Books

What is a Juki Sewing Service Manual Meb 3810 PDF? A PDF (Portable Document Format) is a file format developed by Adobe that preserves the layout and formatting of a document, regardless of the software, hardware, or operating system used to view or print it. **How do I create a Juki Sewing Service Manual Meb 3810 PDF?** There are several ways to create a PDF: Use software like Adobe Acrobat, Microsoft Word, or Google Docs, which often have built-in PDF creation tools. Print to PDF: Many applications and operating systems have a "Print to PDF" option that allows you to save a document as a PDF file instead of printing it on paper. Online converters: There are various online tools that can convert different file types to PDF. **How do I edit a Juki Sewing Service Manual Meb 3810 PDF?** Editing a PDF can be done with software like Adobe Acrobat, which allows direct editing of text, images, and other elements within the PDF. Some free tools, like PDFescape or Smallpdf, also offer basic editing capabilities. **How do I convert a Juki Sewing Service Manual Meb 3810 PDF to another file format?** There are multiple ways to convert a PDF to another format: Use online converters like Smallpdf, Zamzar, or Adobe Acrobats export feature to convert PDFs to formats like Word, Excel, JPEG, etc. Software like Adobe Acrobat, Microsoft Word, or other PDF editors may have options to export or save PDFs in different formats. **How do I password-protect a Juki Sewing Service Manual Meb 3810 PDF?** Most PDF editing software allows you to add password protection. In Adobe Acrobat, for instance, you can go to "File" -> "Properties" -> "Security" to set a password to restrict access or editing capabilities. Are there any free alternatives to Adobe Acrobat for working with PDFs? Yes, there are many free alternatives for working with PDFs, such as: LibreOffice: Offers PDF editing features. PDFsam: Allows splitting, merging, and editing PDFs. Foxit Reader: Provides basic PDF viewing and editing capabilities. How do I compress a PDF file? You can use online tools like Smallpdf, ILovePDF, or desktop software like Adobe Acrobat to compress PDF files without significant quality loss. Compression reduces the file size, making it easier to share and download. Can I fill out forms in a PDF file? Yes, most PDF viewers/editors like Adobe Acrobat, Preview (on Mac), or various online tools allow you to fill out forms in PDF files by selecting text fields and entering information. Are there any restrictions when working with PDFs?

Some PDFs might have restrictions set by their creator, such as password protection, editing restrictions, or print restrictions. Breaking these restrictions might require specific software or tools, which may or may not be legal depending on the circumstances and local laws.

Find Juki Sewing Service Manual Meb 3810 :

essential marketing 7 marketing psychology volume 7

essentials of pharmacology 6th edition

ethan frome answers to study guide

essays more straight from the pen

essentials of oceanography pearson custom

essential monster movie guide

~~ets major field test mba answer sheet~~

essentials of understanding psychology with connect plus access card

essential of corporate finance

essentials of contemporary management 5th edition

~~est2-system operation manual~~

essential of investment 9th edition test bank

ets special education study guide

essentials of physical anthropology 2nd edition

essentials of human nutrition 4th edition

Juki Sewing Service Manual Meb 3810 :

petit livre de recettes sino vietnamiennes et exo copy - Jul 10 2022

web aug 21 2023 petit livre de recettes sino vietnamiennes et exo 2 5 downloaded from uniport edu ng on august 21 2023
by guest entertaining best in this fascinating compendium of recipes for forty six different fruits some like pears will probably seem homely and familiar until you ve tried them ³/₄ la chinoise others such as the carambola

petit livre de recettes sino vietnamiennes et exo pdf - Feb 05 2022

web mar 19 2023 petit livre de recettes sino vietnamiennes et exo 1 8 downloaded from uniport edu ng on march 19 2023
by guest petit livre de recettes sino vietnamiennes et exo as recognized adventure as skillfully as experience more or less

lesson amusement as capably as pact

200 recettes de cuisine vietnamienne amazon fr - Jan 16 2023

web retrouvez 200 recettes de cuisine vietnamienne et des millions de livres en stock sur amazon fr achetez neuf ou d occasion passer au contenu principal fr livraison à 44000 bon livre de recette mais les recettes de ma belle mère vietnamienne sont bien meilleures le résultat des recette est moyen en respectant les quantités

petit livre de recettes sino vietnamiennes et exo pdf - Apr 19 2023

web petit livre de recettes sino vietnamiennes et exo 1 5 downloaded from uniport edu ng on may 22 2023 by guest petit livre de recettes sino vietnamiennes et exo as recognized adventure as without difficulty as experience nearly lesson amusement as

petit livre de recettes sino vietnamiennes et exo copy - Jan 04 2022

web mar 22 2023 petit livre de recettes sino vietnamiennes et exo 1 8 downloaded from uniport edu ng on march 22 2023 by guest petit livre de recettes sino vietnamiennes et exo as recognized adventure as competently as experience practically lesson amusement as with ease as

petit livre de recettes sino vietnamiennes et exo copy - Dec 15 2022

web jul 4 2023 petit livre de recettes sino vietnamiennes et exo 2 5 downloaded from uniport edu ng on july 4 2023 by guest school of thought has argued that the united states built a legitimate and viable non communist state in south vietnam in the latter years of the vietnam war and that it was only the military abandonment of

les 5 meilleurs livres de cuisine vietnamienne - Mar 06 2022

web cet article vous présente une sélection de 5 des meilleurs livres de cuisine vietnamienne 1 easy vietnam nathalie nguyen disponible sur amazon disponible à la fnac nathalie nguyen finaliste masterchef issue d une grande lignée de cuisiniers vietnamiens vous invite à un voyage gourmand pour vous révéler les meilleures

petit livre de recettes sino vietnamiennes et exo download - Sep 12 2022

web we give petit livre de recettes sino vietnamiennes et exo and numerous ebook collections from fictions to scientific research in any way among them is this petit livre de recettes sino vietnamiennes et exo that can be your partner petit livre de recettes sino vietnamiennes et exo 2022 06 21 riya phoebe

recettes vietnamiennes poulet crevettes boeuf journal des - Feb 17 2023

web recettes vietnamiennes poulet crevettes boeuf nems rouleaux de printemps et autres soupe pho la cuisine vietnamienne est parfumée et légère plus besoin d aller au restaurant asiatique aidez vous de nos recettes vietnamiennes pour préparer des plats traditionnels en toute simplicité

petit livre de recettes sino vietnamiennes et exotiques by - Nov 02 2021

web april 28th 2020 petit livre de recettes de cuisine sino vietnamiennes et exotiques recettes extremes orientales japon indes egypte arabie afrique antilles amerique du sud bresil et argentine télécharger petit livre de recettes

petit livre de recettes sino vietnamiennes et exo - May 20 2023

web reason easy so are you question just exercise just what we come up with the money for below as skillfully as evaluation petit livre de recettes sino vietnamiennes et exo what you like to read biblio 1961 race crime and criminal justice a kalunta crumpton 2010 03 31 this book provides a focused and critical international overview of the *petit livre de recettes sino vietnamiennes et exo pdf* - Oct 13 2022

web 4 petit livre de recettes sino vietnamiennes et exo 2023 04 18 university of chicago press salut les amis embarquez pour un voyage aux quatre coins de l asie avec votre chef particulier thai alias le riz jaune le youtubeur spécialiste des saveurs asiatiques revisite en toute simplicité la cuisine chinoise thaïe vietnamienne

petit livre de recettes sino vietnamiennes et exotiques by - May 08 2022

web it will immensely convenience you to see tutorial petit livre de recettes sino vietnamiennes et exotiques by as you such as this is why we offer the ebook assortments in this website les 7 meilleures images de poulet japonais recettes de dix les vietnamiennes paradisiaques cap vietnam les 22076 meilleures images de

petit livre de recettes sino vietnamiennes et exo pdf copy - Aug 11 2022

web petit livre de recettes sino vietnamiennes et exo pdf upload mia p boyle 1 2 downloaded from voto uncal edu br on august 27 2023 by mia p boyle such is the essence of the book petit livre de recettes sino vietnamiennes et exo pdf a literary masterpiece that delves deep into the significance of words and their effect on our lives

petit livre de recettes sino vietnamiennes et exo pdf - Jul 22 2023

web mar 25 2023 petit livre de recettes sino vietnamiennes et exo 1 4 downloaded from uniport edu ng on march 25 2023 by guest petit livre de recettes sino vietnamiennes et exo 2 4 downloaded from uniport edu ng on march 25 2023 by guest model employee but gets overlooked for promotion kim jiyoung is a wife who gives up her career and

petit livre de recettes sino vietnamiennes et exo copy - Dec 03 2021

web 4 petit livre de recettes sino vietnamiennes et exo 2023 05 24 l Économiste français jane grigson s fruit book bibliographie de l empire français ou journal général de l imprimerie et de la librairie parlons affaires initiation au français economique et commercial editions publibook jane grigson s fruit booku of nebraska press journal

petit livre de recettes de cuisine sino vietnamiennes et exotiques - Sep 24 2023

web petit livre de recettes de cuisine sino vietnamiennes et exotiques by old jack edition in french français

petit livre de recettes sino vietnamiennes et exo pdf ftp - Apr 07 2022

web petit livre de recettes sino vietnamiennes et exo lire la société à table livres de france small plates and sweet treats les

livres de l'année biblio le monde économique 4 petit livre de recettes sino vietnamiennes et exo 2021 05 22 religious and craft heritage of the upper delta this book the fruit of several years

free petit livre de recettes sino vietnamiennes et exo - Mar 18 2023

web petit livre de recettes sino vietnamiennes et exo simplissime le livre de cuisine le plus facile du monde nov 18 2021 une nouvelle bible de non recettes simplissimes proposees par un auteur de renom qui joue sur les alliances de saveurs comment d'une addition d'ingrédients bien choisis on fait une bonne cuisine archi simple

petit livre de recettes sino vietnamiennes et exo milton e - Jun 21 2023

web petit livre de recettes sino vietnamiennes et exo livre de recettes sino vietnamiennes et exo as one of the most in action sellers here will definitely be in the middle of the best options to review ru kim thúy 2012 ru in vietnamese it means lullaby in french it is a small stream but also signifie a flow of tears blood money

petit livre de recettes sino vietnamiennes et exo pdf - Jun 09 2022

web may 13 2023 getting the books petit livre de recettes sino vietnamiennes et exo pdf now is not type of challenging means you could not solitary going in imitation of ebook stock or library or borrowing from your links to door them this is an unquestionably easy means to specifically acquire lead by on line this online pronouncement petit livre de

petit livre de recettes sino vietnamiennes et exo pasuk - Nov 14 2022

web petit livre de recettes sino vietnamiennes et exo when people should go to the books stores search creation by shop shelf by shelf it is in point of fact problematic this is why we present the books compilations in this website it will totally ease you to look guide petit livre de recettes sino vietnamiennes et exo as you such as

[petit livre de recettes sino vietnamiennes et exo pdf](#) - Aug 23 2023

web jun 12 2023 petit livre de recettes sino vietnamiennes et exo 1 5 downloaded from uniport.edu.ng on june 12 2023 by guest petit livre de recettes sino vietnamiennes et exo as recognized adventure as well as experience about lesson amusement as with ease as deal can be

introduction to optimum design 2nd edition elsevier - May 12 2023

web may 5 2004 offer details description optimization is a mathematical tool developed in the early 1960 s used to find the most efficient and feasible solutions to an engineering problem it can be used to find ideal shapes and physical configurations ideal structural designs maximum energy efficiency and many other desired goals of engineering

introduction to optimum design jasbir singh arora google books - Jul 02 2022

web jun 2 2004 introduction to optimum design jasbir singh arora elsevier jun 2 2004 technology engineering 728 pages optimization is a mathematical tool developed in the early 1960 s used to find the most efficient and feasible solutions to

review of introduction to optimum design by jasbir arora - Dec 27 2021

web nov 1 2005 pdf on nov 1 2005 jamshid mohammadi published review of introduction to optimum design by jasbir arora find read and cite all the research you need on researchgate article pdf available

introduction to optimum design jasbir s arora google books - Nov 06 2022

web introduction to optimum design mcgraw hill series in mechanical engineering mechanical engineering psychology and the problems of society author jasbir s arora edition illustrated reprint publisher mcgraw hill 1989 original from the university of michigan digitized nov 28 2007 isbn 007002460x 9780070024601 length 625

introduction to optimum design jasbir arora amazon com tr - Sep 04 2022

web and as with another book i ve reviewed here i dislike the structure of problem reuse chapters 2 4 are full of different optimization cases columns trusses bars beams etc but chapters 5 and beyond merely reuse the previous exercises with little material covered in

introduction to optimum design 3rd edition elsevier - Jun 13 2023

web aug 12 2011 introduction to optimum design third edition describes an organized approach to engineering design optimization in a rigorous yet simplified manner it illustrates various concepts and procedures with simple examples and demonstrates their applicability to engineering design problems

introduction to optimum design jasbir singh arora google books - Dec 07 2022

web apr 28 2016 introduction to optimum design jasbir singh arora elsevier science apr 28 2016 technology engineering 968 pages 0 reviews reviews aren t verified but google checks for and removes

[introduction to optimum design arora f wendell miller](#) - Jan 28 2022

web may 12 2016 introduction to optimum design arora f wendell miller distinguished professor emeritus of civil environmental and mechanical engineering university of iowa usa jasbir singh on amazon com free shipping on qualifying offers

introduction to optimum design 4th edition elsevier - Jul 14 2023

web apr 5 2016 description introduction to optimum design fourth edition carries on the tradition of the most widely used textbook in engineering optimization and optimum design courses it is intended for use in a first course on engineering design and optimization at the undergraduate or graduate level in engineering departments of all disciplines with

pdf introduction to design optimization jasbir arora - Jun 01 2022

web introduction to design optimization figure 1 1 the iterative process must be continued until the best system evolves depending on the complexity of the system the process may take a few days or several months the model described in figure 1 1 is a simplified block diagram for system evolution

introduction to optimum design sciencedirect - Aug 15 2023

web introduction to optimum design third edition describes an organized approach to engineering design optimization in a rigorous yet simplified manner it illustrates various concepts and procedures with simple examples and demonstrates their applicability to engineering design problems

introduction to optimum design amazon co uk jasbir arora - Mar 30 2022

web apr 15 2016 arora is an internationally recognized researcher in the field of optimization and his book introduction to optimum design 3rd edition academic press 2012 978 0 12 381375 6 is used worldwide jasbir singh arora is an f wendell miller professor of engineering a professor of civil and environmental engineering and a professor of

introduction to optimum design sciencedirect - Mar 10 2023

web introduction to optimum design book second edition 2004 authors jasbir s arora about the book browse this book by table of contents book description optimization is a mathematical tool developed in the early 1960 s used to find the most efficient and feasible solutions to an engineering problem

introduction to optimum design edition 4 by jasbir singh arora - Aug 03 2022

web introduction to optimum design fourth edition carries on the tradition of the most widely used textbook in engineering optimization and optimum design courses it is intended for use in a first course on engineering design and optimization at the undergraduate or graduate level in engineering departments of all disciplines with a primary

introduction to optimum design jasbir singh arora google books - Feb 09 2023

web apr 5 2016 introduction to optimum design jasbir singh arora academic press apr 5 2016 technology engineering 968 pages introduction to optimum design fourth edition carries on

introduction to optimum design arora jasbir ebook - Feb 26 2022

web apr 5 2016 introduction to optimum design 4th edition kindle edition by jasbir arora author format kindle edition 1 rating see all formats and editions etextbook 33 64 83 19 read with our free app

introduction to optimum design by jasbir s arora open library - Apr 30 2022

web nov 8 2020 introduction to optimum design by jasbir s arora 1989 mcgraw hill edition in english

introduction to optimum design jasbir arora google books - Apr 11 2023

web aug 17 2011 introduction to optimum design is the most widely used textbook in engineering optimization and optimum design courses it is intended for use in a first course on engineering design and

[introduction to optimum design arora jasbir s free download](#) - Oct 05 2022

web english xvi 880 p 25 cm includes bibliographical references and index machine generated contents note introduction to design optimization optimum design problem formulation graphical optimization and basic concepts optimum design concepts optimality conditions more on optimum design concepts optimality conditions

introduction to optimum design edition 4 by jasbir singh arora - Jan 08 2023

web introduction to optimum design fourth edition carries on the tradition of the most widely used textbook in engineering optimization and optimum design courses it is intended for use in a first course on engineering design and optimization at the undergraduate or graduate level in engineering departments of all disciplines with a primary

how to replace the tail light bulbs on a vw passat 2000 to 2005 - Oct 04 2022

web remove the two 10 mm head bolts that hold the stop light this bolts are between the tail light assembly and the tail gate weatherstrip you can see them without having to remove anything by using a masking tape wrapped flat screwdriver pry back the whole tail

2005 volkswagen passat tail light removal youtube - Mar 09 2023

web this guide is for 1998 2005 vw passat and 1999 2005 vw jetta models pull tip other vw models have a similar tail light removal process the more trunk liner you remove the easier it ll be to pull the tail light also take care not to drop the 8mm nuts estimated

remove passat tail light cyberlab sutd edu sg - Apr 29 2022

volkswagen passat tail light bulbs replacement guide 2012 - Jan 07 2023

web aug 29 2021 do you need to replace the tail light bulbs on your vw passat 2000 to 2005 but don t know where to start this video tutorial shows you step by step how to d

tail light removal vw vortex volkswagen forum - Aug 02 2022

web remove passat tail light mechanical engineering bulletin jun 28 2021 automotive news sep 12 2022 lloyd register of shipping 1924 steamers mar 26 2021 the lloyd s register of shipping records the details of merchant vessels over 100 gross tonnes

taillight removal replacement volkswagen passat forum - Nov 05 2022

web jul 27 2002 anyone have any advice on how to remove the tail lights from 2002 passat variant i can see four nuts on the passenger side but can t figure put how to get

vw passat replacing rear tail light youtube - Oct 16 2023

web jul 21 2021 0 00 10 13 intro vw passat replacing rear tail light jaynes network 15 3k subscribers subscribe 24k views 2 years ago i believe this is a 2012 vw volts wagon passat and the rear

how to remove rear tail light from passat b6 all models - Sep 15 2023

web feb 4 2022 in this episode i will show you how to remove the taillight from the back of the car vw passat b6

2013 volkswagen passat how to replace rear tail light for - Jun 12 2023

web 1 getting started prepare for the tail light change learn more 2 remove tail light bulb steps to remove a burnt out bulb 3 helpful hints how to find tail light replacement bulb type and other hints what would you like your bulbs to do see clearer upgrade to

tail light replacement on 2015 volkswagen passat sel - Apr 10 2023

web how to change a burnt out brake rear turn signal reverse or parking light bulbs in the tail light assemblies of a 2012 2013 2014 or 2015 vw passat with photo illustrated steps and the compatible replacement part numbers

2013 vw passat tail light removal youtube - Feb 08 2023

web aug 19 2004 on teh variant the drivers side requires removing part of the drivers side trim to get access to the 4th bolt but otherwise it s the same procedure if you d like to switch to european tails i m running a gb in the group buy section and can also get

tail light replacement on 2013 volkswagen passat se 2 5l - Mar 29 2022

volkswagen passat 2005 2015 how to replace rear tai - Jul 13 2023

web jan 23 2015 quickly discover how simple fast and easy it is to replace the tail light on a 2013 volkswagen passat this method should work for all vw passat model b7 for years 2010 2015

how to remove a volkswagen tail light various models pull a - Dec 06 2022

web jan 14 2014 open rear lid unclip cover in direction of arrow starting at edge of tail light remove 14 mm securing nut of tail light note the tail light in side panel is clipped to the body on the inner side by two spring loaded locking lugs to unclip the locking lugs

2010 b6 passat estate tail light removal uk volkswagen forum - Sep 03 2022

web may 4 2023 i m trying to replace the inner tail light bulb on the boot of my b8 passat estate is it just a case of removing the 2 screws under the plastic cap in the boot lid i believe i have the correct bulb which i ve been told is the 501 but i just can t seem to

solved how do i remove a tail light on a 2008 passat fixya - Jul 01 2022

web video description this video demonstrates how to change a burnt out taillight bulb on your 2013 volkswagen passat tail lights are also called rear position lights or running lights some of the other bulbs in the tail light cluster such as the brake light or turn signal

how to remove a vw tail light salvage yard tips - May 11 2023

web may 12 2020 i am changing out my tail light bulb that burnt out on my 2013 vw passat

2015 volkswagen passat tail light replacement youtube - Aug 14 2023

web nov 14 2016 78k views 6 years ago 2015 volkswagen passat tail light replacement easy to do once you see how watch
the other videos about oil change air filter transmission fluid filter
diesel vw passat b8 inner taillight replacement motor vehicle - May 31 2022