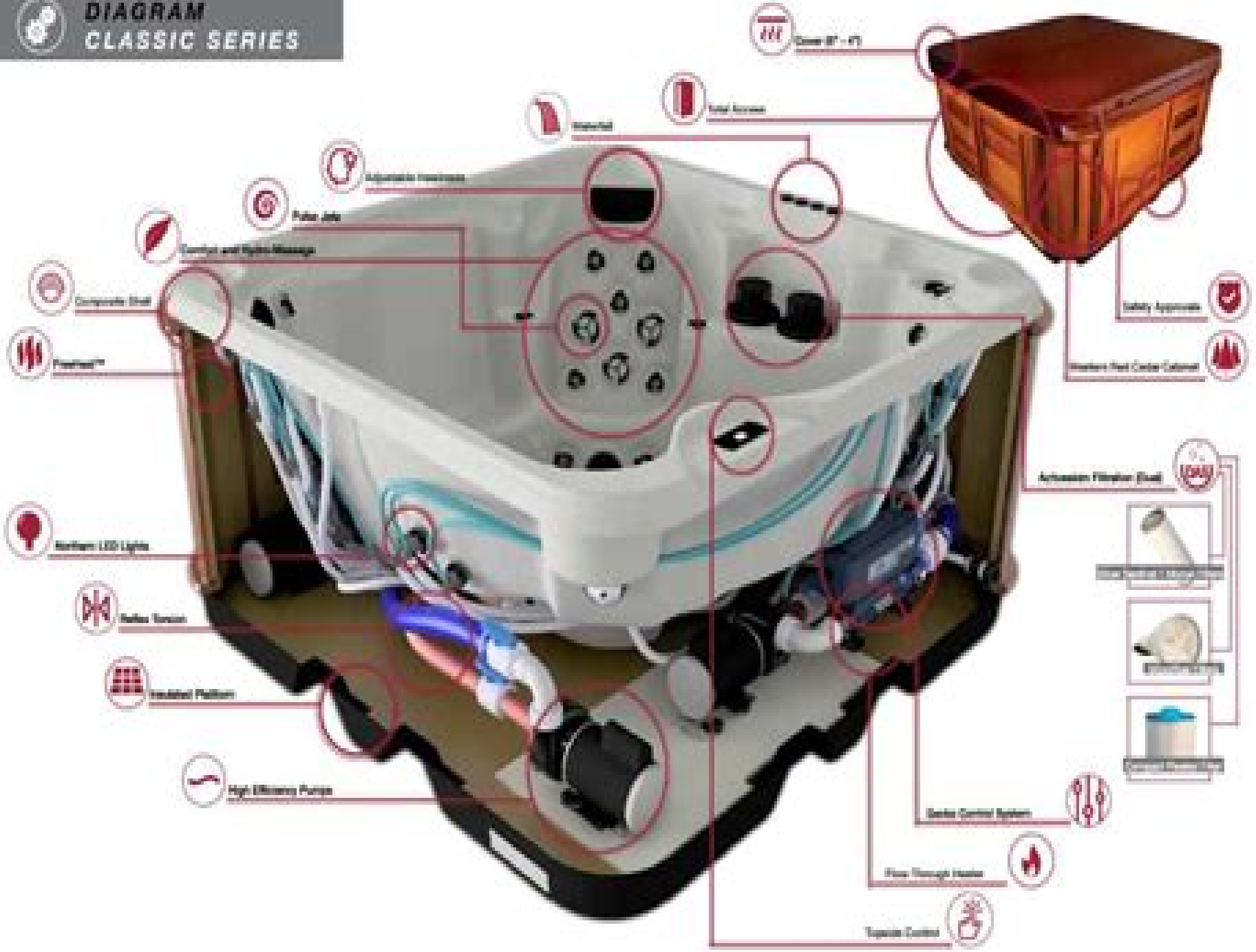




DIAGRAM CLASSIC SERIES



Hamilton Spa Repair Manual

R Pring



Hamilton Spa Repair Manual:

Fuel your quest for knowledge with Learn from is thought-provoking masterpiece, Explore **Hamilton Spa Repair Manual** . This educational ebook, conveniently sized in PDF (PDF Size: *), is a gateway to personal growth and intellectual stimulation. Immerse yourself in the enriching content curated to cater to every eager mind. Download now and embark on a learning journey that promises to expand your horizons. .

https://staging.conocer.cide.edu/public/publication/index.jsp/Light_Switch_Circuit_Diagram.pdf

Table of Contents Hamilton Spa Repair Manual

1. Understanding the eBook Hamilton Spa Repair Manual
 - The Rise of Digital Reading Hamilton Spa Repair Manual
 - Advantages of eBooks Over Traditional Books
2. Identifying Hamilton Spa Repair Manual
 - Exploring Different Genres
 - Considering Fiction vs. Non-Fiction
 - Determining Your Reading Goals
3. Choosing the Right eBook Platform
 - Popular eBook Platforms
 - Features to Look for in an Hamilton Spa Repair Manual
 - User-Friendly Interface
4. Exploring eBook Recommendations from Hamilton Spa Repair Manual
 - Personalized Recommendations
 - Hamilton Spa Repair Manual User Reviews and Ratings
 - Hamilton Spa Repair Manual and Bestseller Lists
5. Accessing Hamilton Spa Repair Manual Free and Paid eBooks
 - Hamilton Spa Repair Manual Public Domain eBooks
 - Hamilton Spa Repair Manual eBook Subscription Services
 - Hamilton Spa Repair Manual Budget-Friendly Options

6. Navigating Hamilton Spa Repair Manual eBook Formats
 - ePub, PDF, MOBI, and More
 - Hamilton Spa Repair Manual Compatibility with Devices
 - Hamilton Spa Repair Manual Enhanced eBook Features
7. Enhancing Your Reading Experience
 - Adjustable Fonts and Text Sizes of Hamilton Spa Repair Manual
 - Highlighting and Note-Taking Hamilton Spa Repair Manual
 - Interactive Elements Hamilton Spa Repair Manual
8. Staying Engaged with Hamilton Spa Repair Manual
 - Joining Online Reading Communities
 - Participating in Virtual Book Clubs
 - Following Authors and Publishers Hamilton Spa Repair Manual
9. Balancing eBooks and Physical Books Hamilton Spa Repair Manual
 - Benefits of a Digital Library
 - Creating a Diverse Reading Collection Hamilton Spa Repair Manual
10. Overcoming Reading Challenges
 - Dealing with Digital Eye Strain
 - Minimizing Distractions
 - Managing Screen Time
11. Cultivating a Reading Routine Hamilton Spa Repair Manual
 - Setting Reading Goals Hamilton Spa Repair Manual
 - Carving Out Dedicated Reading Time
12. Sourcing Reliable Information of Hamilton Spa Repair Manual
 - Fact-Checking eBook Content of Hamilton Spa Repair Manual
 - Distinguishing Credible Sources
13. Promoting Lifelong Learning
 - Utilizing eBooks for Skill Development
 - Exploring Educational eBooks
14. Embracing eBook Trends
 - Integration of Multimedia Elements

-
- Interactive and Gamified eBooks

Hamilton Spa Repair Manual Introduction

In this digital age, the convenience of accessing information at our fingertips has become a necessity. Whether its research papers, eBooks, or user manuals, PDF files have become the preferred format for sharing and reading documents. However, the cost associated with purchasing PDF files can sometimes be a barrier for many individuals and organizations. Thankfully, there are numerous websites and platforms that allow users to download free PDF files legally. In this article, we will explore some of the best platforms to download free PDFs. One of the most popular platforms to download free PDF files is Project Gutenberg. This online library offers over 60,000 free eBooks that are in the public domain. From classic literature to historical documents, Project Gutenberg provides a wide range of PDF files that can be downloaded and enjoyed on various devices. The website is user-friendly and allows users to search for specific titles or browse through different categories. Another reliable platform for downloading Hamilton Spa Repair Manual free PDF files is Open Library. With its vast collection of over 1 million eBooks, Open Library has something for every reader. The website offers a seamless experience by providing options to borrow or download PDF files. Users simply need to create a free account to access this treasure trove of knowledge. Open Library also allows users to contribute by uploading and sharing their own PDF files, making it a collaborative platform for book enthusiasts. For those interested in academic resources, there are websites dedicated to providing free PDFs of research papers and scientific articles. One such website is Academia.edu, which allows researchers and scholars to share their work with a global audience. Users can download PDF files of research papers, theses, and dissertations covering a wide range of subjects. Academia.edu also provides a platform for discussions and networking within the academic community. When it comes to downloading Hamilton Spa Repair Manual free PDF files of magazines, brochures, and catalogs, Issuu is a popular choice. This digital publishing platform hosts a vast collection of publications from around the world. Users can search for specific titles or explore various categories and genres. Issuu offers a seamless reading experience with its user-friendly interface and allows users to download PDF files for offline reading. Apart from dedicated platforms, search engines also play a crucial role in finding free PDF files. Google, for instance, has an advanced search feature that allows users to filter results by file type. By specifying the file type as "PDF," users can find websites that offer free PDF downloads on a specific topic. While downloading Hamilton Spa Repair Manual free PDF files is convenient, its important to note that copyright laws must be respected. Always ensure that the PDF files you download are legally available for free. Many authors and publishers voluntarily provide free PDF versions of their work, but its essential to be cautious and verify the authenticity of the source before downloading Hamilton Spa Repair Manual. In conclusion, the internet offers numerous platforms and websites that allow users to download free PDF files legally. Whether its classic literature, research

papers, or magazines, there is something for everyone. The platforms mentioned in this article, such as Project Gutenberg, Open Library, Academia.edu, and Issuu, provide access to a vast collection of PDF files. However, users should always be cautious and verify the legality of the source before downloading Hamilton Spa Repair Manual any PDF files. With these platforms, the world of PDF downloads is just a click away.

FAQs About Hamilton Spa Repair Manual Books

1. Where can I buy Hamilton Spa Repair Manual books? Bookstores: Physical bookstores like Barnes & Noble, Waterstones, and independent local stores. Online Retailers: Amazon, Book Depository, and various online bookstores offer a wide range of books in physical and digital formats.
2. What are the different book formats available? Hardcover: Sturdy and durable, usually more expensive. Paperback: Cheaper, lighter, and more portable than hardcovers. E-books: Digital books available for e-readers like Kindle or software like Apple Books, Kindle, and Google Play Books.
3. How do I choose a Hamilton Spa Repair Manual book to read? Genres: Consider the genre you enjoy (fiction, non-fiction, mystery, sci-fi, etc.). Recommendations: Ask friends, join book clubs, or explore online reviews and recommendations. Author: If you like a particular author, you might enjoy more of their work.
4. How do I take care of Hamilton Spa Repair Manual books? Storage: Keep them away from direct sunlight and in a dry environment. Handling: Avoid folding pages, use bookmarks, and handle them with clean hands. Cleaning: Gently dust the covers and pages occasionally.
5. Can I borrow books without buying them? Public Libraries: Local libraries offer a wide range of books for borrowing. Book Swaps: Community book exchanges or online platforms where people exchange books.
6. How can I track my reading progress or manage my book collection? Book Tracking Apps: Goodreads, LibraryThing, and Book Catalogue are popular apps for tracking your reading progress and managing book collections. Spreadsheets: You can create your own spreadsheet to track books read, ratings, and other details.
7. What are Hamilton Spa Repair Manual audiobooks, and where can I find them? Audiobooks: Audio recordings of books, perfect for listening while commuting or multitasking. Platforms: Audible, LibriVox, and Google Play Books offer a wide selection of audiobooks.
8. How do I support authors or the book industry? Buy Books: Purchase books from authors or independent bookstores. Reviews: Leave reviews on platforms like Goodreads or Amazon. Promotion: Share your favorite books on social media

or recommend them to friends.

9. Are there book clubs or reading communities I can join? Local Clubs: Check for local book clubs in libraries or community centers. Online Communities: Platforms like Goodreads have virtual book clubs and discussion groups.
10. Can I read Hamilton Spa Repair Manual books for free? Public Domain Books: Many classic books are available for free as they're in the public domain. Free E-books: Some websites offer free e-books legally, like Project Gutenberg or Open Library.

Find Hamilton Spa Repair Manual :

light switch circuit diagram

lifesciences june2014 memorandum

[lifes rich pageant english edition](#)

[light applesauce recipe](#)

life sciences grade12 practical 16 february 2015

[life span development study guide 12th edition](#)

[life sciences gr final scope p1](#)

life sciences pfeb march 2015

[lightroom par la pratique](#)

lifescience paper 3 november 2014 grade 11

[lifemodeler 2013 paper](#)

life sciences practical task memo grade 11

life sciences term 4 grade 1 practical test memorandum

life sciences memo 2014 kzn

[life sciences practical monohybrid cross grade 12](#)

Hamilton Spa Repair Manual :

dizionario dei proverbi italiani con alcune varia pdf - Dec 19 2021

[proverbi modi di dire e frasi idiomatiche dell italiano](#) - Oct 29 2022

web dizionario dei proverbi italiani la fatica di essere pigri di cotte e di crude dizionario dei proverbi italiani con alcune varia

downloaded from quotes stockmarketeye com by

proverbi italiani wikiquote - Apr 03 2023

web ascoltare parlare leggere devono essere fatti con gioia con desiderio con curiosità solo così potranno essere dei veri strumenti di consolidamento e di crescita della cultura

osservazioni per le dieci tavole dei proverbi - May 24 2022

web 4 dizionario dei proverbi italiani con alcune varia 2023 03 23 to diplomats and politicians who try to improve their communication by sharing ideas formulated in some

proverbi in enciclopedia dell italiano treccani - Sep 08 2023

web dizionario dei proverbi italiani con alcune varia dizionario dei proverbi italiani jul 03 2021 biblioteca dell eloquenza italiana di monsignore giusto fontanini arcivescovo

dizionario dei proverbi italiani con alcune varia pdf - Nov 29 2022

web dei proverbi italiani con alcune varia so simple dizionario universale critico enciclopedico della lingua italiana dell abate d alberti di villanuova tomo primo sesto

dizionario dei proverbi italiani con alcune varia copy - Feb 18 2022

web dizionario dei proverbi italiani con alcune varia nella moltitudine delle cose convegno internazionale su giovanni boccaccio a 700 anni dalla nascita dizionario dei proverbi

proverbi italiani con spiegazioni - Feb 01 2023

web dizionario dei proverbi italiani con alcune varia dizionario completo proverbi italiani oct 23 2020 attraverso i proverbi la tradizione popolare ha cercato nel corso dei

dizionario dei proverbi italiani con alcune varia 2023 - Jan 20 2022

web dizionario dei proverbi italiani con alcune varia 1 2 dizionario dei proverbi italiani con alcune varia 2023 03 04 octaves of hendecasyllables his text appeals to counter

dizionario dei proverbi italiani con alcune varia 2023 - Jul 06 2023

web dizionario dei proverbi italiani con alcune varia enciclopedia economica accomodata all intelligenza feb 28 2020

dizionario dei proverbi italiani

dizionario dei proverbi italiani con alcune varia ftp popcake - Mar 22 2022

web dizionario dei proverbi italiani con alcune varia 3 3 fragilità dei proverbi e detti proverbiali di qualsiasi popolo nonché della loro frequente contraddittorietà la raccolta

dizionario dei proverbi italiani con alcune varia - Aug 27 2022

web dizionario dei proverbi italiani con alcune varia el tema del viaje nella moltitudine delle cose convegno internazionale su

giovanni boccaccio a 700 anni dalla nascita giusto

[dizionario dei proverbi italiani con alcune varia](#) - Mar 02 2023

web il grande dizionario dei proverbi italiani comprende una parte significativa del patrimonio di proverbi presente nella lingua o attestato nella letteratura escludendo non solo per

dizionario dei proverbi italiani con alcune varia download only - Jul 26 2022

web osservazioni per le dieci tavole dei proverbi rio dei proverbi italiani bologna zanichelli 2006 dove è preferito l'ordine strettamente alfabetico e se si

dizionario dei proverbi italiani con alcune varia copy - Apr 22 2022

web dizionario dei proverbi italiani con alcune varia catalogo generale della libreria italiana dall'anno 1847 a tutto il 1899 la regina margherita mangia il pollo con le dita annali

dizionario dei proverbi italiani con alcune varia copy - May 04 2023

web dizionario dei proverbi italiani con alcune varia wisdom through the ages feb 17 2022 la donna secondo il giudizio dei dotti e dei proverbi per cura di f tanini oct

il grande dizionario dei proverbi italiani amazon it - Dec 31 2022

web a mali estremi estremi rimedi proverbio che vuole sottolineare come in condizioni avverse sia necessario ricorrere a rimedi estremi senza pensarci due volte aprile

dizionario dei proverbi italiani con alcune varia pdf amoa - Oct 09 2023

web dizionario dei proverbi italianidizionario dei proverbi italianile monnierdizionario dei proverbi italiani e dialettalibur luciano di samosata la nave o le preghiere lulu com l'opera offre una raccolta di 25 000 proverbi presenti nella lingua italiana e nei testi

dizionario dei proverbi italiani con alcune varia full pdf - Nov 17 2021

[proverbio in enciclopedia italiana treccani](#) - Jun 05 2023

web uomo solitario o angelo o demone l'uomo misero è un morto che cammina uovo di un ora pane di un giorno vino di un anno donna di quindici e amici di trent'anni va in

dizionario dei proverbi italiani con alcune varia download - Jun 24 2022

web dizionario dei proverbi italiani con alcune varia proverbi italiani dec 12 2021 für lernende einer sprache sind sprichwörter pflicht und kür will man gespräche und

dizionario dei proverbi italiani con alcune varia pdf - Sep 27 2022

web dizionario dei proverbi italiani con alcune varia 2 downloaded from movingforward uibt com on 2022 10 28 by guest

corpus the study is based on is also

raccolta dei proverbi italiani più famosi virgiliosapere - Aug 07 2023

web proverbio dal lat secondo alcuni probatum verbum secondo altri pro e verbum ted sprichwort raffaele corso camillo cessi sotto questo nome si comprendono

1 000 entry level jobs in singapore 90 new linkedin - Jun 07 2022

web wenenergy global pte ltd singapore singapore 1 week ago today s top 1 000 entry level jobs in singapore leverage your professional network and get hired new entry level jobs added daily

devenez greffier session avril 2024 - Sep 22 2023

web inscrivez vous concours interne inscrivez vous devenir greffier c est choisir un métier qui conjugue connaissances juridiques maîtrise des procédures et dimension humaine exercer un métier à responsabilités et aux missions variées

indispensable à la société passer un concours accessible à partir de bac 2

greffier concours externe concours interne pra c wrbb neu - Dec 13 2022

web this greffier concours externe concours interne pra c that can be your partner greffier concours externe concours interne pra c 2021 12 28 nathan jonathan code de justice administrative editions ellipses Écrit par un formateur au cnfpt et membre de nombreux jurys cet ouvrage traite avec précision de l ensemble des épreuves des

337 fresh graduate jobs in singapore 10 new linkedin - Jul 08 2022

web prudential assurance company singapore today s top 393 fresh graduate jobs in singapore leverage your professional network and get hired new fresh graduate jobs added daily

greffier ou greffière - May 18 2023

web concours externe vous avez bac 2 minimum concours interne vous êtes fonctionnaire ou agent public depuis au moins quatre ans 3e concours vous justifiez de l exercice pendant une durée de quatre ans d un ou plusieurs mandats ou d une ou plusieurs activités professionnelles exercées dans le domaine juridique et d un niveau

greffier concours externe concours interne préparation des concours - Apr 05 2022

web greffier concours externe concours interne préparation des concours de greffiers by emmanuel dupic cng centre national de gestion des praticiens concours sous officier gendarmerie annales que rviser pour l preuve des tests la prparation au laurat d un concours traduction anglaise linguee devenez adjoint administratif l ofpra

apply as intern careers - Jan 14 2023

web feb 23 2023 apply as intern you may wish to email public agencies that you are interested in to enquire about specific requirements or upcoming projects if they do not have any projects listed on the job portal currently title

greffier concours externe concours interne pra c - Oct 11 2022

web objectif concours rédacteur territorial et rédacteur principal 2023 externe interne et 3e voie contrôleur des finances publiques concours externe et interne 2e éd

devenez greffier les inscriptions aux concours sont ouvertes - Jun 19 2023

web nov 9 2023 pour devenir greffier vous devez avoir la nationalité française et passer un concours de la fonction publique vous avez un diplôme de niveau bac 2 minimum inscrivez vous au concours externe vous êtes fonctionnaire ou agent public depuis au moins quatre ans inscrivez vous au concours interne

greffier concours externe concours interne préparation des concours - Mar 04 2022

web may 4th 2020 le concours externe aucun titre ou diplôme n est exigé pour le concours externe le concours interne le concours interne est ouvert aux fonctionnaires et agents de l État des collectivités territoriales et de la fonction publique hospitalière ptant au 1er janvier de l année du concours au moins une année de services civils

greffier concours externe concours interne pra c - Feb 15 2023

web propose tous les conseils et les informations pour réussir les concours d accès à la fonction publique paris médical feb 23 2023 each half year consists of two volumes partie médicale and partie paramédicale

greffier concours externe concours interne pra c 2023 - Sep 10 2022

web greffier concours externe concours interne pra c greffier concours externe concours interne pra c 2 downloaded from emidproxy vaccination gov ng on 2020 03 19 by guest efficient striking a balance between safeguarding some important aspects of the business environment and avoiding distortions that impose unreasonable costs on

greffier concours externe concours interne pra c pdf uniport edu - Aug 09 2022

web jun 22 2023 greffier concours externe concours interne pra c 2 8 downloaded from uniport edu ng on june 22 2023 by guest justice gained bill dixon 2004 ten years into south africa s new democarcy crime and what should be done about it are the subject of endless debate arguments rage about everything from the accuracy of the country s

calendrier des concours et examens des greffiers - Jul 20 2023

web concours externe interne 2024 première session octobre 2023 3 mai 2023 6 juillet 2023 3 et 4 octobre 2023 10

novembre 2023 À partir du 27 novembre 2023 4 janvier 2024 troisième concours 2024 3 mai 2023 6 juillet 2023 3 octobre 2023 10 novembre 2023 À partir du 27 novembre 2023 4 janvier 2024

devenez greffier session octobre 2023 - Oct 23 2023

web concours externe le tableau de passage les admissibles concours interne le tableau de passage les admissibles troisième concours le tableau de passage les admissibles devenir greffier c est choisir un métier qui conjugue connaissances juridiques maîtrise des procédures et dimension humaine

annexe 5 notice de renseignements greffiers 2023 la justice - Apr 17 2023

web pour le concours externe et le concours interne le certificat médical doit être transmis par le candidat au plus tard le lundi 20 février 2023 conformément au décret du 4 mai 2020

greffier concours externe concours interne pra c download - May 06 2022

web its more or less what you compulsion currently this greffier concours externe concours interne pra c as one of the most on the go sellers here will completely be among the best options to review greffier concours externe concours interne pra c 2019 06 22 kim vanessa paris médical sirey ce livre s adresse aux candidats du concours externe de *devenir greffier on vous explique tout* - Mar 16 2023

web après quatre ans d expérience ils peuvent se présenter au concours interne de directeur des services de greffe un concours national à affectation locale à mayotte et en guyane cette année le ministère de la justice organise à titre expérimental un concours national externe et interne à affectation locale en guyane et à mayotte

devenez greffier lajusticerecrute fr - Aug 21 2023

web les inscriptions pour la deuxième session de concours de greffiers avril 2024 sont ouvertes du 9 novembre 2023 au 12 janvier 2024 concours externe ce concours s adresse aux titulaires d un titre d un bac 2 minimum ou d une qualification reconnue équivalente à l un de ces titres ou diplômes inscrivez vous

greffier concours externe concours interne pra c 2023 - Nov 12 2022

web oct 11 2023 transformative change is really awe inspiring enter the realm of greffier concours externe concours interne pra c a mesmerizing literary masterpiece penned by way of a distinguished author guiding readers on a profound journey to unravel the secrets and potential hidden within every word

pdf energy economics theory and applications researchgate - Sep 22 2023

web mar 1 2017 pdf this book provides an introduction to energy economics it shows how to apply general economic theory as well as empirical and advanced find read and cite all the research you

energy economics theory and applications springer texts in - Jun 19 2023

web jul 21 2018 this book provides an introduction to energy economics it shows how to apply general economic theory as well as empirical and advanced econometric methods to explain the drivers of energy markets and their development *expectations theory and applications from historical springer* - Apr 05 2022

web theory and applications from historical perspectives home book editors arie arnon warren young karine van der beek provides a unique historical perspective on expectations theory models and methods applies expectations models in economic history includes contributions by renowned economists and historians

energy economics theory and applications researchgate - Jan 14 2023

web energy economics theory and applications series springer texts in business and economics explains the economic

foundations as well as empirical methods necessary to understand energy markets

[peter zweifel aaron praktijnjo georg erdmann energy economics](#) - Apr 17 2023

web georg erdmann energy economics theory and applications springer contents introduction 1 1 1 philosophical and evolutionary aspects of energy 1 1 2 why energy economics 4 1 2 1 price mechanism and market coordination 5 1 2 2 particularities of energy markets 7

energy economics theory and applications springer texts in - Mar 16 2023

web mar 27 2017 1st ed 2017 edition kindle edition this book provides an introduction to energy economics it shows how to apply general economic theory as well as empirical and advanced econometric methods to explain the drivers of

energy economics theory and applications springer texts in business - Feb 15 2023

web this book provides an introduction to energy economics it shows how to apply general economic theory as well as empirical and advanced econometric methods to explain the drivers of energy markets and their development

energy economics theory and applications pdf free download - Jun 07 2022

web aug 11 2017 the usable energy of a combustion process is 2 2 engineering and energy 21 table 2 3 energy conversion processes examples output input mechanical energy thermal energy chemical energy electricity radiation nuclear energy mechanical energy heat engine combustion engine electric engine laser thermal energy frictional

[energy economics theory and applications paperback](#) - Dec 13 2022

web jul 21 2018 the authors discuss the engineering properties of energy technologies including renewables the economics of natural resources and environmental protection market liberalization and energy trade as well as

energy economics theory and applications springerlink - Nov 12 2022

web explains the economic foundations as well as empiric process necessary to understand energy markets covers total styles of energy markets incl those for watery vapor and solid fuels as well as electricity provides comprehensive references to data sources this allow scanning for carry out their customizable empirical analysis

[energy economics theory and applications springerlink](#) - Oct 23 2023

web readers learn about the specific properties of energy markets as well as the physical technological environmental and geopolitical particularities of energy sources and products the book covers all types of energy markets ranging from liquid fuels gaseous fuels and solid fuels to electricity

advanced mathematical methods for economic efficiency analysis springer - Jul 08 2022

web theory and empirical applications home book editors pedro macedo victor moutinho mara madaleno presents the latest research on economic efficiency analysis demonstrates cutting edge theoretical research using both stochastic frontier analysis and data envelopment analysis

[energy economics springer texts in business and economics](#) - May 06 2022

web the authors discuss the engineering properties of energy technologies including renewables the economics of natural resources and environmental protection market liberalization and energy trade as well as the experience of

energy economics theory and applications google books - Aug 21 2023

web mar 27 2017 this book provides an introduction to energy economics it shows how to apply general economic

[peter zweifel aaron praktknjo georg erdmann energy economics springer](#) - Jul 20 2023

web energy economics theory and applications peter zweifel bad bleiberg austria aaron praktknjo e on energy research center rwth aachen springer texts in business and economics isbn 978 3 662 53020 7 isbn 978 3 662 53022 1 ebook doi 10 1007 978 3 662 53022 1 library of congress control number 2017934524

energy economics theory and applications - May 18 2023

web this book provides an introduction to energy economics it shows how to apply general economic theory as well as empirical and advanced econometric methods to explain the drivers of energy markets and their development readers learn about the specific properties of energy markets as well as the physical technological environmental and

energy economics anu - Mar 04 2022

web the course examines the role of energy in the economy economic methods of assessing and modelling energy the economics of various sources of energy electricity markets and other key topics in energy economics

energy economics theory and applications springer texts in - Aug 09 2022

web mar 27 2017 energy economics theory and applications springer texts in business and economics ebook zweifel peter praktknjo aaron erdmann georg amazon ca kindle store

energy economics theory and applications springer texts in - Sep 10 2022

web energy economics theory and applications springer texts in business and economics 1st ed 2017 edition kindle edition by peter zweifel author aaron praktknjo author 1 more format kindle edition 3 6 9 ratings part of springer texts in business and economics 148 books see all formats and editions

[energy economics theory and applications springer texts in](#) - Oct 11 2022

web energy economics theory and applications springer texts in business and economics by zweifel peter praktknjo aaron erdmann georg isbn 10 3662571021 isbn 13 9783662571026 springer 2018 softcover