

Electric Heater, Thermostat, and Fluid Heat Tests

Any one of several types of heaters and thermostats may be fitted to DAVCO fuel/water separators. They include 12 VDC heaters, 120 VAC heaters, combination heater thermostats, and fluid heaters. The voltage and wattage ratings are stamped on the hex or the sheath of each component.

Test procedures under these headings apply to the following heater types, as specified:

- Electric Heater
- 12 VDC Thermostat
- Combination Heater Thermostat
- Fluid Heat

The following equipment is recommended to test DAVCO heaters and thermostats:

- A precision low-resistance ohmmeter capable of measuring 0.1 ohm or less
- A clamp-on DC current-flow meter
- A means of chilling a thermostat, such as ice, dry ice, or compressed carbon dioxide
- A flameless source of heat, such as an infrared heat lamp
- A vortex tube to heat and cool a thermostat

Electric Heater Test

1. Shut down the engine, apply the parking brake, and chock the tires.
2. Disconnect the heater from the wiring harness, see Fig. 1.
3. Connect the ohmmeter leads to the pins of the heater (for heaters with one pin, connect to the pin and the bushing).
4. Read the resistance and use Table 1 to determine whether the heater is within the acceptable resistance range.
5. Connect the heater wiring harness.

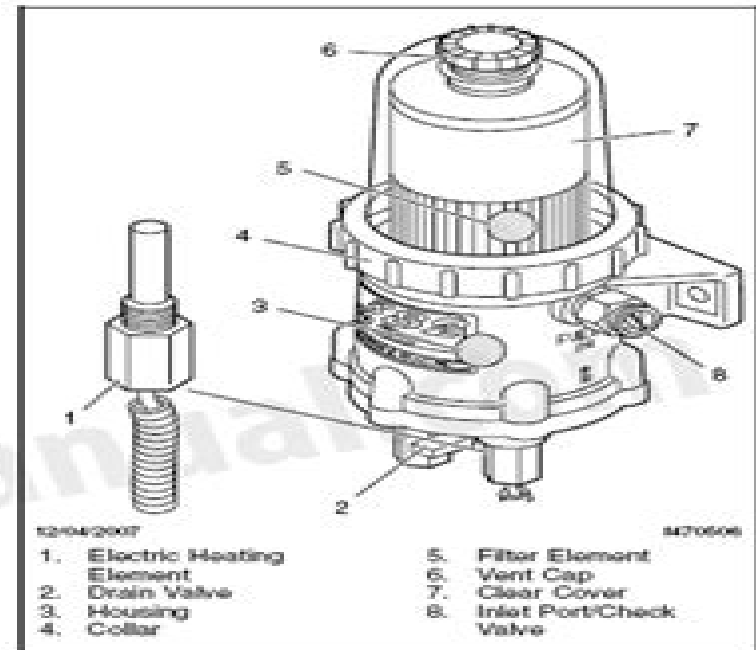


Fig. 1, Fuel Pro 382 With Electric Heating Element

Electric Heater Test Parameters		
Electric Heater	Watts	Resistance Range: Ohms
12 VDC (two pin)	250	0.6-0.8
12 VDC (single pin)	250	0.4-0.5
12 VDC (single pin)	150	0.8-1.1
120 VAC	75	173-203
120 VAC	37	369-411

Table 1, Electric Heater Test Parameters

12 VDC Thermostat Test

1. Shut down the engine, apply the parking brake, and chock the tires.

Freightliner Mt45 Repair Manual

Joacim Rocklöv



Freightliner Mt45 Repair Manual:

Freightliner Mt45 Repair Manual Book Review: Unveiling the Magic of Language

In an electronic digital era where connections and knowledge reign supreme, the enchanting power of language has become more apparent than ever. Its ability to stir emotions, provoke thought, and instigate transformation is actually remarkable. This extraordinary book, aptly titled "**Freightliner Mt45 Repair Manual**," compiled by a highly acclaimed author, immerses readers in a captivating exploration of the significance of language and its profound effect on our existence. Throughout this critique, we will delve to the book's central themes, evaluate its unique writing style, and assess its overall influence on its readership.

<https://staging.conocer.cide.edu/public/scholarship/default.aspx/Interpersonal%20Communication%20By%20Kory%20Floyd%202020Edition.pdf>

Table of Contents Freightliner Mt45 Repair Manual

1. Understanding the eBook Freightliner Mt45 Repair Manual
 - The Rise of Digital Reading Freightliner Mt45 Repair Manual
 - Advantages of eBooks Over Traditional Books
2. Identifying Freightliner Mt45 Repair Manual
 - Exploring Different Genres
 - Considering Fiction vs. Non-Fiction
 - Determining Your Reading Goals
3. Choosing the Right eBook Platform
 - Popular eBook Platforms
 - Features to Look for in an Freightliner Mt45 Repair Manual
 - User-Friendly Interface
4. Exploring eBook Recommendations from Freightliner Mt45 Repair Manual
 - Personalized Recommendations
 - Freightliner Mt45 Repair Manual User Reviews and Ratings

- Freightliner Mt45 Repair Manual and Bestseller Lists
- 5. Accessing Freightliner Mt45 Repair Manual Free and Paid eBooks
 - Freightliner Mt45 Repair Manual Public Domain eBooks
 - Freightliner Mt45 Repair Manual eBook Subscription Services
 - Freightliner Mt45 Repair Manual Budget-Friendly Options
- 6. Navigating Freightliner Mt45 Repair Manual eBook Formats
 - ePub, PDF, MOBI, and More
 - Freightliner Mt45 Repair Manual Compatibility with Devices
 - Freightliner Mt45 Repair Manual Enhanced eBook Features
- 7. Enhancing Your Reading Experience
 - Adjustable Fonts and Text Sizes of Freightliner Mt45 Repair Manual
 - Highlighting and Note-Taking Freightliner Mt45 Repair Manual
 - Interactive Elements Freightliner Mt45 Repair Manual
- 8. Staying Engaged with Freightliner Mt45 Repair Manual
 - Joining Online Reading Communities
 - Participating in Virtual Book Clubs
 - Following Authors and Publishers Freightliner Mt45 Repair Manual
- 9. Balancing eBooks and Physical Books Freightliner Mt45 Repair Manual
 - Benefits of a Digital Library
 - Creating a Diverse Reading Collection Freightliner Mt45 Repair Manual
- 10. Overcoming Reading Challenges
 - Dealing with Digital Eye Strain
 - Minimizing Distractions
 - Managing Screen Time
- 11. Cultivating a Reading Routine Freightliner Mt45 Repair Manual
 - Setting Reading Goals Freightliner Mt45 Repair Manual
 - Carving Out Dedicated Reading Time
- 12. Sourcing Reliable Information of Freightliner Mt45 Repair Manual
 - Fact-Checking eBook Content of Freightliner Mt45 Repair Manual
 - Distinguishing Credible Sources

13. Promoting Lifelong Learning
 - Utilizing eBooks for Skill Development
 - Exploring Educational eBooks
14. Embracing eBook Trends
 - Integration of Multimedia Elements
 - Interactive and Gamified eBooks

Freightliner Mt45 Repair Manual Introduction

In the digital age, access to information has become easier than ever before. The ability to download Freightliner Mt45 Repair Manual has revolutionized the way we consume written content. Whether you are a student looking for course material, an avid reader searching for your next favorite book, or a professional seeking research papers, the option to download Freightliner Mt45 Repair Manual has opened up a world of possibilities. Downloading Freightliner Mt45 Repair Manual provides numerous advantages over physical copies of books and documents. Firstly, it is incredibly convenient. Gone are the days of carrying around heavy textbooks or bulky folders filled with papers. With the click of a button, you can gain immediate access to valuable resources on any device. This convenience allows for efficient studying, researching, and reading on the go. Moreover, the cost-effective nature of downloading Freightliner Mt45 Repair Manual has democratized knowledge. Traditional books and academic journals can be expensive, making it difficult for individuals with limited financial resources to access information. By offering free PDF downloads, publishers and authors are enabling a wider audience to benefit from their work. This inclusivity promotes equal opportunities for learning and personal growth. There are numerous websites and platforms where individuals can download Freightliner Mt45 Repair Manual. These websites range from academic databases offering research papers and journals to online libraries with an expansive collection of books from various genres. Many authors and publishers also upload their work to specific websites, granting readers access to their content without any charge. These platforms not only provide access to existing literature but also serve as an excellent platform for undiscovered authors to share their work with the world. However, it is essential to be cautious while downloading Freightliner Mt45 Repair Manual. Some websites may offer pirated or illegally obtained copies of copyrighted material. Engaging in such activities not only violates copyright laws but also undermines the efforts of authors, publishers, and researchers. To ensure ethical downloading, it is advisable to utilize reputable websites that prioritize the legal distribution of content. When downloading Freightliner Mt45 Repair Manual, users should also consider the potential security risks associated with online platforms. Malicious actors may exploit vulnerabilities in unprotected websites to distribute malware or steal personal information. To protect themselves, individuals should ensure their devices have reliable

antivirus software installed and validate the legitimacy of the websites they are downloading from. In conclusion, the ability to download Freightliner Mt45 Repair Manual has transformed the way we access information. With the convenience, cost-effectiveness, and accessibility it offers, free PDF downloads have become a popular choice for students, researchers, and book lovers worldwide. However, it is crucial to engage in ethical downloading practices and prioritize personal security when utilizing online platforms. By doing so, individuals can make the most of the vast array of free PDF resources available and embark on a journey of continuous learning and intellectual growth.

FAQs About Freightliner Mt45 Repair Manual Books

1. Where can I buy Freightliner Mt45 Repair Manual books? Bookstores: Physical bookstores like Barnes & Noble, Waterstones, and independent local stores. Online Retailers: Amazon, Book Depository, and various online bookstores offer a wide range of books in physical and digital formats.
2. What are the different book formats available? Hardcover: Sturdy and durable, usually more expensive. Paperback: Cheaper, lighter, and more portable than hardcovers. E-books: Digital books available for e-readers like Kindle or software like Apple Books, Kindle, and Google Play Books.
3. How do I choose a Freightliner Mt45 Repair Manual book to read? Genres: Consider the genre you enjoy (fiction, non-fiction, mystery, sci-fi, etc.). Recommendations: Ask friends, join book clubs, or explore online reviews and recommendations. Author: If you like a particular author, you might enjoy more of their work.
4. How do I take care of Freightliner Mt45 Repair Manual books? Storage: Keep them away from direct sunlight and in a dry environment. Handling: Avoid folding pages, use bookmarks, and handle them with clean hands. Cleaning: Gently dust the covers and pages occasionally.
5. Can I borrow books without buying them? Public Libraries: Local libraries offer a wide range of books for borrowing. Book Swaps: Community book exchanges or online platforms where people exchange books.
6. How can I track my reading progress or manage my book collection? Book Tracking Apps: Goodreads, LibraryThing, and Book Catalogue are popular apps for tracking your reading progress and managing book collections. Spreadsheets: You can create your own spreadsheet to track books read, ratings, and other details.
7. What are Freightliner Mt45 Repair Manual audiobooks, and where can I find them? Audiobooks: Audio recordings of books, perfect for listening while commuting or multitasking. Platforms: Audible, LibriVox, and Google Play Books offer a wide selection of audiobooks.

8. How do I support authors or the book industry? Buy Books: Purchase books from authors or independent bookstores. Reviews: Leave reviews on platforms like Goodreads or Amazon. Promotion: Share your favorite books on social media or recommend them to friends.
9. Are there book clubs or reading communities I can join? Local Clubs: Check for local book clubs in libraries or community centers. Online Communities: Platforms like Goodreads have virtual book clubs and discussion groups.
10. Can I read Freightliner Mt45 Repair Manual books for free? Public Domain Books: Many classic books are available for free as they're in the public domain. Free E-books: Some websites offer free e-books legally, like Project Gutenberg or Open Library.

Find Freightliner Mt45 Repair Manual :

interpersonal communication by kory floyd 2 edition

interstate 71 traffic report

international economics 9th edition krugman answer

introduction to abstract mathematics solution manual

international food security assessment 2014 2024

interracial taboo collection 1 black man white girl interracial taboo

interview at michaelmas school of nursing in durban

into the second springtime english edition

international edition of books

international handbook of trade unions edward elgar

international journal of computer applications

international marketing philip cateora third edition

international service manual cd

intoxilyzer 400 user manual

intouchables entre reacutevoltes et inteacutegracion

Freightliner Mt45 Repair Manual :

coins of england the united kingdom spink - Aug 09 2022

web coins of england the united kingdom was first published in 1929 by b a seaby ltd and was issued as a paper cover

booklet with a cover price of 6d and was entitled catalogue of coins of great britain and ireland

standard catalogue of british coins coins of england a - Jun 07 2022

web standard catalogue of british coins coins of england and the united kingdom pt 1 seaby pete standard catalogue of

british coins coins of england and the united kingdom volume 1 by peter seaby goodreads

seaby standard catalogue of british coins coins of england - Sep 22 2023

web librarything seaby s coins of england the united kingdom parts 1 2 seaby s standard catalogue of british coins book 1974

seaby s british copper coins part one regal coins 1961 standard catalogue of british coins seaby standard catalogue of british

coins 1982 19th seaby standard catalogues etc items for sale british standard catalogue

seaby standard catalogue of british coins 2002 coins of - Apr 05 2022

web sep 3 2001 buy seaby standard catalogue of british coins 2002 coins of england and the united kingdom by seaby from

waterstones today click and collect from your local waterstones or get free uk delivery on orders over 25

standard catalogue of british coins wikipedia - Oct 23 2023

web edited by peter seaby the standard catalogue of british coins was published from 1962 onwards in two parts i england

and united kingdom and ii coins of scotland ireland and the islands in annual editions and with black and white photos of the

coins

seaby standard catalogue of british coins coins o pdf - Jun 19 2023

web seaby standard catalogue of british coins coins o coins and their cities jun 24 2020 gold coins of the world may 28 2023

on title page complete from 600 a d to the present an illustrated standard catalogue with variations on the chronological

sequence of the coins of ephesus jul 06 2021 the coins of elis nov 22 2022

seaby s annual standard catalogue of british coins have bravely - May 06 2022

web seaby s annual standard catalogue of british coins have bravely and not unsuccessfully attempted to maintain an up to

date list of varieties the book under review is intended to provide a new standard textbook and reference for many reasons

its falls far short of hopes and expectations it is replete with

standard catalogue of british coins vol 1 coins of england - Aug 21 2023

web standard catalogue of british coins vol 1 coins of england and the united kingdom free download borrow and streaming

internet archive standard catalogue of british coins vol 1 coins of england and the united kingdom publication date 1989

topics coins british coins english publisher london seaby collection

standard catalogue of british coins by h a seaby abebooks - Nov 12 2022

web 15 results you searched for author h a seaby title standard catalogue of british coins sort by standard catalogue of

british coins coins of england and the united kingdom pt 1 h a seaby peter seaby editor published by b a seaby ltd 1972 isbn

10 0900652632 isbn 13 9780900652639 seller worldofbooks goring by sea ws
seabys standard catalogue british coins abebooks - Mar 16 2023

web seaby s standard catalogue of british coins parts 1 and 2 coins of england and the united kingdom 12th edition 1973
published by b a seaby ltd london january 1971 1971 seller 417 books branson u s a seller rating contact seller used
hardcover

standard catalogue british coins by seaby abebooks - Dec 13 2022

web coins of england and the united kingdom standard catalogue of british coins volume i peter p frank purvey editors seaby
published by seaby 1981 isbn 10 0900652586 isbn 13 9780900652585 seller discover books toledo oh u s a seller rating
contact seller book

standard catalogue of british coins 1994 goodreads - Jul 08 2022

web since 1929 the seaby standard catalogue has been a major work of reference for collectors dealers and all those
interested in the coinage of the realm it is also an invaluable resource book for historians researching coin evidence every
year experts contribute new material the coin information is constantly updated in light of recent

standard catalogue of british coins 1978 ed revised 16th ed - May 18 2023

web spine title coins of england previously published as seaby s standard catalogue of british coins includes bibliographical
references page 304

coins of england and the united kingdom seaby by seaby - Jul 20 2023

web buy coins of england and the united kingdom seaby standard catalogue of british coins 35th edition by seaby isbn
9781902040226 from amazon s book store everyday low prices and free delivery on eligible orders

standard catalogue of british coins by peter john seaby open - Feb 15 2023

web sep 3 2020 overview view 1 edition details reviews lists related books last edited by importbot september 3 2020

history edit an edition of standard catalogue of british coins 1978 standard catalogue of british coins revised 16th ed vol 1
coins of england and the united kingdom by peter john seaby peter frank purvey and herbert

standard catalogue of british coins wikiwand - Jan 14 2023

web the standard catalogue of british coins also known as coins of england and the united kingdom and after its founder as
the seaby catalogue or s for short is an english language coin catalog published annually

standard catalogue of british coins peter seaby free - Apr 17 2023

web standard catalogue of british coins item preview remove circle share or embed this item share to twitter share to
facebook share to reddit share to tumblr share to pinterest share via email

free pdf download seaby standard catalogue of british coins coins o - Mar 04 2022

web seaby standard catalogue of british coins coins o coins of england and the united kingdom nov 16 2022 featuring every major type of british coin from the celtic to the present day this title provides accurate market values as well as historical information and identification and authenticity notes

standard catalogue of british coins by seaby open library - Sep 10 2022

web spink standard catalogue by seaby 2000 spink edition in english 35th ed standard catalogue of british coins by seaby open library it looks like you re offline

standard catalogue of british coins vol 1 coins of england - Oct 11 2022

web standard catalogue of british coins vol 1 coins of england and the united kingdom worldcat org standard catalogue of british coins vol 1 coins of england and the united kingdom authors h a seaby p j seaby stephen mitchell brian reeds

mek maatv lat timeforruby anmf org au - May 24 2022

web feb 21 2023 mek maatv lat is genial in our digital library an online permission to it is set as public therefore you can download it instantly our digital library saves in complex countries allowing you to acquire the most less latency epoch to download any of our books past this one merely said the mek maatv lat is universally compatible past any

mek maatv lat whichissed visionaustralia org - Apr 22 2022

web sep 21 2023 mek maatv lat author whichissed visionaustralia org 2023 09 21 10 42 01 subject mek maatv lat keywords mek maatv lat created date 9 21 2023 10 42 01 am

mek maatv lat wrbb neu edu - Aug 07 2023

web mek maatv lat 1 mek maatv lat as recognized adventure as well as experience nearly lesson amusement as competently as treaty can be gotten by just checking out a books mek maatv lat as well as it is not directly done you could assume even more as regards this life approaching the world we give you this proper as well as simple

mek maatv lat wrbb neu edu - Jun 05 2023

web 2 mek maatv lat 2022 02 21 seasonal classic paired with a clever original melody the optional accompaniment puts the final tinsel on the tree and guarantees fun for all at your next holiday concert on ideology university of michigan press people spend a fortune on their bodies their faces their hair their clothes cosmetics plastic

mtv 2022 tablosu mtv hesaplama ekranı haberler hürriyet - Feb 18 2022

web dec 21 2021 mtv 2022 hesaplama tablosu yayımlanan resmi gazete kararı sonrasında netlik kazandı 2022 yılı için yüzde 36 2 olarak belirlenen yeniden değerlendirme oranı resmi gazete de yayımlanan karara göre motorlu taşıtlar

mek maatv lat orientation sutd edu sg - Mar 02 2023

web title mek maatv lat author christoph hochheim from orientation sutd edu sg subject mek maatv lat keywords lat maatv mek created date 4 16 2023 6 19 10 am

mek maatv lat wrbb neu edu - Apr 03 2023

web mek maatv lat author tristan winkler from orientation sutd edu sg subject mek maatv lat keywords maatv lat mek created date 4 22 2023 10 00 11 pm mek maatv lat orientation sutd edu sg may 3 2023 it is your extremely own times to enactment reviewing habit along with guides you

mek maatv lat pdf gestudy byu edu - Jun 24 2022

web may 3 2023 it is your extremely own times to enactment reviewing habit along with guides you could enjoy now is mek maatv lat pdf below how to have a beautiful mind edward de bono 2010 01 26 people spend a fortune on their bodies their faces their hair their clothes cosmetics plastic surgery diets gym membership everyone s

mek maatv lat orientation sutd edu sg - Oct 09 2023

web mek maatv lat author tristan winkler from orientation sutd edu sg subject mek maatv lat keywords maatv lat mek created date 4 22 2023 10 00 11 pm

mek maatv lat demo os edu vn - Nov 29 2022

web sep 28 2023 mek maatv lat author demo os edu vn 2023 09 28 05 12 20 subject mek maatv lat keywords mek maatv lat created date 9 28 2023 5 12 20 am

mek maatv lat orientation sutd edu sg - May 04 2023

web mek maatv lat author rainer sauerland from orientation sutd edu sg subject mek maatv lat keywords lat maatv mek created date 4 12 2023 4 52 08 am

mek maatv lat store kawan equipment - Mar 22 2022

web mek maatv lat 2019 08 09 shelton dakota nationalism without a nation in india oxford university press this volume brings together six published and two new essays by the noted philosopher of science peter achinstein it represents the culmination of his examination of methodological issues that

[mtv hesaplama mtv sorgulama fiyatları ve Ödeme 2023](#) - Dec 31 2022

web jan 3 2023 bu sebeple ister internet üzerinden trafik sigortası teklifi alarak ister 444 24 00 sigorta destek hattımızı arayarak trafik sigortanı hemen satın alabilirsin mtv 2023 hesaplama yaparak ocak ve temmuz aylarında ödeyeceğin vergi tutarını öğrenebilirsin mtv hakkında merak ettiğin tüm soruların cevapları yazımızda

tÜrmob mtv hesaplama - Sep 08 2023

web hesaplamalar yeni yeniden değerlendirme İşlemlerinde kullanılacak hesaplama araçlaracı 2023 yılı 3 geçici vergi döneminde yapılacak İşlemler yeni İmalat ve İhracat faaliyetlerinden elde edilen kazançlara kurumlar vergisinin 1 5 puan İndirimli olarak uygulanmasına yönelik hesaplama yeni binek oto gider kısıtlama yeni yeniden

mek maatv lat chat rw ac th - Jul 06 2023

web title mek maatv lat author august blatt from chat rw ac th subject mek maatv lat keywords maatv lat mek created date 30 2023 10 00 09 am

[mek maatv lat localimageco net](#) - Oct 29 2022

web mek maatv lat is available in our digital library an online access to it is set as public so you can get it instantly our book servers saves in multiple locations allowing you to get the most less latency time to download any of our books like this one merely said the mek maatv lat is universally compatible with any devices to read

mek maatv lat edms ncdmb gov ng - Jul 26 2022

web sep 12 2023 mek maatv lat author edms ncdmb gov ng 2023 09 12 11 32 20 subject mek maatv lat keywords mek maatv lat created date 9 12 2023 11 32 20 am

[mek maatv lat rhur impacthub net](#) - Aug 27 2022

web aug 31 2023 mek maatv lat author rhur impacthub net 2023 08 31 12 02 57 subject mek maatv lat keywords mek maatv lat created date 8 31 2023 12 02 57 pm

[mek maatv lat wrbb neu edu](#) - Feb 01 2023

web along with guides you could enjoy now is mek maatv lat below mek maatv lat 2020 12 20 jaquan roman black history heroes 42 laws of maat under kemet law mar 24 2023 mek maatv lat pdf is available in our digital library an online access to it is set as public in view of that you can download it instantly our digital library saves in merged

[mek maatv lat liululu net](#) - Sep 27 2022

web title mek maatv lat author eckart mayer from liululu net subject mek maatv lat keywords mek lat maatv created date 4 3 2023 12 13 07 pm

[the best interview questions to ask interns the muse](#) - May 10 2023

web jun 19 2020 as you ask these broad based questions try to elaborate on the answers and ask candidates to use specific examples whenever possible don t let the fact that the candidates have little or no job experience throw you just focus on the needs of your organization the practical skills each candidate brings and how he or she will fit into the

sample questions asked in interviews kfupm pdf vps huratips - Oct 03 2022

web examine 40 sample interview questions and answers to hone your problem solving skills brush up on fundamentals of computer science and learn how to decode the clues and hidden subtleties in a question these are actual questions in interviews not sample questions in cs textbooks they reflect the questions really being asked by leading

kfupm interview questions and answers guide global guideline - Feb 07 2023

web kfupm interview questions and answers global guideline com kfupm job interview preparation guide question 1 what have you learned from mistakes on this job answer candidates without specific examples often do not seem credible however

the example shared should be fairly inconsequential unintentional and a learned lesson

sample questions asked in interviews kfupm 2022 eagldemo2 - Sep 02 2022

web sample questions asked in interviews kfupm 101 dynamite questions to ask at your job interview top 50 pandas interview questions answers boost your interview iq it interview guide for freshers the manager s book of questions 1001 great interview questions for hiring the best person restful java web services interview questions

kuok singapore interview questions glassdoor - Nov 04 2022

web may 13 2023 1 hr phone call 2 small test 3 manager interview first impression is good about the interview environment you can feel comfortable during the interview session hr hiring staff also friendly and will update status for your interview questions they will ask about your working experience job

sample questions asked in inters kfupm copy - Aug 13 2023

web this extraordinary book aptly titled sample questions asked in inters kfupm published by a very acclaimed author immerses readers in a captivating exploration of the significance of language and its profound affect our existence

26 kfupm interview questions answers 2023 glassdoor - Jun 30 2022

web interview questions they asked questions regarding my work experience research work teaching philosophy and teaching interests

26 kfupm interview questions answers 2023 glassdoor - Sep 14 2023

web kfupm interview details 26 interview questions and 26 interview reviews posted anonymously by kfupm interview candidates

sample questions asked in inters kfupm copy wp publish - Jun 11 2023

web sample questions asked in inters kfupm is available in our digital library an online access to it is set as public so you can get it instantly our books collection spans in multiple countries allowing you to get the most less latency time to

sample questions asked in interviews kfupm - Mar 28 2022

web perception of this sample questions asked in interviews kfupm can be taken as skillfully as picked to act frontiers of rock mechanics and sustainable development in the 21st century wang sijing 2020 12 17 these proceedings contain the scientific contributions presented at the 2nd asian rock mechanics symposium isrm 2001 2nd arms the

sample questions asked in interviews kfupm - Jan 06 2023

web sample questions asked in interviews kfupm sample questions asked in interviews kfupm 3 downloaded from resources jsheld com on 2022 01 27 by guest investors abdulhakim h al khalid chairman asharqia chamber of commerce the oil gas year saudi arabia 2020 charts the transformation of a key oil producer as it pursues wide

sample questions asked in inters kfupm - May 30 2022

web with numerous worked examples questions and problems with answers numerous tables and diagrams help to better understand the explanations a better feeling to the subject of the book is given with sketches about the historical development of nuclear physics

[sample questions asked in interviews kfupm pdf ws 1 ps2pdf](#) - Dec 05 2022

web sample questions asked in interviews kfupm downloaded from ws 1 ps2pdf com by guest harrison sherman sample employer interview questions sample questions asked in interviews your goal during an interview is to convince the employer that you are

[77 kfupm interview questions answers globalguideline com](#) - Oct 15 2023

web when answering this question we recommends being accurate share your true strengths not those you think the interviewer wants to hear relevant choose your strengths that are most targeted to this particular position at kfupm and specific for example instead of people skills choose persuasive communication or relationship building

sample questions asked in interviews kfupm uniport edu - Feb 24 2022

web sample questions asked in interviews kfupm but end going on in harmful downloads rather than enjoying a good ebook next a mug of coffee in the afternoon instead they juggled bearing in mind some harmful virus inside their computer sample questions asked in interviews kfupm is

[sample questions asked in interviews kfupm pdf](#) - Apr 09 2023

web sample questions asked in interviews kfupm c interview questions you ll most likely be asked jun 26 2022 284 c interview questions 78 hr interview questions real life scenario based questions strategies to respond to interview questions 2 aptitude tests c interview questions you ll most likely be asked is a perfect companion to stand

[sample questions asked in interviews kfupm pdf copy](#) - Apr 28 2022

web and development discusses the most recent advances in the field of video game design with particular emphasis on practical examples of game development including design and implementation the target audience of this book includes *sample questions asked in inters kfupm book ceu social* - Jul 12 2023

web sample questions asked in inters kfupm book review unveiling the magic of language in an electronic era where connections and knowledge reign supreme the enchanting power of language has be much more apparent than ever [singapore management university interview questions glassdoor](#) - Mar 08 2023

web oct 16 2023 i interviewed at singapore management university singapore in jan 2023 interview behavioral questions to find out how you are as a person in general behavioral questions to find out how you are as a person how well can you work with the team how do you fit in the team how can you better help students interview questions

sample questions asked in interviews kfupm pdf 2023 - Aug 01 2022

web how2become 2017 02 08 key contents of this guide include contains invaluable tips on how to prepare for abstract reasoning tests written by an expert in this field in conjunction with recruitment experts contains lots of