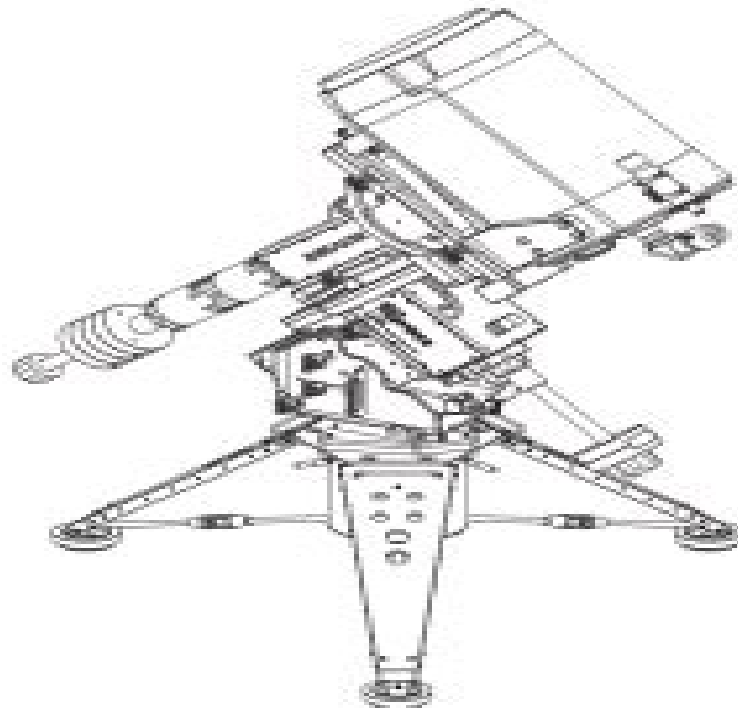


Instruction Manual

16", 20" RCX400™ Advanced Ritchey-Chrétien Telescopes
with The Max Mount



MEADE.COM



MEADE

Meade Rcx400 User Guide

A Loxley



Meade Rcx400 User Guide:

Unveiling the Magic of Words: A Report on "**Meade Rcx400 User Guide**"

In a global defined by information and interconnectivity, the enchanting power of words has acquired unparalleled significance. Their ability to kindle emotions, provoke contemplation, and ignite transformative change is really awe-inspiring. Enter the realm of "**Meade Rcx400 User Guide**," a mesmerizing literary masterpiece penned with a distinguished author, guiding readers on a profound journey to unravel the secrets and potential hidden within every word. In this critique, we shall delve in to the book is central themes, examine its distinctive writing style, and assess its profound effect on the souls of its readers.

<https://staging.conocer.cide.edu/data/virtual-library/HomePages/mig%2031%20flight%20manual.pdf>

Table of Contents Meade Rcx400 User Guide

1. Understanding the eBook Meade Rcx400 User Guide
 - The Rise of Digital Reading Meade Rcx400 User Guide
 - Advantages of eBooks Over Traditional Books
2. Identifying Meade Rcx400 User Guide
 - Exploring Different Genres
 - Considering Fiction vs. Non-Fiction
 - Determining Your Reading Goals
3. Choosing the Right eBook Platform
 - Popular eBook Platforms
 - Features to Look for in an Meade Rcx400 User Guide
 - User-Friendly Interface
4. Exploring eBook Recommendations from Meade Rcx400 User Guide
 - Personalized Recommendations
 - Meade Rcx400 User Guide User Reviews and Ratings
 - Meade Rcx400 User Guide and Bestseller Lists

5. Accessing Meade Rcx400 User Guide Free and Paid eBooks
 - Meade Rcx400 User Guide Public Domain eBooks
 - Meade Rcx400 User Guide eBook Subscription Services
 - Meade Rcx400 User Guide Budget-Friendly Options
6. Navigating Meade Rcx400 User Guide eBook Formats
 - ePub, PDF, MOBI, and More
 - Meade Rcx400 User Guide Compatibility with Devices
 - Meade Rcx400 User Guide Enhanced eBook Features
7. Enhancing Your Reading Experience
 - Adjustable Fonts and Text Sizes of Meade Rcx400 User Guide
 - Highlighting and Note-Taking Meade Rcx400 User Guide
 - Interactive Elements Meade Rcx400 User Guide
8. Staying Engaged with Meade Rcx400 User Guide
 - Joining Online Reading Communities
 - Participating in Virtual Book Clubs
 - Following Authors and Publishers Meade Rcx400 User Guide
9. Balancing eBooks and Physical Books Meade Rcx400 User Guide
 - Benefits of a Digital Library
 - Creating a Diverse Reading Collection Meade Rcx400 User Guide
10. Overcoming Reading Challenges
 - Dealing with Digital Eye Strain
 - Minimizing Distractions
 - Managing Screen Time
11. Cultivating a Reading Routine Meade Rcx400 User Guide
 - Setting Reading Goals Meade Rcx400 User Guide
 - Carving Out Dedicated Reading Time
12. Sourcing Reliable Information of Meade Rcx400 User Guide
 - Fact-Checking eBook Content of Meade Rcx400 User Guide
 - Distinguishing Credible Sources
13. Promoting Lifelong Learning

- Utilizing eBooks for Skill Development
- Exploring Educational eBooks

14. Embracing eBook Trends

- Integration of Multimedia Elements
- Interactive and Gamified eBooks

Meade Rcx400 User Guide Introduction

In today's digital age, the availability of Meade Rcx400 User Guide books and manuals for download has revolutionized the way we access information. Gone are the days of physically flipping through pages and carrying heavy textbooks or manuals. With just a few clicks, we can now access a wealth of knowledge from the comfort of our own homes or on the go. This article will explore the advantages of Meade Rcx400 User Guide books and manuals for download, along with some popular platforms that offer these resources. One of the significant advantages of Meade Rcx400 User Guide books and manuals for download is the cost-saving aspect. Traditional books and manuals can be costly, especially if you need to purchase several of them for educational or professional purposes. By accessing Meade Rcx400 User Guide versions, you eliminate the need to spend money on physical copies. This not only saves you money but also reduces the environmental impact associated with book production and transportation. Furthermore, Meade Rcx400 User Guide books and manuals for download are incredibly convenient. With just a computer or smartphone and an internet connection, you can access a vast library of resources on any subject imaginable. Whether you're a student looking for textbooks, a professional seeking industry-specific manuals, or someone interested in self-improvement, these digital resources provide an efficient and accessible means of acquiring knowledge. Moreover, PDF books and manuals offer a range of benefits compared to other digital formats. PDF files are designed to retain their formatting regardless of the device used to open them. This ensures that the content appears exactly as intended by the author, with no loss of formatting or missing graphics. Additionally, PDF files can be easily annotated, bookmarked, and searched for specific terms, making them highly practical for studying or referencing. When it comes to accessing Meade Rcx400 User Guide books and manuals, several platforms offer an extensive collection of resources. One such platform is Project Gutenberg, a nonprofit organization that provides over 60,000 free eBooks. These books are primarily in the public domain, meaning they can be freely distributed and downloaded. Project Gutenberg offers a wide range of classic literature, making it an excellent resource for literature enthusiasts. Another popular platform for Meade Rcx400 User Guide books and manuals is Open Library. Open Library is an initiative of the Internet Archive, a non-profit organization dedicated to digitizing cultural artifacts and making them accessible to the public. Open Library hosts millions of books, including both public domain works and contemporary titles. It also allows users to borrow digital copies of certain

books for a limited period, similar to a library lending system. Additionally, many universities and educational institutions have their own digital libraries that provide free access to PDF books and manuals. These libraries often offer academic texts, research papers, and technical manuals, making them invaluable resources for students and researchers. Some notable examples include MIT OpenCourseWare, which offers free access to course materials from the Massachusetts Institute of Technology, and the Digital Public Library of America, which provides a vast collection of digitized books and historical documents. In conclusion, Meade Rcx400 User Guide books and manuals for download have transformed the way we access information. They provide a cost-effective and convenient means of acquiring knowledge, offering the ability to access a vast library of resources at our fingertips. With platforms like Project Gutenberg, Open Library, and various digital libraries offered by educational institutions, we have access to an ever-expanding collection of books and manuals. Whether for educational, professional, or personal purposes, these digital resources serve as valuable tools for continuous learning and self-improvement. So why not take advantage of the vast world of Meade Rcx400 User Guide books and manuals for download and embark on your journey of knowledge?

FAQs About Meade Rcx400 User Guide Books

How do I know which eBook platform is the best for me? Finding the best eBook platform depends on your reading preferences and device compatibility. Research different platforms, read user reviews, and explore their features before making a choice. Are free eBooks of good quality? Yes, many reputable platforms offer high-quality free eBooks, including classics and public domain works. However, make sure to verify the source to ensure the eBook credibility. Can I read eBooks without an eReader? Absolutely! Most eBook platforms offer webbased readers or mobile apps that allow you to read eBooks on your computer, tablet, or smartphone. How do I avoid digital eye strain while reading eBooks? To prevent digital eye strain, take regular breaks, adjust the font size and background color, and ensure proper lighting while reading eBooks. What the advantage of interactive eBooks? Interactive eBooks incorporate multimedia elements, quizzes, and activities, enhancing the reader engagement and providing a more immersive learning experience. Meade Rcx400 User Guide is one of the best book in our library for free trial. We provide copy of Meade Rcx400 User Guide in digital format, so the resources that you find are reliable. There are also many Ebooks of related with Meade Rcx400 User Guide. Where to download Meade Rcx400 User Guide online for free? Are you looking for Meade Rcx400 User Guide PDF? This is definitely going to save you time and cash in something you should think about. If you trying to find then search around for online. Without a doubt there are numerous these available and many of them have the freedom. However without doubt you receive whatever you purchase. An alternate way to get ideas is always to check another Meade Rcx400 User Guide. This method for see exactly

what may be included and adopt these ideas to your book. This site will almost certainly help you save time and effort, money and stress. If you are looking for free books then you really should consider finding to assist you try this. Several of Meade Rcx400 User Guide are for sale to free while some are payable. If you arent sure if the books you would like to download works with for usage along with your computer, it is possible to download free trials. The free guides make it easy for someone to free access online library for download books to your device. You can get free download on free trial for lots of books categories. Our library is the biggest of these that have literally hundreds of thousands of different products categories represented. You will also see that there are specific sites catered to different product types or categories, brands or niches related with Meade Rcx400 User Guide. So depending on what exactly you are searching, you will be able to choose e books to suit your own need. Need to access completely for Campbell Biology Seventh Edition book? Access Ebook without any digging. And by having access to our ebook online or by storing it on your computer, you have convenient answers with Meade Rcx400 User Guide To get started finding Meade Rcx400 User Guide, you are right to find our website which has a comprehensive collection of books online. Our library is the biggest of these that have literally hundreds of thousands of different products represented. You will also see that there are specific sites catered to different categories or niches related with Meade Rcx400 User Guide So depending on what exactly you are searching, you will be able to choose ebook to suit your own need. Thank you for reading Meade Rcx400 User Guide. Maybe you have knowledge that, people have search numerous times for their favorite readings like this Meade Rcx400 User Guide, but end up in harmful downloads. Rather than reading a good book with a cup of coffee in the afternoon, instead they juggled with some harmful bugs inside their laptop. Meade Rcx400 User Guide is available in our book collection an online access to it is set as public so you can download it instantly. Our digital library spans in multiple locations, allowing you to get the most less latency time to download any of our books like this one. Merely said, Meade Rcx400 User Guide is universally compatible with any devices to read.

Find Meade Rcx400 User Guide :

mig 31 flight manual

[milf seduction two book bbw milf older younger pregnancy bundle](#)

[mighty minerals answer sheet](#)

[millennium spa manual](#)

[mifi 237user guide](#)

[mike murdock laws book](#)

[mini cooper 1979 repair service manual](#)

[mindset learn gr11 maths paper2](#)

[military madness guide](#)

military 2016 application

[mini cooper convertible owners manual uk](#)

[millipore direct q-3 uv manual](#)

milady s standard cosmetology 2012

[milan psiii 2 14 11 t owners manual](#)

[mini b tongue twisters english edition](#)

Meade Rcx400 User Guide :

reptiles activity kindergarten teaching resources tpt - Jan 08 2023

web browse reptiles activity kindergarten resources on teachers pay teachers a marketplace trusted by millions of teachers for original educational resources

reptiles national geographic kids - Sep 16 2023

web reptiles are cold blooded vertebrates vertebrates have backbones they have dry skin covered with scales or bony plates and usually lay soft shelled eggs american alligator

reptiles reptile nonfiction reading passages and lesson plans - Mar 10 2023

web the resources in this packet are designed to meet common core standards for kindergarten 1st and 2nd grade while making learning fun and engaging this

reptiles kindergarten worksheets learny kids - Sep 04 2022

web reptiles kindergarten worksheets total of 8 printable worksheets available for this concept worksheets are types of animals reptiles work reptiles

critter classification reptiles worksheets kiddy math - Apr 30 2022

web critter classification reptiles displaying top 8 worksheets found for this concept some of the worksheets for this concept are kindergarten common core reptiles

critter classification reptiles worksheets study common core - Oct 05 2022

web critter classification reptiles displaying top 8 worksheets found for this concept some of the worksheets for this concept are kindergarten common core reptiles

kindergartencommoncorereptiles robin nelson - Oct 25 2021

web where they migrate aligned to common core standards and correlated to state standards abdo kids jumbo is an imprint of abdo kids a division of abdo catfish cod salmon

[critter classification reptiles worksheets lesson worksheets](#) - Mar 30 2022

web showing 8 worksheets for critter classification reptiles worksheets are kindergarten common core reptiles kindergarten common core reptiles dichoto

[all about reptiles level c game education com](#) - Apr 11 2023

web in this leveled book about slithery scaly creatures kids can learn all about descriptive language categorization and simple life science too not just a great intro to reading

reptiles and amphibians scholastic - Jul 14 2023

web teach kids about reptiles and amphibians with informational texts science projects worksheets and educational activities themed practice pages and teaching tools also

kindergartencommoncorereptiles 2022 dev gamersdecide - Dec 27 2021

web kindergarten thinking skills and common core concepts lerner publications mammals are a very diverse group from whales and dolphins that give birth in the water to

reptiles for kindergarten teaching resources tpt - May 12 2023

web results for reptiles for kindergarten 1 700 results sort by relevance view list reptiles and amphibians emergent reader kindergarten first second esl science

reptiles worksheet for kindergarten teaching resources tpt - Feb 09 2023

web pdf reptile reptiles worksheet activity kindergarten 1st 2nd 3rd 4th scienceyour students will enjoy making this reptiles wheel to learn about the characteristics and

reptiles worksheets kindergarten curriculum printable activity - Aug 03 2022

web reptiles 8 animals 37 sea animals 6 vehicles animals 28 others 5 animals 23 kindergarten specials science activities play activities nursery rhymes helpful

[top 10 reptile facts for kids twinkl homework help](#) - Aug 15 2023

web jan 20 2023 top 10 facts about reptiles 1 the inland taipan snake is considered to be the most venomous of all snakes however because of its shy nature not many people

critter classification reptiles printable worksheets - Jan 28 2022

web critter classification reptiles worksheets showing all 8 printables worksheets are kindergarten common core reptiles kindergarten common core rept

[critter classification reptiles worksheets teacher worksheets](#) - Nov 06 2022

web showing top 8 worksheets in the category critter classification reptiles some of the worksheets displayed are kindergarten common core reptiles kindergarten common

[reptile games for kids online splashlearn](#) - Jun 01 2022

web discover the world of reptiles with our fun and engaging reptile games for kids learn about diverse reptile species their habitats behaviors and unique adaptations expand your

[critter classification reptiles worksheets learny kids](#) - Feb 26 2022

web critter classification reptiles worksheets total of 8 printable worksheets available for this concept worksheets are kindergarten common core repti

[kindergarten common core reptiles](#) - Jul 02 2022

web kindergarten common core reptiles this is likewise one of the factors by obtaining the soft documents of this kindergarten common core reptiles by online you might not

[kindergarten reptiles teaching resources teachers pay](#) - Jun 13 2023

web browse kindergarten reptiles resources on teachers pay teachers a marketplace trusted by millions of teachers for original educational resources browse catalog grade

results for reptiles kindergarten tpt - Nov 25 2021

web reptile reptiles craft preschool kindergarten 1st grade science worksheet your students will enjoy making and wearing these fun reptile themed headbands makes

[activities for kids to learn about reptiles twinkl](#) - Dec 07 2022

web this blog has an absolute wealth of information about reptiles for kids first we take a look at facts about reptiles for kids then we have ten fabulous activities about reptiles

study mbbs in turkey for indian students 2023 fees eligibility - Mar 26 2023

mcmaster university s midwifery education program strives to be a supportive and inclusive

how to become a nurse midwife nursejournal org - Nov 21 2022

application for admission international midwifery pre registration program imp

admission requirements how to apply midwifery - Jun 28 2023

enrolment in the midwifery education program is limited admission into the midwifery

midwifery bmid explore um university of manitoba - Jan 24 2023

nov 23 2022 an msn is the minimum requirement to become a nurse midwife or cnm

community midwifery programme admission form 2023 2024 - Oct 09 2021

1 day ago last date to apply for iift mba admissions 2024 december 6 2023 online

[study midwifery at istanbul kent university marifetedu com](#) - Aug 31 2023

the bachelor degree program in midwifery at istanbul kent university is a 4 year program

[bachelor of midwifery mru mount royal university](#) - Jul 18 2022

the midwifery office is located in room 320 third floor of the david strangway building 5950

[midwifery future students mcmaster university](#) - Apr 14 2022

the purpose of this bulletin is to provide information to prospective applicants to the bachelor

admission requirements midwifery program - Aug 19 2022

most programs require a bachelors degree for entry but some will accept registered nurses

faqs midwifery program university of british columbia - May 16 2022

step 1 review the program s requirements click here to jump to information on

acnm become a midwife become a midwife - Jun 16 2022

high school applicants may apply to midwifery if one or more of the required grade 12

[admissions midwifery undergraduate program](#) - Jul 06 2021

admissions midwifery graduate program - Mar 14 2022

apply now 2 verify the application deadline for your program 3 determine what

[rad faculty of health sciences university of manitoba](#) - Feb 10 2022

written application mail completed application packet including signed application page

[phd master s application process yale graduate school of arts](#) - Jan 12 2022

1 november 2023 nursing and midwifery graduate program virtual forum kick starting your

admission to the midwifery program birthingway college - Apr 26 2023

the mbbs program is offered in different disciplines like health management veterinary

[iift admissions 2024 registrations for mba ib mba ba begin](#) - Aug 07 2021

[program information medipol university](#) - Oct 01 2023

our midwifery program aims to train professional midwives to service in every field being equipped with knowledge and talents absorbing midwifery philosophy and ethic values embracing a lifelong learning and having management and research skills in accordance with

application requirements preparing your application - Feb 22 2023

2 admission process a all application forms and documents have to be completed and

[ontario college revokes international student admissions again](#) - Sep 07 2021

next application deadline january 15 2024 admissions faq all applicants for

nursing and midwifery graduate program virtual forum perth - Nov 09 2021

1 day ago hundreds of international students are scrambling after an ontario college revoked

application for admission international midwifery pre registration - Sep 19 2022

this degree prepares students to become a primary care provider in the growing field of

how to apply midwifery program university of british columbia - May 28 2023

midwifery admissions how can i strengthen my application to your midwifery program

fellowship admissions and application medipol university - Dec 23 2022

a midwife is a person who has successfully completed a midwifery education programme

application for admission to midwifery program birthingway - Dec 11 2021

jun 4 2020 application forms can be obtained from the admissions office or the official

midwifery ucas - Oct 21 2022

all individuals who apply to the midwifery program must first submit an application to ubc

international student application medeniyet - Jul 30 2023

every year international student quotas admission requirements and application schedule

most powerful narasimha mantra to destroy - Sep 04 2022

web mar 28 2020 Śrī nṛsiṃha dvātriṃśat bījamālā stotramauthor Śrī bharadvāja munirendered by yaśodā kumāra dāsathe phalaśrutī states that one who takes shelter of this pow

sri narasimha kavacha mantra iskcon desire tree idt - Dec 07 2022

web sri narasimha kavacha mantra i shall now recite the narasimha kavaca formerly spoken by prahlada maharaja it is most pious vanquishes all kinds of impediments and provides one all protection it bestows upon one all opulences and can give one elevation to the heavenly planets or liberation

powerful narasimha mantra astroved com - Feb 26 2022

web apr 25 2018 narasimha the unique lord narasimha is an amazing incarnation of lord vishnu the supreme god of protection and sustenance nara is a human being and simha is a lion and nara simha is thus a man lion lord vishnu had to take this unbelievably strange form for overcoming the mighty demon hiranyakashipu who was very well

[extremely powerful shri narasimha mantra by srimati ramadevi](#) - Jul 14 2023

web may 6 2017 narasimha mantra also known as kavacha mantra has the power of protecting those who chant it the kavacha mantras act as protective shields to safeguard the welfare of the devotees if so

powerful lord narasimha mantras to for protection victory and - Apr 30 2022

web aug 17 2023 it is believed that praying to lord narasimha can grant one a number of blessings including atonement for

sins the healing of illnesses protection from the bad influences of the planets and

narasimha stotram mantra shloka stuti kavacham hymn in - Jul 02 2022

web may 31 2021 lord sri narasimha takes this avatar to save his devotee named prahlada from the clutches of his father demon king hiranyakashipu hiranyakashyap lord sri vishnu is the most kindest if even the smallest of the smallest devotee calls him with true devotion he will definitely come to save his devotee

[gurukripa narasimha beej mantra](#) - Jan 28 2022

web nov 22 2022 narasimha beej mantra sadhana is a terrific mantra to bring the divine endorsements of lord narasimha beej simply represents seeds narasimha is a substantial iconic sign of creative resistance hope against odds victory over persecution and destruction of evil

[9 powerful narasimha mantra](#) - Jun 01 2022

web mantra meaning i bow down to lord narasimha who is highly ferocious and brave and the emanation of lord maha vishnu he is full of effulgence terrific and auspicious and the death of death

narasimha mantra 1008 times chanting ugram veeram maha youtube - Mar 10 2023

web jan 22 2021 0 00 2 31 41 narasimha mantra 1008 times chanting ugram veeram maha vishnum jwalantham sarvatho mukham power of mantra 211k subscribers subscribe 4 3k 434k views 2 years ago powerofmantra

appearance of lord narasimha mantra audio the gaudiya - Dec 27 2021

web jul 1 2020 the supreme lord s incarnation as lord narasimha deva who is half man and half lion is a merciful protector of his devotees we offer prayers to lord narasimha for his divine shelter this article recounts how lord narasimha protected his devotee prahlad maharaj from his demoniac father

[lord narasimha kavacha mantra4u](#) - Oct 05 2022

web this narasimha kavacha stotram is from the brahmanda purana spoken and offered by prahlad maharaj for the glorification of the lord lord narasimha is the fourth incarnation of lord vishnu he appeared in narasimha form to protect his devotee prahlad from the torture of his own father hiranyakashipu even though prah

powerful narasimha kavacham mantra ugram veeram maha - Feb 09 2023

web narasimha maha mantra ugram veeram maha vishnum 108 time narasimha stotram narasimha vedic kavacham mantra sri narasimha is incarnation of lord vishnu and he is known as the protector

narasimha wikipedia - Nov 06 2022

web from wikipedia the free encyclopedia for other uses see narasimha disambiguation narasimha god of protection destruction yoga and kala time the destroyer of evil and fear avatar of vishnu member of dashavatara yoga narasimha man

lion avatar of vishnu yogic in various chapters devanagari ळ ळ ळ

powerful narasimha mantras for protection with meaning - Aug 15 2023

web narasimha who is one of the most powerful avatars of lord vishnu the protector in the hindu triad is known to be fierce to fight and remove all that is evil and as a result protect all his devotees from every negative aspect of life he is regarded as the embodiment of victory of good over evil

narashimha mantra meaning and benefits times of india - Aug 03 2022

web jan 16 2018 lord narashimha mantras are highly powerful and are chanted with devotion and faith by the hindus here is a collection of narashimha mantras their meanings and benefits

narasimha mantra narasimha gayatri mantra meaning - Apr 11 2023

web narasimha is considered one of the most powerful incarnations of lord vishnu there are various mantras dedicated to lord narasimha the lord in the form of a lion if revered regularly and with devotion these mantras bestow the devotee with courage and remove all the fears the mantra surrounds the devotee with the sanctification of lord

ugram veeram powerful narasimha mantra armonian youtube - Jun 13 2023

web apr 3 2022 music and vocals by armonian most powerful narasimha mantra ळ

the a z guide to narasimha mantra free printable chanting - May 12 2023

web the narasimha mantra is a mantra meant to praise the god narasimha and invoke his powers and influence in your life narasimha is considered the fiercest of all the avatars of the god vishnu the god narasimha is fierce but his fierceness is

great protection mantra narasimha lord mantra ळ man power mantra - Jan 08 2023

web jan 8 2018 dear friends don t miss the huge sale on aliexpress ali pub 40yw80 narasimha mantra man power mantra of protection vishnu mantra for 1 protec

sri narasimha pranama iskcon blog - Mar 30 2022

web dalita hiranyakashipu tanu bhrngam keshava dharta narahari rupa jaya jagadisa hare o my lord your hands are very beautiful like the lotus flower but with your long nails you have ripped apart the wasp hiranyakashipu unto you lord of the universe i