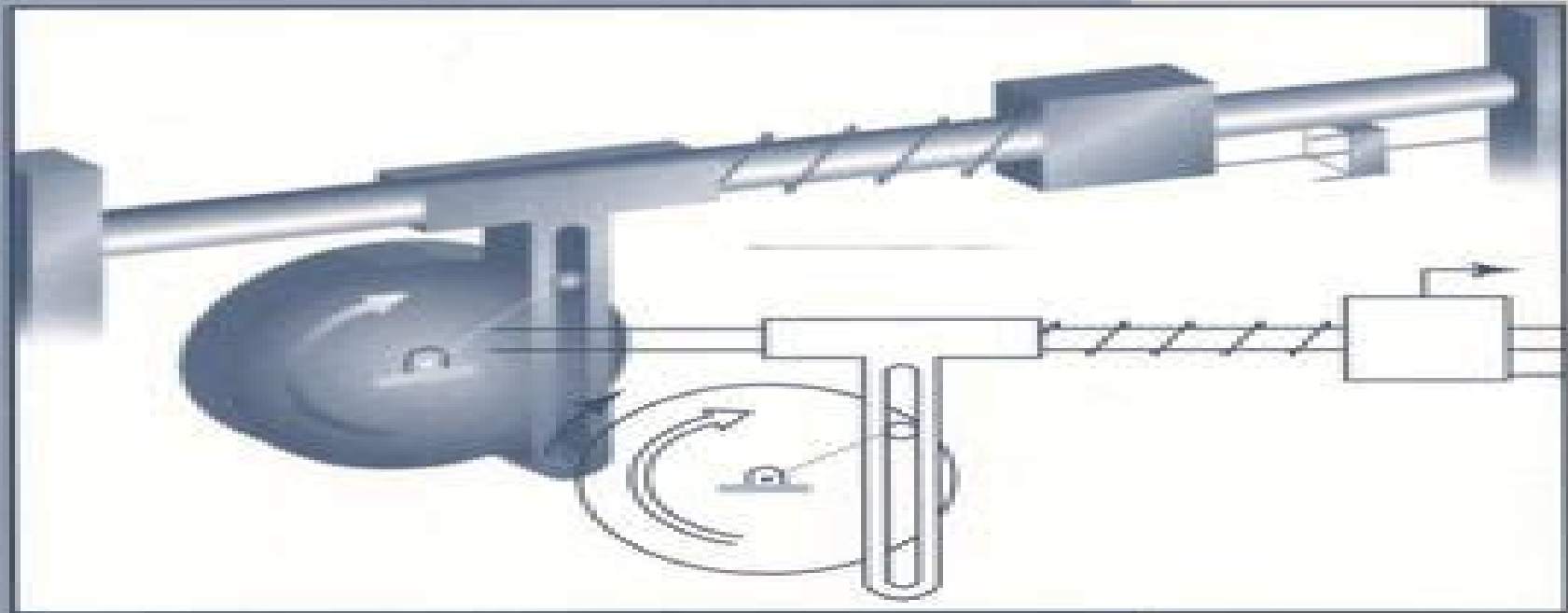


Mechanical and Structural Vibrations

Theory and
Applications



Jerry H. Ginsberg

Mechanical Structural Vibrations Theory Applications

L Darling-Hammond



Mechanical Structural Vibrations Theory Applications:

Adopting the Song of Term: An Psychological Symphony within **Mechanical Structural Vibrations Theory Applications**

In a global consumed by displays and the ceaseless chatter of fast conversation, the melodic beauty and mental symphony developed by the prepared term often disappear into the background, eclipsed by the persistent sound and distractions that permeate our lives. However, situated within the pages of **Mechanical Structural Vibrations Theory Applications** a charming literary prize full of raw emotions, lies an immersive symphony waiting to be embraced. Constructed by an elegant composer of language, that captivating masterpiece conducts viewers on an emotional journey, well unraveling the concealed songs and profound affect resonating within each cautiously constructed phrase. Within the depths of the moving review, we can examine the book is central harmonies, analyze their enthralling writing design, and surrender ourselves to the profound resonance that echoes in the depths of readers souls.

<https://staging.conocer.cide.edu/files/Resources/HomePages/mitsubishi%20delica%20manual%20vs%20automatic.pdf>

Table of Contents Mechanical Structural Vibrations Theory Applications

1. Understanding the eBook Mechanical Structural Vibrations Theory Applications
 - The Rise of Digital Reading Mechanical Structural Vibrations Theory Applications
 - Advantages of eBooks Over Traditional Books
2. Identifying Mechanical Structural Vibrations Theory Applications
 - Exploring Different Genres
 - Considering Fiction vs. Non-Fiction
 - Determining Your Reading Goals
3. Choosing the Right eBook Platform
 - Popular eBook Platforms
 - Features to Look for in an Mechanical Structural Vibrations Theory Applications
 - User-Friendly Interface
4. Exploring eBook Recommendations from Mechanical Structural Vibrations Theory Applications
 - Personalized Recommendations

- Mechanical Structural Vibrations Theory Applications User Reviews and Ratings
- Mechanical Structural Vibrations Theory Applications and Bestseller Lists
- 5. Accessing Mechanical Structural Vibrations Theory Applications Free and Paid eBooks
 - Mechanical Structural Vibrations Theory Applications Public Domain eBooks
 - Mechanical Structural Vibrations Theory Applications eBook Subscription Services
 - Mechanical Structural Vibrations Theory Applications Budget-Friendly Options
- 6. Navigating Mechanical Structural Vibrations Theory Applications eBook Formats
 - ePub, PDF, MOBI, and More
 - Mechanical Structural Vibrations Theory Applications Compatibility with Devices
 - Mechanical Structural Vibrations Theory Applications Enhanced eBook Features
- 7. Enhancing Your Reading Experience
 - Adjustable Fonts and Text Sizes of Mechanical Structural Vibrations Theory Applications
 - Highlighting and Note-Taking Mechanical Structural Vibrations Theory Applications
 - Interactive Elements Mechanical Structural Vibrations Theory Applications
- 8. Staying Engaged with Mechanical Structural Vibrations Theory Applications
 - Joining Online Reading Communities
 - Participating in Virtual Book Clubs
 - Following Authors and Publishers Mechanical Structural Vibrations Theory Applications
- 9. Balancing eBooks and Physical Books Mechanical Structural Vibrations Theory Applications
 - Benefits of a Digital Library
 - Creating a Diverse Reading Collection Mechanical Structural Vibrations Theory Applications
- 10. Overcoming Reading Challenges
 - Dealing with Digital Eye Strain
 - Minimizing Distractions
 - Managing Screen Time
- 11. Cultivating a Reading Routine Mechanical Structural Vibrations Theory Applications
 - Setting Reading Goals Mechanical Structural Vibrations Theory Applications
 - Carving Out Dedicated Reading Time
- 12. Sourcing Reliable Information of Mechanical Structural Vibrations Theory Applications
 - Fact-Checking eBook Content of Mechanical Structural Vibrations Theory Applications

- Distinguishing Credible Sources
- 13. Promoting Lifelong Learning
 - Utilizing eBooks for Skill Development
 - Exploring Educational eBooks
- 14. Embracing eBook Trends
 - Integration of Multimedia Elements
 - Interactive and Gamified eBooks

Mechanical Structural Vibrations Theory Applications Introduction

In this digital age, the convenience of accessing information at our fingertips has become a necessity. Whether its research papers, eBooks, or user manuals, PDF files have become the preferred format for sharing and reading documents. However, the cost associated with purchasing PDF files can sometimes be a barrier for many individuals and organizations. Thankfully, there are numerous websites and platforms that allow users to download free PDF files legally. In this article, we will explore some of the best platforms to download free PDFs. One of the most popular platforms to download free PDF files is Project Gutenberg. This online library offers over 60,000 free eBooks that are in the public domain. From classic literature to historical documents, Project Gutenberg provides a wide range of PDF files that can be downloaded and enjoyed on various devices. The website is user-friendly and allows users to search for specific titles or browse through different categories. Another reliable platform for downloading Mechanical Structural Vibrations Theory Applications free PDF files is Open Library. With its vast collection of over 1 million eBooks, Open Library has something for every reader. The website offers a seamless experience by providing options to borrow or download PDF files. Users simply need to create a free account to access this treasure trove of knowledge. Open Library also allows users to contribute by uploading and sharing their own PDF files, making it a collaborative platform for book enthusiasts. For those interested in academic resources, there are websites dedicated to providing free PDFs of research papers and scientific articles. One such website is Academia.edu, which allows researchers and scholars to share their work with a global audience. Users can download PDF files of research papers, theses, and dissertations covering a wide range of subjects. Academia.edu also provides a platform for discussions and networking within the academic community. When it comes to downloading Mechanical Structural Vibrations Theory Applications free PDF files of magazines, brochures, and catalogs, Issuu is a popular choice. This digital publishing platform hosts a vast collection of publications from around the world. Users can search for specific titles or explore various categories and genres. Issuu offers a seamless reading experience with its user-friendly interface and allows users to download PDF files for offline reading. Apart from dedicated platforms, search engines also play a crucial role in finding free

PDF files. Google, for instance, has an advanced search feature that allows users to filter results by file type. By specifying the file type as "PDF," users can find websites that offer free PDF downloads on a specific topic. While downloading Mechanical Structural Vibrations Theory Applications free PDF files is convenient, it's important to note that copyright laws must be respected. Always ensure that the PDF files you download are legally available for free. Many authors and publishers voluntarily provide free PDF versions of their work, but it's essential to be cautious and verify the authenticity of the source before downloading Mechanical Structural Vibrations Theory Applications. In conclusion, the internet offers numerous platforms and websites that allow users to download free PDF files legally. Whether it's classic literature, research papers, or magazines, there is something for everyone. The platforms mentioned in this article, such as Project Gutenberg, Open Library, Academia.edu, and Issuu, provide access to a vast collection of PDF files. However, users should always be cautious and verify the legality of the source before downloading Mechanical Structural Vibrations Theory Applications any PDF files. With these platforms, the world of PDF downloads is just a click away.

FAQs About Mechanical Structural Vibrations Theory Applications Books

1. Where can I buy Mechanical Structural Vibrations Theory Applications books? Bookstores: Physical bookstores like Barnes & Noble, Waterstones, and independent local stores. Online Retailers: Amazon, Book Depository, and various online bookstores offer a wide range of books in physical and digital formats.
2. What are the different book formats available? Hardcover: Sturdy and durable, usually more expensive. Paperback: Cheaper, lighter, and more portable than hardcovers. E-books: Digital books available for e-readers like Kindle or software like Apple Books, Kindle, and Google Play Books.
3. How do I choose a Mechanical Structural Vibrations Theory Applications book to read? Genres: Consider the genre you enjoy (fiction, non-fiction, mystery, sci-fi, etc.). Recommendations: Ask friends, join book clubs, or explore online reviews and recommendations. Author: If you like a particular author, you might enjoy more of their work.
4. How do I take care of Mechanical Structural Vibrations Theory Applications books? Storage: Keep them away from direct sunlight and in a dry environment. Handling: Avoid folding pages, use bookmarks, and handle them with clean hands. Cleaning: Gently dust the covers and pages occasionally.
5. Can I borrow books without buying them? Public Libraries: Local libraries offer a wide range of books for borrowing. Book Swaps: Community book exchanges or online platforms where people exchange books.
6. How can I track my reading progress or manage my book collection? Book Tracking Apps: Goodreads, LibraryThing,

and Book Catalogue are popular apps for tracking your reading progress and managing book collections. Spreadsheets: You can create your own spreadsheet to track books read, ratings, and other details.

7. What are Mechanical Structural Vibrations Theory Applications audiobooks, and where can I find them? Audiobooks: Audio recordings of books, perfect for listening while commuting or multitasking. Platforms: Audible, LibriVox, and Google Play Books offer a wide selection of audiobooks.
8. How do I support authors or the book industry? Buy Books: Purchase books from authors or independent bookstores. Reviews: Leave reviews on platforms like Goodreads or Amazon. Promotion: Share your favorite books on social media or recommend them to friends.
9. Are there book clubs or reading communities I can join? Local Clubs: Check for local book clubs in libraries or community centers. Online Communities: Platforms like Goodreads have virtual book clubs and discussion groups.
10. Can I read Mechanical Structural Vibrations Theory Applications books for free? Public Domain Books: Many classic books are available for free as they're in the public domain. Free E-books: Some websites offer free e-books legally, like Project Gutenberg or Open Library.

Find Mechanical Structural Vibrations Theory Applications :

mitsubishi delica manual vs automatic

mitsubishi 6d14 alternator diagram

mitsubishi l200 2015 service manual

[mitsubishi chariot 199user guide](#)

mithilak lokdevta maithili children literature

mitel ip phone user manual

mitsubishi carisma 2003

mitsubishi gls service manual

[mitsubishi galant 1997 2003 service repair manual 1998 1999](#)

[mitsubishi colt 1 3 glx 1998 autodata](#)

[mitsubishi fuso fe engine service manual](#)

[mitsubishi diesel engine 4d56t 4d56 service repair manual](#)

[mitsubishi grandis 2007 manual book](#)

mitsubishi colt fto 1973 wiring manual

mit sloan essay advice

Mechanical Structural Vibrations Theory Applications :

28 books pewdiepie recommended read this twice - Jul 07 2022

web apr 22 2004 updated 2022 the most up to date and comprehensive list of 28 verified book recommendations from pewdiepie includes quotes and sources

pewdiepie shelf goodreads - Jan 13 2023

web lists pewds recommended 33 books 1 voter pewdiepie book review 44 books 4 voters pewdiepie s literature club 85 books 155 voters pewdiepie genre new releases and popular books including american psycho by bret easton ellis kafka on the shore by haruki murakami the dice man by l

pewdiepie graphic novel 9781405924047 abebooks - Oct 10 2022

web pewdiepie is the next julius caesar william shakespeare jrr tolkien and taylor swift all in one person this piece will remove world hunger poverty and my virginity fan feedback

this book loves you by pewdiepie goodreads - Sep 21 2023

web oct 20 2015 this book loves you by pewdiepie is a collection of beautifully illustrated inspirational sayings by which you should live your life if you follow each and every one your life will become easier more fabulous more rewarding

pewdiepie projects photos videos logos illustrations and - Jun 06 2022

web pewdiepie creative fields creative fields popular all creative fields architecture art direction branding fashion graphic design illustration industrial design interaction design motion graphics photography ui ux web design alphabetical 3d art 3d modeling 3d motion a advertising advertising photography animation app design apparel ar vr

pewdiepie graphic novel by pewdiepie felix kjellberg - Apr 04 2022

web novel readings au pewdiepie no longer the richest r in the world unilad pewdiepie graphic novel by penguin ic book release pewdiepie graphic novel pewdiepie 9781405932219 at scott pilgrim vs the world pewdiepie graphic novel knihcentrum cz pewdiepie 10 highest earning rs revealed

amazon com this book loves you 9781101999042 pewdiepie - Oct 22 2023

web oct 20 2015 the instant 1 new york times bestseller from the mind of pewdiepie the 1 youtuber in the world with 40 million fans and more than 10 billion views comes this book loves you a collection of beautifully illustrated inspirational thoughts and sayings

pewdiepie graphic novel pewdiepie google books - Jul 19 2023

web bibliographic information title pewdiepie graphic novel author pewdiepie publisher penguin books limited 2017 isbn

1405924047 9781405924047

pewdiepie s literature club 85 books goodreads - Aug 20 2023

web mar 4 2018 listopia pewdiepie s literature club book s talked by felix in his videos starting 2018 playlist with the book reviews youtube playlist flag all votes add books to this list 85 books 155 voters list created march 3rd 2018 by maria votes

pewdiepie books goodreads - Sep 09 2022

web books shelved as pewdiepie american psycho by bret easton ellis kafka on the shore by haruki murakami the dice man by luke rhinehart the sailor who f

pewdiepie open library - Nov 11 2022

web jul 14 2020 pewdiepie graphic novel by pewdiepie first published in 2017 1 edition in 1 language not in library subjects american wit and humor

41 pewdiepie book recommendations bookshop org - Dec 12 2022

web 41 pewdiepie book recommendations

pewdiepie penguin books australia - Feb 14 2023

web pewdiepie pewdiepie com pewdiepie is one of the most popular youtuber s in the world with millions of subscribers generating billions of views he is swedish and lives in brighton pewdiepie was sent to planet earth to dispense wisdom teach us common sense and instruct us in the ancient art of inspirology

43 pewdiepie book recommendations all books most - Apr 16 2023

web not at all the beauty of a book recommendations list is that it allows you to choose books that align with your interests and the time you have available for reading however each book on pewdiepie s list offers a unique insight into his life and personality whether he s acting as a comedian designer a designer educator or simply a book lover

pewdiepie author of this book loves you goodreads - Aug 08 2022

web oct 24 1989 website born as felix arvid ulf kjellberg on 24 october 1989 sweden better known by his online alias pewdiepie is a swedish producer of lets play videos on youtube on 15 august 2013 pewdiepie s channel became the most subscribed channel on youtube being surpassed briefly in november and december 2013 by youtube s

pewdiepie graphic novel pewdiepie 9781405924047 - Jun 18 2023

web pewdiepie graphic novel pewdiepie on amazon com au free shipping on eligible orders pewdiepie graphic novel

pewdiepie book lists goodreads - Mar 15 2023

web 33 books 1 voter lists about pewdiepie s literature club pewdiepie book review and pews recommended

pewdiepie graphic novel pewdiepie 9781405924047 - May 17 2023

web oct 31 2018 join pewdiepie and his beloved dog edgar as they work their way through a series of hilarious and

terrifying encounters in this his first graphic novel

pewdiepie graphic novel by penguin comic book release - May 05 2022

web pewdiepie graphic novel by penguin year 2017 code 9781405924047 language english authors pewdiepie genre graphic novel notes release imported from british library public domain license

pewdiepie lets play tv tropes - Mar 03 2022

web felix arvid ulf kjellberg b october 24 1989 better known as pewdiepie is a swedish youtuber known for his gaming content and comedic formatted videos and shows

diesel engines perkins - Jul 24 2022

web perkins parts catalogue pdf is a digital document or file that contains detailed information and listings of the various parts and components offered by perkins engines perkins

shop by category perkins - Apr 01 2023

web perkins genuine diesel engine parts perkins engines are designed and built to run reliably for years the reason they have such a reputation for quality and durability is that each

service and parts manuals perkins - Aug 05 2023

web service and parts manuals turn the page on how you used to take care of equipment issues through the perkins rental support programme our up to date service

genuine perkins engine parts perkins - Jan 18 2022

parts and service perkins - Jun 03 2023

web for urgent orders we are able to ship parts from our uk warehouse to land in the u s within 48 hours to minimise customers downtime and maximise their productivity and all

parts and service perkins - May 02 2023

web perkins engine parts only perkins has everything you need to keep your perkins diesel engine running efficiently from air systems and filtration to fuel systems gaskets and

perkins engine spare parts catalog - May 22 2022

web the perkins webpage you re looking is not available may we suggest go to epcatalogs com home page or try one of the other brands below noregon

genuine perkins engine parts perkins - Jul 04 2023

web shop here for perkins genuine parts brought to you direct from our ecommerce store with thousands of parts in stock online and available for next day delivery you can now

[perkins engine manuals parts catalogs](#) - Jun 22 2022

web perkins spareparts com is one of the biggest online suppliers and reseller of filters for compressors and spare parts for perkins products it has more than 33 000 spare parts

[easy way to buy perkins parts perkins](#) - Dec 29 2022

web perkins parts the perkins manufactures industrial engines and generators since 1932 in 1970 the company was bought by the caterpillar corporation to date under this brand

[buy genuine perkins accessories perkins](#) - Nov 27 2022

web jun 26 2021 perkins parts catalog perkins 403d 11 engine part catalog 2021 06 26 perkins 404c 22 engine part catalog 2021 06 26 perkins 1104d 44 engine part

[perkins spare parts online shop of perkins filters and spare](#) - Mar 20 2022

web flexible parts ordering order the parts you need when you need them all in one place with real time data on available components smartequip offers procurement catalogue

perkins parts catalog dieselpartdirect com - Sep 25 2022

web perkins engine manuals parts catalogs write and ask brovertek gmail com perkins diesel engines pfd spare parts catalogs service workshop and

[perkins page disabled epcatalogs](#) - Feb 16 2022

web buy parts now preventive maintenance regular maintenance is the best way of ensuring your engine lasts as long as possible there are regular checks that you should carry out

perkins parts online catalog aftermarket genuine perkins - Oct 27 2022

web this catalogue gives you the information you need to support the identification and selection of genuine parts perkins has 80 years of diesel engine expertise using this expertise

genuine parts perkins - Feb 28 2023

web 1200 series 850e series 400d series repair solutions new for old engine reconditioned engine spare parts tier 4 legislation new range motors technical solutions consult

power tk perkins distribütör - Jan 30 2023

web looking for original perkins accessories for your perkins engine buy genuine and direct from perkins for hassle free fast and effective service

get the free perkins parts catalogue pdf form pdffiller - Apr 20 2022

web with thousands of parts in stock online and available for next day delivery you can now service repair or overhaul your perkins engine with the confidence you are using parts

how to purchase genuine parts perkins perkins engines - Nov 15 2021

perkins buy parts online - Oct 07 2023

web shop by category we have everything you need to keep your perkins diesel engine running efficiently from air systems and filtration to fuel systems gaskets and

parts ordering perkins - Dec 17 2021

parts genuine catalogue noordeman diesel - Aug 25 2022

web feb 24 2018 perkins parts catalogue pp3009 2018 02 24 perkins 1106d parts book pj70704 2019 02 21 perkins 1104d 44 engine part catalog 2021 06 26

genuine perkins engine parts perkins international landing - Sep 06 2023

web welcome to perkins parts online by perkins engines the site for genuine perkins parts we do not have an online shop in your country but your local perkins distributor will be

classic chemistry experiments rsc education - Mar 01 2023

web expertly communicate the excitement of chemistry with these time tested classroom practicals these resources have been compiled from the book classic chemistry experiments a collection of 100 chemistry experiments developed with the support of teachers throughout the uk

experiment no 8 chemistry practicals class 12 2022 23 - Apr 21 2022

web experiment no 8 chemistry practicals class 12 2022 23 view presentation slides online i

chemistry project for clas12 topics sample projects - Sep 26 2022

web nov 20 2022 cbse curriculum for class 12 includes investigatory chemistry projects through which the students understand the fundamental theories if you are a 12th class student who is looking forward to preparing an impressive project and need some assistance with it you are just in the right place

experiment no 19 12th chemistry practical book solved with - Jan 31 2023

web feb 1 2022 thank you for watching experiment no 19 study of carbohydrate fat oils and proteins in pure form and detection of their presence in give food stuffs our

cbse class 12 chemistry lab manual learn cbse - Oct 28 2022

web cbse class 12 chemistry lab manual introduction to basic laboratory equipment viva questions with answers surface chemistry exp 2 1 to prepare colloidal solution sol of starch exp 2 2 to prepare a colloidal solution of gum exp 2 3 to prepare colloidal solution or sol of egg albumin

chemistry practical for class 12 lab manual exam feed - Apr 02 2023

web apr 2 2023 the chemistry practical for class 12 lab manual includes several chemistry experiments it is provided in a very well structured way so that students can understand the concepts and perform the practicals of class 12 chemistry along with the chemical reactions processes laws formulas and equations chemistry practical for class 12

online labs for schools developed by amrita vishwa - Jul 05 2023

web physics chemistry biology labs from class 9 to class 12 english and maths lessons for class 9 and 10 interactive simulations animations and lab videos the concepts and understanding of the experiment the ability to perform record and learn experiments anywhere anytime and individualised practice in all areas of experimentation

chemistry practical for class 12 pdf download gkpur - Aug 06 2023

web oct 19 2022 chemistry practical for class 12 if you also study in class xii and want to download the practical file of chemistry you have come to the right place here you will easily find the practical file notes of chemistry

cbse chemistry lab manual class 12 for practical exam byju s - Oct 08 2023

web cbse class 12 chemistry practical consists of volumetric analysis for 8 marks and salt analysis for 8 marks 6 marks for the content based experiment and 4 marks each for the project class record and viva students must aim to get full marks by performing all the experiments and activities listed in the chemistry lab manual class 12

cbse class 12 chemistry practical syllabus 2022 23 pdf - Jun 23 2022

web dec 26 2022 students can easily score good marks in practicals with regular practice and an aware mind students must learn the identification of different chemicals and to perform the experiments

cbse class 12 chemistry practical file record 2021 22 pdf - Sep 07 2023

web aug 22 2021 science practical file record of chemistry with all experiments written for ccbse class 12 2021 2022 cbse class 12 chemistry practical file record 2021 22 1 of 28 cbse class 12 chemistry practical file record 2021 22

chemistry projects for class 12 topics samples and around - Mar 21 2022

web oct 29 2022 chemistry projects for class 12 one of the most significant fields of science chemistry talks about the chemical elements their properties structures behaviors and their reaction with other substances it also articulates atoms ions and molecules and their reactions with other substances to form new substances

widgets close button byju s - May 23 2022

web class 12 chemistry practicals class 11 chemistry practicals class 10 chemistry practicals class 9 chemistry practicals chemistry viva questions with answers the fundamental ideas of each experiment have been discussed for a better understanding the topic is presented in a clear and lucid manner under key headings and subheadings

chemistry practical record full cbse class 12 pdf slideshare - Jul 25 2022

web feb 22 2016 chemistry practical record full cbse class 12 download as a pdf or view online for free

[chemistry practical class 12 understand the concepts better](#) - Nov 28 2022

web nov 3 2023 the cbse class 12 chemistry practical syllabus is divided into two sections a and b section a consists of different experiments that students are required to perform during the practical exam the experiments include topics such as qualitative analysis salt analysis and volumetric analysis

experiments royal society of chemistry rsc education - May 03 2023

web electrolysis of brine in association with nuffield foundation use this colourful practical to introduce students to the electrolysis of brine or sodium chloride solution includes kit list and safety instructions the equilibrium between two coloured cobalt species in association with nuffield foundation

experiment lab manual class 12 pdf selfstudys - Feb 17 2022

web experiment lab manual class 12 here students can get experiment lab manual for class 12 chemistry in pdf format at free of cost apart from this you can be downloaded class 12 chemistry lab manual for experiment with solutions for getting higher marks in practical examinations

cbse class 12 chemistry practicals 2022 collegedunia - Dec 30 2022

web chemistry practical class 12 projects a few of the projects included in the chemistry class 12 practical are study of the presence of oxalate ions in guava fruit at different stages of ripening study of quantity of casein present in different samples of milk

chemistry practical for class 12th pdf scribd - Jun 04 2023

web chemistry practicals for class 12th copyright attribution non commercial by nc available formats download as pdf txt or read online from scribd flag for inappropriate content download now of 19 chemistry practicals class xii

ncert laboratory manual for cbse class 12 chemistry practicals projects - Aug 26 2022

web apr 17 2020 check download free pdf for ncert lab manual for cbse class 12 chemistry and prepare for cbse 12th chemistry practicals board exam 2020 21