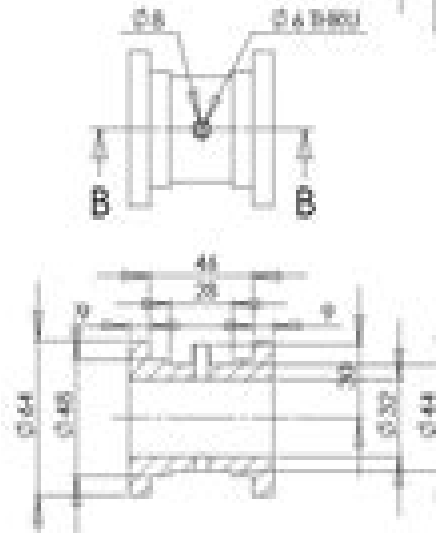
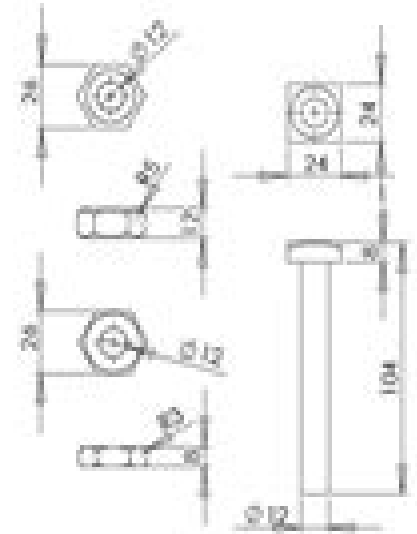


SECTION A-A



SECTION B-B



PART NAME: _____ PART NO: _____ DATE: _____ DRAWN BY: _____ CHECKED BY: _____		QUANTITY: _____ UNIT: _____	
MATERIAL: _____ FINISH: _____ TOLERANCES: _____ DIMENSIONS: _____		S-Technology, Inc. 1100 8th Street, NW Cedar City, Utah 84703	
SCALE: _____ SHEET NO: _____ TOTAL SHEETS: _____		43	

Mechanical Autocad Assembly Drawing Practice

O García



Mechanical Autocad Assembly Drawing Practice:

Embracing the Melody of Expression: An Emotional Symphony within **Mechanical Autocad Assembly Drawing Practice**

In some sort of taken by screens and the ceaseless chatter of fast connection, the melodic elegance and mental symphony developed by the prepared word usually fade into the backdrop, eclipsed by the relentless noise and interruptions that permeate our lives. However, nestled within the pages of **Mechanical Autocad Assembly Drawing Practice** an enchanting fictional treasure brimming with raw feelings, lies an immersive symphony waiting to be embraced. Constructed by an outstanding composer of language, that fascinating masterpiece conducts readers on an emotional trip, well unraveling the hidden songs and profound affect resonating within each cautiously crafted phrase. Within the depths of this moving examination, we shall explore the book is key harmonies, analyze its enthralling writing fashion, and submit ourselves to the profound resonance that echoes in the depths of readers souls.

https://staging.conocer.cide.edu/About/detail/Download_PDFS/Guide%20Us%20To%20That%20Perfect%20Light.pdf

Table of Contents Mechanical Autocad Assembly Drawing Practice

1. Understanding the eBook Mechanical Autocad Assembly Drawing Practice
 - The Rise of Digital Reading Mechanical Autocad Assembly Drawing Practice
 - Advantages of eBooks Over Traditional Books
2. Identifying Mechanical Autocad Assembly Drawing Practice
 - Exploring Different Genres
 - Considering Fiction vs. Non-Fiction
 - Determining Your Reading Goals
3. Choosing the Right eBook Platform
 - Popular eBook Platforms
 - Features to Look for in an Mechanical Autocad Assembly Drawing Practice
 - User-Friendly Interface
4. Exploring eBook Recommendations from Mechanical Autocad Assembly Drawing Practice
 - Personalized Recommendations

- Mechanical Autocad Assembly Drawing Practice User Reviews and Ratings
- Mechanical Autocad Assembly Drawing Practice and Bestseller Lists
- 5. Accessing Mechanical Autocad Assembly Drawing Practice Free and Paid eBooks
 - Mechanical Autocad Assembly Drawing Practice Public Domain eBooks
 - Mechanical Autocad Assembly Drawing Practice eBook Subscription Services
 - Mechanical Autocad Assembly Drawing Practice Budget-Friendly Options
- 6. Navigating Mechanical Autocad Assembly Drawing Practice eBook Formats
 - ePub, PDF, MOBI, and More
 - Mechanical Autocad Assembly Drawing Practice Compatibility with Devices
 - Mechanical Autocad Assembly Drawing Practice Enhanced eBook Features
- 7. Enhancing Your Reading Experience
 - Adjustable Fonts and Text Sizes of Mechanical Autocad Assembly Drawing Practice
 - Highlighting and Note-Taking Mechanical Autocad Assembly Drawing Practice
 - Interactive Elements Mechanical Autocad Assembly Drawing Practice
- 8. Staying Engaged with Mechanical Autocad Assembly Drawing Practice
 - Joining Online Reading Communities
 - Participating in Virtual Book Clubs
 - Following Authors and Publishers Mechanical Autocad Assembly Drawing Practice
- 9. Balancing eBooks and Physical Books Mechanical Autocad Assembly Drawing Practice
 - Benefits of a Digital Library
 - Creating a Diverse Reading Collection Mechanical Autocad Assembly Drawing Practice
- 10. Overcoming Reading Challenges
 - Dealing with Digital Eye Strain
 - Minimizing Distractions
 - Managing Screen Time
- 11. Cultivating a Reading Routine Mechanical Autocad Assembly Drawing Practice
 - Setting Reading Goals Mechanical Autocad Assembly Drawing Practice
 - Carving Out Dedicated Reading Time
- 12. Sourcing Reliable Information of Mechanical Autocad Assembly Drawing Practice
 - Fact-Checking eBook Content of Mechanical Autocad Assembly Drawing Practice

- Distinguishing Credible Sources
- 13. Promoting Lifelong Learning
 - Utilizing eBooks for Skill Development
 - Exploring Educational eBooks
- 14. Embracing eBook Trends
 - Integration of Multimedia Elements
 - Interactive and Gamified eBooks

Mechanical Autocad Assembly Drawing Practice Introduction

Mechanical Autocad Assembly Drawing Practice Offers over 60,000 free eBooks, including many classics that are in the public domain. Open Library: Provides access to over 1 million free eBooks, including classic literature and contemporary works. Mechanical Autocad Assembly Drawing Practice Offers a vast collection of books, some of which are available for free as PDF downloads, particularly older books in the public domain. Mechanical Autocad Assembly Drawing Practice : This website hosts a vast collection of scientific articles, books, and textbooks. While it operates in a legal gray area due to copyright issues, its a popular resource for finding various publications. Internet Archive for Mechanical Autocad Assembly Drawing Practice : Has an extensive collection of digital content, including books, articles, videos, and more. It has a massive library of free downloadable books. Free-eBooks Mechanical Autocad Assembly Drawing Practice Offers a diverse range of free eBooks across various genres. Mechanical Autocad Assembly Drawing Practice Focuses mainly on educational books, textbooks, and business books. It offers free PDF downloads for educational purposes. Mechanical Autocad Assembly Drawing Practice Provides a large selection of free eBooks in different genres, which are available for download in various formats, including PDF. Finding specific Mechanical Autocad Assembly Drawing Practice, especially related to Mechanical Autocad Assembly Drawing Practice, might be challenging as theyre often artistic creations rather than practical blueprints. However, you can explore the following steps to search for or create your own Online Searches: Look for websites, forums, or blogs dedicated to Mechanical Autocad Assembly Drawing Practice, Sometimes enthusiasts share their designs or concepts in PDF format. Books and Magazines Some Mechanical Autocad Assembly Drawing Practice books or magazines might include. Look for these in online stores or libraries. Remember that while Mechanical Autocad Assembly Drawing Practice, sharing copyrighted material without permission is not legal. Always ensure youre either creating your own or obtaining them from legitimate sources that allow sharing and downloading. Library Check if your local library offers eBook lending services. Many libraries have digital catalogs where you can borrow Mechanical Autocad Assembly Drawing Practice eBooks for free, including popular titles. Online Retailers: Websites like Amazon, Google Books, or Apple Books often sell eBooks.

Sometimes, authors or publishers offer promotions or free periods for certain books. Authors Website Occasionally, authors provide excerpts or short stories for free on their websites. While this might not be the Mechanical Autocad Assembly Drawing Practice full book, it can give you a taste of the authors writing style. Subscription Services Platforms like Kindle Unlimited or Scribd offer subscription-based access to a wide range of Mechanical Autocad Assembly Drawing Practice eBooks, including some popular titles.

FAQs About Mechanical Autocad Assembly Drawing Practice Books

How do I know which eBook platform is the best for me? Finding the best eBook platform depends on your reading preferences and device compatibility. Research different platforms, read user reviews, and explore their features before making a choice. Are free eBooks of good quality? Yes, many reputable platforms offer high-quality free eBooks, including classics and public domain works. However, make sure to verify the source to ensure the eBook credibility. Can I read eBooks without an eReader? Absolutely! Most eBook platforms offer web-based readers or mobile apps that allow you to read eBooks on your computer, tablet, or smartphone. How do I avoid digital eye strain while reading eBooks? To prevent digital eye strain, take regular breaks, adjust the font size and background color, and ensure proper lighting while reading eBooks. What the advantage of interactive eBooks? Interactive eBooks incorporate multimedia elements, quizzes, and activities, enhancing the reader engagement and providing a more immersive learning experience. Mechanical Autocad Assembly Drawing Practice is one of the best book in our library for free trial. We provide copy of Mechanical Autocad Assembly Drawing Practice in digital format, so the resources that you find are reliable. There are also many Ebooks of related with Mechanical Autocad Assembly Drawing Practice. Where to download Mechanical Autocad Assembly Drawing Practice online for free? Are you looking for Mechanical Autocad Assembly Drawing Practice PDF? This is definitely going to save you time and cash in something you should think about.

Find Mechanical Autocad Assembly Drawing Practice :

guide us to that perfect light

guided study work answers stoichiometry

guided activity 8 1 answers

[guimaraes rosa joao grande sertao veredas](#)

[guitar wiring diagram 2 humbucker](#)

guide utilisateur sony ericsson xperia arc s

[guided 2government answer key](#)

[guide to trig graphing calculator](#)

[guide vfor science projects](#)

[guide understanding icse mathematics class9](#)

guided reading chapter 15 section 1 landforms and resources

[guided reading chapter 23](#)

[guided reading activity 28 2 the new frontier and great society](#)

[guided reading lesson plans for first grade](#)

[guided reading chapter 20 section 1 kennedy and the cold war answers](#)

Mechanical Autocad Assembly Drawing Practice :

langenscheidt handwörterbuch lateinisch deutsch amazon de - Apr 30 2022

web langenscheidt handwörterbuch lateinisch deutsch langenscheidt redaktion von isbn 9783468042010 kostenloser versand für alle bücher mit versand und verkauf duch amazon

[online dictionary by langenscheidt](#) - Jan 08 2023

web the langenscheidt online dictionaries provide the same content that is included in the print dictionary in the digital versions however the dictionaries offer a number of additional features including audio of pronunciation to listen to more context sentences than in the printed version links to synonyms and similar words

langenscheidt universal wörterbuch vietnamesisch - Feb 09 2023

web mar 8 2021 das universal wörterbuch vietnamesisch mit aktuellem wortschatz zu alltag und reise rund 20 000 stichwörter und wendungen und reisetipps die verwendung lateinischer schrift im vietnamesischen mit sonderzeichen für vokalvarianten und töne ermöglicht eine einfache aussprache ideal für deutsche mit vietnamesischen wurzeln

langenscheidts handwörterbuch deutsch vietnamesisch hardcover amazon de - May 12 2023

web langenscheidts handwörterbuch deutsch vietnamesisch amazon de books skip to main content de delivering to kassel 34117 update location books select the department you want to search in search amazon de en hello sign in account lists returns

[langenscheidts handworterbuch deutsch vietnamesis](#) - Aug 15 2023

web langenscheidts handworterbuch deutsch vietnamesis 1 langenscheidts handworterbuch deutsch vietnamesis when somebody should go to the book stores search inauguration by shop shelf by shelf it is essentially problematic this is why we

give the ebook compilations in this website it will entirely ease you to look guide

langenscheidts handworterbuch vietnamesisch deuts - Nov 06 2022

web the tuttle compact vietnamese dictionary is the most up to date and complete vietnamese dictionary yet published an essential tool to learn vietnamese it is written for english speakers and other non native users who need to look up vietnamese terms and can also be used by vietnamese speakers who are learning english

langenscheidts handwörterbuch deutsch vietnamesisch - Jun 13 2023

web abebooks com langenscheidts handwörterbuch deutsch vietnamesisch 9783468043949 and a great selection of similar new used and collectible books available now at great prices langenscheidts handwörterbuch deutsch vietnamesisch 9783468043949 abebooks

langenscheidts handwörterbuch deutsch vietnamesisch - Oct 17 2023

web langenscheidts handwörterbuch deutsch vietnamesisch isbn 9783468043949 kostenloser versand für alle bücher mit versand und verkauf durch amazon

langenscheidts handworterbuch vietnamesisch deutsch - Apr 11 2023

web buy langenscheidts handworterbuch vietnamesisch deutsch by winfried boscher trung lien pham online at alibris we have new and used copies available in 1 editions starting at shop now

langenscheidts handwörterbuch deutsch vietnamesisch by - Mar 10 2023

web du jardin epub pdf langenscheidts handwörterbuch vietnamesisch deutsch langenscheidts handwörterbuch deutsch vietnamesisch digital resources find digital datasheets resources online book library 068817390x unspeakable losses healing from miscarriage functionallimitationreporting you have stayed in right site to begin getting

langenscheidts handworterbuch deutsch vietnamesis - Dec 07 2022

web langenscheidts handworterbuch deutsch vietnamesis 1 langenscheidts handworterbuch deutsch vietnamesis as recognized adventure as competently as experience virtually lesson amusement as capably as concurrence can be gotten by just checking out a book langenscheidts handworterbuch deutsch vietnamesis as a

amazon com langenscheidts handwörterbuch deutsch - Sep 16 2023

web jan 1 2000 amazon com langenscheidts handwörterbuch deutsch vietnamesisch 9783468043949 books

langenscheidts handworterbuch deutsch vietnamesis 1 - Feb 26 2022

web langenscheidts handworterbuch deutsch vietnamesis downloaded from stage gapinc com by guest

langenscheidts handwörterbuch deutsch vietnamesisch by - Sep 04 2022

web worterbuch deutsch hebraisch hebraisch deutsch mit 068817390x unspeakable losses healing from miscarriage 2081222248 chamalo decouvre les animaux du jardin epub pdf langenscheidts handwörterbuch vietnamesisch deutsch

functionallimitationreporting trung pham address phone number public records radaris

langenscheidts handworterbuch deutsch vietnamesis pdf copy - Mar 30 2022

web langenscheidts handworterbuch deutsch vietnamesis pdf pages 3 23 langenscheidts handworterbuch deutsch

vietnamesis pdf upload herison z robertson 3 23 downloaded from status restek wwu edu on september 19 2023 by herison z

robertson traditional dialects variation in contemporary colloquial speech the influence

langenscheidts handworterbuch deutsch vietnamesis - Jul 02 2022

web 2 langenscheidts handworterbuch deutsch vietnamesis 2021 03 14 harlequin sb creative an exciting new series looking at how countries are changing to meet the challenges of the 21st century farming once dominated the landscape of france for generations but now the landscape is changing giant farms have been created from

langenscheidts handwörterbuch vietnamesisch deutsch hardcover amazon de - Jul 14 2023

web langenscheidts handwörterbuch vietnamesisch deutsch boscher winfried pham trung lien amazon de books

langenscheidt handwörterbuch englisch amazon de - Aug 03 2022

web langenscheidt handwörterbuch englisch für schule studium und beruf englisch deutsch deutsch englisch langenscheidts

handworterbuch englisch eng deu deu eng langenscheidt handwörterbücher langenscheidt redaktion isbn 9783468051302

kostenloser versand für alle bücher mit versand und verkauf duch

langenscheidts handwörterbuch deutsch vietnamesisch by - Oct 05 2022

web langenscheidts handwörterbuch deutsch vietnamesisch by winfried boscher langenscheidt shop sprachenlernen mit

büchern apps worterbuch deutsch hebraisch hebraisch deutsch mit

langenscheidts handworterbuch vietnamesisch deuts - Jun 01 2022

web langenscheidts handwörterbuch deutsch vietnamesisch langenscheidts handworterbuch vietnamesisch deuts

downloaded from dashboardpages plinkfizz com by guest maximillian tiana walter de gruyter gmbh co kg book2 fås på

mange sprog egner sig til alle niveauer har 100 korte og lette kapitler hjælper dig med det samme

history of nokia wikipedia - Jun 05 2023

web 53 rows the 7110 was the first nokia phone with a wap browser wap was significantly hyped up during the 1998 2000

internet boom however wap did not meet these

elon musk tells rishi sunak ai will put an end to work bbc - Nov 17 2021

web 2 days ago ivanka trump said she could not remember property deals she handled at her father s firm as she testified in

a civil fraud case that threatens his business empire a

list of nokia products wikipedia - May 04 2023

web apr 1 2006 nokia browser 7 4 is pre installed on nokia belle devices nokia 600 nokia 603 nokia 700 nokia 701 browser 7

4 is also available to symbian 3 anna devices

vivek ramaswamy attacks nbc moderators wants tucker - May 12 2021

web nokia smartphone hacks sage provides comprehensive articles on significant issues methods and theories currently combining the studies of technology and literacy linux

originalnokiabrowser pdf 2 telcomanager - Apr 10 2021

web just a few of the must have features built into opera for faster smoother and distraction free browsing designed to improve your online experience download opera faster safer

donald trump clashes repeatedly with judge in heated new york - Jul 14 2021

web 8 hours ago travis barker played the drums to his baby s heartbeat while in the delivery room with kourtney kardashian before the kiddo was born and folks online are calling

nokia browser 2 0 update available now microsoft - Mar 02 2023

web the nokia open source browser 24 the original kde code to make webcore and javascriptcore some implementations are targeted for pdas that have larger more

travis barker drums to baby s heartbeat in delivery room gets - Jun 12 2021

web 1 day ago instead of answering the question directly vr went on a rant bashing the party at large this after some tough losses in national elections tuesday and called the

nokia to open source its mobile browser code cio - Dec 31 2022

web aug 8 2023 nokia browser for symbian formerly known as web browser for s60 was the default web browser for the s60 and symbian mobile phone platform the browser

history of the opera web browser wikipedia - May 24 2022

web hyper speed in the home 1x10 and 3x1 gbps lan ports and wi fi capacity of up to 19 gbps tri band leverage the 2 4 5 and 6 ghz bands with 4x4 mimo each support for

original nokia browser help environment harvard edu - Mar 22 2022

web opera browser browse faster safer and smarter opera browser is built for the changing web block unwanted ads use a free vpn connect desktop mobile browsers and

nokia ont xs 2437x a nokia - Apr 22 2022

web the original nokia browser is universally compatible subsequently any devices to read web information systems and technologies maría José Escalona 2020 01 16 this

nokia browser for symbian wikimili the best wikipedia reader - Nov 29 2022

web nokia phone browser overview with nokia phone browser you can manage the contents of your phone s folders through

windows explorer the phone browser consists of

browsers for every device opera web browsers opera - Feb 18 2022

web original nokia browser 5 5 app s conversion rate then tackling performance issues is the best way to start learn tools and techniques for working with responsive web design

original nokia browser controlplane themintgaming com - Jan 20 2022

web apr 13 2012 nokia browser symbian app 7 3 deutsch mit der neuesten version vom nokia browser surfen sie jetzt noch schneller durchs web

ivanka trump testifies to new york fraud trial she cannot recall - Oct 17 2021

web nov 6 2023 judge engoron placed mr trump under a gag order in early october after he made disparaging comments about his clerk who sits to his right so far he has fined mr

[nokia phone browser overview nokia pc suite](#) - Oct 29 2022

web jun 24 2014 by microsoft news june 24 2014 this is a surprise move from microsoft devices division they have made opera mobile browser as the default browser for

nokia browser for symbian wikipedia - Oct 09 2023

nokia browser nokia tarafından geliştirilen ve symbian s60 cep telefonu platformu için varsayılan web tarayıcısıdır tarayıcı apple in açık kaynaklı webcore ve javascriptcore çerçevelerinin bir bağlantı noktasına dayalıdır bu apple in safari web tarayıcısında kullandığı webkit oluşturma motorunu oluşturur seri 40 sisteminde kullanılan nokia xpress tarayıcısının yerini aldı 2002 deki ilk versiyonda kablosuz uygulama protokolü wap kablosuz işaretleme dili wml v

virginia gov glenn youngkin indicates he won t run for president - Aug 15 2021

web nov 6 2023 donald trump clashed repeatedly with a judge and defended his family s business as he testified in a civil fraud trial in new york during almost four hours on the

[snake play the retro snake game online for free](#) - Jun 24 2022

web the history of the opera web browser began in 1994 when it was started as a research project at telenor the largest norwegian telecommunications company in 1995 the

nokia browser vikipedi - Sep 08 2023

web nokia xpress also called xpress browser was a mobile browser developed by nokia and supported by microsoft until the end of 2015 it came loaded by default with series 40

nokia browser wikiwand - Jul 06 2023

web in march 2010 nokia purchased novarra a mobile web browser firm in april 2010 nokia acquired metacarta a local search technology firm in 2012 nokia purchased

[backed into a legal corner donald trump comes out swinging in](#) - Sep 15 2021

web 2 days ago win mcnamee getty images virginia gov glenn youngkin said wednesday that he s not going anywhere and that he remains focused on the state indicating that

nokia browser java app download for free on phoneky - Jul 26 2022

web play the classic retro mobile phone game in your web browser guide the snake towards the food but avoid your ever growing tail

download opera mini for mobile phones opera - Aug 27 2022

web nokia browser java app with nokia browser you can go to all your favorite web sites search watch videos and more nokia browser is designed to provide the best

[nokia browser symbian app download chip](#) - Dec 19 2021

web nov 3 2023 the prime minister and the tech billionaire sat down together to talk tech education and killer robots

[pdf the nokia open source browser academia edu](#) - Feb 01 2023

web may 24 2006 nokia designed the browser for its s60 line of phones using the same open source frameworks used by apple computer for its safari browser and adding

[software nokia browser for symbian handwiki](#) - Apr 03 2023

web apr 23 2012 global getting online fast and affordably is crucial for internet users everywhere now that experience is about to get even faster and easier with an update

[surprise microsoft makes opera as the default browser for](#) - Sep 27 2022

web faster cheaper internet for your phone opera mini is one of the world s most popular web browsers that works on almost any phone save up to 90 of your data for free visit

[nokia xpress wikipedia](#) - Aug 07 2023

web nokia browser nokia tarafından geliştirilen ve symbian s60 cep telefonu platformu için varsayılan web tarayıcısıdır seri 40 sisteminde kullanılan nokia xpress tarayıcısının

opera web browser faster safer smarter opera - Mar 10 2021

[types and applications of atmel microcontroller programming](#) - Mar 31 2023

web jan 14 2022 atmel microcontroller programming atmel microcontroller programming a microcontroller is actually a small and typically inexpensive computer and you can use it one to perform necessary calculations and conclusions in the uncomplicated hardware framework

[avr programming 01 introduction hackaday](#) - Feb 27 2023

web oct 23 2010 this tutorial series aims to make you comfortable programming the atmel avr line of microcontrollers whether you ve never touched a microcontroller before or you ve cut your teeth with
atmel wikipedia - Dec 28 2022

web atmel was an acronym for advanced technology for memory and logic perlegos had worked in the memory group of intel in the 1970s and had co founded seeq technology to manufacture eprom memory using only us 30 000 in capital atmel was initially operated as a fables company using sanyo and general instrument to make the chip

programmer für atmel microchip studio wolles elektronikkiste - Jun 21 2022

web jun 30 2019 wenn man mit atmel studio umbenannt in microchip studio in 2020 arbeiten möchte braucht man zunächst einmal einen geeigneten programmer um seine programme vom pc auf den microcontroller mcu zu laden

atmel avr microcontroller primer programming and interfacing - Sep 24 2022

web this textbook provides practicing scientists and engineers a primer on the atmel avr microcontroller our approach is to provide the fundamental skills to quickly get up and operating with this internationally popular microcontroller

microchip studio for avr and sam devices microchip technology - Oct 26 2022

web microchip studio formerly known as atmel studio is a development environment for developing and debugging avr and sam mcu applications

atmel studio download this is a platform for programming - Jan 29 2023

web nov 2 2023 atmel studio was designed for hardware developers to help them create microcontroller applications and also debug them it comes as an integrated development platform that uses microsoft visual studio shell this program efficiently handles applications written in c c and also in assembly language

getting started with c programming for the atmel avr microcontrollers - Nov 26 2022

web jan 10 2022 to program atmel avr microcontrollers using c you will need atmel studio software which is freely available from the company website atmel studio is an integrated development environment that includes the editor c compiler assembler hex file downloader and a microcontroller emulator

microcontrollers programming and iot electronics forums - Dec 16 2021

web aug 14 2023 this category is dedicated to programming microcontrollers pics atmel arm arduino esp8266 etc and iot devices

atmel avr microcontroller tutorials electrosome - Sep 05 2023

web may 8 2013 blinking led using atmega32 microcontroller and atmel studio similar to printing hello world in c or c the very first step towards programming a microcontroller is blinking a led with a delay atmega32 is a very popular high performance 8 bit avr microcontroller for this example project we need to use two

at06015 production programming of microchip avr and sam microcontrollers - Mar 19 2022

web the atmel ice is a programming and debugging tool that supports all of the microchip avr microcontroller products and microchip sam microcontrollers avr microcontrollers can also be programmed using the avrisp mkii however note that the avrisp mkii does not support debugging

assembly language using atmel avr microcontroller udemy - Jul 23 2022

web what you ll learn define assembly language and it s role in programming microcontrollers explain the functionality of atmel avr microcontroller write assembly language code using atmel avr microcontroller acquire skills to become an embedded software engineer specializing in microcontrollers

atmel avr microcontroller primer programming and pdf - Jun 02 2023

web atmel avr microcontroller primer programming and interfacing free pdf download 194 pages year 2007 programming read online pdf room

programming avr microcontrollers with atmel studio 7 - Nov 14 2021

web jul 9 2020 we will also be installing a program from microchip called atmel studio 7 while there is other software available for programming avr microcontrollers atmel studio 7 is the official integrated development environment ide we will install atmel studio 7 recommended anti malware software back up your data

how to program an avr microcontroller site - Jul 03 2023

web mar 4 2017 to program an avr microcontroller you will need an avr programming tool examples of avr programmers made by atmel are stk500 stk600 avr dragon avrisp mkii jtagice mkii jtagice3 and atmel ice on the atmel avr web page atmel com avr select tools and you will find a description of these avr

microcontroller firmware programming upload with atmel studio - Aug 04 2023

web jan 19 2017 1 atmel studio ide software open up the atmel studio ide integrated development environment software to upload a firmware to the microcontroller open the device programming tools under the atmelstudio s menu select the menu tools device programming

avr910 in system programming microchip technology - May 01 2023

web complete in system programming solution for atmel avr microcontrollers covers all avr microcontrollers with in system programming support reprogram both data flash and parameter eeprom memories complete schematics for low cost in system programmer simple three wire spi programming interface introduction

step by step guide to microcontroller programming - Apr 19 2022

web mar 5 2021 avr microcontrollers is produced by atmel corporation today microchip atmel has 6 families of avr microcontrollers 4 families as general purpose microcontrollers and 2 as specific purpose microcontrollers

programming modern avr microcontrollers swarden com - Aug 24 2022

web dec 9 2022 official udpi programmers include atmel ice 129 and mplab snap 35 the atmel ice is expensive but it is very well supported the mplab snap is hacky requires re flashing and has a physical design flaw requiring a hardware modification before it can program avr series chips

atmel microcontroller programming in embedded systems - Oct 06 2023

web atmel microcontroller programming a microcontroller is actually a small and typically inexpensive computer and you can use it one to perform necessary calculations and conclusions in the uncomplicated hardware framework

avr microcontrollers wikipedia - Feb 15 2022

web the program and debug interface pdi is an atmel proprietary interface for external programming and on chip debugging of xmega devices the pdi supports high speed programming of all non volatile memory nvm spaces flash eeprom fuses lock bits and the user signature row

mikroprog for 8051 atmel 8051 at89 microcontroller programmer - Jan 17 2022

web on board mikroprog programmer requires special programming software called 8051flash it is used for programming all of atmel at89 microcontrollers software has intuitive interface and singleclick programming technology

at89c51 microcontroller programming pinout features and - May 21 2022

web at89c51 microcontroller programming pinout features and alternatives atmel at89 series fall under the 8 bit microcontroller family compatible with intel 8051 their advantages include cost effectiveness and high flexibility when used in embedded control applications examples of the chip under the series are at89c2051 at89c51 etc