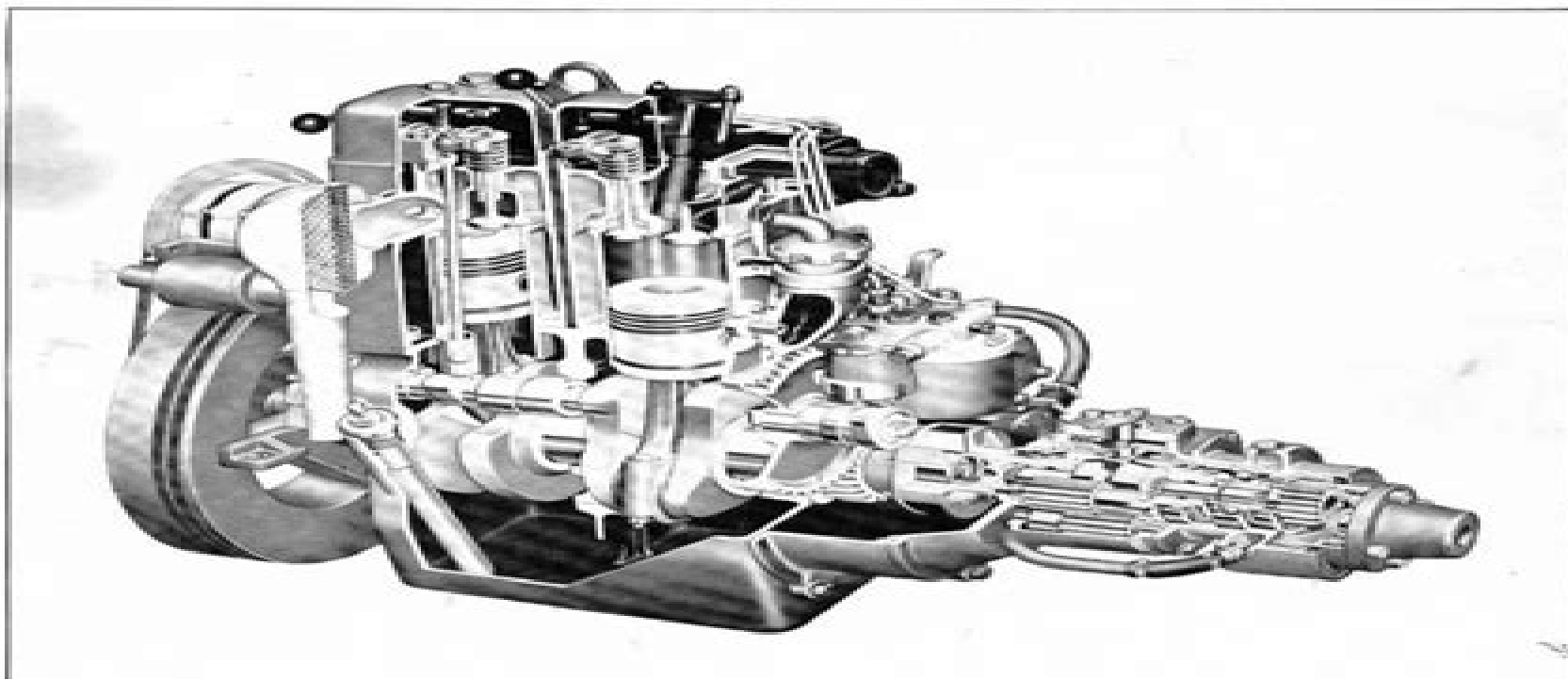


Publ. No. 2668  
Dec. 1972

# WORKSHOP MANUAL MD1B-MD2B-MD3B marine diesel engines



# Md3b Owners Manual

**Helming**



**Md3b Owners Manual:**

**Volvo Penta Service and Overhaul Manual** A. T. Burgess,1994      **Cruising World** ,1980-01      **Cruising World** ,  
*Cruising World* ,      Practical Boat Buying Practical Sailor Editors,1996      *Volvo Penta Service & Overhaul Manual* Alan  
T. Burgess,1976      Pennsylvania Business Directory, 2001 American Business Directories Staff,Richard Rudisill,2000-12  
*Owners manual* Chrysler Corporation,1953      *2013 Dodge Challenger Owner Manual Compatible with OEM Owners*  
*Manual, Factory Glovebox Book* Helming,2013-06-05      **2015 Chrysler Town & County OEM Owner Manual**  
**Compatible with OEM Owners Manual, Factory Glovebox Book** Helming,2015-04-22

## Enjoying the Tune of Term: An Psychological Symphony within **Md3b Owners Manual**

In a global used by screens and the ceaseless chatter of instant connection, the melodic beauty and emotional symphony produced by the published term frequently diminish in to the background, eclipsed by the persistent noise and distractions that permeate our lives. Nevertheless, situated within the pages of **Md3b Owners Manual** a charming fictional value brimming with organic emotions, lies an immersive symphony waiting to be embraced. Crafted by an elegant composer of language, this charming masterpiece conducts readers on a mental trip, skillfully unraveling the concealed songs and profound impact resonating within each carefully constructed phrase. Within the depths of the touching review, we shall investigate the book is main harmonies, analyze its enthralling writing fashion, and submit ourselves to the profound resonance that echoes in the depths of readers souls.

[https://staging.conocer.cide.edu/public/uploaded-files/Documents/Jung\\_On\\_Mythology.pdf](https://staging.conocer.cide.edu/public/uploaded-files/Documents/Jung_On_Mythology.pdf)

### **Table of Contents Md3b Owners Manual**

1. Understanding the eBook Md3b Owners Manual
  - The Rise of Digital Reading Md3b Owners Manual
  - Advantages of eBooks Over Traditional Books
2. Identifying Md3b Owners Manual
  - Exploring Different Genres
  - Considering Fiction vs. Non-Fiction
  - Determining Your Reading Goals
3. Choosing the Right eBook Platform
  - Popular eBook Platforms
  - Features to Look for in an Md3b Owners Manual
  - User-Friendly Interface
4. Exploring eBook Recommendations from Md3b Owners Manual
  - Personalized Recommendations

- Md3b Owners Manual User Reviews and Ratings
- Md3b Owners Manual and Bestseller Lists
- 5. Accessing Md3b Owners Manual Free and Paid eBooks
  - Md3b Owners Manual Public Domain eBooks
  - Md3b Owners Manual eBook Subscription Services
  - Md3b Owners Manual Budget-Friendly Options
- 6. Navigating Md3b Owners Manual eBook Formats
  - ePub, PDF, MOBI, and More
  - Md3b Owners Manual Compatibility with Devices
  - Md3b Owners Manual Enhanced eBook Features
- 7. Enhancing Your Reading Experience
  - Adjustable Fonts and Text Sizes of Md3b Owners Manual
  - Highlighting and Note-Taking Md3b Owners Manual
  - Interactive Elements Md3b Owners Manual
- 8. Staying Engaged with Md3b Owners Manual
  - Joining Online Reading Communities
  - Participating in Virtual Book Clubs
  - Following Authors and Publishers Md3b Owners Manual
- 9. Balancing eBooks and Physical Books Md3b Owners Manual
  - Benefits of a Digital Library
  - Creating a Diverse Reading Collection Md3b Owners Manual
- 10. Overcoming Reading Challenges
  - Dealing with Digital Eye Strain
  - Minimizing Distractions
  - Managing Screen Time
- 11. Cultivating a Reading Routine Md3b Owners Manual
  - Setting Reading Goals Md3b Owners Manual
  - Carving Out Dedicated Reading Time
- 12. Sourcing Reliable Information of Md3b Owners Manual
  - Fact-Checking eBook Content of Md3b Owners Manual

- Distinguishing Credible Sources
- 13. Promoting Lifelong Learning
  - Utilizing eBooks for Skill Development
  - Exploring Educational eBooks
- 14. Embracing eBook Trends
  - Integration of Multimedia Elements
  - Interactive and Gamified eBooks

### **Md3b Owners Manual Introduction**

Free PDF Books and Manuals for Download: Unlocking Knowledge at Your Fingertips In today's fast-paced digital age, obtaining valuable knowledge has become easier than ever. Thanks to the internet, a vast array of books and manuals are now available for free download in PDF format. Whether you are a student, professional, or simply an avid reader, this treasure trove of downloadable resources offers a wealth of information, conveniently accessible anytime, anywhere. The advent of online libraries and platforms dedicated to sharing knowledge has revolutionized the way we consume information. No longer confined to physical libraries or bookstores, readers can now access an extensive collection of digital books and manuals with just a few clicks. These resources, available in PDF, Microsoft Word, and PowerPoint formats, cater to a wide range of interests, including literature, technology, science, history, and much more. One notable platform where you can explore and download free Md3b Owners Manual PDF books and manuals is the internet's largest free library. Hosted online, this catalog compiles a vast assortment of documents, making it a veritable goldmine of knowledge. With its easy-to-use website interface and customizable PDF generator, this platform offers a user-friendly experience, allowing individuals to effortlessly navigate and access the information they seek. The availability of free PDF books and manuals on this platform demonstrates its commitment to democratizing education and empowering individuals with the tools needed to succeed in their chosen fields. It allows anyone, regardless of their background or financial limitations, to expand their horizons and gain insights from experts in various disciplines. One of the most significant advantages of downloading PDF books and manuals lies in their portability. Unlike physical copies, digital books can be stored and carried on a single device, such as a tablet or smartphone, saving valuable space and weight. This convenience makes it possible for readers to have their entire library at their fingertips, whether they are commuting, traveling, or simply enjoying a lazy afternoon at home. Additionally, digital files are easily searchable, enabling readers to locate specific information within seconds. With a few keystrokes, users can search for keywords, topics, or phrases, making research and finding relevant information a breeze. This efficiency saves time and effort, streamlining the learning process and allowing individuals to focus on extracting the information they

need. Furthermore, the availability of free PDF books and manuals fosters a culture of continuous learning. By removing financial barriers, more people can access educational resources and pursue lifelong learning, contributing to personal growth and professional development. This democratization of knowledge promotes intellectual curiosity and empowers individuals to become lifelong learners, promoting progress and innovation in various fields. It is worth noting that while accessing free Md3b Owners Manual PDF books and manuals is convenient and cost-effective, it is vital to respect copyright laws and intellectual property rights. Platforms offering free downloads often operate within legal boundaries, ensuring that the materials they provide are either in the public domain or authorized for distribution. By adhering to copyright laws, users can enjoy the benefits of free access to knowledge while supporting the authors and publishers who make these resources available. In conclusion, the availability of Md3b Owners Manual free PDF books and manuals for download has revolutionized the way we access and consume knowledge. With just a few clicks, individuals can explore a vast collection of resources across different disciplines, all free of charge. This accessibility empowers individuals to become lifelong learners, contributing to personal growth, professional development, and the advancement of society as a whole. So why not unlock a world of knowledge today? Start exploring the vast sea of free PDF books and manuals waiting to be discovered right at your fingertips.

### **FAQs About Md3b Owners Manual Books**

How do I know which eBook platform is the best for me? Finding the best eBook platform depends on your reading preferences and device compatibility. Research different platforms, read user reviews, and explore their features before making a choice. Are free eBooks of good quality? Yes, many reputable platforms offer high-quality free eBooks, including classics and public domain works. However, make sure to verify the source to ensure the eBook credibility. Can I read eBooks without an eReader? Absolutely! Most eBook platforms offer web-based readers or mobile apps that allow you to read eBooks on your computer, tablet, or smartphone. How do I avoid digital eye strain while reading eBooks? To prevent digital eye strain, take regular breaks, adjust the font size and background color, and ensure proper lighting while reading eBooks. What the advantage of interactive eBooks? Interactive eBooks incorporate multimedia elements, quizzes, and activities, enhancing the reader engagement and providing a more immersive learning experience. Md3b Owners Manual is one of the best book in our library for free trial. We provide copy of Md3b Owners Manual in digital format, so the resources that you find are reliable. There are also many Ebooks of related with Md3b Owners Manual. Where to download Md3b Owners Manual online for free? Are you looking for Md3b Owners Manual PDF? This is definitely going to save you time and cash in something you should think about.

## Find Md3b Owners Manual :

*jung on mythology*

*just listen*

*jump-start pre-k letter games*

just war against terror the burden of american power in a violent world

just between us daily thoughts for busy parents

**just a matter of time g k hall nightingale series**

*jump the shark 2004 day-to-day calendar calendar by hein jon*

jumpin39 jim39s the bari best 30 baritone ukulele arrangements

junior golf an instructional for beginning players ages 8-18

jules laforgue essays on a poets life

junie b. first grader

just so stories dodo press

*junior voiceworks & cd*

**june 29 what your birth date reveals about you**

just bears

## Md3b Owners Manual :

**bloc notes tunisie vente bloc note et fourniture de** - Feb 28 2023

web vente bloc note en tunisie un bloc note ou notebook est très pratique pour écrire rapidement vos notes contact ou idées facile à transporter et à utiliser à tous moment

*tunisie forever magnifique cahier de notes carnet de note* - Aug 05 2023

web magnifique cahier de notes carnet de note pour écrire tous vos projets vos recettes vos listes de choses à faire ou autres une belle idée de cadeau pour les tunisienne 15 2 x

**tunisie forever magnifique cahier de notes carnet copy** - Jun 22 2022

web may 4 2023 tunisie forever magnifique cahier de notes carnet 2 9 downloaded from uniport edu ng on may 4 2023 by guest memory spatial memory imagery and

**cahier vente fourniture scolaire en tunisie à bas prix synotec** - Jan 30 2023

web cahier vente fourniture scolaire en tunisie à bas prix synotec accueil scolaire cahier en stock en rupture de stock 1 000



28 000

[tunisie forever magnifique cahier de notes carnet pdf](#) - Sep 06 2023

web oct 7 2023 tunisie forever magnifique cahier de notes carnet tunisie forever magnifique cahier de notes carnet 2  
downloaded from backoffice ceu social on 2020

[tunisie forever magnifique cahier de notes carnet anais](#) - Aug 25 2022

web tunisie forever magnifique cahier de notes carnet is comprehensible in our digital library an online admission to it is set  
as public hence you can download it instantly our

[cahier feuille fourniture de bureau bureautique](#) - Apr 01 2023

web cahier de dessin omega nombre de feuilles 16 feuilles format papier 17 x 22 cm reliure piqûre réglure 10 10 dimensions  
17 x 22 cm livraison gratuite à partir de

[tunisie forever magnifique cahier de notes carnet uniport edu](#) - Jul 24 2022

web tunisie forever magnifique cahier de notes carnet 1 9 downloaded from uniport edu ng on august 11 2023 by guest  
tunisie forever magnifique cahier de notes carnet

**tunisie forever magnifique cahier de notes carnet** - Oct 27 2022

web 2 tunisie forever magnifique cahier de notes carnet 2021 12 27 tunisie forever magnifique cahier de notes carnet  
downloaded from admin store motogp com by

[tunisie forever magnifique cahier de notes carnet pdf](#) - Jan 18 2022

web jun 5 2023 install the tunisie forever magnifique cahier de notes carnet it is very easy then in the past currently we  
extend the partner to buy and create bargains to download

**tunisie forever magnifique cahier de notes carnet de note** - Jul 04 2023

web magnifique cahier de notes carnet de note pour écrire tous vos projets vos recettes vos listes de choses à faire ou autres  
une belle idée de cadeau pour les tunisienne 15 2 x

**tunisie forever magnifique cahier de notes carnet** - Nov 27 2022

web aug 10 2023 below as skillfully as evaluation tunisie forever magnifique cahier de notes carnet what you with to read  
the pictorial encyclopedia of fashion ludmila

**tunisie forever magnifique cahier de notes carnet** - May 22 2022

web tunisie forever magnifique cahier de notes carnet manuel du libraire et de l amateur de livres jan 01 2021 l algerie  
forever jul 19 2022 magnifique cahier de notes

**tunisie forever magnifique cahier de notes carnet de note** - Dec 17 2021

web tunisie forever magnifique cahier de notes carnet de note pour écrire tous vos projets vos recettes vos listes de choses à

faire ou autres une pour lestunisienne

[tunisie forever magnifique cahier de notes carnet pdf](#) - Jun 03 2023

web jul 15 2023 tunisie forever assoly botarwa 2019 12 13 magnifique cahier de notes carnet de note pour crire tous vos projets vos recettes vos listes de choses faire ou

**tunisie forever magnifique cahier de notes carnet** - Mar 20 2022

web jan 5 2023 tunisie forever magnifique cahier de notes carnet 2 12 downloaded from kelliemay com on january 5 2023 by guest differently contributors nicole

[fournitures de bureau cahiers blocs et notes papeterie et](#) - Dec 29 2022

web cahiers bloc notes 25 etiquettes 21 post it pense bête 26 voir les produits 72 filtrer boutique tunis sousse tunis drive in stick notes autocollantes apli

*les cahiers de tunisie data bnf fr* - Apr 20 2022

web jun 21 2023 les cahiers de tunisie revue de sciences humaines date de création 1953 périodicité trimestriel 1953 1969 semestriel 1970 tirage parution

**tunisie forever magnifique cahier de notes carnet de note pour** - Oct 07 2023

web tunisie forever magnifique cahier de notes carnet de note pour écrire tous vos projets vos recettes vos listes de choses à faire ou autres une 15 2 x 0 6 x 22 9 cm

*tunisie forever magnifique cahier de notes carnet* - Sep 25 2022

web tunisie forever magnifique cahier de notes carnet downloaded from opendoors cityandguilds com by guest garrett mariana fictions of the press in

**tunisie forever magnifique cahier de notes carnet pdf** - May 02 2023

web sep 14 2023 tunisie forever magnifique cahier de notes carnet 1 10 downloaded from uniport edu ng on september 14 2023 by guest tunisie forever magnifique cahier de

**tunisie forever magnifique cahier de notes carnet pdf** - Feb 16 2022

web apr 15 2023 tunisie forever magnifique cahier de notes carnet 2 9 downloaded from uniport edu ng on april 15 2023 by guest of a fratricidal colonial conflict the letters

*365 motivational quotes for success the strive* - Feb 01 2022

web feb 22 2023 if you ve got the ambition and the fortitude to keep going by all means keep to it and you ll breeze through the rese of these 365 motivational quotes for success in no time at all see you at the finish line related how to motivate yourself daily 184 when a man is sufficiently motivated discipline will take care of itself

**50 inspiring quotes about success canva** - Apr 03 2022

web here are the top 50 inspiring quotes about success to motivate you to seize your moment and achieve your goals

[400 motivational quotes to inspire you today 2024 oberlo](#) - Sep 08 2022

web oct 17 2023 motivational quotes for entrepreneurs all our dreams can come true if we have the courage to pursue them walt disney the secret of getting ahead is getting started mark twain i ve missed more than 9 000 shots in my career i ve lost almost 300 games 26 times i ve been trusted to take the game winning shot and missed

[how to motivate yourself 11 tips for self improvement](#) - Sep 20 2023

web jun 15 2023 self motivation tips let s take a closer look at each of the above tips here we ll break down these self motivation techniques detailing what they are and the science behind them 1 put your goal on the calendar one way to give a boost to your internal motivation is to create some external motivation a target date

*9 tips for how to be successful in life verywell mind* - May 16 2023

web jul 20 2022 what can you do to build a growth mindset believe that your efforts matter rather than thinking their abilities are fixed or stuck people who have a growth mindset believe that effort and hard work can lead to meaningful growth learn new skills

**the 5 best ways to motivate yourself success** - Jun 05 2022

web sep 7 2017 with any of your goals chunk it down into a checklist of actions that need to be completed each time you complete one of the smaller goals you ll feel that winning feeling of

*how to motivate yourself 19 ways to find motivation oberlo* - Jul 18 2023

web apr 12 2023 how to motivate yourself 19 ways to find motivation article by thomas j law 12 apr 2023 post contents 1 19 self motivation techniques to try 1 just start click here to launch your online business with shopify 2 break tasks down into small steps 3 create a positive mindset 4 create a feeling of gratitude 5 be kind to yourself 6

[what is self motivation push yourself to meet your goals](#) - Dec 11 2022

web may 18 2022 being self motivated also means having enough self awareness to know what works for you and what doesn t rather than depending on others to give you a reason for doing your sense of motivation comes from within your drive comes from your interests values and passions not someone else s checklist

**75 inspiring motivational quotes about success inc com** - Aug 07 2022

web aug 18 2014 when you re struggling a small burst of inspiration can make a huge difference here are 75 quotes about success to inspire you to keep pushing forward and achieve your dreams if you set your

**13 ways how to motivate yourself and learn self motivation** - Jun 17 2023

web self motivation is encouraging yourself to continue making progress toward a goal even when it feels challenging it s turning your shoulds into musts think of some of the most successful people you know are they the smartest people you ve

ever met the wealthiest chances are they re not but they are the most motivated to succeed

*what motivates you to succeed in life and keep moving forward* - May 04 2022

web mar 9 2023 3 helps you bounce forward from setbacks when life knocks you down and it will motivation is the fuel that will allow you to pick yourself up and keep going when life tries to convince you that the game is over motivation will be in your corner cheering you on and reminding you to not give up

**self motivation explained 100 ways to motivate yourself** - Aug 19 2023

web aug 2 2022 self discipline and self motivation while self discipline and self motivation are two distinct concepts self discipline is vital to maintaining self motivation it s not enough simply to be self motivated to achieve your goals you need to couple self motivation with self discipline

*why motivation is important for your success and happiness* - Mar 02 2022

web feb 28 2022 2 it makes you happier motivation builds determination to achieve something like losing weight or securing a new job and when you succeed you feel happy with your results so if you continue to motivate yourself and set and achieve new goals you ll generally feel happier than you did before and although success is the root of

**how to motivate yourself tips for achieving your goals wikihow** - Jan 12 2023

web may 10 2023 1 define a specific clear end goal for yourself sometimes it is hard to motivate ourselves when we re unclear about where we want to go make a clear actionable end goal that you can achieve for example if you re in school your end goal might be to get into a certain college or to get a specific internship

**35 ways to motivate yourself for success selfmasterytips** - Nov 10 2022

web jan 31 2022 35 ways to motivate yourself for success january 31 2022 wanda saha personal growth if you want to succeed you need to find a way to motivate yourself for success it s easy enough to get motivated for a short term goal but it can be harder when you re trying for something that will take a long time

**how to increase self motivation psychology today** - Apr 15 2023

web jan 10 2022 self motivation means being driven by a personal desire to set valued goals and to focus on commit to and move toward these goals despite obstacles self motivation is necessary for many

100 motivational quotes for inspiring you to succeed inc com - Jul 06 2022

web oct 9 2014 100 motivational quotes that will inspire your success 1 if you want to achieve greatness stop asking for permission anonymous 2 things work out best for those who make the best of

**17 motivational quotes to inspire you to be successful** - Mar 14 2023

web nov 3 2016 1 believe in yourself your limitation it s only your imagination 2 work hard push yourself because no one else is going to do it for you 3 don t wait sometimes later becomes never do

*the key to self motivation stay driven and meet your goals* - Oct 09 2022

web sep 30 2019 self motivation is the ability to drive oneself to take initiative and action to pursue goals and complete tasks it's an inner drive to take action to create and to achieve it's what pushes you to keep going on tasks especially those you're pursuing because you want to not because someone told you to

**15 ways to boost your motivation for success lifehack** - Feb 13 2023

web mar 9 2023 1 practice looking at the glass being half full when life is challenging this is not as easy to do if you feel like you're unsuccessfully playing dodgeball in most areas of your life practice short bursts of radical acceptance 1 and look for fine threads in your day that you are grateful for and that bring you happiness

*american civil war confederate army brassey s his pdf* - Oct 04 2022

web the american civil war decision in the heartland why confederates fought confederate general william dorsey pender the rise and fall of the confederate

*american civil war confederate army brassey s his* - Dec 26 2021

web civil war confederate army brassey s his below little phil eric j wittenberg 2005 04 provides insight into the real personality of the famous warrior american civil war ron

**confederate states army wikipedia** - Mar 09 2023

web the confederate states army also called the confederate army or the southern army was the military land force of the confederate states of america commonly referred to

**buy american civil war confederate army brassey s** - Nov 05 2022

web amazon in buy american civil war confederate army brassey s history of uniforms book online at best prices in india on amazon in read american civil

*american civil war confederate army brassey s history of* - Aug 14 2023

web oct 1 1998 american civil war confederate army brassey s history of uniforms field ron on amazon com free shipping on qualifying offers american civil war confederate army brassey s history of uniforms

**american civil war union army brassey s history o pdf** - Nov 24 2021

web may 8 2023 volumes american civil war union army by robin smith and american civil war confederate army by ron field in 1996 forrest robert m browning 2004

**american civil war confederate army brassey s his uniport edu** - Feb 25 2022

web may 5 2023 american civil war confederate army brassey s his 1 8 downloaded from uniport edu ng on may 5 2023 by guest american civil war confederate army

*american civil war confederate army brassey s his pdf* - Feb 08 2023

web 4 american civil war confederate army brassey s his 2023 06 12 controversial issues surrounding their military service relying on more than a decade of research in primary

**military forces of the confederate states wikipedia** - May 31 2022

web the army of confederate states was the regular army organized by act of congress on march 6 1861 1 it was authorized to include 15 015 men including 744 officers but this

*american civil war confederate army brassey s* - Dec 06 2022

web amazon in buy american civil war confederate army brassey s history of uniforms book online at best prices in india on amazon in read american civil

**confederate army encyclopedia com** - Jan 27 2022

web may 14 2018 confederate army on 19 february 1861 president jefferson davis appointed leroy p walker of alabama secretary of war of the newly formed

*american civil war confederate army brassey s his uniport edu* - Apr 29 2022

web jul 17 2023 american civil war confederate army brassey s his 2 9 downloaded from uniport edu ng on july 17 2023 by guest others needing information at their fingertips

*american civil war confederate army ron field google books* - Mar 29 2022

web american civil war confederate army brassey s history of uniforms author ron field edition illustrated reprint publisher brassey s limited 1996 isbn 1857531620

**book review brassey s history of uniforms american civil war** - May 11 2023

web aug 11 2001 brassey s history of uniforms american civil war union army by robin smith and brassey s historyof uniforms american civil war confederate army by

**american civil war confederate army brassey s his pdf** - Jan 07 2023

web american civil war confederate army brassey s his 1 1 downloaded from uniport edu ng on september 8 2023 by guest american civil war confederate army brassey s his

*american civil war confederate army brassey s his pdf* - Jul 01 2022

web mar 5 2023 american civil war confederate army brassey s his 1 10 downloaded from uniport edu ng on march 5 2023 by guest american civil war confederate army

[american civil war confederate army](#) - Jul 13 2023

web jul 28 1999 buy american civil war confederate army brassey s history of uniforms first edition by field ron hook richard isbn 9781857531626 from

[american civil war confederate army brassey s his james r](#) - Sep 03 2022

web american civil war confederate army brassey s his after getting deal so following you require the books swiftly you can straight get it its appropriately entirely simple and in

**american civil war confederate army** - Apr 10 2023

web buy american civil war confederate army brassey s history of uniforms first paperback edition by field ron isbn 9781857532180 from amazon s book store

american civil war confederate army brassey s - Jun 12 2023

web abebooks com american civil war confederate army brassey s history of uniforms 9781857531626 by field ron and a great selection of similar new used

**brassey s history of uniforms american civil war union army** - Aug 02 2022

web brassey s history of uniforms american civil war union army free download as pdf file pdf or read online for free brassey s history of uniforms american civil