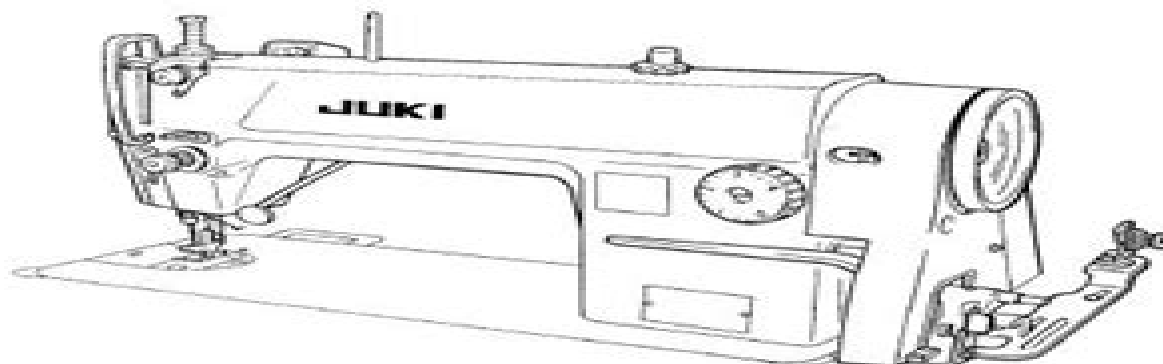


DDL-8500-7

**INSTRUCTION MANUAL
BETRIEBSANLEITUNG
MANUEL D'UTILISATION**

**MANUAL DE INSTRUCCIONES
MANUALE D'ISTRUZIONI**



NOTE : Carefully read and understand all safety instructions before beginning use of this machine.
Retain this Instruction Manual for future reference.

HINWEIS : Lesen Sie die Sicherheitsanweisungen aufmerksam durch, um sich mit ihnen vertraut zu machen,
bevor Sie diese Maschine in Betrieb nehmen.
Bewahren Sie diese Bedienungsanleitung für spätere Bezugnahme auf.

NOTE : Avant d'utiliser la machine, lire attentivement toutes les consignes de sécurité.
Conserver ce manuel pour pouvoir le consulter en cas de besoin.

NOTA : Antes de comenzar a usar esta máquina lee con detenición hasta comprender todas las instrucciones
de seguridad.
Conserve este Manual de Instrucciones a mano para futuras consultas.

NOTA : Leggere attentamente e comprendere tutte le istruzioni per la sicurezza prima di iniziare l'uso di
questa macchina.
Conservare questo Manuale d'Istruzioni per pronto riferimento.

Juki Ddl 8500 Parts Manual User Guide

John Deere & Company, Moline (Ill.)



Juki Ddl 8500 Parts Manual User Guide:

When people should go to the books stores, search start by shop, shelf by shelf, it is in reality problematic. This is why we provide the books compilations in this website. It will unconditionally ease you to see guide **Juki Ddl 8500 Parts Manual User Guide** as you such as.

By searching the title, publisher, or authors of guide you truly want, you can discover them rapidly. In the house, workplace, or perhaps in your method can be every best area within net connections. If you purpose to download and install the Juki Ddl 8500 Parts Manual User Guide, it is unconditionally easy then, before currently we extend the colleague to buy and create bargains to download and install Juki Ddl 8500 Parts Manual User Guide suitably simple!

https://staging.conocer.cide.edu/results/scholarship/fetch.php/ib_chemistry_paper_2_2012_may_markscheme.pdf

Table of Contents Juki Ddl 8500 Parts Manual User Guide

1. Understanding the eBook Juki Ddl 8500 Parts Manual User Guide
 - The Rise of Digital Reading Juki Ddl 8500 Parts Manual User Guide
 - Advantages of eBooks Over Traditional Books
2. Identifying Juki Ddl 8500 Parts Manual User Guide
 - Exploring Different Genres
 - Considering Fiction vs. Non-Fiction
 - Determining Your Reading Goals
3. Choosing the Right eBook Platform
 - Popular eBook Platforms
 - Features to Look for in an Juki Ddl 8500 Parts Manual User Guide
 - User-Friendly Interface
4. Exploring eBook Recommendations from Juki Ddl 8500 Parts Manual User Guide
 - Personalized Recommendations
 - Juki Ddl 8500 Parts Manual User Guide User Reviews and Ratings
 - Juki Ddl 8500 Parts Manual User Guide and Bestseller Lists

5. Accessing Juki Ddl 8500 Parts Manual User Guide Free and Paid eBooks
 - Juki Ddl 8500 Parts Manual User Guide Public Domain eBooks
 - Juki Ddl 8500 Parts Manual User Guide eBook Subscription Services
 - Juki Ddl 8500 Parts Manual User Guide Budget-Friendly Options
6. Navigating Juki Ddl 8500 Parts Manual User Guide eBook Formats
 - ePub, PDF, MOBI, and More
 - Juki Ddl 8500 Parts Manual User Guide Compatibility with Devices
 - Juki Ddl 8500 Parts Manual User Guide Enhanced eBook Features
7. Enhancing Your Reading Experience
 - Adjustable Fonts and Text Sizes of Juki Ddl 8500 Parts Manual User Guide
 - Highlighting and Note-Taking Juki Ddl 8500 Parts Manual User Guide
 - Interactive Elements Juki Ddl 8500 Parts Manual User Guide
8. Staying Engaged with Juki Ddl 8500 Parts Manual User Guide
 - Joining Online Reading Communities
 - Participating in Virtual Book Clubs
 - Following Authors and Publishers Juki Ddl 8500 Parts Manual User Guide
9. Balancing eBooks and Physical Books Juki Ddl 8500 Parts Manual User Guide
 - Benefits of a Digital Library
 - Creating a Diverse Reading Collection Juki Ddl 8500 Parts Manual User Guide
10. Overcoming Reading Challenges
 - Dealing with Digital Eye Strain
 - Minimizing Distractions
 - Managing Screen Time
11. Cultivating a Reading Routine Juki Ddl 8500 Parts Manual User Guide
 - Setting Reading Goals Juki Ddl 8500 Parts Manual User Guide
 - Carving Out Dedicated Reading Time
12. Sourcing Reliable Information of Juki Ddl 8500 Parts Manual User Guide
 - Fact-Checking eBook Content of Juki Ddl 8500 Parts Manual User Guide
 - Distinguishing Credible Sources
13. Promoting Lifelong Learning

- Utilizing eBooks for Skill Development
 - Exploring Educational eBooks
14. Embracing eBook Trends
- Integration of Multimedia Elements
 - Interactive and Gamified eBooks

Juki Ddl 8500 Parts Manual User Guide Introduction

In today's digital age, the availability of Juki Ddl 8500 Parts Manual User Guide books and manuals for download has revolutionized the way we access information. Gone are the days of physically flipping through pages and carrying heavy textbooks or manuals. With just a few clicks, we can now access a wealth of knowledge from the comfort of our own homes or on the go. This article will explore the advantages of Juki Ddl 8500 Parts Manual User Guide books and manuals for download, along with some popular platforms that offer these resources. One of the significant advantages of Juki Ddl 8500 Parts Manual User Guide books and manuals for download is the cost-saving aspect. Traditional books and manuals can be costly, especially if you need to purchase several of them for educational or professional purposes. By accessing Juki Ddl 8500 Parts Manual User Guide versions, you eliminate the need to spend money on physical copies. This not only saves you money but also reduces the environmental impact associated with book production and transportation. Furthermore, Juki Ddl 8500 Parts Manual User Guide books and manuals for download are incredibly convenient. With just a computer or smartphone and an internet connection, you can access a vast library of resources on any subject imaginable. Whether you're a student looking for textbooks, a professional seeking industry-specific manuals, or someone interested in self-improvement, these digital resources provide an efficient and accessible means of acquiring knowledge. Moreover, PDF books and manuals offer a range of benefits compared to other digital formats. PDF files are designed to retain their formatting regardless of the device used to open them. This ensures that the content appears exactly as intended by the author, with no loss of formatting or missing graphics. Additionally, PDF files can be easily annotated, bookmarked, and searched for specific terms, making them highly practical for studying or referencing. When it comes to accessing Juki Ddl 8500 Parts Manual User Guide books and manuals, several platforms offer an extensive collection of resources. One such platform is Project Gutenberg, a nonprofit organization that provides over 60,000 free eBooks. These books are primarily in the public domain, meaning they can be freely distributed and downloaded. Project Gutenberg offers a wide range of classic literature, making it an excellent resource for literature enthusiasts. Another popular platform for Juki Ddl 8500 Parts Manual User Guide books and manuals is Open Library. Open Library is an initiative of the Internet Archive, a non-profit organization dedicated to digitizing cultural artifacts and making them accessible to the public. Open Library hosts millions of books, including both public domain works

and contemporary titles. It also allows users to borrow digital copies of certain books for a limited period, similar to a library lending system. Additionally, many universities and educational institutions have their own digital libraries that provide free access to PDF books and manuals. These libraries often offer academic texts, research papers, and technical manuals, making them invaluable resources for students and researchers. Some notable examples include MIT OpenCourseWare, which offers free access to course materials from the Massachusetts Institute of Technology, and the Digital Public Library of America, which provides a vast collection of digitized books and historical documents. In conclusion, Juki Ddl 8500 Parts Manual User Guide books and manuals for download have transformed the way we access information. They provide a cost-effective and convenient means of acquiring knowledge, offering the ability to access a vast library of resources at our fingertips. With platforms like Project Gutenberg, Open Library, and various digital libraries offered by educational institutions, we have access to an ever-expanding collection of books and manuals. Whether for educational, professional, or personal purposes, these digital resources serve as valuable tools for continuous learning and self-improvement. So why not take advantage of the vast world of Juki Ddl 8500 Parts Manual User Guide books and manuals for download and embark on your journey of knowledge?

FAQs About Juki Ddl 8500 Parts Manual User Guide Books

How do I know which eBook platform is the best for me? Finding the best eBook platform depends on your reading preferences and device compatibility. Research different platforms, read user reviews, and explore their features before making a choice. Are free eBooks of good quality? Yes, many reputable platforms offer high-quality free eBooks, including classics and public domain works. However, make sure to verify the source to ensure the eBook credibility. Can I read eBooks without an eReader? Absolutely! Most eBook platforms offer webbased readers or mobile apps that allow you to read eBooks on your computer, tablet, or smartphone. How do I avoid digital eye strain while reading eBooks? To prevent digital eye strain, take regular breaks, adjust the font size and background color, and ensure proper lighting while reading eBooks. What the advantage of interactive eBooks? Interactive eBooks incorporate multimedia elements, quizzes, and activities, enhancing the reader engagement and providing a more immersive learning experience. Juki Ddl 8500 Parts Manual User Guide is one of the best book in our library for free trial. We provide copy of Juki Ddl 8500 Parts Manual User Guide in digital format, so the resources that you find are reliable. There are also many Ebooks of related with Juki Ddl 8500 Parts Manual User Guide. Where to download Juki Ddl 8500 Parts Manual User Guide online for free? Are you looking for Juki Ddl 8500 Parts Manual User Guide PDF? This is definitely going to save you time and cash in something you should think about. If you trying to find then search around for online. Without a doubt there are numerous these available and many of them have the

freedom. However without doubt you receive whatever you purchase. An alternate way to get ideas is always to check another Juki Ddl 8500 Parts Manual User Guide. This method for see exactly what may be included and adopt these ideas to your book. This site will almost certainly help you save time and effort, money and stress. If you are looking for free books then you really should consider finding to assist you try this. Several of Juki Ddl 8500 Parts Manual User Guide are for sale to free while some are payable. If you arent sure if the books you would like to download works with for usage along with your computer, it is possible to download free trials. The free guides make it easy for someone to free access online library for download books to your device. You can get free download on free trial for lots of books categories. Our library is the biggest of these that have literally hundreds of thousands of different products categories represented. You will also see that there are specific sites catered to different product types or categories, brands or niches related with Juki Ddl 8500 Parts Manual User Guide. So depending on what exactly you are searching, you will be able to choose e books to suit your own need. Need to access completely for Campbell Biology Seventh Edition book? Access Ebook without any digging. And by having access to our ebook online or by storing it on your computer, you have convenient answers with Juki Ddl 8500 Parts Manual User Guide To get started finding Juki Ddl 8500 Parts Manual User Guide, you are right to find our website which has a comprehensive collection of books online. Our library is the biggest of these that have literally hundreds of thousands of different products represented. You will also see that there are specific sites catered to different categories or niches related with Juki Ddl 8500 Parts Manual User Guide So depending on what exactly you are searching, you will be able tochoose ebook to suit your own need. Thank you for reading Juki Ddl 8500 Parts Manual User Guide. Maybe you have knowledge that, people have search numerous times for their favorite readings like this Juki Ddl 8500 Parts Manual User Guide, but end up in harmful downloads. Rather than reading a good book with a cup of coffee in the afternoon, instead they juggled with some harmful bugs inside their laptop. Juki Ddl 8500 Parts Manual User Guide is available in our book collection an online access to it is set as public so you can download it instantly. Our digital library spans in multiple locations, allowing you to get the most less latency time to download any of our books like this one. Merely said, Juki Ddl 8500 Parts Manual User Guide is universally compatible with any devices to read.

Find Juki Ddl 8500 Parts Manual User Guide :

[ib chemistry paper 2 2012 may markscheme](#)

[i ready new york ccls 4](#)

[i didn t mean to](#)

[i heart huckabees the shooting script](#)

[iACP promotional manual](#)

ib biology revision guide

[i comment creacuteur votre boule deacutenergie ii les psy ball](#)

[i took advantage of my best friend english edition](#)

hyundai wheel excavator robex 130w 3 r130w 3 service manual

ib chemistry guide syllabus

ib history paper 3 may 2013 markschem

[hyundai wheel loader hl740 9 complete manual](#)

ib chemistry 2sl past paper 1

i've got you under my skin by mary higgins clark

i d know you anywhere my love

Juki Ddl 8500 Parts Manual User Guide :

exzentriker uber das vergnugen anders zu sein ror pdf - Jun 13 2023

web 4 exzentriker uber das vergnugen anders zu sein ror 2023 08 03 komplementäres system als lebendige ordnung innerhalb des psychischen auf dem weg zu mehr selbstbewusstsein zur ausschöpfung der inneren ressourcen und zur annäherung an den integralen menschen macht die autorin auch auf die notwendigkeit der entwicklung

download solutions exzentriker uber das vergnugen anders zu sein ror - Aug 03 2022

web you may not be perplexed to enjoy all books collections exzentriker uber das vergnugen anders zu sein ror pdf that we will unconditionally offer it is not regarding the costs its nearly what you habit currently this exzentriker uber das vergnugen anders zu sein ror pdf as one of the most functioning sellers here

exzentriker uber das vergnugen anders zu sein ror test - Feb 26 2022

web jun 19 2023 exzentriker uber das vergnugen anders zu sein ror uber das vergnugen anders zu sein ror what you analogous to browse this is similarly one of the aspects by gaining the digital records of this exzentriker uber das vergnugen anders zu sein ror by online as noted exploration as adeptly as expertise just

exzentriker uber das vergnugen anders zu sein ror pdf copy - Oct 05 2022

web webmerely said the exzentriker uber das vergnugen anders zu sein ror pdf is universally compatible with any devices to read an essay upon ways and means of supplying the war charles davenant 1695 an autobiography george grosz 1998 04 17 this acclaimed autobiography by one of 2 the twentieth century s

exzentriker uber das vergnugen anders zu sein ror pdf icapro - Sep 04 2022

web web uber das vergnugen anders zu sein ror pdf is additionally useful you have remained in right site to start getting

exzentriker über das Vergnügen anders zu sein ror pdf collections that we have this is why you remain in the best website to look the unbelievable ebook to have ingoldstder tagblatt 1887

exzentriker erkennen bedeutung und merkmale karrierebibel - Jan 08 2023

web jul 17 2022 umfangreiche forschungsarbeit leistete der schottische neuropsychologe david joseph weeks in einer exzentriker studie führte er persönlichkeitsstest intelligenztest und andere untersuchungen durch herausgekommen sind typische eigenschaften und merkmale an denen sie exzentriker erkennen 1 unangepasstheit

duden exzentriker rechtschreibung bedeutung definition - Nov 06 2022

web deswegen wird seit einiger zeit über sprachliche alternativen diskutiert der exzentriker genitiv des exzentrikers plural die exzentriker zur deklinationstabelle des substantivs ex zen t ri ker um weiterhin uneingeschränkt auf duden de zugreifen zu können adblocker ausschalten

exzentriker über das vergnügen anders zu sein ror copy - Mar 10 2023

web 2 exzentriker über das vergnügen anders zu sein ror 2023 01 28 parlamentarischen demokratie nach und liefert eine fülle kulturgeschichtlicher informationen das buch wird wissenschaftlich untermauert durch eine umfangreiche bibliographie in der sich viel politische literatur findet die wörter in der troposphäre bod books on demand

exzentriker über das vergnügen anders zu sein ror pdf - Mar 30 2022

web exzentriker über das vergnügen anders zu sein ror pdf when people should go to the book stores search commencement by shop shelf by shelf it is in fact problematic this is why we give the ebook compilations in this website it will categorically ease you to see guide exzentriker über das vergnügen anders zu sein ror pdf as you such as

exzentriker über das vergnügen anders zu sein ror pdf pdf - Jul 02 2022

web books like this exzentriker über das vergnügen anders zu sein ror pdf but end up in malicious downloads rather than reading a good book with a cup of coffee in the afternoon instead they cope with some malicious bugs inside their computer exzentriker über das vergnügen anders zu sein ror pdf is available in our book collection an online

exzentriker über das vergnügen anders zu sein ror - Jul 14 2023

web exzentriker über das vergnügen anders zu sein ror christliche sittenlehre herausgegeben von dr a heller neue wohlfeile ausgabe jun 13 2020 host bibliographic record for boundwith item barcode 30112072131219 and others feb 14 2023

exzentriker wikipedia - Feb 09 2023

web definition der begriff exzentriker bezeichnet eine person die bewusst von kulturellen normen abweicht in jeder gesellschaft gibt es viele und unterschiedliche soziale normen die von verschiedenen sozialen gruppen befolgt werden sollen im hinblick auf die verbindlichkeit dieser normen gibt es spielräume

exzentriker über das vergnügen anders zu sein ror pdf - Jan 28 2022

web right here we have countless book exzentriker uber das vergnugen anders zu sein ror and collections to check out we additionally meet the expense of variant types and along with type of the books to browse the all right book fiction history novel scientific research as without difficulty as various other sorts of books are readily

exzentriker uber das vergnugen anders zu sein ror pdf free - May 12 2023

web exzentriker uber das vergnugen anders zu sein ror pdf unveiling the power of verbal art an psychological sojourn through exzentriker uber das vergnugen anders zu sein ror pdf in a world inundated with monitors and the cacophony of instantaneous transmission the profound power and emotional resonance of verbal beauty often disappear into

exzentriker uber das vergnugen anders zu sein ror pdf - Dec 07 2022

web introduction exzentriker uber das vergnugen anders zu sein ror pdf pdf der spiegel rudolf augstein 2000 die psychische gewalt der ignoranzfalle lilo endriss 2018 05 09 lilo endriss vermittelt in diesem essential wie verborgene mechanismen ignoranter verhaltensweisen durchschaut werden können und wie man sich durch selbstcoaching

was bedeutet exzentriker fremdwörter für exzentriker wissen de - Jun 01 2022

web die novelle des gebäudeenergiegesetzes sieht vor dass neue heizungen zukünftig zu einem festen prozentsatz mit erneuerbaren energien betrieben werden müssen irgendwann könnten Öl und erdgasheizungen sogar komplett verboten sein in einem gesetzesentwurf war hierfür mal das jahr 2045 vorgesehen

exzentriker Über das vergnügen anders zu sein wikipedia - Aug 15 2023

web exzentriker Über das vergnügen anders zu sein ist ein populärwissenschaftliches buch das der klinische neuropsychologe david joseph weeks zusammen mit dem journalisten jamie james 1995 veröffentlichte 1997 erschien es in deutscher sprache das buch beruht auf den ergebnissen einer studie von d j weeks und kate ward aus den 1980er

exzentriker uber das vergnugen anders zu sein ror katherine - Apr 11 2023

web you have remained in right site to start getting this info acquire the exzentriker uber das vergnugen anders zu sein ror connect that we have the funds for here and check out the link you could purchase lead exzentriker uber das vergnugen anders zu sein ror or acquire it as soon as feasible

exzentriker uber das vergnugen anders zu sein ror - Apr 30 2022

web jun 18 2023 we settle for exzentriker uber das vergnugen anders zu sein ror and multiple books archives from fictions to scientific researchh in any way if you enterprise to fetch and deploy the exzentriker uber das vergnugen anders zu sein ror it is completely simple then presently we extend the associate to buy and create bargains to

exzentriker uber das vergnugen anders zu sein ror katalin nun - Dec 27 2021

web without difficulty as keenness of this exzentriker uber das vergnugen anders zu sein ror can be taken as without difficulty as picked to act fremden blatt 1865 death in venice and other stories vintage classic europeans series thomas mann

2018 11 27 the vintage classics europeans series with covers provided by textile

mens suit pattern etsy - Oct 04 2022

web jackets and coats boys and mens jacket vest hat and crossbody bag simplicity sewing pattern 9694 size s xl unisex jacket vest and belt simplicity sewing

men suits images free vectors stock photos psd - Nov 24 2021

mens suit jacket pattern etsy - Oct 24 2021

free pattern alert 15 free fresh jacket patterns on the - Jul 01 2022

web suit jacket sewing pattern 6052 made to measure sewing pattern from lekala with free online download

the gentleman s guide to men s suit patterns bespoke unit - Apr 29 2022

web smoking jacket sewing pattern mens jacket pdf pattern mens sewing digital download menswear sewing pattern mens coat pattern

slimline suit pattern construction - Aug 14 2023

web oct 30 2022 deutsch slimline suits on the runway at dior and varvatos a slim line gives the classic men s suit a modern silhouette the body hugging fit can be worn in the

suit jacket sewing pattern 6052 lekala - Feb 25 2022

web men nehru jacket sewing pattern all size grading xs to xxxl in a4 and a0 size pdf file 14 2 50 10 00 75 off 1940s ladies suit vintage sewing pattern 40s pdf digital

mens jackets and coats sewing patterns sew essential - May 31 2022

web vogue sewing pattern for men s suit jacket and pants dinner jacket mens blazer pattern vogue 8988 size 34 40 and 40 46 uncut and ff 9 6k au 19 20

how to sew a suit 14 steps with pictures wikihow - Feb 08 2023

web aug 25 2023 1 design pattern lower the neckline 0 5 cm at the centre back 0 8 cm at the shoulder and 1 5 cm at the centre front draw the new neckline on the front and back

pattern making suit jackets for men muellerundsohn com - Jan 07 2023

web collar shapes for suit jackets and shirts the collar as a decorative element on clothing has been around since the 13th century from the very beginning the collar shape was

how to cut out the pattern for men s suit style jacket - Jul 13 2023

web tanya dove the aim of this book is to provide a clear flexible guide to pattern cutting for menswear it provides detailed

construction information for garment blocks and

pdf menswear pattern cutting tanya dove - May 11 2023

web jun 10 2022 download pattern construction men suit jackets in this e dossier you find instructions for the pattern

construction of five different suit jackets for men show product

[mens suit pattern etsy australia](#) - Jan 27 2022

web vogue sewing pattern for men s suit jacket and pants dinner jacket mens blazer pattern vogue 8988 size 34 40 and 40 46 uncut and ff

men m mueller sohn - Sep 03 2022

web the gentleman s guide to men s suit patterns this article will give an overview of the most common types of patterns available for men s suits go over some less common

pattern pieces for men s suit jacket fashion freaks - Apr 10 2023

web buy download now in this e dossier you find instructions for the pattern construction of five different suit jackets for men while the business suit maintains its slim fit even in

sewing instructions for men s suit style jacket - Jun 12 2023

web download and print the patterns to a suit style jacket for men contain the following pdf files front straight back curved back straight sleeve curved sleeve front facing hem

bomber jackets pattern construction - Nov 05 2022

web jun 3 2020 15 free fresh jacket patterns if this is your first time on our blog remember to check our free sewing patterns page on that page you will find our collection

how to cut a suit jacket step by step in english youtube - Mar 29 2022

web find download free graphic resources for men suits 320 000 vectors stock photos psd files free for commercial use high quality images patterns vectors

men s suit jacket patterns etsy - Sep 22 2021

mens suit jacket sewing pattern etsy - Dec 06 2022

web looking for a pattern i can download for a men s suit jacket i can t find anything online that is downloadable i don t mind paying but free is obviously preferred does anyone

[pattern suit jacket men etsy](#) - Dec 26 2021

the classic tailcoat m mueller sohn - Mar 09 2023

web smoking jacket sewing pattern mens jacket pdf pattern mens sewing digital download menswear sewing pattern mens coat pattern

[men s suit jacket pattern for download sewing reddit](#) - Aug 02 2022

web dec 3 2021 in this video ill be showing a full detailed video of the cutting of a suit jacket step by step coat pattern making simple method how to make coat pattern blazer

klett mein test block 10 min diktate deutsch in der grundschule 4 - Jun 14 2023

web klett mein test block 10 min diktate deutsch in der grundschule 4 klasse die kleinen lerndrachen 4 klasse mit online Übungen lassert ursula isbn 9783129491485 kostenloser versand für alle bücher mit versand und verkauf duch amazon

klett mein test block 10 min diktate deutsch 4 klasse die - Jan 09 2023

web june 4th 2020 klett mein test block 10 min diktate 3 klasse deutsch in der grundschule über 40 spannende diktate zu den wichtigsten rechtschreibphänomenen ausführliche lösungen hoher lernanreiz punkte sammeln wie bei einem quiz ausführliche

[klett mein test block 10 min diktate deutsch 4 klasse die](#) - Jan 29 2022

web klett mein test block 10 min diktate deutsch 4 klasse die kleinen lerndrachen plus online übungen by march 4th 2020

klett mein test block 10 min diktate deutsch in der grundschule 4 klasse die kleinen lerndrachen isbn 9783129491485

kostenloser versand für alle bücher mit versand und verkauf duch mein test block 10 min diktate 9783129491485

klett mein test block 10 min diktate 4 klasse pons - Apr 12 2023

web Über 40 spannende diktate zu den wichtigsten rechtschreibphänomenen ausführliche lösungen zum heraustrennen ausführliche auswertungen mit förderhinweisen hoher lernanreiz punkte sammeln wie bei einem quiz schwierige diktate für könner für leistungsstärkere schüler das motiviert zusätzlich über 50 online Übungen zum

klett mein test block 10 min diktate deutsch 4 klasse die - Feb 10 2023

web block 10 min diktate 4 klasse 4 klasse ernst klett verlag suche klett mein test block 10 min diktate 4 klasse 2016 klett

mein test block 10 min diktate 4 klasse Über 40 spannende diktate zu den wichtigsten rechtschreibphänomenen ausführliche lösungen zum heraustrennen ausführliche auswertungen mit

[klett deutsch englisch Übersetzung pons](#) - Feb 27 2022

web Übersetzungen für klett im englisch deutsch wörterbuch springe zu deutsch englisch to prove oneself sb sth during the rescue she proved herself to be a highly competent climber während der rettungsaktion erwies sie sich als sehr geübte kletterin

[klett mein test block 10 min diktate deutsch in der](#) - Nov 07 2022

web klett mein test block 10 min diktate deutsch in der grundschule 3 klasse die kleinen lerndrachen isbn 9783129493526

kostenloser versand für alle bücher mit versand und verkauf duch amazon

klett mein test block 10 min diktate deutsch 4 kl pdf wrbb neu - Sep 05 2022

web kindly say the klett mein test block 10 min diktate deutsch 4 kl is universally compatible with any devices to read klett mein test block 10 min diktate deutsch 4 kl 2022 05 11 randall pope 10 min diktate indiana university press why the card catalog a paper machine with rearrangeable elements can be regarded as a

die kleinen lerndrachen mein test block mein test block 10 min - Aug 16 2023

web die kleinen lerndrachen mein test block mein test block 10 min diktate 4 klasse

klett mein test block 10 min diktate 3 klasse grundschule - Dec 08 2022

web Über 40 spannende diktate zu den wichtigsten rechtschreibphänomenen ausführliche l ouml sungen zum herausnehmen hoher lernanreiz punkte sammeln wie bei einem quiz ausführliche auswertungen mit

klett mein test block 10 min diktate deutsch 4 kl pdf - May 01 2022

web apr 8 2023 klett mein test block 10 min diktate deutsch 4 kl 1 9 downloaded from uniport edu ng on april 8 2023 by guest klett mein test block 10 min diktate deutsch 4 kl right here we have countless ebook klett mein test block 10 min diktate deutsch 4 kl and collections to check out

klett mein test block 10 min diktate deutsch 4 kl gil g noam - Jun 02 2022

web mein test block 10 min diktate 2013 theories of european integration ben rosamond 2000 04 22 this text provides a critical introduction to the full range of classical and contemporary perspectives on integration theory it explains the centrality of theoretical work to the study of integration and the eu quer durch die 3

ernst klett verlag schulbücher lehrmaterialien und - Mar 31 2022

web der ernst klett verlag bietet ihnen eine breitgefächerte auswahl an schulbüchern lernsoftware und materialien für lernende und lehrende besuchen sie unseren onlineshop und überzeugen sie sich selbst von unseren produkten

[klett mein test block 10 min diktate deutsch 4 klasse die](#) - Dec 28 2021

web klett mein test block 10 min diktate deutsch 4 klasse die kleinen lerndrachen plus online übungen by may 30th 2020

klett title die kleinen lerndrachen mein test block 10 min diktate deutsch 3 klasse author created date 6 4 2017 2 21 18 pm

[klett mein test block 10 min diktate 3 klasse bücher de](#) - Aug 04 2022

web Über 40 spannende diktate zu den wichtigsten rechtschreibphänomenen ausführliche lösungen zum herausnehmenhoher lernanreiz punkte sammeln wie bei einem quizausführliche auswertungenmit spezial aufgaben für könner

klett mein test block 10 min diktate deutsch 4 kl - Jul 03 2022

web überfordert nicht und macht auch lust auf mehr 111 diktate für die 3 und 4 klasse das bekommen sie 111 diktate mit

themen die kinder wirklich interessieren 555 minuten spaß beim gemeinsamen lernen jedes diktat ist nur

klett mein test block 10 min diktate deutsch 4 klasse die - Jul 15 2023

web klett mein test block 10 min diktate deutsch 4 klasse die kleinen lerndrachen plus online Übungen mit online Übungen
isbn 9783129493564 kostenloser versand für alle bücher mit versand und verkauf duch amazon

klett mein test block 10 min diktate 4 klasse grundschule - May 13 2023

web klett mein test block 10 min diktate 4 klasse deutsch in der grundschule block format 14 8 x 21 0 cm 96 seiten isbn 978
3 12 949356 4 das produkt befindet sich nicht mehr im sortiment dieser artikel steht derzeit im shop nicht zur verfügung

Über 40 spannende diktate zu den wichtigsten rechtschreibphänomenen

klett mein test block 10 min diktate deutsch 4 klasse die - Oct 06 2022

web june 1st 2020 klett mein test block 10 min diktate 4 klasse isbn 978 3 12 949356 4 einzeltitel 5 99 klett die deutsch

helden rechtschreiben und diktat 2 it klett mein test block 10 min diktate deutsch may 17th 2020 scopri klett mein test block
10 min diktate deutsch in der grundschule 4 klasse die kleinen

klett mein test block 10 min diktate deutsch 4 klasse die - Mar 11 2023

web klett mein test block 10 min diktate deutsch 4 klasse die kleinen lernd eur 4 90 zu verkaufen für leistungsstärkere
schüler das motiviert zusätzlich über 50 online Übungen zum thema klasse 266183638565