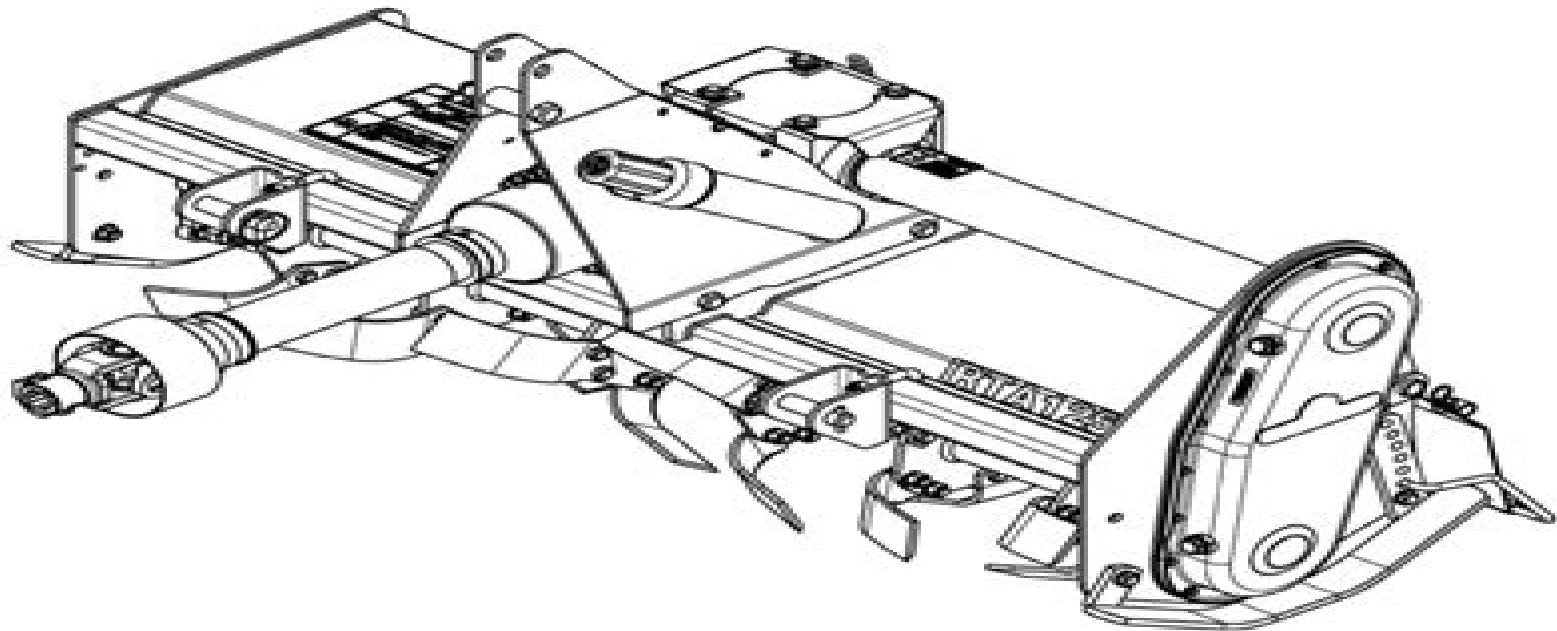
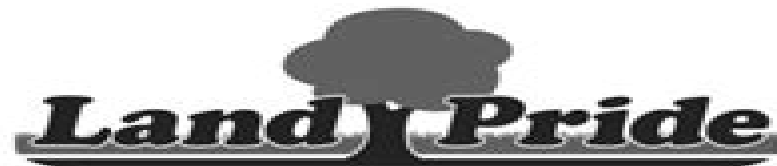


Rotary Tiller

RTA12 & RTR12 Series (S/N 884765+)



30950



311-883P
Parts Manual



Read the Operator's Manual entirely. When you see this symbol, the subsequent instructions and warnings are serious - follow without exception. Your life and the lives of others depend on it!

© Copyright 2015 Printed 10/21/15

Cover photo may show optional equipment not supplied with standard unit.

Land Pride User Manual

R Bogdan



Land Pride User Manual:

A Manual of the Reformed Church in America (formerly Reformed Protestant Dutch Church), 1628-1922

Charles Edward Corwin,1922 **Manufacturers' Instructions for Child Safety Seats** ,1996 Manufacturers' Instructions for Child Safety Seats. 1996 Edition ,1996 *The Reader's Manual: Designed for the Use of Common Schools in the United States* John Hall,2024-06-12 *The Radio Amateur's Operating Manual* George Thurston,1969 A manual of pastoral visitation, intended for the use of the clergy in their visitation of the sick and afflicted, by a parish priest Manual,1868 **Wallace's Farmer** ,2014 The ARRL Operating Manual American Radio Relay League,1995 **All-weather Flight Manual** United States. Office of the Chief of Naval Operations,1961 **California Farmer** ,2005 *The Golden Gate. A Complete Manual of Instructions, Devotions and Preparations* Sabine Baring-Gould,1870 Wallaces Farmer ,2005 **New England Farmer** ,2000 **MATS Manual** United States. Air Force. Military Air Transport Service,1957 Manual of Military Training James Alfred Moss,1914 Summary of Combustion Products from Mine Materials Margaret R. Egan,1990 **Information Circular** ,1990 **Journal of Education** ,1892 *Participatory Governance* , Hope Andrew Razeghi,2006-06-12 Whether organizations face uncertainty or meet the challenge of the constant pressure to innovate leaders must dig deep to keep their focus and stay effective In this landmark book Andrew Razeghi isolates the critical factor that is at the core of successful leadership in any climate Hope is based on research from neuroscience and behavioral psychology and interwoven with real world stories of entrepreneurs elite athletes political leaders and groundbreaking scientists Razeghi shows that hope is a proven tool for competitive advantage and clearly demonstrates how it can be nurtured and developed Throughout the book he outlines a proven strategy for honing leadership skills and shows how to apply this strategy to individuals teams and organizations

Unveiling the Energy of Verbal Artistry: An Mental Sojourn through **Land Pride User Manual**

In a world inundated with displays and the cacophony of fast connection, the profound energy and emotional resonance of verbal beauty often fade into obscurity, eclipsed by the constant barrage of sound and distractions. Yet, located within the lyrical pages of **Land Pride User Manual**, a interesting perform of literary splendor that impulses with raw emotions, lies an unforgettable trip waiting to be embarked upon. Composed by a virtuoso wordsmith, that mesmerizing opus books viewers on a mental odyssey, lightly exposing the latent potential and profound affect embedded within the complex internet of language. Within the heart-wrenching expanse of this evocative analysis, we can embark upon an introspective exploration of the book is key styles, dissect their charming publishing style, and immerse ourselves in the indelible effect it leaves upon the depths of readers souls.

<https://staging.conocer.cide.edu/About/Resources/index.jsp/Grade%201final%20Exam%202013%20Agricultural%20Sciences%20Memo.pdf>

Table of Contents Land Pride User Manual

1. Understanding the eBook Land Pride User Manual
 - The Rise of Digital Reading Land Pride User Manual
 - Advantages of eBooks Over Traditional Books
2. Identifying Land Pride User Manual
 - Exploring Different Genres
 - Considering Fiction vs. Non-Fiction
 - Determining Your Reading Goals
3. Choosing the Right eBook Platform
 - Popular eBook Platforms
 - Features to Look for in an Land Pride User Manual
 - User-Friendly Interface
4. Exploring eBook Recommendations from Land Pride User Manual

- Personalized Recommendations
- Land Pride User Manual User Reviews and Ratings
- Land Pride User Manual and Bestseller Lists
- 5. Accessing Land Pride User Manual Free and Paid eBooks
 - Land Pride User Manual Public Domain eBooks
 - Land Pride User Manual eBook Subscription Services
 - Land Pride User Manual Budget-Friendly Options
- 6. Navigating Land Pride User Manual eBook Formats
 - ePub, PDF, MOBI, and More
 - Land Pride User Manual Compatibility with Devices
 - Land Pride User Manual Enhanced eBook Features
- 7. Enhancing Your Reading Experience
 - Adjustable Fonts and Text Sizes of Land Pride User Manual
 - Highlighting and Note-Taking Land Pride User Manual
 - Interactive Elements Land Pride User Manual
- 8. Staying Engaged with Land Pride User Manual
 - Joining Online Reading Communities
 - Participating in Virtual Book Clubs
 - Following Authors and Publishers Land Pride User Manual
- 9. Balancing eBooks and Physical Books Land Pride User Manual
 - Benefits of a Digital Library
 - Creating a Diverse Reading Collection Land Pride User Manual
- 10. Overcoming Reading Challenges
 - Dealing with Digital Eye Strain
 - Minimizing Distractions
 - Managing Screen Time
- 11. Cultivating a Reading Routine Land Pride User Manual
 - Setting Reading Goals Land Pride User Manual
 - Carving Out Dedicated Reading Time
- 12. Sourcing Reliable Information of Land Pride User Manual

- Fact-Checking eBook Content of Land Pride User Manual
 - Distinguishing Credible Sources
13. Promoting Lifelong Learning
- Utilizing eBooks for Skill Development
 - Exploring Educational eBooks
14. Embracing eBook Trends
- Integration of Multimedia Elements
 - Interactive and Gamified eBooks

Land Pride User Manual Introduction

In this digital age, the convenience of accessing information at our fingertips has become a necessity. Whether its research papers, eBooks, or user manuals, PDF files have become the preferred format for sharing and reading documents. However, the cost associated with purchasing PDF files can sometimes be a barrier for many individuals and organizations. Thankfully, there are numerous websites and platforms that allow users to download free PDF files legally. In this article, we will explore some of the best platforms to download free PDFs. One of the most popular platforms to download free PDF files is Project Gutenberg. This online library offers over 60,000 free eBooks that are in the public domain. From classic literature to historical documents, Project Gutenberg provides a wide range of PDF files that can be downloaded and enjoyed on various devices. The website is user-friendly and allows users to search for specific titles or browse through different categories. Another reliable platform for downloading Land Pride User Manual free PDF files is Open Library. With its vast collection of over 1 million eBooks, Open Library has something for every reader. The website offers a seamless experience by providing options to borrow or download PDF files. Users simply need to create a free account to access this treasure trove of knowledge. Open Library also allows users to contribute by uploading and sharing their own PDF files, making it a collaborative platform for book enthusiasts. For those interested in academic resources, there are websites dedicated to providing free PDFs of research papers and scientific articles. One such website is Academia.edu, which allows researchers and scholars to share their work with a global audience. Users can download PDF files of research papers, theses, and dissertations covering a wide range of subjects. Academia.edu also provides a platform for discussions and networking within the academic community. When it comes to downloading Land Pride User Manual free PDF files of magazines, brochures, and catalogs, Issuu is a popular choice. This digital publishing platform hosts a vast collection of publications from around the world. Users can search for specific titles or explore various categories and genres. Issuu offers a seamless reading experience with its user-friendly interface and allows users to download PDF files for offline reading. Apart from dedicated

platforms, search engines also play a crucial role in finding free PDF files. Google, for instance, has an advanced search feature that allows users to filter results by file type. By specifying the file type as "PDF," users can find websites that offer free PDF downloads on a specific topic. While downloading Land Pride User Manual free PDF files is convenient, its important to note that copyright laws must be respected. Always ensure that the PDF files you download are legally available for free. Many authors and publishers voluntarily provide free PDF versions of their work, but its essential to be cautious and verify the authenticity of the source before downloading Land Pride User Manual. In conclusion, the internet offers numerous platforms and websites that allow users to download free PDF files legally. Whether its classic literature, research papers, or magazines, there is something for everyone. The platforms mentioned in this article, such as Project Gutenberg, Open Library, Academia.edu, and Issuu, provide access to a vast collection of PDF files. However, users should always be cautious and verify the legality of the source before downloading Land Pride User Manual any PDF files. With these platforms, the world of PDF downloads is just a click away.

FAQs About Land Pride User Manual Books

How do I know which eBook platform is the best for me? Finding the best eBook platform depends on your reading preferences and device compatibility. Research different platforms, read user reviews, and explore their features before making a choice. Are free eBooks of good quality? Yes, many reputable platforms offer high-quality free eBooks, including classics and public domain works. However, make sure to verify the source to ensure the eBook credibility. Can I read eBooks without an eReader? Absolutely! Most eBook platforms offer webbased readers or mobile apps that allow you to read eBooks on your computer, tablet, or smartphone. How do I avoid digital eye strain while reading eBooks? To prevent digital eye strain, take regular breaks, adjust the font size and background color, and ensure proper lighting while reading eBooks. What the advantage of interactive eBooks? Interactive eBooks incorporate multimedia elements, quizzes, and activities, enhancing the reader engagement and providing a more immersive learning experience. Land Pride User Manual is one of the best book in our library for free trial. We provide copy of Land Pride User Manual in digital format, so the resources that you find are reliable. There are also many Ebooks of related with Land Pride User Manual. Where to download Land Pride User Manual online for free? Are you looking for Land Pride User Manual PDF? This is definitely going to save you time and cash in something you should think about. If you trying to find then search around for online. Without a doubt there are numerous these available and many of them have the freedom. However without doubt you receive whatever you purchase. An alternate way to get ideas is always to check another Land Pride User Manual. This method for see exactly what may be included and adopt these ideas to your book. This site will almost certainly help you save time and effort, money and stress. If

you are looking for free books then you really should consider finding to assist you try this. Several of Land Pride User Manual are for sale to free while some are payable. If you arent sure if the books you would like to download works with for usage along with your computer, it is possible to download free trials. The free guides make it easy for someone to free access online library for download books to your device. You can get free download on free trial for lots of books categories. Our library is the biggest of these that have literally hundreds of thousands of different products categories represented. You will also see that there are specific sites catered to different product types or categories, brands or niches related with Land Pride User Manual. So depending on what exactly you are searching, you will be able to choose e books to suit your own need. Need to access completely for Campbell Biology Seventh Edition book? Access Ebook without any digging. And by having access to our ebook online or by storing it on your computer, you have convenient answers with Land Pride User Manual To get started finding Land Pride User Manual, you are right to find our website which has a comprehensive collection of books online. Our library is the biggest of these that have literally hundreds of thousands of different products represented. You will also see that there are specific sites catered to different categories or niches related with Land Pride User Manual So depending on what exactly you are searching, you will be able to choose ebook to suit your own need. Thank you for reading Land Pride User Manual. Maybe you have knowledge that, people have search numerous times for their favorite readings like this Land Pride User Manual, but end up in harmful downloads. Rather than reading a good book with a cup of coffee in the afternoon, instead they juggled with some harmful bugs inside their laptop. Land Pride User Manual is available in our book collection an online access to it is set as public so you can download it instantly. Our digital library spans in multiple locations, allowing you to get the most less latency time to download any of our books like this one. Merely said, Land Pride User Manual is universally compatible with any devices to read.

Find Land Pride User Manual :

[grade 1final exam 2013 agricultural sciences memo](#)

grade 3 mathletes practice test

grade 1scope for business study november 2014

grade 1physical science exam papers 23

grade 1march 2term test question paper for english mpumalanga

grade 1exam timetable 2014 limpopo

grade 1examplers business studies november

grade 1november 2014 tourism

[grade 1june examination paper 2 economics](#)

grade 1life science november 2013 exemplar paper3

[grade 1geography landforms](#)

grade 1tourism question paper

grade 6 maths exam papers

[grade 1life sciences question papers nkangala](#)

grade 1tourism november 2014

Land Pride User Manual :

armies of the greek turkish war 1919 22 men at arms philip - Nov 09 2022

web armies of the greek turkish war 1919 22 men at arms philip jowett amazon com tr

armies of the greek turkish war 1919 22 google books - Jul 17 2023

web jul 20 2015 armies of the greek turkish war 1919 22 philip jowett bloomsbury publishing jul 20 2015 history 48 pages

this is a comprehensive guide to the armies that fought a devastating and

armies of the greek turkish war 1919 22 osprey publishing - Apr 02 2022

web from the initial greek invasion designed to liberate the 100 000 ethnic greeks that lived in western turkey and had done for centuries to mustafa kemal atatürk s incredibly efficient formation of a national government and a regular army this was a war that shaped the geopolitical landscape of the mediterranean to this day

[armies of the greek turkish war 1919 22 osprey publishing](#) - Jul 05 2022

web jul 21 2015 this is a comprehensive guide to the armies that fought a devastating and decisive conflict in the eastern mediterranean between the two world wars of the 20th century

armies of the greek turkish war 1919 22 overdrive - Dec 30 2021

web jul 20 2015 armies of the greek turkish war 1919 22 ebook men at arms by philip jowett format ebook isbn

9781472806840 series men at arms philip jowett publisher bloomsbury publishing 20 july 2015 subjects find this title in libby the library reading app by overdrive search for a digital library with this title title found at these libraries

[armies of the greek turkish war 1919 22 archive org](#) - Jun 16 2023

web feb 22 2023 1919 1922 greek turkish war addeddate 2023 02 22 17 54 57 identifier armies of the greek turkish war 1919 22 identifier ark ark 13960 s2ngbv0r48 ocr tesseract 5 3 0 1 gd3a4

pdf armies of the greek turkish war 1919 22 studylib net - Sep 07 2022

web no category uploaded by cheredniki pdf armies of the greek turkish war 1919 22

armies of the greek turkish war 1919 22 men at arms kindle - Aug 06 2022

web jul 20 2015 this excellent booklet in the osprey men at arms series covers one of these conflicts the greekturkish war of 1919 to 1922 that led to the establishment of the modern turkish state philip jowett has packed in a great deal of information while remaining eminently readable

[greco turkish war 1919 1922 wikipedia](#) - Aug 18 2023

web the greco turkish war of 1919 1922 was fought between greece and the turkish national movement during the partitioning of the ottoman empire in the aftermath of world war i between may 1919 and october 1922

armies of the greek turkish war 1919 22 searchworks catalog - Jun 04 2022

web select search scope currently catalog all catalog articles website more in one search catalog books media more in the stanford libraries collections articles journal articles other e resources

armies of the greek turkish war 1919 22 google books - Apr 14 2023

web armies of the greek turkish war 1919 22 philip jowett google books this is a comprehensive guide to the armies that fought a devastating and decisive conflict in the eastern mediterranean

armies of the greek turkish war 1919 22 501 men at arms - Dec 10 2022

web jul 20 2015 armies of the greek turkish war 1919 22 501 men at arms paperback 20 july 2015 this is a comprehensive guide to the armies that fought a devastating and decisive conflict in the eastern mediterranean between

armies of the greek turkish war 1919 22 paperback amazon ca - May 03 2022

web jul 21 2015 armies of the greek turkish war 1919 22 is an osprey men at arms series book authored by philip jowett with illustrations by stephen walsh the book is explicitly about the uniforms weapons and other equipment used by

armies of the greek turkish war 1919 22 by philip jowett - Jan 31 2022

web jul 21 2015 this is a comprehensive guide to the armies that fought a devastating and decisive conflict in the eastern mediterranean between the two world wars of the uh oh it looks like your internet explorer is out of date

armies of the greek turkish war 1919 22 501 men at arms - Mar 01 2022

web armies of the greek turkish war 1919 22 501 men at arms von jowett philip isbn 10 1472806840 isbn 13 9781472806840 osprey publishing 2015 softcover

[armies of the greek turkish war 1919 22 pdf 1g8qbs3ql370](#) - Oct 08 2022

web armies of the greek turkish war 1919 22 pdf 1g8qbs3ql370 this is a comprehensive guide to the armies that fought a devastating and decisive conflict in the eastern mediterranean

armies of the greek turkish war 1919 22 the historical - May 15 2023

web booklet in the osprey men at arms series tells the story of one of these conflicts the greek turkish war of 1919 to 1922 that would be described by the greeks as the great catastrophe and was to lead to the establishment of the modern turkish

state

armies of the greek turkish war 1919 22 men at arms - Feb 12 2023

web jul 21 2015 armies of the greek turkish war 1919 22 is an osprey men at arms series book authored by philip jowett with illustrations by stephen walsh the book is explicitly about the uniforms weapons and other equipment used by

armies of the greek turkish war 1919 22 google books - Jan 11 2023

web augmented with very rare photographs and beautiful illustrations this ground breaking title explores the history organization and appearance of the armies both guerilla and conventional that fought in this bloody war

armies of the greek turkish war 1919 22 goodreads - Mar 13 2023

web jul 20 2015 armies of the greek turkish war 1919 22 philip jowett stephen walsh illustrator 3 77 22 ratings4 reviews this is a comprehensive guide to the armies that fought a devastating and decisive conflict in the eastern mediterranean between the two world wars of the 20th century

gemeinsam die magersucht besiegen ein leitfaden für - Jun 13 2023

web gemeinsam die magersucht besiegen ein leitfaden für betroffene freunde und angehörige anad esstörungen unsere wg info veranstaltung findet wieder in prÄsenz statt alles wissenswerte zur anmeldung sowie zur aufnahme in die anad wohngruppen mehr erfahren

gemeinsam die magersucht besiegen ein leitfaden für - Jul 14 2023

web gemeinsam die magersucht besiegen ein leitfaden für betroffene freunde und angehörige treasure janet alexander june karwautz andreas hafferl gattermeyer andrea bischoff ursula isbn 9783407858498 kostenloser versand für alle bücher mit versand und verkauf duch amazon

gemeinsam die magersucht besiegen ein leitfaden für - Jan 28 2022

web dieses buch hilft die magersucht nicht nur zu verstehen sondern auch sie gemeinsam zu bewältigen janet treasure erklärt ursachen und behandlungsmöglichkeiten an zahlreichen beispielen und sie beschreibt einfühlsam wie die krankheit sich anfühlt

download solutions gemeinsam die magersucht besiegen ein leitfaden f - Aug 03 2022

web gemeinsam die magersucht besiegen ein leitfaden f monthly bulletin of german literature jul 03 2020 the american journal of sociology feb 28 2020 established in 1895 as the first u s scholarly journal in its field ajs remains a leading voice for analysis and research in the social sciences presenting work on the theory methods

gemeinsam die magersucht besiegen ein leitfaden f copy - Feb 26 2022

web gemeinsam die magersucht besiegen ein leitfaden f downloaded from portal dlc ui edu ng by guest lee jayla sehnsucht nach geborgenheit walter de gruyter gmbh co kg aufgeweckt beliebt und ein star auf dem rugby feld der 15 jährige ben hatte

alles was er sich nur wünschen konnte aus unerklärlichen gründen

gemeinsam die magersucht besiegen ein leitfaden für - Aug 15 2023

web jan 1 2001 ein leitfaden für betroffene freunde und angehörige dieses buch hilft magersucht nicht nur zu verstehen sondern auch sie gemeinsam zu bewältigen die autorinnen beschreiben wie die krankheit sich anfühlt und erklären ursachen und behandlungsmöglichkeiten anhand zahlreicher beispiele

beratungsstellen at gemeinsam die magersucht besiegen ein leitfaden - Dec 27 2021

web beratungsstellen at gemeinsam die magersucht besiegen ein leitfaden für betroffene freunde und angehörige isbn 9783407858498 login gemeinsam die magersucht besiegen ein leitfaden für betroffene freunde und angehörige von janet treasure june alexander taschenbuch

gemeinsam die magersucht besiegen ein leitfaden für - Nov 06 2022

web gemeinsam die magersucht besiegen ein leitfaden für betroffene freunde und angehörige 17 januar 2011 isbn kostenloser versand für alle bücher mit versand und verkauf durch amazon januar 2011 amazon de bücher

gemeinsam die magersucht besiegen ein leitfaden für betroffene - Dec 07 2022

web gemeinsam die magersucht besiegen ein leitfaden für betroffene freunde und angehörige ebook treasure janet alexander june hafferl gattermeyer andrea karwautz andreas bischoff ursula amazon de kindle shop

gemeinsam magersucht besiegen leitfaden iberlibro - Sep 04 2022

web gemeinsam die magersucht besiegen ein leitfaden für betroffene freunde und angehörige campus concret de janet treasure y una gran selección de libros arte y artículos de colección disponible en iberlibro com
pdf gemeinsam die magersucht besiegen ein leitfaden f - Oct 05 2022

web gemeinsam die magersucht besiegen ein leitfaden f Überwindung der essstörung als weg ins gleichgewicht jan 08 2021 astrid kathrein entwirft auf basis von gesprächen mit frauen die die anorexie und oder bulimie überwunden haben ein modell zu persönlichen entwicklungswegen aus der essstörung nicht die abwesenheit von schwierigkeiten

gemeinsam die magersucht besiegen ein leitfaden f pdf - Jun 01 2022

web gemeinsam die magersucht besiegen ein leitfaden f ratgeber magersucht anorexia nervosa the anxiety cure die wirkung i sehnsucht nach geborgenheit eating in the light of the moon Grundlagen der psychiatrie hungersüchtig leichtigkeitsliebend magersucht selbsthilfe buch sexueller missbrauch misshandlung vernachlässigung

gemeinsam die magersucht besiegen ein leitfaden f copy - Jul 02 2022

web dazu werden zunächst die symptome krankheitsverläufe und prognosen der magersucht und bulimie einzeln betrachtet um ein genaues bild über diese formen der essstörungen zu erhalten daran schließt sich die frage an welche bedingungen zur entstehung dieser krankheitsbilder beitragen können dementsprechend werden die ursachen und

gemeinsam die magersucht besiegen ein leitfaden für - Apr 11 2023

web jun 25 2023 *gemeinsam die magersucht besiegen ein leitfaden für betroffene freunde und angehörige* by janet treasure june alexander andreas karwautz andrea hafferl gattermeyer ursula bischoff gut leben und gemeinsam die magersucht besiegen ein leitfaden für gemeinsam die magersucht besiegen ein leitfaden für wegen kind

gemeinsam die magersucht besiegen ein leitfaden für - May 12 2023

web gemeinsam die magersucht besiegen book read reviews from world s largest community for readers dieses buch hilft die magersucht nicht nur zu verstehen

gemeinsam die magersucht besiegen ein leitfaden f pdf free - Apr 30 2022

web in a world driven by information and connectivity the ability of words has become more evident than ever they have the ability to inspire provoke and ignite change such may be the essence of the book gemeinsam die magersucht besiegen ein leitfaden f pdf a literary masterpiece that delves deep into the

janet treasure gemeinsam diemagersucht besiegen - Feb 09 2023

web gemeinsam die magersucht besiegen ein leitfaden für betroffene freunde und angehörige aus dem englischen von andreas karwautz und andrea hafferl gattermeyer treasure titel indd 3 05 07 2012 17 43 18

gemeinsam magersucht besiegen leitfaden zvab - Jan 08 2023

web gemeinsam die magersucht besiegen ein leitfaden für betroffene freunde und angehörige campus concret von janet treasure und eine große auswahl ähnlicher bücher kunst und sammlerstücke erhältlich auf zvab com

gemeinsam die magersucht besiegen ein leitfaden für - Mar 10 2023

web jun 25 2023 *browse the gemeinsam die magersucht besiegen ein leitfaden für betroffene freunde und angehörige* by janet treasure june alexander andreas karwautz andrea hafferl gattermeyer ursula bischoff join that we have the funds for here and check out the link you could buy handbook gemeinsam die magersucht besiegen ein

gemeinsam die magersucht besiegen ein leitfaden für - Mar 30 2022

web may 31st 2020 traditionsaufbruch die bedeutung der pflege christlicher i by das intelligente haus arbeiten und wohnen mit zukunftsweis by traenkler hans rolf schneider friedrich träume sind wahr gedanken zur nacht german gemeinsam die magersucht besiegen ein leitfaden für april 9th 2020 gemeinsam die magersucht besiegen finden sie alle b

sueña student edition with supersite code and student activities - Jul 13 2023

web jan 1 2015 *sueña 3rd edition student edition with supersite code and student activities manual bundle* sueña student edition with supersite code and student activities manual bundle by José A Blanco goodreads

suena student activities manual answer key - Aug 14 2023

web june 23rd 2018 suena student activities manual answers suena student activities manual answers answer key dry ice lab

questions answer key chapter 11 money in review answers june 12th 2018 read and download suena student activities manual answer key free ebooks in pdf format nov 2018 p2 english

[suena answer key abebooks](#) - Nov 05 2022

web suena espanol sin barreras student activities manual answer key curso intermedio breve and a great selection of related books art and collectibles available now at abebooks co uk

suena student activities manual answer key test naf - Dec 06 2022

web jun 21 2023 retrieve and set up the suena student activities manual answer key it is entirely easy then currently we extend the associate to buy and create bargains to download and install suena student activities manual

[how to pronounce suena howtopronounce com](#) - Mar 29 2022

web how to say suena in english pronunciation of suena with 2 audio pronunciations 1 meaning 14 translations and more for suena

[read free motifs student activities manual](#) - Jul 01 2022

web student activities manual for mosaicos may 30 2022 intrigue jun 18 2021 answer key for student activities manual for gente nivel basico dec 05 2022 the answer key includes answers to all activities in the student activities manual student activities manual to accompany en bonne forme eighth edition may 06 2020

suena espanol sin barreras student activities manual answer key - Apr 10 2023

web suena espanol sin barreras student activities manual answer key curso intermedio breve isbn 10 1593349211 isbn 13 9781593349219 vista higher learning softcover suena espanol sin barreras student activities manual answer key curso intermedio breve 9781593349219 abebooks

[suena student activities manual answer key imgur](#) - Mar 09 2023

web discover the magic of the internet at imgur a community powered entertainment destination lift your spirits with funny jokes trending memes entertaining gifs inspiring stories viral videos and so much more from users like shitsugita19

suena student activities manual answers 2022 - Aug 02 2022

web suena student activities manual answers historical linguistics por qué 101 questions about spanish assessing language production using salt software como se dice imagina 3e suena 3e answer key tapis volant 1 4th edition student book 501 french verbs learning to read the world a new reference grammar of modern spanish

suena student activities manual 2nd edition paperback - Jun 12 2023

web hello select your address all

suena student activities manual answers soumission pegases - Sep 03 2022

web suena student activities manual answers 3 3 engaging articles written by native spanish speakers each one provides a

bilingual glossary on the same page allowing you to learn without stopping to look up new or unfamiliar words each chapter contains several exercises to reinforce comprehension and the new premium edition features streaming

suena student activities manual answer key issuu - Oct 16 2023

web sep 25 2017 suena student activities manual answer key save this book to read suena student activities manual answer key pdf ebook at our online library get suena student activities manual answer key

nuevo suena 1 cuaderno de ejercicios while stock lasts - Jan 07 2023

web oct 1 2015 the workbook provides a range of activities to further reinforce language skills such as fill in the blanks dictation and word finds the workbook contains 1 audio cd and answer key the teacher s book includes teaching notes further activities audio transcriptions and 1 audio cd

suena student activities manual answers 2022 bi leadsherpa - May 31 2022

web translation issue or text type shorter targeted activities are combined with lengthier translation practice throughout the book learners will find a wealth of material from a range of genres and text types including literary expository persuasive and audiovisual texts an answer key to activities as well as

what does suena mean definitions net - Feb 25 2022

web meaning of suena what does suena mean information and translations of suena in the most comprehensive dictionary definitions resource on the web login the stands4 network abbreviations anagrams biographies calculators activity log pending definitions missing definitions most popular random entry services

suena student activities manual answer key - May 11 2023

web suena student activities manual answer key adalon de suena student activities manual answer key manual book suena student activities manual answer key online

free answer key arriba student activities manual - Apr 29 2022

web answer key arriba student activities manual ciao jun 30 2020 chez nous oct 27 2022 note this is the standalone book if you want the book access card order the isbn below 0205949452 9780205949458 chez nous media enhanced version plus myfrenchlab multi semester access with etext access card package 4 e package

answers to suena workbook esdocs com - Sep 15 2023

web plazas lugar de encuentros 3rd edition answer key and lab audio script student activities manual answer key unidad 9 workbook activities answer key mi coche azul suena su claxon cada vez que yo sueño con cecilia textbook answer key see related pages textbook anwer key appendix 5 32 0k textbook anwer key

suena student activities manual answers - Oct 04 2022

web 2 suena student activities manual answers 2022 04 25 california a jesuit church in rome or the intramuros quarter in

manila or when we hear spanish being spoken in a myriad of accents in the streets of san francisco new orleans or manhattan we are experiencing some of the past and present fruits of an always vibrant and still expanding suena student activities manual answer key imgur - Feb 08 2023
web find rate and share the best memes and images discover the magic of the internet at imgur