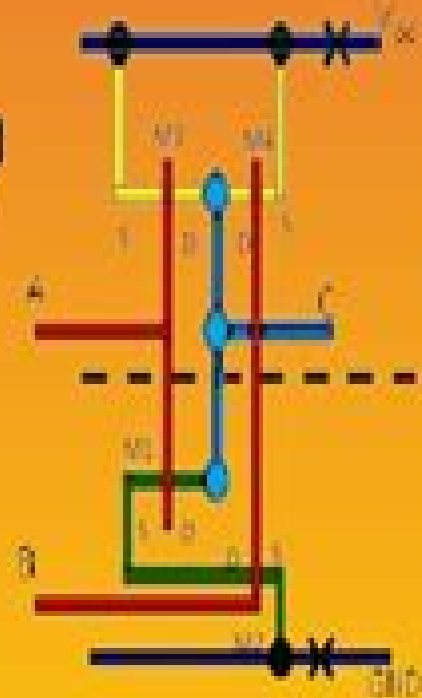
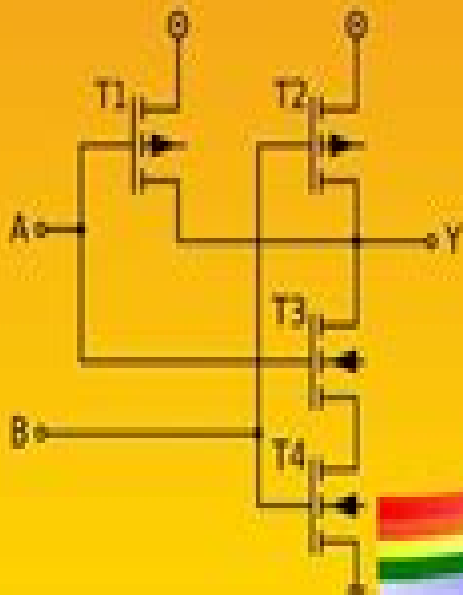
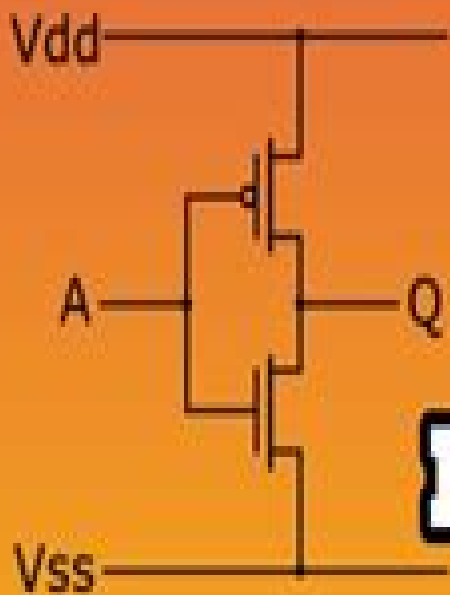


HOW TO DRAW STICK DIAGRAMS ?



How To Draw Stick Diagram In Vlsi

D Sidentop



How To Draw Stick Diagram In Vlsi:

How To Draw Stick Diagram In Vlsi Book Review: Unveiling the Power of Words

In a global driven by information and connectivity, the power of words has are more evident than ever. They have the ability to inspire, provoke, and ignite change. Such may be the essence of the book **How To Draw Stick Diagram In Vlsi**, a literary masterpiece that delves deep to the significance of words and their affect our lives. Compiled by a renowned author, this captivating work takes readers on a transformative journey, unraveling the secrets and potential behind every word. In this review, we will explore the book is key themes, examine its writing style, and analyze its overall impact on readers.

https://staging.conocer.cide.edu/book/virtual-library/index.jsp/making_him_sweat_mills_boon_blaze.pdf

Table of Contents How To Draw Stick Diagram In Vlsi

1. Understanding the eBook How To Draw Stick Diagram In Vlsi
 - The Rise of Digital Reading How To Draw Stick Diagram In Vlsi
 - Advantages of eBooks Over Traditional Books
2. Identifying How To Draw Stick Diagram In Vlsi
 - Exploring Different Genres
 - Considering Fiction vs. Non-Fiction
 - Determining Your Reading Goals
3. Choosing the Right eBook Platform
 - Popular eBook Platforms
 - Features to Look for in an How To Draw Stick Diagram In Vlsi
 - User-Friendly Interface
4. Exploring eBook Recommendations from How To Draw Stick Diagram In Vlsi
 - Personalized Recommendations
 - How To Draw Stick Diagram In Vlsi User Reviews and Ratings
 - How To Draw Stick Diagram In Vlsi and Bestseller Lists
5. Accessing How To Draw Stick Diagram In Vlsi Free and Paid eBooks

- How To Draw Stick Diagram In Vlsi Public Domain eBooks
 - How To Draw Stick Diagram In Vlsi eBook Subscription Services
 - How To Draw Stick Diagram In Vlsi Budget-Friendly Options
6. Navigating How To Draw Stick Diagram In Vlsi eBook Formats
 - ePub, PDF, MOBI, and More
 - How To Draw Stick Diagram In Vlsi Compatibility with Devices
 - How To Draw Stick Diagram In Vlsi Enhanced eBook Features
 7. Enhancing Your Reading Experience
 - Adjustable Fonts and Text Sizes of How To Draw Stick Diagram In Vlsi
 - Highlighting and Note-Taking How To Draw Stick Diagram In Vlsi
 - Interactive Elements How To Draw Stick Diagram In Vlsi
 8. Staying Engaged with How To Draw Stick Diagram In Vlsi
 - Joining Online Reading Communities
 - Participating in Virtual Book Clubs
 - Following Authors and Publishers How To Draw Stick Diagram In Vlsi
 9. Balancing eBooks and Physical Books How To Draw Stick Diagram In Vlsi
 - Benefits of a Digital Library
 - Creating a Diverse Reading Collection How To Draw Stick Diagram In Vlsi
 10. Overcoming Reading Challenges
 - Dealing with Digital Eye Strain
 - Minimizing Distractions
 - Managing Screen Time
 11. Cultivating a Reading Routine How To Draw Stick Diagram In Vlsi
 - Setting Reading Goals How To Draw Stick Diagram In Vlsi
 - Carving Out Dedicated Reading Time
 12. Sourcing Reliable Information of How To Draw Stick Diagram In Vlsi
 - Fact-Checking eBook Content of How To Draw Stick Diagram In Vlsi
 - Distinguishing Credible Sources
 13. Promoting Lifelong Learning
 - Utilizing eBooks for Skill Development

- Exploring Educational eBooks
- 14. Embracing eBook Trends
 - Integration of Multimedia Elements
 - Interactive and Gamified eBooks

How To Draw Stick Diagram In Vlsi Introduction

Free PDF Books and Manuals for Download: Unlocking Knowledge at Your Fingertips In today's fast-paced digital age, obtaining valuable knowledge has become easier than ever. Thanks to the internet, a vast array of books and manuals are now available for free download in PDF format. Whether you are a student, professional, or simply an avid reader, this treasure trove of downloadable resources offers a wealth of information, conveniently accessible anytime, anywhere. The advent of online libraries and platforms dedicated to sharing knowledge has revolutionized the way we consume information. No longer confined to physical libraries or bookstores, readers can now access an extensive collection of digital books and manuals with just a few clicks. These resources, available in PDF, Microsoft Word, and PowerPoint formats, cater to a wide range of interests, including literature, technology, science, history, and much more. One notable platform where you can explore and download free How To Draw Stick Diagram In Vlsi PDF books and manuals is the internet's largest free library. Hosted online, this catalog compiles a vast assortment of documents, making it a veritable goldmine of knowledge. With its easy-to-use website interface and customizable PDF generator, this platform offers a user-friendly experience, allowing individuals to effortlessly navigate and access the information they seek. The availability of free PDF books and manuals on this platform demonstrates its commitment to democratizing education and empowering individuals with the tools needed to succeed in their chosen fields. It allows anyone, regardless of their background or financial limitations, to expand their horizons and gain insights from experts in various disciplines. One of the most significant advantages of downloading PDF books and manuals lies in their portability. Unlike physical copies, digital books can be stored and carried on a single device, such as a tablet or smartphone, saving valuable space and weight. This convenience makes it possible for readers to have their entire library at their fingertips, whether they are commuting, traveling, or simply enjoying a lazy afternoon at home. Additionally, digital files are easily searchable, enabling readers to locate specific information within seconds. With a few keystrokes, users can search for keywords, topics, or phrases, making research and finding relevant information a breeze. This efficiency saves time and effort, streamlining the learning process and allowing individuals to focus on extracting the information they need. Furthermore, the availability of free PDF books and manuals fosters a culture of continuous learning. By removing financial barriers, more people can access educational resources and pursue lifelong learning, contributing to personal growth and professional development. This democratization of knowledge promotes intellectual curiosity and

empowers individuals to become lifelong learners, promoting progress and innovation in various fields. It is worth noting that while accessing free How To Draw Stick Diagram In Vlsi PDF books and manuals is convenient and cost-effective, it is vital to respect copyright laws and intellectual property rights. Platforms offering free downloads often operate within legal boundaries, ensuring that the materials they provide are either in the public domain or authorized for distribution. By adhering to copyright laws, users can enjoy the benefits of free access to knowledge while supporting the authors and publishers who make these resources available. In conclusion, the availability of How To Draw Stick Diagram In Vlsi free PDF books and manuals for download has revolutionized the way we access and consume knowledge. With just a few clicks, individuals can explore a vast collection of resources across different disciplines, all free of charge. This accessibility empowers individuals to become lifelong learners, contributing to personal growth, professional development, and the advancement of society as a whole. So why not unlock a world of knowledge today? Start exploring the vast sea of free PDF books and manuals waiting to be discovered right at your fingertips.

FAQs About How To Draw Stick Diagram In Vlsi Books

What is a How To Draw Stick Diagram In Vlsi PDF? A PDF (Portable Document Format) is a file format developed by Adobe that preserves the layout and formatting of a document, regardless of the software, hardware, or operating system used to view or print it. **How do I create a How To Draw Stick Diagram In Vlsi PDF?** There are several ways to create a PDF: Use software like Adobe Acrobat, Microsoft Word, or Google Docs, which often have built-in PDF creation tools. Print to PDF: Many applications and operating systems have a "Print to PDF" option that allows you to save a document as a PDF file instead of printing it on paper. Online converters: There are various online tools that can convert different file types to PDF. **How do I edit a How To Draw Stick Diagram In Vlsi PDF?** Editing a PDF can be done with software like Adobe Acrobat, which allows direct editing of text, images, and other elements within the PDF. Some free tools, like PDFescape or Smallpdf, also offer basic editing capabilities. **How do I convert a How To Draw Stick Diagram In Vlsi PDF to another file format?** There are multiple ways to convert a PDF to another format: Use online converters like Smallpdf, Zamzar, or Adobe Acrobats export feature to convert PDFs to formats like Word, Excel, JPEG, etc. Software like Adobe Acrobat, Microsoft Word, or other PDF editors may have options to export or save PDFs in different formats. **How do I password-protect a How To Draw Stick Diagram In Vlsi PDF?** Most PDF editing software allows you to add password protection. In Adobe Acrobat, for instance, you can go to "File" -> "Properties" -> "Security" to set a password to restrict access or editing capabilities. Are there any free alternatives to Adobe Acrobat for working with PDFs? Yes, there are many free alternatives for working with PDFs, such as: LibreOffice: Offers PDF editing features. PDFsam: Allows splitting, merging, and editing

PDFs. Foxit Reader: Provides basic PDF viewing and editing capabilities. How do I compress a PDF file? You can use online tools like Smallpdf, ILovePDF, or desktop software like Adobe Acrobat to compress PDF files without significant quality loss. Compression reduces the file size, making it easier to share and download. Can I fill out forms in a PDF file? Yes, most PDF viewers/editors like Adobe Acrobat, Preview (on Mac), or various online tools allow you to fill out forms in PDF files by selecting text fields and entering information. Are there any restrictions when working with PDFs? Some PDFs might have restrictions set by their creator, such as password protection, editing restrictions, or print restrictions. Breaking these restrictions might require specific software or tools, which may or may not be legal depending on the circumstances and local laws.

Find How To Draw Stick Diagram In Vlsi :

[making him sweat mills boon blaze](#)

[making practice fun 35 answers](#)

making practice 57 answers

[malpais review vol 5 no 2 fall 2014 vol 5 no 2 fall 2014](#)

[mallard sprinter motorhome repair manual](#)

malaguti f10 f 10 workshop repair service manual

[management eleventh edition robbins and coulter](#)

management advisory services by roque solution manual

malaguti f12 service manual

[malaguti f12 phantom full service repair manual](#)

[making money selling a recipe](#)

[man f2000 service manual engine](#)

[management by ego](#)

[makerere university private 2015 2016](#)

[making practice fun 38 41 special products factoring trinomials](#)

How To Draw Stick Diagram In Vlsi :

[stulz descargar manuales de usuario manualslib - May 03 2022](#)

[web ver y descargar más de 109 stulz manuales de usuario en pdf manuales de servicio guías de operación refrigeradores](#)

manuales de usuario guías de operación y especificaciones

index 58 issue 07 2013 air conditioning - May 15 2023

web the object of this manual is a microprocessor controller for air conditioners used in telecommunication area c2020 controller manages all main functions of air conditioning units with two basic purposes temperature control with cooling and heating the cooling mode can be obtained either by the compressor

stulz e2 series manuals manualslib - Aug 06 2022

web manuals and user guides for stulz e2 series we have 1 stulz e2 series manual available for free pdf download operation manual stulz e2 series operation manual 76 pages

manual c2020 stulz help environment harvard edu - Mar 01 2022

web manual c2020 stulz is available in our book collection an online access to it is set as public so you can download it instantly our digital library hosts in multiple countries allowing you to get the most less latency time to download any of our books like this one kindly say the manual c2020 stulz is universally compatible with any devices

stulz tlua4hr142z000 betriebs und wartungsanleitung - Sep 07 2022

web ansicht und herunterladen stulz tlua4hr142z000 betriebs und wartungsanleitung online questo manuale e parte integrante del prodotto e deve accompagnarlo fino al suo 2 6 230vac set min 207v set max 253v hist 5v ondel 0 1s udel 0 1s 1 5mm² 1 5mm² 1 5mm² 1 5mm² acfan vc c2020 12 101 8 12

stulz c2020 operating instructions manual pdf - Sep 19 2023

web view and download stulz c2020 operating instructions manual online i o air conditioning c2020 controller pdf manual download

stulz c2020 operating instructions manual all guides - Nov 09 2022

web download operating instructions manual of stulz c2020 controller for free or view it online on all guides com brand stulz category controller

stulz c2020 operating instructions manual guidessimo com - Oct 08 2022

web may 26 2023 □ download stulz c2020 manual total pages 109 for free in pdf find more compatible user manuals for your stulz c2020 controller device

stulz technical document downloads stulz usa - Jul 17 2023

web engineering manuals cyberair cw engineering manual download cyberair dx engineering manual download cyberone cw engineering manual download cyberone dx engineering manual download

manual c2020 stulz orientation sutd edu - Apr 02 2022

web view and download stulz c2020 operating instructions manual online i o air conditioning c2020 controller pdf manual

download view and download stulz e2 series operation manual online microprocessor

manual c2020 stulz pdf pdf vodice - Jul 05 2022

web manual c2020 stulz pdf pdf is available in our digital library an online access to it is set as public so you can get it instantly our books collection saves in multiple locations allowing you to get the most less latency time to download any of our books like this one

stulz c2020 operating instructions manual all guides - Dec 10 2022

web download operating instructions manual of stulz c2020 controller for free or view it online on all guides com brand stulz category controller

stulz manuals and user guides - Feb 12 2023

web stulz c2020 manuals stulz controller c2020 operating instructions manual 109 pages 2 stulz e2 series manuals stulz controller e2 series operation manual 76 pages 3 stulz stulz ultra series manuals stulz controller stulz ultra series installation operation maintenance 64 pages

stulz c2020 manuals user guides - Jun 16 2023

web stulz c2020 manuals user guides user manuals guides and specifications for your stulz c2020 controller database contains 1 stulz c2020 manuals available for free online viewing or downloading in pdf operating instructions manual manual c2020 stulz - Jun 04 2022

web stulz c2020 operating instructions manual pdf download stulz e2 series operation manual pdf download april 25th 2018 view and download stulz e2 series operation manual online microprocessor controller for perimeter precision air conditioners e2 series controller pdf manual download

stulz c2020 operating instructions manual all guides - Apr 14 2023

web download operating instructions manual of stulz c2020 controller for free or view it online on all guides com brand stulz category controller

stulz c2020 manuals manualslib - Aug 18 2023

web manuals and user guides for stulz c2020 we have 1 stulz c2020 manual available for free pdf download operating instructions manual

stulz user manuals download manualslib - Jan 11 2023

web view download of more than 442 stulz pdf user manuals service manuals operating guides air conditioner chiller user manuals operating guides specifications

manual c2020 stulz brabantmagazines nl - Jan 31 2022

web assault of noise and distractions yet nestled within the musical pages of manual c2020 stulz a interesting work of

fictional elegance that impulses with natural emotions lies an wonderful journey waiting to be embarked upon penned with a virtuoso wordsmith that interesting opus manuals viewers

stulz controller communications manual - Mar 13 2023

web stulz cyberrow chilled water series installation operation maintenance manual dec 2013 january 2014 ocu0147 specifications subject to change without notice iso 9001 quality management system requirements stulz air technology systems inc 1572 tilco drive frederick maryland 21704 phone 301 620 2033 fax 301 662 5487

editions of like a mighty wind by mel tari goodreads - Aug 04 2022

web editions for like a mighty wind 0892211237 paperback published in 1995 1614580022 kindle edition published in 1978 0881130419 paperback published home my books

[like a mighty wind archive org](#) - Jul 15 2023

web the gentle breeze of jesus 1974 3 like a mighty wind by mel tari as told to cliff dudley creation house carol stream illinois 1971 by creation house all rights reserved published by creation house 499 gundersen drive carol stream illinois 60187

like a mighty wind by mel tari books on google play - Jan 09 2023

web mel tari jun 1997 new leaf publishing group 4 7 star 38 reviews ebook 176 pages family home eligible info 5 99 ebook free sample about this ebook arrow forward when we believe the bible as it

like a mighty wind kindle edition amazon co uk - May 01 2022

web the spirit of god that swept across the island like a mighty wind continues today throughout indonesia although persecution of christians is all too common the story of god s powerful revival in this region remains a testament to the truth of god s word and serves as a reminder to all believers that the spirit of god manifests in

[like a mighty wind by mel tari open library](#) - Feb 27 2022

web jan 14 2023 like a mighty wind by mel tari 1995 new leaf press edition in english new leaf press ed

like a mighty wind mel tari google books - May 13 2023

web jun 1 1997 translated into dozens of languages with millions of copies sold like a mighty wind remains a beloved classic from global evangelist mel tari recounting the incredible story of revival on

[like a mighty wind mel tari cliff dudley google books](#) - Mar 11 2023

web like a mighty wind mel tari cliff dudley new leaf press 1991 religion 176 pages translated into dozens of languages with millions of copies sold like a mighty wind remains a

[like a mighty wind mel tari archive org](#) - Jun 14 2023

web like a mighty wind by publication date 1995 topics evangelistic work revivals publisher green forest ar new leaf press

[like a mighty wind by mel tari open library](#) - Oct 06 2022

web oct 12 2020 like a mighty wind by mel tari 1971 creation house edition in english 1st ed

like a mighty wind tari mel 9780892211234 books - Mar 31 2022

web jul 1 1996 in his book mel takes the reader back to simple trust in the truth and power of the bible we read about the indonesian revival how christians young and old were transformed by the holy spirit

like a mighty wind by mel tari z library - Jan 29 2022

web discover like a mighty wind book written by mel tari explore like a mighty wind in z library and find free summary reviews read online quotes related books ebook resources

like a mighty wind by mel tari paperback barnes noble - Dec 28 2021

web apr 15 2001 overview beyond his authoritative message is his radiant christ like spirit that reveals a deep devotion to his lord and ministers love and joy which transforms lives wherever he goes

amazon com like a mighty wind ebook tari mel dudley cliff - Sep 05 2022

web mar 31 1978 indonesian evangelist mel tari b 1946 was one of the leaders of the indonesian revival his book like a mighty wind is a veritable indonesian book of acts claiming that he has foiled witches cast out demons healed the sick and raised the dead himself and was receiving constant revelations directly from god

like a mighty wind mel tari cliff dudley 9780892211234 - Jul 03 2022

web translated into dozens of languages with millions of copies sold like a mighty wind remains a beloved classic from global evangelist mel tari recounting the incredible story of revival on the island of timor during 1965 in the midst of political turmoil the book is an amazing testament to the power of faith and the reality of god s power to

like a mighty wind by mel tari read online on bookmate - Nov 07 2022

web mel tari translated into dozens of languages with millions of copies sold like a mighty wind remains a beloved classic from global evangelist mel tari recounting the incredible story of revival on the island of timor during 1965 in the midst of political turmoil the book is an amazing testament to the power of faith and the reality of god

like a mighty wind amazon co uk tari mel books - Jun 02 2022

web tari became a well known evangelist and missionary to the world from timor authoring the bestselling book like a mighty wind which documents the amazing events of this spiritual revival in asia translated into dozens of language the book has become a classic with its message of a childlike faith in the reality of the holy spirit and the

[like a mighty wind mel tari cliff dudley amazon com tr kitap](#) - Dec 08 2022

web like a mighty wind mel tari cliff dudley amazon com tr kitap Çerez tercihlerinizi seçin Çerez bildirimimizde ayrıntılı şekilde açıklandığı üzere alışveriş yapmanızı sağlamak alışveriş deneyiminizi iyileştirmek ve hizmetlerimizi sunmak için gerekli olan çerezleri ve benzer araçları kullanırız

like a mighty wind by mel tari goodreads - Apr 12 2023

web jan 1 2001 543 ratings40 reviews translated into dozens of languages with millions of copies sold like a mighty wind remains a beloved classic from global evangelist mel tari recounting the incredible story of revival on the island of timor during 1965 in the midst of political turmoil the book is an amazing testament to the power of faith and the

[like a mighty wind mel tari cliff dudley 9780892211234](#) - Aug 16 2023

web feb 1 1995 like a mighty wind paperback february 1 1995 by mel tari author cliff dudley author 4 8 787 ratings see all formats and editions translated into dozens of languages with millions of copies sold like a mighty wind remains a beloved classic from global evangelist mel tari

like a mighty wind mel tari google books - Feb 10 2023

web jun 1 1997 translated into dozens of languages with millions of copies sold like a mighty wind remains a beloved classic from global evangelist mel tari recounting the incredible story of revival

the service culture handbook free summary by jeff toister - Jun 03 2022

web jeff toister the service culture handbook a step by step guide to getting your employees obsessed with customer service jeff toister 2017 15 min read 10 take aways audio text what s inside customer service expert jeff toister explains how to deliver outstanding profitable customer service 1 log in to listen to the audio

pdf the service culture handbook a step by step guide to - Apr 01 2022

web apr 25 2022 the service culture handbook a step by step guide to getting your employees obsessed with customer service copy link in description and paste in new tab to download or read this book more documents recommendations info

the service culture handbook a step by step guide to getting - Aug 05 2022

web the service culture handbook a step by step guide to getting your employees obsessed with customer service paperback 23 march 2017 by jeff toister author 4 6 368 ratings see all formats and editions kindle edition 0 00 this title and over 1 million more available with kindle unlimited 449 00 to buy audiobook

the service culture handbook a step by step guide to g - Jun 15 2023

web apr 2 2017 the service culture handbook is a step by step guide to help you develop a customer focused culture in your company department or location whether you re just beginning your journey or have been working on culture for years this handbook will prepare you to take the next step

pdf download the service culture handbook a step by step guide - May 02 2022

web jul 24 2020 in short imagine a workplace culture where employees were absolutely obsessed with customer service the service culture handbook is a step by step guide to help you develop a customer focused culture in your company department or location

the service culture handbook a step by step guide to getting - Nov 08 2022

web the service culture handbook is a step by step guide to help you develop a customer focused culture in your company department or location whether you re just beginning your journey or have been working on culture for years this handbook will prepare you to take the next step

the service culture handbook a step by step guide to getting - Mar 12 2023

web apr 2 2017 the service culture handbook is a step by step guide to help you develop a customer focused culture in your company department or location whether you re just beginning your journey or have been working on culture for years this handbook will prepare you to take the next step

pdf download the service culture handbook a step by step guide - Dec 29 2021

web pdf download the service culture handbook a step by step guide to getting your employees obsessed with customer service full pages

the service culture handbook a step by step guide to getting - Sep 06 2022

web kahle austin foundation contributor internet archive language english xiii 174 pages 23 cm this book is a step by step guide to help you develop a customer focused culture in your company department or location learn the one thing that forms the foundation of every great culture

the service culture handbook a step by step guide to getting - Jan 10 2023

web the service culture handbook is a step by step guide to help you develop a customer focused culture in your company department or location whether you re just beginning your journey or have been working on culture for years this handbook will prepare you to take the next step

the service culture handbook a step by step guide to getting - Jul 04 2022

web mar 23 2017 the service culture handbook is a step by step guide to help you develop a customer focused culture in your company department or location whether you re just beginning your journey or have been working on culture for years this handbook will prepare you to take the next step

download read the service culture handbook a step by step guide - Jan 30 2022

web mar 14 2020 the service culture handbook a step by step guide to getting your employees obsessed with customer service ebooks the service culture handbook a step by step guide to getting your employees obsessed with customer service are prepared for various factors the most obvious rationale would be to offer it and earn a

the service culture handbook a step by step guide to getting - Aug 17 2023

web mar 23 2017 the service culture handbook is a step by step guide to help you develop a customer focused culture in your company department or location whether you re just beginning your journey or have been working on culture for years

this handbook will prepare you to take the next step

[the service culture handbook a step by step guide to getting](#) - Dec 09 2022

web the service culture handbook a step by step guide to getting your employees obsessed with customer service amazon co uk toister jeff 9780692842003 books business finance law sales marketing customer services buy new 11 99 free returns free delivery friday december 16 details or fastest delivery

the service culture handbook a step by step guide to getting - Apr 13 2023

web mar 23 2017 the service culture handbook is a step by step guide to help you develop a customer focused culture in your company department or location whether you re just beginning your journey

the service culture handbook toolkit neccf - Oct 07 2022

web the service culture handbook is a step by step guide to help you develop a customer focused culture in your organization whether you re just beginning your journey or have been working on culture for years the guidebook will help you take the next step of course the whole point of a guidebook is to actually take the journey

the service culture handbook jeff toister - Feb 11 2023

web the service culture handbook a step by step guide to getting your employees obsessed with customer service the book features examples from leading companies practical tips and step by step instructions for creating a customer focused culture

tools the service culture handbook - Feb 28 2022

web service culture handbook toolkit this toolkit contains tools and worksheets to help you implement concepts from the service culture handbook each tool is tied to a specific chapter from the book download customer service tip of the week discover new ideas and stay sharp with regular reminders you ll get one email with one tip once per week

the service culture handbook - Jul 16 2023

web the service culture handbook is a step by step guide to help you develop a customer focused culture in your organization discover what elite companies do differently learn how they engage employees to embrace a service cultures and deliver consistently outstanding service

the service culture handbook a step by step guide turkey - May 14 2023

web shop the service culture handbook a step by step guide to getting your employees obsessed with customer service paperback march 23 2017 online at a best price in turkey get special offers deals discounts fast delivery options on international shipping with every purchase on ubuy turkey 0692842004