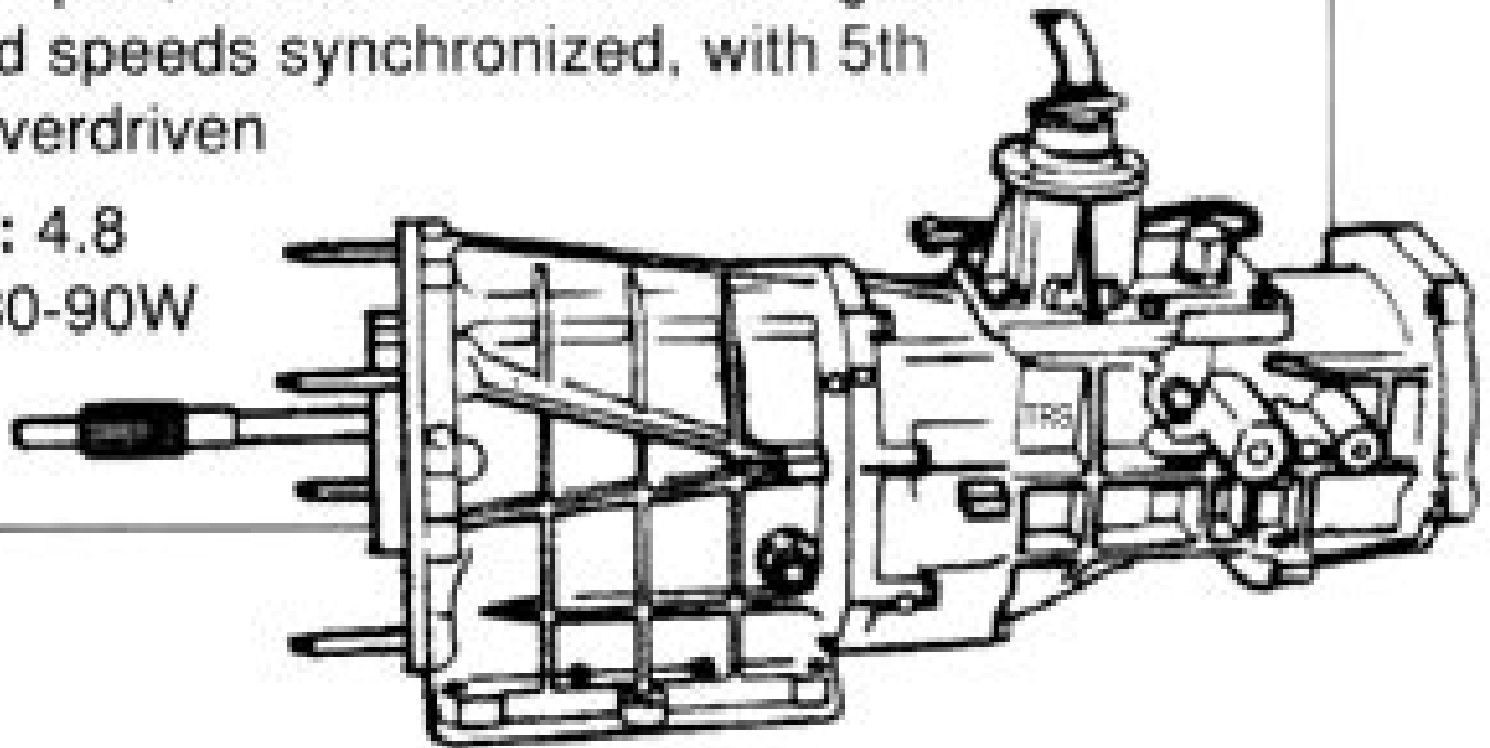


FM-146 five-speed manual overdrive transmission (Mitsubishi)

Application: Bronco II and Ranger 4x4 equipped with 2.9 liter engine 1988 on

Description: Top-shifted, aluminum case, square steel oil pan, detachable bellhousing, all forward speeds synchronized, with 5th gear overdriven

Lube Fill: 4.8
pints 80-90W
gear
lube.



Ford Ranger Manual Transmission

Xiang Xie



Ford Ranger Manual Transmission:

1993-94-95-96-1997 Ford Ranger 5R55E Transmission Repair Manual , This is the PDF service repair manual for the Ford Ranger 1993 1997 Transmission Transference 4x4 system The same manual auto shops and dealers reference to This is not your everyday off the shelf auto store manual This manual is guaranteed to be better than any auto store manual Detailed drawings Detail diagrams Detail step by step instructions Covers more than standard manuals Available as PDF no more damage manuals Chapters include Diagrams Transmission Transference Electrical 4R44E 5R55E Transmissions Automatic Manual 4wd 4x4 Gem Generic Module [93 - 97 Ford Ranger Repair Manual](#) , This is the PDF service repair manual for the

Ford Ranger 1993 1997 The same manual autosops and dealers reference to This isnt your everyday off the shelf autostore manual This manual is guranteed to be better than any autostore manual Detailed drawings Detail diagrams Detail step by step instructions Covers more than standard manuals Available as PDF no more damage manuals Chapters include Body Frame and Mounting Engine Suspension Driveline Brakes Transmission Clutch Exhaust system Fuel system Steering Climate Control system Instrumentation and Warning systems Battery and charging system Audio system Lighting Electrical Power supply *Field & Stream* ,1985-05 FIELD STREAM America s largest outdoor sports magazine celebrates the outdoor

experience with great stories compelling photography and sound advice while honoring the traditions hunters and fishermen have passed down for generations [Field & Stream](#) ,1985-03 FIELD STREAM America s largest outdoor sports magazine celebrates the outdoor experience with great stories compelling photography and sound advice while honoring the traditions hunters and fishermen have passed down for generations **Field & Stream** ,1985-07 FIELD STREAM America s largest outdoor sports magazine celebrates the outdoor experience with great stories compelling photography and sound advice while honoring the traditions hunters and fishermen have passed down for generations *Fuel Economy Guide* ,2001

Field & Stream ,1985-07 FIELD STREAM America s largest outdoor sports magazine celebrates the outdoor experience with great stories compelling photography and sound advice while honoring the traditions hunters and fishermen have passed down for generations **Popular Mechanics** ,1985-03 Popular Mechanics inspires instructs and influences readers to help them master the modern world Whether it s practical DIY home improvement tips gadgets and digital technology information on the newest cars or the latest breakthroughs in science PM is the ultimate guide to our high tech lifestyle

Popular Mechanics ,1986-08 Popular Mechanics inspires instructs and influences readers to help them master the modern world Whether it s practical DIY home improvement tips gadgets and digital technology information on the newest cars or the latest breakthroughs in science PM is the ultimate guide to our high tech lifestyle *The Complete Book of Classic Ford F-Series Pickups* Dan Sanchez,2014-11-19 Learn all there is to know about the most popular vehicles in history Ford s F series pickups are simply the most popular vehicles ever The F150 set a modern day single month sales record for the industry with 126 905 trucks sold in July 2005 the most sales of any single nameplate in any month since the days of the

Ford Model T The F series has been the best selling vehicle in the world for most of the past forty years and to date Ford has produced nearly fifty million models The Complete Book of Classic Ford F Series Pickups covers all the classic models in Ford's popular line of light duty trucks from the first F 1 pickup of 1948 through 1976 *Popular Science*, 1997-11 *Popular Science* gives our readers the information and tools to improve their technology and their world The core belief that *Popular Science* and our readers share The future is going to be better and science and technology are the driving forces that will help make it better *Focus On: 100 Most Popular Sedans* Wikipedia contributors, **American Light Trucks and Utility Vehicles, 1967-1989** J. "Kelly" Flory, Jr., 2019-10-31 The truck's role in American society changed dramatically from the 1960s through the 1980s with the rise of off roaders the van craze of the 1970s and minivan revolution of the 1980s the popularization of the SUV as family car and the diversification of the pickup truck into multiple forms and sizes This comprehensive reference book follows the form of the author's popular volumes on American cars For each year it provides an industry overview and for each manufacturer an update on new models and other news followed by a wealth of data available powertrains popular options paint colors and more Finally each truck is detailed fully with specifications and measurements prices production figures standard equipment and more *Consumers Digest*, 2001 **Popular Mechanics**, 1985-08 *Popular Mechanics* inspires instructs and influences readers to help them master the modern world Whether it's practical DIY home improvement tips gadgets and digital technology information on the newest cars or the latest breakthroughs in science PM is the ultimate guide to our high tech lifestyle **Lemon-Aid Used Cars and Trucks 2011-2012** Phil Edmonston, 2011-04-25 As Toyota skids into an ocean of problems and uncertainty continues in the U S automotive industry *Lemon Aid Used Cars and Trucks 2011-2012* shows buyers how to pick the cheapest and most reliable vehicles from the past 30 years *Lemon Aid* guides are unlike any other car and truck books on the market Phil Edmonston Canada's automotive Dr Phil for 40 years pulls no punches Like five books in one *Lemon Aid Used Cars and Trucks* is an exposé of car scams and gas consumption lies a do it yourself service manual an independent guide that covers beaters lemons and collectibles an archive of secret service bulletins granting free repairs and a legal primer that even lawyers can't beat Phil delivers the goods on free fixes for Chrysler Ford and GM engine transmission brake and paint defects lets you know about Corvette and Mustang tops that fly off gives the lowdown on Honda Hyundai and Toyota engines and transmissions and provides the latest information on computer module glitches **Field & Stream**, 1984-10 *FIELD STREAM* America's largest outdoor sports magazine celebrates the outdoor experience with great stories compelling photography and sound advice while honoring the traditions hunters and fishermen have passed down for generations *Popular Mechanics*, 1981-12 *Popular Mechanics* inspires instructs and influences readers to help them master the modern world Whether it's practical DIY home improvement tips gadgets and digital technology information on the newest cars or the latest breakthroughs in science PM is the ultimate guide to our high tech lifestyle *Gas Mileage Guide. 1984*, 1983 **Field & Stream**, 1985-05

FIELD STREAM America's largest outdoor sports magazine celebrates the outdoor experience with great stories compelling photography and sound advice while honoring the traditions hunters and fishermen have passed down for generations

Unveiling the Energy of Verbal Beauty: An Emotional Sojourn through **Ford Ranger Manual Transmission**

In some sort of inundated with displays and the cacophony of quick connection, the profound power and mental resonance of verbal art frequently disappear in to obscurity, eclipsed by the continuous onslaught of sound and distractions. Yet, nestled within the lyrical pages of **Ford Ranger Manual Transmission**, a charming work of literary splendor that pulses with natural emotions, lies an memorable trip waiting to be embarked upon. Published by a virtuoso wordsmith, this mesmerizing opus guides readers on a mental odyssey, softly revealing the latent possible and profound impact embedded within the intricate web of language. Within the heart-wrenching expanse of this evocative examination, we will embark upon an introspective exploration of the book is central subjects, dissect their fascinating writing type, and immerse ourselves in the indelible impression it leaves upon the depths of readers souls.

<https://staging.conocer.cide.edu/results/browse/default.aspx/Instruction%20Manual%20Bosch%20Maxx%205.pdf>

Table of Contents Ford Ranger Manual Transmission

1. Understanding the eBook Ford Ranger Manual Transmission
 - The Rise of Digital Reading Ford Ranger Manual Transmission
 - Advantages of eBooks Over Traditional Books
2. Identifying Ford Ranger Manual Transmission
 - Exploring Different Genres
 - Considering Fiction vs. Non-Fiction
 - Determining Your Reading Goals
3. Choosing the Right eBook Platform
 - Popular eBook Platforms
 - Features to Look for in an Ford Ranger Manual Transmission
 - User-Friendly Interface
4. Exploring eBook Recommendations from Ford Ranger Manual Transmission
 - Personalized Recommendations

- Ford Ranger Manual Transmission User Reviews and Ratings
- Ford Ranger Manual Transmission and Bestseller Lists
- 5. Accessing Ford Ranger Manual Transmission Free and Paid eBooks
 - Ford Ranger Manual Transmission Public Domain eBooks
 - Ford Ranger Manual Transmission eBook Subscription Services
 - Ford Ranger Manual Transmission Budget-Friendly Options
- 6. Navigating Ford Ranger Manual Transmission eBook Formats
 - ePub, PDF, MOBI, and More
 - Ford Ranger Manual Transmission Compatibility with Devices
 - Ford Ranger Manual Transmission Enhanced eBook Features
- 7. Enhancing Your Reading Experience
 - Adjustable Fonts and Text Sizes of Ford Ranger Manual Transmission
 - Highlighting and Note-Taking Ford Ranger Manual Transmission
 - Interactive Elements Ford Ranger Manual Transmission
- 8. Staying Engaged with Ford Ranger Manual Transmission
 - Joining Online Reading Communities
 - Participating in Virtual Book Clubs
 - Following Authors and Publishers Ford Ranger Manual Transmission
- 9. Balancing eBooks and Physical Books Ford Ranger Manual Transmission
 - Benefits of a Digital Library
 - Creating a Diverse Reading Collection Ford Ranger Manual Transmission
- 10. Overcoming Reading Challenges
 - Dealing with Digital Eye Strain
 - Minimizing Distractions
 - Managing Screen Time
- 11. Cultivating a Reading Routine Ford Ranger Manual Transmission
 - Setting Reading Goals Ford Ranger Manual Transmission
 - Carving Out Dedicated Reading Time
- 12. Sourcing Reliable Information of Ford Ranger Manual Transmission
 - Fact-Checking eBook Content of Ford Ranger Manual Transmission

- Distinguishing Credible Sources
- 13. Promoting Lifelong Learning
 - Utilizing eBooks for Skill Development
 - Exploring Educational eBooks
- 14. Embracing eBook Trends
 - Integration of Multimedia Elements
 - Interactive and Gamified eBooks

Ford Ranger Manual Transmission Introduction

In the digital age, access to information has become easier than ever before. The ability to download Ford Ranger Manual Transmission has revolutionized the way we consume written content. Whether you are a student looking for course material, an avid reader searching for your next favorite book, or a professional seeking research papers, the option to download Ford Ranger Manual Transmission has opened up a world of possibilities. Downloading Ford Ranger Manual Transmission provides numerous advantages over physical copies of books and documents. Firstly, it is incredibly convenient. Gone are the days of carrying around heavy textbooks or bulky folders filled with papers. With the click of a button, you can gain immediate access to valuable resources on any device. This convenience allows for efficient studying, researching, and reading on the go. Moreover, the cost-effective nature of downloading Ford Ranger Manual Transmission has democratized knowledge. Traditional books and academic journals can be expensive, making it difficult for individuals with limited financial resources to access information. By offering free PDF downloads, publishers and authors are enabling a wider audience to benefit from their work. This inclusivity promotes equal opportunities for learning and personal growth. There are numerous websites and platforms where individuals can download Ford Ranger Manual Transmission. These websites range from academic databases offering research papers and journals to online libraries with an expansive collection of books from various genres. Many authors and publishers also upload their work to specific websites, granting readers access to their content without any charge. These platforms not only provide access to existing literature but also serve as an excellent platform for undiscovered authors to share their work with the world. However, it is essential to be cautious while downloading Ford Ranger Manual Transmission. Some websites may offer pirated or illegally obtained copies of copyrighted material. Engaging in such activities not only violates copyright laws but also undermines the efforts of authors, publishers, and researchers. To ensure ethical downloading, it is advisable to utilize reputable websites that prioritize the legal distribution of content. When downloading Ford Ranger Manual Transmission, users should also consider the potential security risks associated with online platforms. Malicious actors may exploit vulnerabilities in unprotected websites to

distribute malware or steal personal information. To protect themselves, individuals should ensure their devices have reliable antivirus software installed and validate the legitimacy of the websites they are downloading from. In conclusion, the ability to download Ford Ranger Manual Transmission has transformed the way we access information. With the convenience, cost-effectiveness, and accessibility it offers, free PDF downloads have become a popular choice for students, researchers, and book lovers worldwide. However, it is crucial to engage in ethical downloading practices and prioritize personal security when utilizing online platforms. By doing so, individuals can make the most of the vast array of free PDF resources available and embark on a journey of continuous learning and intellectual growth.

FAQs About Ford Ranger Manual Transmission Books

1. Where can I buy Ford Ranger Manual Transmission books? Bookstores: Physical bookstores like Barnes & Noble, Waterstones, and independent local stores. Online Retailers: Amazon, Book Depository, and various online bookstores offer a wide range of books in physical and digital formats.
2. What are the different book formats available? Hardcover: Sturdy and durable, usually more expensive. Paperback: Cheaper, lighter, and more portable than hardcovers. E-books: Digital books available for e-readers like Kindle or software like Apple Books, Kindle, and Google Play Books.
3. How do I choose a Ford Ranger Manual Transmission book to read? Genres: Consider the genre you enjoy (fiction, non-fiction, mystery, sci-fi, etc.). Recommendations: Ask friends, join book clubs, or explore online reviews and recommendations. Author: If you like a particular author, you might enjoy more of their work.
4. How do I take care of Ford Ranger Manual Transmission books? Storage: Keep them away from direct sunlight and in a dry environment. Handling: Avoid folding pages, use bookmarks, and handle them with clean hands. Cleaning: Gently dust the covers and pages occasionally.
5. Can I borrow books without buying them? Public Libraries: Local libraries offer a wide range of books for borrowing. Book Swaps: Community book exchanges or online platforms where people exchange books.
6. How can I track my reading progress or manage my book collection? Book Tracking Apps: Goodreads, LibraryThing, and Book Catalogue are popular apps for tracking your reading progress and managing book collections. Spreadsheets: You can create your own spreadsheet to track books read, ratings, and other details.
7. What are Ford Ranger Manual Transmission audiobooks, and where can I find them? Audiobooks: Audio recordings of books, perfect for listening while commuting or multitasking. Platforms: Audible, LibriVox, and Google Play Books offer

- a wide selection of audiobooks.
8. How do I support authors or the book industry? Buy Books: Purchase books from authors or independent bookstores. Reviews: Leave reviews on platforms like Goodreads or Amazon. Promotion: Share your favorite books on social media or recommend them to friends.
 9. Are there book clubs or reading communities I can join? Local Clubs: Check for local book clubs in libraries or community centers. Online Communities: Platforms like Goodreads have virtual book clubs and discussion groups.
 10. Can I read Ford Ranger Manual Transmission books for free? Public Domain Books: Many classic books are available for free as they're in the public domain. Free E-books: Some websites offer free e-books legally, like Project Gutenberg or Open Library.

Find Ford Ranger Manual Transmission :

instruction manual bosch maxx 5

[instructor solution manual fluid mechanics 9th](#)

[intel board part# aa a81583 3manual](#)

[instruction manual for sharepoint 30](#)

instep bike trailer manual

instruction manual vcr

instruction manual car wash

instructions happiness success step step

instruction manual barudan america

instructional fair inc biology if8765 animal cells

[integrated audit practice case 4th edition answers](#)

[instructional fair if52math practice](#)

insurance claims adjuster study guide

~~instrumentation trade theory n2 book~~

instinct environment and behaviour psychology revivals

Ford Ranger Manual Transmission :

marketing internacional michael r czinkota ilkka a ronkainen - Jul 02 2022

web marketing internacional michael r czinkota ilkka a ronkainen google books este libro líder en el mercado de esta materia combina de forma equilibrada experiencias en la

international marketing michael r czinkota ilkka a ronkainen - Jun 13 2023

web michael r czinkota ilkka a ronkainen dryden press 1998 export marketing 876 pages the second best selling text which is well known for its extremely current coverage unique chapter coverage and prestigious author team who have consulted or *international marketing czinkota michael r ronkainen ilkka a* - Oct 05 2022

web may 22 2003 a completely up to date text for one of the most dynamic upper level and graduate courses in marketing departments today it offers the entire range of international marketing topics beginning with start up operations continuing with new market entry considerations and concluding with the international issues confronting giant global

pdf marketing internacional by michael r czinkota - Dec 27 2021

web yes you can access marketing internacional by michael r czinkota ilkka a ronkainen guadalupe meza y staines magda elizabeth treviño rosales in pdf and or epub format as well as other popular books in negocios y empresa

international marketing michael r czinkota ilkka a ronkainen - Jul 14 2023

web jan 1 2022 michael r czinkota ilkka a ronkainen annie cui cengage learning jan 1 2022 business economics 720 pages examine today s best practices and key issues impacting international

marketing internacional 10a ed michael r czinkota y ilkka ronkainen - Aug 15 2023

web mar 3 2013 datos para catalogación bibliográfica czinkota michael r ilkka a ronkainen marketing internacional décima edición isbn 978 607 481 948 9

ninth edition international business cambridge university - Nov 06 2022

web the internationally cited author team of czinkota ronkainen and gupta balance conceptual understanding of business theory with the day to day realities of business practice preparing students to be and docent of international marketing at the aalto university school of business hse he serves on the review boards of the journal of

marketing internacional by cengage issuu - Sep 04 2022

web jun 18 2019 marketing internacional michael r czinkota georgetown university ilkka a ronkainen georgetown university *reflections on czinkota and ronkainen s international marketing* - Jun 01 2022

web czinkota michael r and ronkainen ilkka a 2003 an international marketing manifesto journal of international marketing 11 march 13 27

international marketing czinkota michael r ronkainen ilkka - Apr 11 2023

web you explore the range of international marketing topics from start up operations and new market entry considerations to key international issues confronting today s giant global marketers updates address international e commerce and

technology as well as the impact of culture and government on marketing throughout the world

marketing internacional michael r czinkota ilkka a ronkainen - Feb 26 2022

web mar 21 2013 michael r czinkota is one of the foremost experts on international business and marketing in the world his insights and counsel are frequently sought by the media global companies and

international marketing michael czinkota ilkka ronkainen - May 12 2023

web aug 18 2006 michael czinkota ilkka ronkainen cengage learning aug 18 2006 business economics 720 pages

international marketing 8th edition is a completely up to date text for one of the most

international marketing 9th edition by michael r czinkota and - Jan 08 2023

web mar 16 2010 international marketing 9th edition by michael r czinkota and ilkka a ronkainen oh south western cengage learning 2010 isbn 13 978 1439 04058 4 approximately 200 00 journal of teaching in international business vol 21 no 1

international marketing 9th edition b

pdf marketing internacionalni czinkota academia edu - Jan 28 2022

web marketing internacionalni czinkota marketing internacionalni czinkota marketing internacionalni czinkota marketing

internacionalni czinkota related papers czinkota capítulo 4 integración económica 1 hilda luque download free pdf view pdf

marketing internacional portuguese o spanish michelle rivera barquetz download

international marketing edition 11 by michael r czinkota ilkka - Dec 07 2022

web jan 1 2022 examine today s best practices and key issues impacting international marketing with the best selling upper level international marketing text czinkota ronkainen cui s international marketing 11e this innovative resource offers cutting edge international marketing strategies and guidelines using the latest

[international marketing czinkota michael r ronkainen ilkka a](#) - Mar 10 2023

web aug 13 2012 michael r czinkota is one of the foremost experts on international business and marketing in the world his insights and counsel are frequently sought by the media global companies and governments all over the world he is a

frequent speaker on issues related to trade trade policy and global business strategies

marketing internacional m r czinkota i a ronkainen - Aug 03 2022

web jan 1 1999 inicio de las actividades de marketing internacional construcción de la base de conocimientos el proceso de exportación intermediarios franquicias y licencias de exportación adaptación del

[international marketing czinkota michael r ronkainen ilkka a](#) - Feb 09 2023

web international marketing czinkota michael r ronkainen ilkka a amazon com tr kitap

[international marketing czinkota michael r ronkainen ilkka a](#) - Mar 30 2022

web abebooks com international marketing 9780357445129 by czinkota michael r ronkainen ilkka a cui annie and a great

selection of similar new used and collectible books available now at great prices

international marketing 9th edition by michael r czinkota and - Apr 30 2022

web feb 26 2010 request pdf on feb 26 2010 john e spillan published international marketing 9th edition by michael r czinkota and ilkka a ronkainen find read and cite all the research you need on

10 rubber band bracelet ideas easy unique craftbuds - Apr 14 2022

jan 26 2023 don t worry some rubber band bracelet ideas don t need a loom but first check the following two quick tutorials to make a rubber band bracelet using the loom and your fingers related 10 cool friendship bracelet patterns for beginner to advanced crafters table of contents 1 how do i make rubber band bracelets use the rainbow loom

how to make loom bands 5 easy rainbow loom bracelet designs youtube - Jan 24 2023

nov 5 2014 rainbow loom bracelet tutorial on how to make loom bands we are making 5 easy rubber band bracelet designs without a loom all you need are rainbow loom ban

instructions tutorials rainbow loom usa webstore - Mar 14 2022

rainbow loom tutorial videos beginner intermediate advanced level videos alpha loom alpha loom patterns videos tips tricks monster tail instructional videos finger loom instructional videos hair loom rubber bands opaque collection jelly collection rainbow loom bracelet tutorials start monster tail bracelet tutorials start

easy to make rubber band loom and bracelet instructables - Mar 26 2023

step 1 gather up some stuff i used a chunk of wood that i had lying around 1 5 x 75 x 6 however just about any size will do six pushpins a pencil and a half inch drill bit step 2 find the center at one end find the center use your drill bit and drill and make a hole step 3 with my pencil i marked where i wanted to place the pins

how to make rubber band bracelets 10 preferred rainbow loom patterns - Oct 21 2022

jan 5 2023 these rainbow loom rubber band bracelets are easy by kids toward make in are 10 rubber band bracelet instructions to follow

loom love how to make rainbow loom bracelets rainbow loom - Feb 10 2022

want to learn how to make rainbow loom bracelets we ve found many rainbow loom instructions and patterns we love making bracelets creating and finding helpful loom tutorials

a new rubber band bracelet pattern twistz bandz rainbow loom - Jun 28 2023

here is a new loom bracelet pattern about the rainbow loom colorful rubber bands can make different patterned bracelets rings and even a mini handbag ther

how to make rubber band bracelets 25 bracelet patterns - Aug 31 2023

here s your guide to 25 free rubber band bracelet patterns with clear step by step instructions that make the process simple

for beginners and experts alike from the classic hexafish rainbow loom bracelet design to the trendy diy fishtail rubber band bracelet there s a variety of patterns available to match everyone s taste

[instructions on how to make rainbow loom designs loom bracelets](#) - Nov 21 2022

fishtail another easy design for beginners have a play with the fishtail design in the colours of the rainbow double band fishtail once you have mastered the fishtail design try this one see how many colour combinations you can do double cross once you have had some practice on your rainbow loom this will be another easy design to try zigzag

the ultimate rainbow loom guide instructables - Feb 22 2023

the ultimate rainbow loom guide time to start making with your rainbow loom we ll get you started with making a basic bracelet on the loom and work you up to making crazy starburst bracelets and fun little charms

all your favorite patterns in one place rainbow loom patterns - May 28 2023

rainbow loom patterns is proud to present to you our collection of bracelets categorized into beginner intermediate and advanced levels bracelets are what made the rainbow loom popular these bracelets can also be made on other looms as well including bandaloom wonder loom cra z loom and funloom

how to make loom bracelets with pictures wikihow - Jul 30 2023

jun 16 2019 to make a loom bracelet you ll need rubber loom bands a loom and a metal hook tool get started by making an infinity loop on the lower left rungs of your loom using 2 bands then place 4 more bands on the same rungs but

how to make loom bands for beginners gathered - Jul 18 2022

feb 25 2022 how to make loom bands video guide for beginners how to make loom bands step by step 3 easy ways to make a bracelet we ve picked two ways you can use your fingers while in the third we show you how to make rainbow loom bands using the rainbow loom

[rubberband bracelet loom by steedmaker printables com](#) - Jun 16 2022

related models this is a loom for creating rubber band bracelets it is designed to fit two base plates together for longer projects download free 3d printable stl models

make a basic rubber band bracelet rubber band loom - Oct 01 2023

step 1 the loom must be facing the right direction make sure your loom makes a triangle shape in the front with your loom copy the image make sure your loom is facing the exact direction your bracelet may not turn out as you may hope the right direction is when the the arrow is facing away from you

rainbow loom english dragon scale bracelet loom bands - Aug 19 2022

this is a loom bands tutorial on how to make the dragon scale bracelet on the rainbow loom or on any other loom you may have more more new french braid rainbow loom monster tail

how to make rubber band bracelet loom pattern - Dec 23 2022

oct 2 2013 directions measure across the board and mark with the pencil the 1 inch 2 inch and 3 inch marks going down the length of the board this keeps your lines straight for the pins three pencil marks 1 inch apart next step is to mark where the pins will go place the measure tape down the length of the board

single rubber band bracelet pattern youtube - Apr 26 2023

0 00 2 23 single rubber band bracelet pattern leisure arts inc 18 6k subscribers 1 7k views 9 years ago a tutorial for making the basic single pattern rubber band loom bracelet from

34 rubberband bracelets and ideas rainbow loom patterns pinterest - May 16 2022

illusion rainbow loom bracelet jul 30 2015 explore lona dalum baviers board rubberband bracelets and ideas followed by 1 164 people on pinterest see more ideas about rainbow loom patterns rainbow loom rainbow loom bracelets

how to make rubber band bracelets 40 diys guide patterns - Sep 19 2022

feb 2 2018 how to make rubber band bracelet with loom the tiny rubber bands attached to the main bracelet look like a chain sequence at first glance nobody would be able to make it out

downloadable free pdfs elementary flag football permission - Feb 15 2022

web permission slips the create and reflect edition jun 07 2022 this full color edition includes 14 workbook pages with a lighthearted and conversational

free elementary flag football permission slips and waiver - Jan 17 2022

web elementary flag football permission slips and waiver contemporary plays by women of color jun 05 2020 in the two decades since the first edition of contemporary plays

elementary flag football permission slips and waiver copy - Jun 21 2022

web elementary flag football permission slips and waiver downloaded from thegreenroute com by guest tate pollard flag football essentials independently

elementary flag football permission slips and waiver pdf - Jul 23 2022

web elementary flag football permission slips and waiver is available in our digital library an online access to it is set as public so you can get it instantly our books collection

elementary flag football permission slips and waiver 2022 - Nov 14 2021

web 2 elementary flag football permission slips and waiver 2020 05 14 content on implementing a medical home explores the trend toward family centered coordinated

elementary flag football permission slips and waiver ftp popcake - Dec 16 2021

web 2 elementary flag football permission slips and waiver 2023 07 28 intramural programs and in community programs

undergraduate catalog edwardsville campus

free pdf download elementary flag football permission slips - Oct 26 2022

web elementary flag football permission slips and waiver if you re reading this mar 08 2023 mike was seven when his father was killed in mysterious circumstances in

elementary flag football permission slips and waiver pdf - Sep 24 2022

web elementary flag football permission slips and waiver 3 3 on food safety boxes alert you to food safety issues related to a particular nutrient age group or medical condition

elementary flag football permission slips and waiver pdf - Jul 03 2023

web elementary flag football permission slips and waiver a guide to ontario school law jun 16 2020 a guide to ontario school law is a comprehensive non partisan fair

free pdf download elementary flag football permission slips - Nov 26 2022

web elementary flag football permission slips and waiver football coach s survival guide nov 20 2022 organized for easy use into 16 sections including player recruitment

elementary flag football permission slips and waiver - Aug 04 2023

web elementary flag football permission slips and waiver april 30th 2018 afterschool action formally safe reach flag football out by their designated parent or guardian

elementary flag football permission slips and waiver full pdf - Aug 24 2022

web elementary flag football permission slips and waiver 3 3 appendix includes the latest drugs used in pediatric primary care with specific dosing for infant children

elementary flag football permission slips and waiver ftp popcake - Jun 02 2023

web elementary flag football permission slips and waiver downloaded from ftp popcake com by guest page bray triad societies berghahn books designed to

school rules and regulations ministry of education - Jan 29 2023

web flag the bus in advance queue for the bus in an orderly manner board and alight from the bus in an orderly manner do not play in the bus do not stand or play on the steps of the

elementary flag football permission slips and waiver copy - Oct 06 2023

web elementary flag football permission slips and waiver proceedings of the annual meeting feb 02 2022 corky guys a father and son adventure may 05 2022 corky

sg united - May 01 2023

web we would like to show you a description here but the site won t allow us

elementary flag football permission slips and waiver - Sep 05 2023

web elementary flag football permission slips and waiver is available in our publication gathering an online access to it is set as public so you can get it instantaneously we

elementary flag football permission slips and waiver pdf - Mar 19 2022

web may 26 2023 elementary flag football permission slips and waiver is available in our digital library an online access to it is set as public so you can download it instantly our

football association of singapore singapore 207542 fandi rules - Feb 27 2023

web to football association of singapore 100 tyrwhitt road jalan besar stadium singapore 207542 parent guardian consent for players under 21 years of age

elementary flag football permission slips and waiver pdf paul - Dec 28 2022

web may 25 2023 this elementary flag football permission slips and waiver pdf can be taken as with ease as picked to act the tiny seed eric carle 2005 02 text and

elementary flag football permission slips and waiver full pdf - Mar 31 2023

web 3 court cases and summaries of legislation modern administrative practices in physical education and athletics dec 14 2020 labor relations reference manual sep 10 2020

elementary flag football permission slips and waiver pdf - Apr 19 2022

web elementary flag football permission slips and waiver embracing the tune of appearance an psychological symphony within elementary flag football permission

elementary flag football permission slips and waiver pdf - May 21 2022

web elementary flag football permission slips and waiver sports related concussions in youth 10 years solved papers for science isc class 12 2022 exam comprehensive