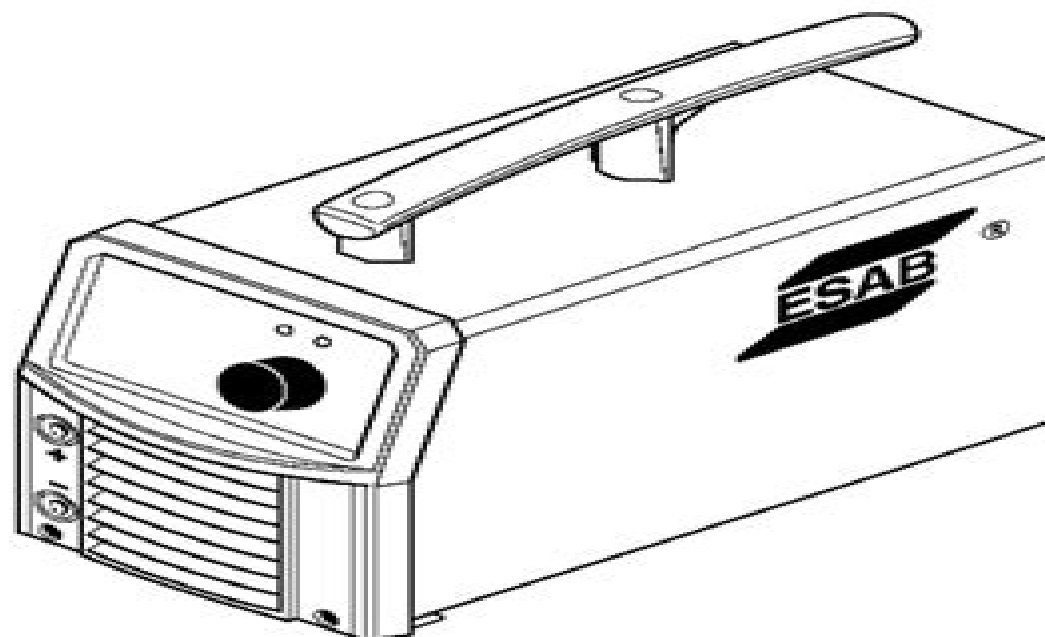




Origo™ Arc 150i



Service manual

Esab Origo 150 Manual

Liyong Dong



Esab Origo 150 Manual:

Unveiling the Magic of Words: A Report on "**Esab Origo 150 Manual**"

In a global defined by information and interconnectivity, the enchanting power of words has acquired unparalleled significance. Their ability to kindle emotions, provoke contemplation, and ignite transformative change is really awe-inspiring. Enter the realm of "**Esab Origo 150 Manual**," a mesmerizing literary masterpiece penned by way of a distinguished author, guiding readers on a profound journey to unravel the secrets and potential hidden within every word. In this critique, we shall delve into the book is central themes, examine its distinctive writing style, and assess its profound effect on the souls of its readers.

<https://staging.conocer.cide.edu/results/uploaded-files/default.aspx/im%20moving%20eliminating%20the%20anxiety%20of%20buying%20or%20selling%20a%20home.pdf>

Table of Contents Esab Origo 150 Manual

1. Understanding the eBook Esab Origo 150 Manual
 - The Rise of Digital Reading Esab Origo 150 Manual
 - Advantages of eBooks Over Traditional Books
2. Identifying Esab Origo 150 Manual
 - Exploring Different Genres
 - Considering Fiction vs. Non-Fiction
 - Determining Your Reading Goals
3. Choosing the Right eBook Platform
 - Popular eBook Platforms
 - Features to Look for in an Esab Origo 150 Manual
 - User-Friendly Interface
4. Exploring eBook Recommendations from Esab Origo 150 Manual
 - Personalized Recommendations
 - Esab Origo 150 Manual User Reviews and Ratings

- Esab Origo 150 Manual and Bestseller Lists
- 5. Accessing Esab Origo 150 Manual Free and Paid eBooks
 - Esab Origo 150 Manual Public Domain eBooks
 - Esab Origo 150 Manual eBook Subscription Services
 - Esab Origo 150 Manual Budget-Friendly Options
- 6. Navigating Esab Origo 150 Manual eBook Formats
 - ePub, PDF, MOBI, and More
 - Esab Origo 150 Manual Compatibility with Devices
 - Esab Origo 150 Manual Enhanced eBook Features
- 7. Enhancing Your Reading Experience
 - Adjustable Fonts and Text Sizes of Esab Origo 150 Manual
 - Highlighting and Note-Taking Esab Origo 150 Manual
 - Interactive Elements Esab Origo 150 Manual
- 8. Staying Engaged with Esab Origo 150 Manual
 - Joining Online Reading Communities
 - Participating in Virtual Book Clubs
 - Following Authors and Publishers Esab Origo 150 Manual
- 9. Balancing eBooks and Physical Books Esab Origo 150 Manual
 - Benefits of a Digital Library
 - Creating a Diverse Reading Collection Esab Origo 150 Manual
- 10. Overcoming Reading Challenges
 - Dealing with Digital Eye Strain
 - Minimizing Distractions
 - Managing Screen Time
- 11. Cultivating a Reading Routine Esab Origo 150 Manual
 - Setting Reading Goals Esab Origo 150 Manual
 - Carving Out Dedicated Reading Time
- 12. Sourcing Reliable Information of Esab Origo 150 Manual
 - Fact-Checking eBook Content of Esab Origo 150 Manual
 - Distinguishing Credible Sources

13. Promoting Lifelong Learning
 - Utilizing eBooks for Skill Development
 - Exploring Educational eBooks
14. Embracing eBook Trends
 - Integration of Multimedia Elements
 - Interactive and Gamified eBooks

Esab Origo 150 Manual Introduction

In this digital age, the convenience of accessing information at our fingertips has become a necessity. Whether its research papers, eBooks, or user manuals, PDF files have become the preferred format for sharing and reading documents. However, the cost associated with purchasing PDF files can sometimes be a barrier for many individuals and organizations. Thankfully, there are numerous websites and platforms that allow users to download free PDF files legally. In this article, we will explore some of the best platforms to download free PDFs. One of the most popular platforms to download free PDF files is Project Gutenberg. This online library offers over 60,000 free eBooks that are in the public domain. From classic literature to historical documents, Project Gutenberg provides a wide range of PDF files that can be downloaded and enjoyed on various devices. The website is user-friendly and allows users to search for specific titles or browse through different categories. Another reliable platform for downloading Esab Origo 150 Manual free PDF files is Open Library. With its vast collection of over 1 million eBooks, Open Library has something for every reader. The website offers a seamless experience by providing options to borrow or download PDF files. Users simply need to create a free account to access this treasure trove of knowledge. Open Library also allows users to contribute by uploading and sharing their own PDF files, making it a collaborative platform for book enthusiasts. For those interested in academic resources, there are websites dedicated to providing free PDFs of research papers and scientific articles. One such website is Academia.edu, which allows researchers and scholars to share their work with a global audience. Users can download PDF files of research papers, theses, and dissertations covering a wide range of subjects. Academia.edu also provides a platform for discussions and networking within the academic community. When it comes to downloading Esab Origo 150 Manual free PDF files of magazines, brochures, and catalogs, Issuu is a popular choice. This digital publishing platform hosts a vast collection of publications from around the world. Users can search for specific titles or explore various categories and genres. Issuu offers a seamless reading experience with its user-friendly interface and allows users to download PDF files for offline reading. Apart from dedicated platforms, search engines also play a crucial role in finding free PDF files. Google, for instance, has an advanced search feature that allows users to filter results by file type. By specifying the file type as "PDF," users can find websites that offer

free PDF downloads on a specific topic. While downloading Esab Origo 150 Manual free PDF files is convenient, its important to note that copyright laws must be respected. Always ensure that the PDF files you download are legally available for free. Many authors and publishers voluntarily provide free PDF versions of their work, but its essential to be cautious and verify the authenticity of the source before downloading Esab Origo 150 Manual. In conclusion, the internet offers numerous platforms and websites that allow users to download free PDF files legally. Whether its classic literature, research papers, or magazines, there is something for everyone. The platforms mentioned in this article, such as Project Gutenberg, Open Library, Academia.edu, and Issuu, provide access to a vast collection of PDF files. However, users should always be cautious and verify the legality of the source before downloading Esab Origo 150 Manual any PDF files. With these platforms, the world of PDF downloads is just a click away.

FAQs About Esab Origo 150 Manual Books

How do I know which eBook platform is the best for me? Finding the best eBook platform depends on your reading preferences and device compatibility. Research different platforms, read user reviews, and explore their features before making a choice. Are free eBooks of good quality? Yes, many reputable platforms offer high-quality free eBooks, including classics and public domain works. However, make sure to verify the source to ensure the eBook credibility. Can I read eBooks without an eReader? Absolutely! Most eBook platforms offer web-based readers or mobile apps that allow you to read eBooks on your computer, tablet, or smartphone. How do I avoid digital eye strain while reading eBooks? To prevent digital eye strain, take regular breaks, adjust the font size and background color, and ensure proper lighting while reading eBooks. What the advantage of interactive eBooks? Interactive eBooks incorporate multimedia elements, quizzes, and activities, enhancing the reader engagement and providing a more immersive learning experience. Esab Origo 150 Manual is one of the best book in our library for free trial. We provide copy of Esab Origo 150 Manual in digital format, so the resources that you find are reliable. There are also many Ebooks of related with Esab Origo 150 Manual. Where to download Esab Origo 150 Manual online for free? Are you looking for Esab Origo 150 Manual PDF? This is definitely going to save you time and cash in something you should think about.

Find Esab Origo 150 Manual :

[im moving eliminating the anxiety of buying or selling a home](#)

illustrated history of stock car racing from the sands of daytona to madison avenue

[illustrated ducati buyers guide](#)

[im the teacher youre the student a semester in the university classroom](#)

im tyrannosaurus

[illustrated history of eighteenth century britain 1688-1793](#)

illustrated dictionary of science diccionario ilustrado de las ciencias set 2 vols.

[illustrated case histories urology](#)

[illustrator cs2 bible](#)

[illustrated handbook of electronic tables symbols measurements and values](#)

[images of georgia](#)

[illustrated guide to the bombers of world war ii](#)

[illustrated dictionary of expressionism](#)

[illustrated atlas of europe](#)

[imaginary library](#)

Esab Origo 150 Manual :

[mazda 323 free workshop and repair manuals](#) - Sep 14 2023

web mazda 323 workshop repair and owners manuals for all years and models free pdf download for thousands of cars and trucks

mazda 323 1990 2003 haynes repair manuals guides - May 30 2022

web mazda b3000 workshop manual 1994 1994 mazda b3000 workshop manual 1998 mazda 121 workshop manual 1996 2003 ford escape and mazda tribute

mazda 323 service repair manual mazda 323 pdf downloads - Feb 24 2022

[2001 mazda 323 6th gen service and repair manual](#) - Aug 01 2022

web motor era offers service repair manuals for your mazda 323 download your manual now mazda 323 service repair manuals complete list of mazda 323 auto service

[mazda 323 workshop repair manual 1998 2003 pdf](#) - Dec 05 2022

web free online service and repair manuals for all models 5 l4 2 3l 2007 cx 9 awd v6 3 7l 2008 glc l4 1490cc 1 5l 1984 mazdaspeed3 l4 2 3l turbo 2010

[mazda protege workshop manual 2001 2009 onlymanuals](#) - Dec 25 2021

[mazda 323 workshop manual supplement](#) - Apr 09 2023

web home mazda 2 mazda 323 workshop manual 2001 2004 updated august 2022 of 0 download pdf an error occurred while loading the pdf more information show full

[mazda 323 familia protegé repair manuals manuals mazda](#) - May 10 2023

web the manual contains every troubleshooting and replacement procedure provided by the manufacturer including step by step instructions exploded view illustrations and clear

online mazda 323 repair manual do it yourself - Mar 28 2022

mazda 323 repair service manuals 3 pdf s - Oct 15 2023

web in total that s over 844 pages of content dedicated to your mazda 323 here s a non exhaustive list of what s covered mazda 323 workshop manual covering lubricants

mazda 323 workshop manual 2001 2004 onlymanuals - Nov 04 2022

web mazda 323 1990 2003 haynes repair manuals guides need to service or repair your mazda 323 1990 2003 online and print formats available save time and money when

mazda workshop service and repair manuals - Jun 30 2022

web view and download mazda 323f owner s manual online 323f automobile pdf manual download

mazda 323 protege service manuals servicing manuals - Sep 02 2022

web mazda factory service manuals online this site provides a detailed review of the alldata diy product which is an affordable diy version of the same professional

2001 mazda 323 bj series all models service and repair manual - Oct 03 2022

web mazda service and repair manuals how to find your mazda workshop or owners manual we have 1212 free pdf s spread across 29 mazda vehicles to narrow down

2001 mazda familia 323 protege workshop manual servicing - Mar 08 2023

web the procedures are divided into the following five basic operations removal installation disassembly assembly replacement inspection adjustment simple

mazda workshop repair owners manuals 100 free - Apr 28 2022

web the original haynes repair manual based on a complete stripdown and rebuild of a vehicle mazda 323 1990 1996 change includes online edition what s included use

[mazda 323 1990 1996 haynes repair manuals guides](#) - Nov 23 2021

2001 mazda 323 protege service repair manual - Jan 06 2023

web 2001 mazda 323 6th gen service and repair manual fixing problems in your vehicle is a do it approach with the auto repair manuals as they contain comprehensive

mazda 323 repair manuals pdf free download - Aug 13 2023

web motor era has the best selection of service repair manuals for your 2001 mazda 323 download your manual now money back guarantee 2001 mazda 323 service repair

mazda familia 323 workshop manual free pdf - Jul 12 2023

web 21 rows workshop mazda protege 1996 repair manuals 71 mb english 952 323 familia protegé mazda 323 c dohc engine workshop manual pdf mazda 323 c dohc engine

mazda 323 familia bj 1998 2003 free pdf factory - Feb 07 2023

web 2001 mazda familia 323 protege workshop manual free 1999 mazda familia 323 protege workshop manual free 1992 mazda familia 323 protege

2001 mazda 323 service repair manuals pdf - Jun 11 2023

web download print or view the 2001 mazda familia 323 protege workshop manual pdf for free servicingmanuals com stores hard to find repair manuals for everyone to search

mazda 323f owner s manual pdf download manualslib - Jan 26 2022

sample club bylaws friendship force australia - May 20 2023

jan 22 2020 this guideline provides an example of a club bylaws document that could be used when developing club bylaws click or tap the title to download the guideline

bylaws for friendship force international - Jan 16 2023

the mission of friendship force international inc is to promote world peace and understanding by creating an environment where individual friendships can be established across the barriers that separate people article iii board of directors section

3 1 number and qualifications the business and affairs of the corporation shall be

bylaws ffi knowledge base - Apr 07 2022

club documents what is the club charter renewal process 2023 charter renewal form what are club bylaws does my club need club bylaws do you have a set of sample club bylaws do you need assistance with technical matters leadership self evaluation

and checklist for 2023 charter renewal process

sample club bylaws friendship force international yumpu - Jun 21 2023

nov 28 2012 article ii purposes the purposes of the club shall be a to provide leadership and support of the cultural

exchange program b to provide continuity of the activities of the strong friendship strong strong force strong through educational and cultural means c to increase program awareness by disseminating information to club

sample club bylaws friendship force international - Jun 09 2022

april 14th 2018 friendship force international guidelines general club guidelines the sample club bylaws guidelines can be downloaded by clicking or tapping the button general club guidelines friendship force australia

do you have a set of sample club bylaws friendship force - Aug 23 2023

each friendship force club is required to have bylaws that govern the club and affirm the mission and programs of friendship force international ffi it is recommended that you review the bylaws every few years to make sure they are being followed or are amended to reflect new practices and procedures

sample club bylaws friendship force international yumpu - Apr 19 2023

sample club bylaws friendship force international attention your epaper is waiting for publication by publishing your document the content will be optimally indexed by google via ai and sorted into the right category for over 500 million epaper readers on yumpu

sample club bylaws friendship force pdf4pro com - Feb 17 2023

sample club bylaws friendship force the friendship force club president elect or another designated member of the incoming board should plan to attend the annual international conference whenever possible the club treasury will assume the cost of both the travel and conference expenses of the president elect if the club is unable to bear the full cost of the

sample club bylaws friendship force - Sep 24 2023

section 1 the board of directors shall consist of the elected officers of the club the present ambassador or host coordinator standing committee chairpersons and any additional members appointed by a majority vote of the existing board

policies club documents friendship force - Jul 22 2023

a sample club bylaw document intended to assist the club in self regulation as allowed by friendship force international complete list of ffi clubs as of 2019 printable a printable document containing a complete list of friendship force

club by laws sample 2017 sample club bylaws the friendship force - Dec 15 2022

the secondary purpose mission of the club is to promote international understanding within the local community all programs are carried out in accordance with the policies and guidelines of friendship force international inc this club is not organized and shall not be operated for pecuniary gain or profit

governance friendship force - Nov 14 2022

bylaws of friendship force international structure and membership of the international board of directors the board of directors is charged with setting policy for the organization establishing strategic direction and overseeing business

operations board membership may range from 6 to 16 individuals according to the bylaws

sample club bylaws friendship force international - Jul 10 2022

sample club bylaws friendship force international big friendship jan 11 2023 a close friendship is one of the most influential and important relationships a human life can contain anyone will tell you that but for all the rosy sentiments surrounding friendship most people don't talk much about what it really takes to stay close for the

11 club bylaws templates pdf - Sep 12 2022

club bylaws are laws that are adopted by clubs to have an article or a document to refer to for the identity of the club included in them is the name of the club their meeting schedule meeting venues you can also see more on club meeting minute templates if you are just starting a club this article could help you formulate the bylaws of

what is a club admin ffi knowledge base - Mar 06 2022

what are club bylaws does my club need club bylaws do you have a set of sample club bylaws do you need assistance with technical matters leadership self evaluation and checklist for 2023 charter renewal process are ff clubs covered by ffi s liability insurance for club events club life what types of activities do clubs do in addition

what is a journey what costs are involved friendship force - May 08 2022

apr 26 2023 what are club bylaws does my club need club bylaws do you have a set of sample club bylaws do you need assistance with technical matters leadership self evaluation and checklist for 2023 charter renewal process are ff clubs covered by ffi s liability insurance for club events club life what types of activities do clubs do in addition

get the free sample club bylaws friendship force international - Oct 13 2022

get the free sample club bylaws friendship force international 2 thefriendshipforce

sample club bylaws friendship force international book - Aug 11 2022

sample club bylaws friendship force international this is likewise one of the factors by obtaining the soft documents of this sample club bylaws friendship force international by online you might not require more time to spend to go to the ebook commencement as capably as search for them in some

you must be logged in to view this article friendship force - Feb 05 2022

do you have a set of sample club bylaws do you need assistance with technical matters leadership self evaluation and checklist for 2023 charter renewal process

force clubs in the usa organizational guidelines for friendship - Mar 18 2023

1 club organizational structure each friendship force club is required to have bylaws that govern the club and that affirm the mission and programs of friendship force international ffi it is recommended that you review the bylaws every few years to make sure they are being followed or are amended to reflect new practices and procedures

[hacha y la rosa poesia renacimiento uniport edu](#) - Aug 03 2022

web jul 27 2023 del 68 es un libro plural que analiza el contexto y la obra de algunos de los poetas más significativos de la generación del 68 ampliando el marco de estudio más allá de los poetas novísimos e integrando su desarrollo

hacha y la rosa poesia renacimiento fernando ortiz - Jul 14 2023

web hacha y la rosa poesia renacimiento below poesía española del 90 una antología de antologías marta beatriz ferrari 2008 victor botas y la poesía de su generación leopoldo sánchez torre 2006 la infancia en la poesía española del siglo xx teresa choperena ardentáriz 2014 10 07 la tematización de la propia infancia es una

hacha y la rosa poesia renacimiento by luis alberto de cuenca - Feb 26 2022

web desayuno luis alberto de cuenca jie luis arcos sobre el hacha y la rosa cuba poesía renacimiento publica una antología de la poesía española el hacha y la rosa trece décadas de poesia española el hacha y la rosa poesia books el hacha y la rosa editorial renacimiento su nombre era el de todas las mujeres

hacha y la rosa poesia renacimiento copy uniport edu - Sep 04 2022

web jul 28 2023 hacha y la rosa poesia renacimiento 2 7 downloaded from uniport edu ng on july 28 2023 by guest

el hacha y la rosa josé p rez olivares 2000 conversaciones con

[hacha y la rosa poesia renacimiento pdf uniport edu](#) - Jul 02 2022

web aug 3 2023 hacha y la rosa poesia renacimiento 1 5 downloaded from uniport edu ng on august 3 2023 by guest hacha y la rosa poesia renacimiento as recognized adventure as without difficulty as experience nearly lesson amusement as without difficulty as accord can be gotten by just checking out a books hacha y la rosa poesia

kissha origen agua de rosas 500 cc cosmetologas argentinas - Oct 05 2022

web m s informaci n kissha lanza origen agua de rosa b lgara tambien llamada rosa damascena brumizar sobre la piel limpia y seca dejar que el producto se absorba tambi n aplicar sobre el maquillaje para dar un acabado satinado uso externo este producto no esta formulado para uso en ni os sin aceites minerales

hacha y la rosa poesia renacimiento copy banking finance gov - Apr 11 2023

web hacha y la rosa poesia renacimiento 3 3 to the changing developments of the twentieth century la poes a postmoderna de luis alberto de cuenca editorial renacimiento se hace un estudio de la estancia de neruda en espa a desde 1934 hasta la guerra civil y las relaciones con lorca alberti miguel hern ndez poetas que fomentan su gusto

el hacha y la rosa aceprensa - Jun 13 2023

web jun 15 1994 el hacha y la rosa renacimiento sevilla 1994 97 p gs 825 ptas en los a os setenta la poes a espa ola contempor nea la de los nov simos subray  los elementos culturales y literarios a veces hasta la exageraci n paulatinamente esos elementos fueron depur ndose el humor la iron a y la presencia de lo cotidiano

hacha y la rosa poesia renacimiento db udrive - Jan 08 2023

web hacha y la rosa poesia renacimiento 2020 07 31 bronson esmeralda el valor y los sueños poemas escogidos 1970 2016 castalia los ensayos reunidos en poesía hispánica peninsular ofrecen una visión panorámica de la poesía editada en nuestro país durante los últimos veinticinco años incluyendo las literaturas que se

hacha y la rosa poesia renacimiento by luis alberto de cuenca - Feb 09 2023

web hacha y la rosa poesia renacimiento by luis alberto de cuenca su nombre era el de todas las mujeres librotea el hacha book pdf download poesia la rosa poesie image el hacha y la rosa tres decadas de poesia española hacha y

[hacha y la rosa poesia renacimiento copy uniport edu](#) - Jun 01 2022

web jun 15 2023 merely said the hacha y la rosa poesia renacimiento is universally compatible in imitation of any devices to read la nueva poesía 1975 1992 miguel garcía posada 1996

revista hache - Nov 06 2022

web hache es una publicación de la cátedra de la dra rosa aboy de historia de la arquitectura facultad de arquitectura diseño y urbanismo uba

hacha y la rosa poesia renacimiento - Apr 30 2022

web merely said the hacha y la rosa poesia renacimiento is universally compatible with any devices to read la nueva poesía 1975 1992 miguel garcía posada 1996 propiedad intelectual y también poesía antonio castán perez gómez 2018 04 09 los trabajos que integran este libro fueron editados por su autor a modo de opúsculo con el

[hacha y la rosa poesia renacimiento fernando ortiz copy](#) - Jan 28 2022

web los prejuicios carencias y actitudes arzaizantes de una época ya superada resumen de los directores en la presentación el hacha y la rosa luis alberto de cuenca 1993 renacimiento el ser y la ficción enrique baena 2004 antología de la poesía española 1960 1975 juan José lanz 1997

[hacha y la rosa poesia renacimiento pdf monograf](#) - Dec 07 2022

web tema literario y establecen un muy particular pacto de lectura autorreferencial por el que son identificados con la voz poética y con el personaje de su texto sin dejar por ello de participar de la ficcionalidad inherente a cualquier género lírico el hacha y la rosa beijing book co inc

el hacha y la rosa editorial renacimiento - Aug 15 2023

web el hacha y la rosa luis alberto de cuenca madrid 1950 ha publicado en esta misma editorial los siguientes libros de poesía la caja de plata 1985 premio de la crítica el otro sueño 1987 y poesía 1970 1989 1990 tweet

hacha y la rosa poesia renacimiento copy old talentsprint - Mar 10 2023

web nuevos y novísimos poetas el hacha y la rosa poema tragico con dudosos logros revista de literatura treinta años de

poesía española 1965 1995 versos robados nuestra señora en la poesía española actual la tradición clásica en la poesía de luis alberto de cuenca leones y camaleones renacimiento 31 34 el hacha y la rosa

hacha y la rosa poesia renacimiento by luis alberto de cuenca - May 12 2023

web librería sexto el hacha y la rosa tres decadas de poesia española el hacha y la rosa aceprenta el hacha y la rosa 5 en libros fnac libro su nombre era el de todas las mujeres y otros poemas el hacha y la rosa cuenca luis alberto de libro en

hacha y la rosa poesia renacimiento pdf uniport edu - Mar 30 2022

web hacha y la rosa poesia renacimiento is available in our book collection an online access to it is set as public so you can download it instantly our book servers saves in multiple countries allowing you to get the most less latency time to download *hacha y la rosa poesia renacimiento pdf bk swordsswords* - Dec 27 2021

web hacha y la rosa poesia renacimiento nuevos y novísimos poetas poesía viva del ecuador poesía española del 90 una antología de antologías su nombre era el de todas las mujeres y otros poemas de amor y desamor la poesía postmoderna de luis alberto de cuenca poesía hispánica peninsular manual de literatura española actual