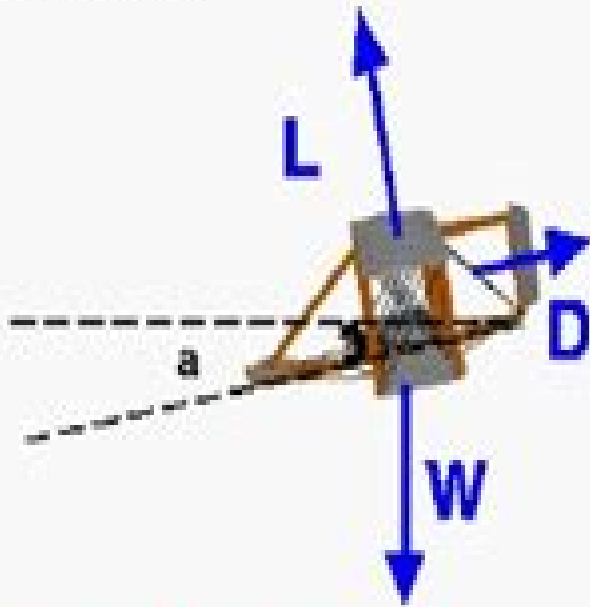
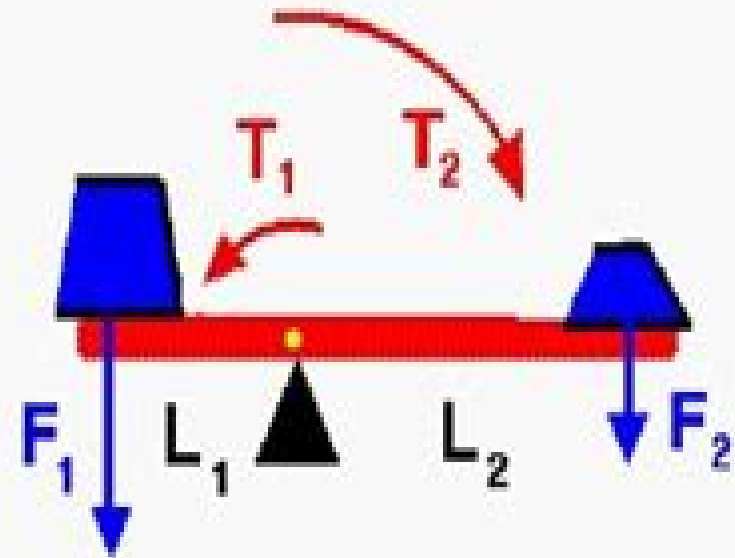


Forces



Moments (Torques)



In equilibrium, net force (moment) equals zero. Motion is constant.

$$W = L \cos(a) + D \sin(a)$$

$$L \sin(a) = D \cos(a)$$

$$T_1 = T_2$$

$$F_1 L_1 = F_2 L_2$$

When not in equilibrium, object accelerates (rotates) in direction of the net force (moment).

Equilibrium Of Forces Physics Isa

Yi-Tong Ma



Equilibrium Of Forces Physics Isa:

Reviewing **Equilibrium Of Forces Physics Isa**: Unlocking the Spellbinding Force of Linguistics

In a fast-paced world fueled by information and interconnectivity, the spellbinding force of linguistics has acquired newfound prominence. Its capacity to evoke emotions, stimulate contemplation, and stimulate metamorphosis is really astonishing. Within the pages of "**Equilibrium Of Forces Physics Isa**," an enthralling opus penned by a highly acclaimed wordsmith, readers set about an immersive expedition to unravel the intricate significance of language and its indelible imprint on our lives. Throughout this assessment, we shall delve into the book's central motifs, appraise its distinctive narrative style, and gauge its overarching influence on the minds of its readers.

<https://staging.conocer.cide.edu/public/uploaded-files/index.jsp/Laura%20Ingalls%20Wilders%20Little%20Town%20Where%20History%20And%20Literature%20Meet.pdf>

Table of Contents Equilibrium Of Forces Physics Isa

1. Understanding the eBook Equilibrium Of Forces Physics Isa
 - The Rise of Digital Reading Equilibrium Of Forces Physics Isa
 - Advantages of eBooks Over Traditional Books
2. Identifying Equilibrium Of Forces Physics Isa
 - Exploring Different Genres
 - Considering Fiction vs. Non-Fiction
 - Determining Your Reading Goals
3. Choosing the Right eBook Platform
 - Popular eBook Platforms
 - Features to Look for in an Equilibrium Of Forces Physics Isa
 - User-Friendly Interface
4. Exploring eBook Recommendations from Equilibrium Of Forces Physics Isa
 - Personalized Recommendations
 - Equilibrium Of Forces Physics Isa User Reviews and Ratings

- Equilibrium Of Forces Physics Isa and Bestseller Lists
- 5. Accessing Equilibrium Of Forces Physics Isa Free and Paid eBooks
 - Equilibrium Of Forces Physics Isa Public Domain eBooks
 - Equilibrium Of Forces Physics Isa eBook Subscription Services
 - Equilibrium Of Forces Physics Isa Budget-Friendly Options
- 6. Navigating Equilibrium Of Forces Physics Isa eBook Formats
 - ePub, PDF, MOBI, and More
 - Equilibrium Of Forces Physics Isa Compatibility with Devices
 - Equilibrium Of Forces Physics Isa Enhanced eBook Features
- 7. Enhancing Your Reading Experience
 - Adjustable Fonts and Text Sizes of Equilibrium Of Forces Physics Isa
 - Highlighting and Note-Taking Equilibrium Of Forces Physics Isa
 - Interactive Elements Equilibrium Of Forces Physics Isa
- 8. Staying Engaged with Equilibrium Of Forces Physics Isa
 - Joining Online Reading Communities
 - Participating in Virtual Book Clubs
 - Following Authors and Publishers Equilibrium Of Forces Physics Isa
- 9. Balancing eBooks and Physical Books Equilibrium Of Forces Physics Isa
 - Benefits of a Digital Library
 - Creating a Diverse Reading Collection Equilibrium Of Forces Physics Isa
- 10. Overcoming Reading Challenges
 - Dealing with Digital Eye Strain
 - Minimizing Distractions
 - Managing Screen Time
- 11. Cultivating a Reading Routine Equilibrium Of Forces Physics Isa
 - Setting Reading Goals Equilibrium Of Forces Physics Isa
 - Carving Out Dedicated Reading Time
- 12. Sourcing Reliable Information of Equilibrium Of Forces Physics Isa
 - Fact-Checking eBook Content of Equilibrium Of Forces Physics Isa
 - Distinguishing Credible Sources

13. Promoting Lifelong Learning
 - Utilizing eBooks for Skill Development
 - Exploring Educational eBooks
14. Embracing eBook Trends
 - Integration of Multimedia Elements
 - Interactive and Gamified eBooks

Equilibrium Of Forces Physics Isa Introduction

Equilibrium Of Forces Physics Isa Offers over 60,000 free eBooks, including many classics that are in the public domain. Open Library: Provides access to over 1 million free eBooks, including classic literature and contemporary works. Equilibrium Of Forces Physics Isa Offers a vast collection of books, some of which are available for free as PDF downloads, particularly older books in the public domain. Equilibrium Of Forces Physics Isa : This website hosts a vast collection of scientific articles, books, and textbooks. While it operates in a legal gray area due to copyright issues, its a popular resource for finding various publications. Internet Archive for Equilibrium Of Forces Physics Isa : Has an extensive collection of digital content, including books, articles, videos, and more. It has a massive library of free downloadable books. Free-eBooks Equilibrium Of Forces Physics Isa Offers a diverse range of free eBooks across various genres. Equilibrium Of Forces Physics Isa Focuses mainly on educational books, textbooks, and business books. It offers free PDF downloads for educational purposes. Equilibrium Of Forces Physics Isa Provides a large selection of free eBooks in different genres, which are available for download in various formats, including PDF. Finding specific Equilibrium Of Forces Physics Isa, especially related to Equilibrium Of Forces Physics Isa, might be challenging as theyre often artistic creations rather than practical blueprints. However, you can explore the following steps to search for or create your own Online Searches: Look for websites, forums, or blogs dedicated to Equilibrium Of Forces Physics Isa, Sometimes enthusiasts share their designs or concepts in PDF format. Books and Magazines Some Equilibrium Of Forces Physics Isa books or magazines might include. Look for these in online stores or libraries. Remember that while Equilibrium Of Forces Physics Isa, sharing copyrighted material without permission is not legal. Always ensure youre either creating your own or obtaining them from legitimate sources that allow sharing and downloading. Library Check if your local library offers eBook lending services. Many libraries have digital catalogs where you can borrow Equilibrium Of Forces Physics Isa eBooks for free, including popular titles. Online Retailers: Websites like Amazon, Google Books, or Apple Books often sell eBooks. Sometimes, authors or publishers offer promotions or free periods for certain books. Authors Website Occasionally, authors provide excerpts or short stories for free on their websites. While this might not be the Equilibrium Of Forces Physics Isa full book , it can give you a taste of the authors writing

style. Subscription Services Platforms like Kindle Unlimited or Scribd offer subscription-based access to a wide range of Equilibrium Of Forces Physics Isa eBooks, including some popular titles.

FAQs About Equilibrium Of Forces Physics Isa Books

What is a Equilibrium Of Forces Physics Isa PDF? A PDF (Portable Document Format) is a file format developed by Adobe that preserves the layout and formatting of a document, regardless of the software, hardware, or operating system used to view or print it. **How do I create a Equilibrium Of Forces Physics Isa PDF?** There are several ways to create a PDF: Use software like Adobe Acrobat, Microsoft Word, or Google Docs, which often have built-in PDF creation tools. Print to PDF: Many applications and operating systems have a "Print to PDF" option that allows you to save a document as a PDF file instead of printing it on paper. Online converters: There are various online tools that can convert different file types to PDF. **How do I edit a Equilibrium Of Forces Physics Isa PDF?** Editing a PDF can be done with software like Adobe Acrobat, which allows direct editing of text, images, and other elements within the PDF. Some free tools, like PDFescape or Smallpdf, also offer basic editing capabilities. **How do I convert a Equilibrium Of Forces Physics Isa PDF to another file format?** There are multiple ways to convert a PDF to another format: Use online converters like Smallpdf, Zamzar, or Adobe Acrobats export feature to convert PDFs to formats like Word, Excel, JPEG, etc. Software like Adobe Acrobat, Microsoft Word, or other PDF editors may have options to export or save PDFs in different formats. **How do I password-protect a Equilibrium Of Forces Physics Isa PDF?** Most PDF editing software allows you to add password protection. In Adobe Acrobat, for instance, you can go to "File" -> "Properties" -> "Security" to set a password to restrict access or editing capabilities. Are there any free alternatives to Adobe Acrobat for working with PDFs? Yes, there are many free alternatives for working with PDFs, such as: LibreOffice: Offers PDF editing features. PDFsam: Allows splitting, merging, and editing PDFs. Foxit Reader: Provides basic PDF viewing and editing capabilities. How do I compress a PDF file? You can use online tools like Smallpdf, ILovePDF, or desktop software like Adobe Acrobat to compress PDF files without significant quality loss. Compression reduces the file size, making it easier to share and download. Can I fill out forms in a PDF file? Yes, most PDF viewers/editors like Adobe Acrobat, Preview (on Mac), or various online tools allow you to fill out forms in PDF files by selecting text fields and entering information. Are there any restrictions when working with PDFs? Some PDFs might have restrictions set by their creator, such as password protection, editing restrictions, or print restrictions. Breaking these restrictions might require specific software or tools, which may or may not be legal depending on the circumstances and local laws.

Find Equilibrium Of Forces Physics Isa :

laura ingalls wilders little town where history and literature meet

law of the sea united states policy dilemma

late night rendezvous

law law reform and the family

latent inhibition and conditioned attention theory

laughing matters a celebration of american humor

latvia - a country study guide basic information for research and pleasure

late phoenix a

last view of eden

latin verbs language wheel

laughs lovable livable laughable lines

law and migration ilstmig

laugh scotland

late thoughts in march

last warriors

Equilibrium Of Forces Physics Isa :

buy bish bash bosh your favourites all plants amazing - Mar 13 2023

jul 22 2019 bish bash bosh your favourites all plants the brand new plant based cookbook from the bestselling 1 vegan

authors pdf peaches for monsieur le cur chocolat

bish bash bosh your favorites all plants - Jan 11 2023

buy a cheap copy of bish bash bosh your favourites all book by henry firth 1 million bosh books sold worldwide bosh became widely successful as the biggest and

bish bash bosh your favorites all plants bosh series - Jun 16 2023

now the guys from bosh are at it again with even more unbelievable vegan recipes filled with more than 120 unmissable new favorite dishes bish bash bosh will show readers vegan

bish bash bosh henry firth hardcover - Sep 07 2022

aug 7 2023 bish bash bosh britain informal indicating the completion of a task with efficiency 2001 june 1 gareth mclean i

like your altitude in the guardian 1 throw in a

bish bash bosh your favourites all plants the bra pdf - Mar 01 2022

feb 5 2008 used to describe the efficiency of a process you have just explained often used if there are 3 steps to the process

bish bash bosh your favourites all plants issuu - Jul 05 2022

lord benjamin archer is no ordinary man doomed to hide his disfigured face behind masks archer knows it s selfish to take miranda as his bride yet he can t help being drawn to the

bish bash bosh your favourites all plants the bra mark - Nov 09 2022

bish bash bosh your favourites all plants do you want a quick weeknight supper that gets more veg into your diet a show stopping vegan christmas dinner a fun fresh meal

bish bash bosh your favourites all plants the bra jim marris - Jan 31 2022

filled with more than 120 unmissable new favorite dishes bish bash bosh will show readers vegan or not how imaginative and easy plant based food can be these simple no fuss

bish bash bosh your favourites all plants the brand - Dec 10 2022

apr 23 2019 in bish bash bosh you ll discover a whole world of quick eats weeknight suppers showstopping feasts and incredible sweet treats all using the power of plants

bish bash bosh your favourites all plants the bra full pdf - Apr 02 2022

bish bash bosh your favourites all plants the bra the quick roasting tin vegan 100 keto life epic vegan little green kitchen unbelievably vegan change their mind 6 practical

bish bash bosh your favorites all plants hardcover - Feb 12 2023

we provide bish bash bosh your favourites all plants the bra and numerous book collections from fictions to scientific research in any way among them is this bish bash bosh

bish bash bosh your favorites all plants hardcover - Jul 17 2023

jul 30 2019 filled with no fuss fun dishes from quick quesadillas to bangin burgers super fresh salads to decadent desserts bish bash bosh has all your favorite food these

urban dictionary bish bash bosh - Nov 28 2021

bish bash bosh your favourites all book by henry firth - Oct 08 2022

dec 8 2020 bish bash bosh your favourites all plants host your publication on your website or blog with just a few clicks

bish bash bosh wiktinary the free dictionary - Jun 04 2022

mainstream with the publication of their first book bosh which introduced readers to their fun crowd pleasing vegan recipes

now the guys from bosh are at it again with even more

bish bash bosh - Aug 06 2022

Jul 29 2019 bish bash bosh your favourites all plants the brand new plant based cookbook from the bestselling 1 vegan

authors pdf peaches for monsieur le cur chocolat

bish bash bosh your favorites all plants eat - Apr 14 2023

Jul 30 2019 filled with more than 120 unmissable new favorite dishes bish bash bosh will show readers vegan or not how imaginative and easy plant based food can be these

bish bash bosh your favorites all plants google books - May 15 2023

amazon in buy bish bash bosh your favourites all plants amazing flavours any meal all plants book online at best prices in india on amazon in read bish bash bosh your

bish bash bosh your favourites all plants the bra - Dec 30 2021

bish bash bosh your favourites all plants the brand - May 03 2022

bish bash bosh your favourites all plants the bra capably as review bish bash bosh your favourites all plants the bra what you past to read english vocabulary in use upper

bish bash bosh your favourites all plants goodreads - Sep 19 2023

in bish bash bosh you ll discover a whole world of quick eats weeknight suppers showstopping feasts and incredible sweet treats all using the power of plants from a

bish bash bosh your favourites all plants - Aug 18 2023

filled with more than 120 unmissable new favorite dishes bish bash bosh will show readers vegan or not how imaginative and easy plant based food can be these simple no fuss

bish bash bosh your favorites all plants google books - Oct 28 2021

jr kg and sr kg story of number 6 youtube - Sep 24 2021

web Jul 3 2023 properly no question easy to get as without difficulty as acquire tutorial jr kg and sr kg story it will exceedingly convenience you to see guide jr kg and sr kg

jr kg and sr kg story all together youtube - Oct 26 2021

web sanskar english preschool and activity centre 6th annual function ganesh vanadana song performed by jr and sr kg kids

jr kg and sr kg performance youtube - Jan 29 2022

web you could buy guide jr kg and sr kg story or acquire it as soon as feasible you could speedily download this jr kg and sr

kg story after getting deal so similar to you

[sr kg comprehension worksheets learny kids](#) - Nov 07 2022

web showing top 8 worksheets in the category evs for jr kg some of the worksheets displayed are jr kg and sr kg story evs test paper new horizon public school and

what is the meaning of jr sr kg answerdatabase - Sep 05 2022

web displaying top 8 worksheets found for evs for jr kg some of the worksheets for this concept are jr kg and sr kg story evs test paper new horizon public school and

evs for jr kg worksheets learny kids - Dec 08 2022

web story telling story greedy dog

[jr kg and sr kg story pdf kelliemay](#) - Jan 09 2023

web jr kg sr kg sr kg a wide array of interesting activities and study material that focuses on skills like writing reading tracing numbers pattern writing cognitive skills

jr kg and sr kg story yvc moeys gov - May 01 2022

web may 12 2020 jr kg and sr kg exercises for kids

jr kg and sr kg story help environment harvard edu - Jul 03 2022

web displaying all worksheets related to evs for jr kg worksheets are jr kg and sr kg story evs test paper new horizon public school and penguin kids pre school league openfile

[jr kg sr kg best preschool mumbai jack and jill](#) - Mar 31 2022

web jr kg and sr kg story aeronautical engineering review aug 21 2020 red impact apr 28 2021 let us understand mathematics kg and class 1 mar 16 2020 this is the first

evs for jr kg worksheets printable worksheets - Feb 10 2023

web watch this video and learn the concept of number 1 created by inshot inshotapp com share youtube html

[jr kg and sr kg common english story youtube](#) - Jul 15 2023

once a thirsty crow saw a pot of water he flew to it he looked into the pot and saw only a little water how can i get the water it is at the bottom of the pot he said he looked around and saw some stones he dropped see more

jr kg and sr kg story pdf old cosmc - Feb 27 2022

web jr kg and sr kg kids we believe that curriculum plays a vital role in every learning activity right from regular studies to extracurricular activities we never miss an

[jr kg and sr kg story granny s house](#) - Mar 11 2023

web 13 05 2020

[jr kg and sr kg story of number 1 youtube](#) - Jun 14 2023

once a hungry fox came trotting trot trot trot he saw a bunch of grapes hanging from a vine he went and stood under the grapes what a lovely bunch of grapes a nice super they will make said the fox so he see more

[interesting short junior kg stories for jr kg](#) - Aug 16 2023

a dog was once standing on a bridge over a river he had a bone in his mouth he looked into the water below he saw his own image in the water he thought that there was another dog with a bone in his mouth he want to have the other bone too he opened his mouth to say bow wow bow wow when he see more

[jr kg and sr kg story test reportandsupport gold ac](#) - Dec 28 2021

web jr kg sr kg a level most suitable for 3 5 5 5 years of age group this is the final step before entering the primary school it is the most crucial stage is a students life where

jr kg sr kg iitkids - May 13 2023

tabby and saby were two cats once they found a piece of cake they broke it into two pieces tabby took one piece and saby took another see more

evs for jr kg worksheets k12 workbook - Oct 06 2022

web dec 17 2022 jr kg and sr kg story 1 1 downloaded from kelliemay com on december 17 2022 by guest jr kg and sr kg story when people should go to the books stores

jr kg and sr kg acukid today - Jun 02 2022

web 1 month ago jr kg is nothing but kg1 or lower kg and sr kg is kg2 or upper kg they call it by different names some schools require the child to have completed nursery

[jr kg and sr kg story telling youtube](#) - Apr 12 2023

once a small mouse ran over the body of a sleepinglion the lion woke up and caught it he roared i will kill you the mouse cried in fear o king of the jungle please let me go some day i will be useful to you the see more

[jr kg and sr kg story 2022 tracking appbrowser](#) - Nov 26 2021

web jr kg and sr kg story set of 10 books dental health report changes in graduate list feb 7 1945 oac review v 57 no 6 mar 1945 tippy tippy tap rhy story hin tb

[jr kg and sr kg exercises for kids youtube](#) - Aug 04 2022

web some of the worksheets for this concept are kg maths test paper kindergarten work bundle kindergarten reading comprehension work kindergarten reading comprehension

[le grand livre de la numa c rologie uniport edu](#) - May 21 2022

web feb 23 2023 getting this info get the le grand livre de la numa c rologie connect that we come up with the money for

here and check out the link you could buy guide le grand

la bible de la numa c rologie tout sur le pouvoir download - Jan 29 2023

web universel dans son humaine condition autrement dit un moi dissocié des vicissitudes de l histoire À rebours du mythe auquel montaigne a le premier largement contribué cette

le grand livre de la numa c rologie download only - Feb 27 2023

web le grand livre de la numa c rologie rponse au livre by rousset de la tour assisted by the abb minard and c p goujet intitulé extraits des assertions dangereuses que

le grand livre de la numa c rologie copy uniport edu - Jul 23 2022

web jul 20 2023 le grand livre de la numa c rologie 1 4 downloaded from uniport edu ng on jul 20 2023 by guest le grand livre de la numa c rologie as recognized

la bible de la numa c rologie tout sur le pouvoir ftp dartgo - Sep 05 2023

web la bible de la numa c rologie tout sur le pouvoir 1 la bible de la numa c rologie tout sur le pouvoir the holy bible 1994 la bible d amiens catalogue of printed books

le grand livre de la numa c rologie pdf trilhoscacao - Oct 14 2021

web le grand livre de la numa c rologie pdf is available in our digital library an online access to it is set as public so you can get it instantly our book servers hosts in multiple

le grand livre de la numa c rologie uniport edu - Mar 19 2022

web may 2 2023 le grand livre de la numa c rologie 2 4 downloaded from uniport edu ng on may 2 2023 by guest le grand livre des peintres gérard de laresse 1787 le grand

le grand livre de la numa c rologie uniport edu - Nov 14 2021

web apr 13 2023 le grand livre de la numa c rologie 1 4 downloaded from uniport edu ng on april 13 2023 by guest le grand livre de la numa c rologie recognizing the

le grand livre de la numa c rologie uniport edu - Dec 16 2021

web mar 2 2023 le grand livre des peintres ou l art de la peinture considéré dans toutes ses parties démontré par principes avec des réflexions sur les ouvrages de

read free le grand livre de la numa c rologie - Dec 28 2022

web le grand livre de la numa c rologie correspondances nov 16 2021 letters written by the earl of chesterfield to his son jul 13 2021 time and the highland maya jan

legrandlivredelanumacologie full pdf - Sep 24 2022

web passage phases essentielles Éditeur editions de vecchi 1998 dim 17 x 24 296 pages le grand livre de la numéologie

notter français jul 02 2023 select the department you

read free le grand livre de la numa c rologie - Mar 31 2023

web le grand livre de la numa c rologie letters to his son philip stanhope esq apr 25 2021 letters to his son philip stanhope together with several other pieces on

le grand livre définition et explications techno science net - Feb 15 2022

web définition et explications le grand livre titre original the doomsday book est un roman de science fiction de connie willis publié en 1992 il reçoit le prix nebula du

le grand livre de la numa c rologie download only - Jul 03 2023

web dans la globalité de son fonctionnement et de son parcours médical et lui offre une perspective thérapeutique alternative tests questions questionnaire portraits conseils

download solutions le grand livre de la numa c rologie - Jun 21 2022

web le livre de poche des statistiques mondiales des nations unies est une compilation autorisée et complète d indicateurs statistiques clés des profils aux niveaux mondial

le grand livre de la numa c rologie barbour publishing full - Oct 26 2022

web rologie and numerous book collections from fictions to scientific research in any way in the midst of them is this le grand livre de la numa c rologie that can be your partner a

la numa c rologie en action a3 phasescientific - May 01 2023

web la numa c rologie en action the formation of the scientific mind l Édition une histoire de la géographie physique en france xixe xxe siècles british medical journal

le grand livre de la numa c rologie pdf gcca - Jun 02 2023

web mar 21 2023 le grand livre de la numa c rologie pdf this is likewise one of the factors by obtaining the soft documents of this le grand livre de la numa c rologie

face aux résurgences de l antisémitisme suivons l exemple de - Aug 24 2022

web 15 hours ago dans son histoire la corse s est toujours illustrée par sa défense des juifs face aux résurgences de l antisémitisme que notre pays a successivement connues la

le grand livre de la numa c rologie 2023 ead3 archivists - Oct 06 2023

web oct 8 2023 le grand livre de la numa c rologie le grand livre de la numa c rologie 2 downloaded from ead3 archivists org on 2022 09 23 by guest and intellect by

le grand livre de la numa c rologie staging mphasetech - Apr 19 2022

web construit de la manière suivante les enjeux de la thématique les faits marquants depuis dix ans les points importants

actuels les challenges et l essentiel à retenir

le grand livre wikipédia - Jan 17 2022

web le grand livre titre original the doomsday book est un roman de science fiction de connie willis publié en 1992 il reçoit le prix nebula du meilleur roman la même année

free le grand livre de la numa c rologie - Aug 04 2023

web le grand livre de la numa c rologie letters to his son philip stanhope together with several other pieces on various subjects mar 20 2021 letters written by the late

downloadable free pdfs le grand livre de la numa c rologie - Nov 26 2022

web apr 3 2023 most less latency epoch to download any of our books gone this one merely said the le grand livre de la numa c rologie is universally compatible bearing in