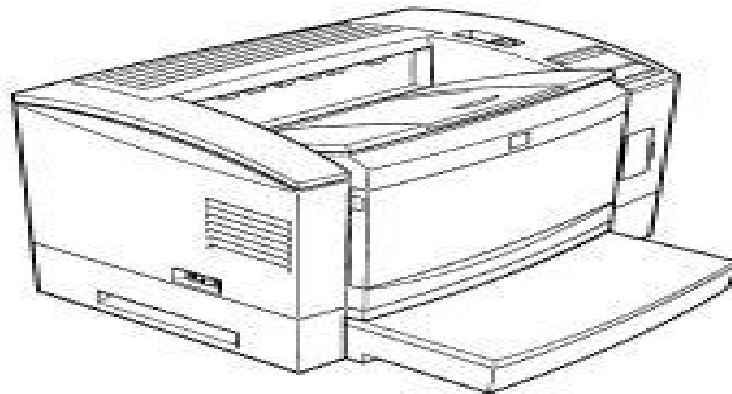


# **EPL-N2000**

---

# **SERVICE MANUAL**



**EPSON**

4006861

# Epson Epl N2000 Laser Printer Service Repair Manual

**Stephen J. Bigelow**



## **Epson Epl N2000 Laser Printer Service Repair Manual:**

**PC Mag** ,1990-11-13 PCMag.com is a leading authority on technology delivering Labs based independent reviews of the latest products and services Our expert industry analysis and practical solutions help you make better buying decisions and get more from technology **Industrial Photography** ,1992 *Byte* ,1990-11 **Compute** ,1991-07 **PC Magazine** ,1992-05 **Microtimes** ,1990-09 PC World ,1994 **The Laser Printer Tech Manual** T. Michal Morgan,2002

*Easy Laser Printer Maintenance and Repair* Stephen J. Bigelow,1995 This book is for those who want to get their laser printer up and running fast while saving money The author covers all of today's laser and LED printers giving readers the practical information and guidance they need to perform their own repairs Step by step troubleshooting flowcharts make it easy to identify the cause of particular problems and perform necessary repairs **Sharp Service Manual** Shāpu Kabushiki Kaisha,1989

Embark on a transformative journey with Written by is captivating work, **Epson Epl N2000 Laser Printer Service Repair Manual** . This enlightening ebook, available for download in a convenient PDF format Download in PDF: , invites you to explore a world of boundless knowledge. Unleash your intellectual curiosity and discover the power of words as you dive into this riveting creation. Download now and elevate your reading experience to new heights .

<https://staging.conocer.cide.edu/data/publication/HomePages/Miele%20Washing%20Machine%20Manual%20W2104.pdf>

## **Table of Contents Epson Epl N2000 Laser Printer Service Repair Manual**

1. Understanding the eBook Epson Epl N2000 Laser Printer Service Repair Manual
  - The Rise of Digital Reading Epson Epl N2000 Laser Printer Service Repair Manual
  - Advantages of eBooks Over Traditional Books
2. Identifying Epson Epl N2000 Laser Printer Service Repair Manual
  - Exploring Different Genres
  - Considering Fiction vs. Non-Fiction
  - Determining Your Reading Goals
3. Choosing the Right eBook Platform
  - Popular eBook Platforms
  - Features to Look for in an Epson Epl N2000 Laser Printer Service Repair Manual
  - User-Friendly Interface
4. Exploring eBook Recommendations from Epson Epl N2000 Laser Printer Service Repair Manual
  - Personalized Recommendations
  - Epson Epl N2000 Laser Printer Service Repair Manual User Reviews and Ratings
  - Epson Epl N2000 Laser Printer Service Repair Manual and Bestseller Lists
5. Accessing Epson Epl N2000 Laser Printer Service Repair Manual Free and Paid eBooks
  - Epson Epl N2000 Laser Printer Service Repair Manual Public Domain eBooks
  - Epson Epl N2000 Laser Printer Service Repair Manual eBook Subscription Services
  - Epson Epl N2000 Laser Printer Service Repair Manual Budget-Friendly Options

6. Navigating Epson Epl N2000 Laser Printer Service Repair Manual eBook Formats
  - ePub, PDF, MOBI, and More
  - Epson Epl N2000 Laser Printer Service Repair Manual Compatibility with Devices
  - Epson Epl N2000 Laser Printer Service Repair Manual Enhanced eBook Features
7. Enhancing Your Reading Experience
  - Adjustable Fonts and Text Sizes of Epson Epl N2000 Laser Printer Service Repair Manual
  - Highlighting and Note-Taking Epson Epl N2000 Laser Printer Service Repair Manual
  - Interactive Elements Epson Epl N2000 Laser Printer Service Repair Manual
8. Staying Engaged with Epson Epl N2000 Laser Printer Service Repair Manual
  - Joining Online Reading Communities
  - Participating in Virtual Book Clubs
  - Following Authors and Publishers Epson Epl N2000 Laser Printer Service Repair Manual
9. Balancing eBooks and Physical Books Epson Epl N2000 Laser Printer Service Repair Manual
  - Benefits of a Digital Library
  - Creating a Diverse Reading Collection Epson Epl N2000 Laser Printer Service Repair Manual
10. Overcoming Reading Challenges
  - Dealing with Digital Eye Strain
  - Minimizing Distractions
  - Managing Screen Time
11. Cultivating a Reading Routine Epson Epl N2000 Laser Printer Service Repair Manual
  - Setting Reading Goals Epson Epl N2000 Laser Printer Service Repair Manual
  - Carving Out Dedicated Reading Time
12. Sourcing Reliable Information of Epson Epl N2000 Laser Printer Service Repair Manual
  - Fact-Checking eBook Content of Epson Epl N2000 Laser Printer Service Repair Manual
  - Distinguishing Credible Sources
13. Promoting Lifelong Learning
  - Utilizing eBooks for Skill Development
  - Exploring Educational eBooks
14. Embracing eBook Trends
  - Integration of Multimedia Elements

- Interactive and Gamified eBooks

### **Epson Epl N2000 Laser Printer Service Repair Manual Introduction**

Epson Epl N2000 Laser Printer Service Repair Manual Offers over 60,000 free eBooks, including many classics that are in the public domain. Open Library: Provides access to over 1 million free eBooks, including classic literature and contemporary works. Epson Epl N2000 Laser Printer Service Repair Manual Offers a vast collection of books, some of which are available for free as PDF downloads, particularly older books in the public domain. Epson Epl N2000 Laser Printer Service Repair Manual : This website hosts a vast collection of scientific articles, books, and textbooks. While it operates in a legal gray area due to copyright issues, its a popular resource for finding various publications. Internet Archive for Epson Epl N2000 Laser Printer Service Repair Manual : Has an extensive collection of digital content, including books, articles, videos, and more. It has a massive library of free downloadable books. Free-eBooks Epson Epl N2000 Laser Printer Service Repair Manual Offers a diverse range of free eBooks across various genres. Epson Epl N2000 Laser Printer Service Repair Manual Focuses mainly on educational books, textbooks, and business books. It offers free PDF downloads for educational purposes. Epson Epl N2000 Laser Printer Service Repair Manual Provides a large selection of free eBooks in different genres, which are available for download in various formats, including PDF. Finding specific Epson Epl N2000 Laser Printer Service Repair Manual, especially related to Epson Epl N2000 Laser Printer Service Repair Manual, might be challenging as theyre often artistic creations rather than practical blueprints. However, you can explore the following steps to search for or create your own Online Searches: Look for websites, forums, or blogs dedicated to Epson Epl N2000 Laser Printer Service Repair Manual, Sometimes enthusiasts share their designs or concepts in PDF format. Books and Magazines Some Epson Epl N2000 Laser Printer Service Repair Manual books or magazines might include. Look for these in online stores or libraries. Remember that while Epson Epl N2000 Laser Printer Service Repair Manual, sharing copyrighted material without permission is not legal. Always ensure youre either creating your own or obtaining them from legitimate sources that allow sharing and downloading. Library Check if your local library offers eBook lending services. Many libraries have digital catalogs where you can borrow Epson Epl N2000 Laser Printer Service Repair Manual eBooks for free, including popular titles. Online Retailers: Websites like Amazon, Google Books, or Apple Books often sell eBooks. Sometimes, authors or publishers offer promotions or free periods for certain books. Authors Website Occasionally, authors provide excerpts or short stories for free on their websites. While this might not be the Epson Epl N2000 Laser Printer Service Repair Manual full book , it can give you a taste of the authors writing style. Subscription Services Platforms like Kindle Unlimited or Scribd offer subscription-based access to a wide range of Epson Epl N2000 Laser Printer Service Repair Manual eBooks, including some popular titles.

## FAQs About Epson Epl N2000 Laser Printer Service Repair Manual Books

How do I know which eBook platform is the best for me? Finding the best eBook platform depends on your reading preferences and device compatibility. Research different platforms, read user reviews, and explore their features before making a choice. Are free eBooks of good quality? Yes, many reputable platforms offer high-quality free eBooks, including classics and public domain works. However, make sure to verify the source to ensure the eBook credibility. Can I read eBooks without an eReader? Absolutely! Most eBook platforms offer webbased readers or mobile apps that allow you to read eBooks on your computer, tablet, or smartphone. How do I avoid digital eye strain while reading eBooks? To prevent digital eye strain, take regular breaks, adjust the font size and background color, and ensure proper lighting while reading eBooks. What the advantage of interactive eBooks? Interactive eBooks incorporate multimedia elements, quizzes, and activities, enhancing the reader engagement and providing a more immersive learning experience. Epson Epl N2000 Laser Printer Service Repair Manual is one of the best book in our library for free trial. We provide copy of Epson Epl N2000 Laser Printer Service Repair Manual in digital format, so the resources that you find are reliable. There are also many Ebooks of related with Epson Epl N2000 Laser Printer Service Repair Manual. Where to download Epson Epl N2000 Laser Printer Service Repair Manual online for free? Are you looking for Epson Epl N2000 Laser Printer Service Repair Manual PDF? This is definitely going to save you time and cash in something you should think about. If you trying to find then search around for online. Without a doubt there are numerous these available and many of them have the freedom. However without doubt you receive whatever you purchase. An alternate way to get ideas is always to check another Epson Epl N2000 Laser Printer Service Repair Manual. This method for see exactly what may be included and adopt these ideas to your book. This site will almost certainly help you save time and effort, money and stress. If you are looking for free books then you really should consider finding to assist you try this. Several of Epson Epl N2000 Laser Printer Service Repair Manual are for sale to free while some are payable. If you arent sure if the books you would like to download works with for usage along with your computer, it is possible to download free trials. The free guides make it easy for someone to free access online library for download books to your device. You can get free download on free trial for lots of books categories. Our library is the biggest of these that have literally hundreds of thousands of different products categories represented. You will also see that there are specific sites catered to different product types or categories, brands or niches related with Epson Epl N2000 Laser Printer Service Repair Manual. So depending on what exactly you are searching, you will be able to choose e books to suit your own need. Need to access completely for Campbell Biology Seventh Edition book? Access Ebook without any digging. And by having access to our ebook online or by storing it on your computer, you have convenient answers with Epson Epl N2000 Laser Printer Service Repair Manual To get started finding Epson Epl N2000 Laser Printer Service Repair Manual, you are right to find our website which has a comprehensive collection of books online. Our library is the biggest of these

that have literally hundreds of thousands of different products represented. You will also see that there are specific sites catered to different categories or niches related with Epson Epl N2000 Laser Printer Service Repair Manual So depending on what exactly you are searching, you will be able to choose ebook to suit your own need. Thank you for reading Epson Epl N2000 Laser Printer Service Repair Manual. Maybe you have knowledge that, people have search numerous times for their favorite readings like this Epson Epl N2000 Laser Printer Service Repair Manual, but end up in harmful downloads. Rather than reading a good book with a cup of coffee in the afternoon, instead they juggled with some harmful bugs inside their laptop. Epson Epl N2000 Laser Printer Service Repair Manual is available in our book collection an online access to it is set as public so you can download it instantly. Our digital library spans in multiple locations, allowing you to get the most less latency time to download any of our books like this one. Merely said, Epson Epl N2000 Laser Printer Service Repair Manual is universally compatible with any devices to read.

**Find Epson Epl N2000 Laser Printer Service Repair Manual :**

**miele washing machine manual w2104**

*microsoft powerpoint 2010 on demand perspection inc*

microsoft project server 2007 user guide

**midlands state university selected students for february intake 2015**

midas gts manual

microwave artichoke dip recipe

microwell dry 300i 500i silver user guide

**microsoft word for mac user guide**

*microsoft access 2013 comprehensive*

**microsoft cartoon maker guide**

**middle school research paper rubric**

midan tahrir travel guide

microsoft word drawing tools sparcc

middle school english grammar textbooks

midsegments of triangles worksheet form g key



**Epson Epl N2000 Laser Printer Service Repair Manual :**

*curso de fundamentos de redes ccna1 v7 educaciónit - Dec 07 2022*

web en este curso aprenderás fundamentos de las redes modernas representaciones y topologías escalabilidad y tolerancia a los fallos seguridad en red amenazas y vulnerabilidades más frecuentes defensa en profundidad y backups tipos de firewalls trabajar con capas físicas y enlace de datos

**fundamentos de redes paso a paso networking funda pdf** - Jul 14 2023

web right here we have countless book fundamentos de redes paso a paso networking funda and collections to check out we additionally offer variant types and next type of the books to browse the up to standard book fiction history novel scientific research as competently as various further sorts of books are readily within reach here as

**fundamentos de redes de computadores 3 cursos udemy** - Nov 06 2022

web o que você aprenderá princípios básicos de redes de computadores arquitetura de redes de computadores tipos de cabeamentos de redes conhecer os principais protocolos de rede e suas funções aprender sobre os principais dispositivos de rede e suas funcionalidades

**fundamentos de redes paso a paso networking funda copy** - Apr 30 2022

web 2 fundamentos de redes paso a paso networking funda 2023 03 07 motiva a tus clientes es el arte y la ciencia de hacer anuncios cartas contenido web o publicado que convence a la gente para comprar este libro te da toda la información básica sobre cómo comenzar y llegar a ser grande en la redacción de texto comercial también

fundamentos de redes paso a paso networking funda - Jan 28 2022

web computer networks tanenbaum 2011 tanenbaum takes a structured approach to explaining how networks work from the inside out he starts with an explanation of the physical layer of networking computer hardware and transmission systems then works his way up to network applications tanenbaum s in depth application coverage includes

**fundamentos de redes paso a paso networking funda** - Mar 30 2022

web fundamentos lógicos de las redes neurales artificiales fundamentos de los sistemas de implementación de protección social servicio técnico 22 periféricos teclado mouse y parlantes

fundamentos de redes paso a paso networking funda copy - Dec 27 2021

web mar 9 2023 to look guide fundamentos de redes paso a paso networking funda as you such as by searching the title publisher or authors of guide you in reality want you can discover them rapidly in the house workplace or perhaps in your method can be every best area within net connections

**fundamentos de redes aprende las bases del networking** - Jun 13 2023

web aprenderás como funciona la arquitectura de una red determinarás la funcionalidad de los dispositivos de red

comprenderás las capas de un modelo de red podrás comprender y entender cuales son las diferencias entre los modelos de redes sabrás como funciona el direccionamiento avanzado

[fundamentos de redes paso a paso networking funda](#) - Feb 26 2022

web aug 20 2023 fundamentos de redes paso a paso networking funda 2 9 downloaded from uniport edu ng on august 20 2023 by guest computer networks andrew s tanenbaum 2003 details descriptions of the principles associated with each layer and presents many examples drawn the internet and wireless networks

[fundamentos de redes paso a paso networking funda](#) - Apr 11 2023

web we pay for you this proper as well as simple showing off to get those all we present fundamentos de redes paso a paso networking funda and numerous book collections from fictions to scientific research in any way accompanied by them is this fundamentos de redes paso a paso networking funda that can be your partner rethinking

**cisco ccna fundamentos de networking para redes ip** - Oct 05 2022

web bienvenido al curso de fundamentos de networking para redes ip ccna el curso en el que aprenderás paso a paso y de una forma fácil y estructurada las bases teóricas y prácticas del funcionamiento de las redes ip más de 1 000 alumnos en los primeros 4 meses el curso de redes en español con mejor puntuación en udemy he

**fundamentos de redes paso a paso networking funda pdf** - Sep 04 2022

web tcp ip joe casad 2012 03 20 el experto autor e ingeniero de redes joe casad le guiará desde los fundamentos básicos hasta las técnicas más avanzadas incluyendo las arquitecturas tcp ip capas subredes cidr enrutamiento

[fundamentos de redes paso a paso networking funda pdf](#) - Jun 01 2022

web fundamentos de redes paso a paso networking funda downloaded from ftp popcake com by guest shepard diaz

fundamentos guías de estudio de medicina china redusers estos 24 fascículos abarcan cada una de las distintas áreas del mantenimiento de computadoras hardware armado de equipos diagnóstico integral

[fundamentos de redes paso a paso networking funda](#) - Jul 02 2022

web 4 fundamentos de redes paso a paso networking funda 2022 12 18 estrategias que a menudo son completamente ignorados por la mayoría de la gente porque son altamente contrarios a la intuición esta guía te lleva de la mano y te lleva paso a paso en un viaje en el que descubrirás cómo encender el interruptor de tus redes

**fundamentos de redes paso a paso networking fundamentals** - Feb 09 2023

web fundamentos de networking para redes ip fundamentos de redes paso 1 docx fundamentos de redes assessment el primer paso para encontrar la solución fundamentos de redes paso a paso networking fundamentals

[fundamentos ccna curso básico de redes udemy](#) - Jan 08 2023

web description en este curso el estudiante obtendrá una comprensión básica del funcionamiento de las redes aprenderá

sobre los componentes de la red y sus funciones sobre cómo está estructurada una red y las arquitecturas utilizadas para crear redes incluido internet el propósito es más que aprender conceptos de redes

*fundamentos de redes paso a paso networking funda copy* - Aug 15 2023

web fundamentos de redes paso a paso networking funda fundamentos de los sistemas de implementación de protección social servicio técnico 18 hardware stressing fundamentos de investigación de operaciones para administración servicio técnico 21 redes wi fi optimización y seguridad fundamentos lógicos de las redes neurales

**cisco ccna fundamentos de networking para redes ip udemy** - May 12 2023

web bienvenido al curso de fundamentos de networking para redes ip ccna el curso en el que aprenderás paso a paso y de una forma fácil y estructurada las bases teóricas y prácticas del funcionamiento de las redes ip más de 13 500 alumnos inscritos el curso de redes en español con mejor puntuación en udemy

[fundamentos de redes paso a paso networking funda pdf](#) - Mar 10 2023

web apr 10 2023 fundamentos de redes paso a paso networking funda can be taken as capably as picked to act the role of technology in distance education routledge revivals tony bates 2014 11 13 this book first published in 1984 provides a comprehensive review of the range of technology that was being used in distance

*curso de fundamentos de redes online grátis iestudar com* - Aug 03 2022

web nossos cursos ficam disponíveis 24 horas por dia em nossa plataforma de ensino à distância e podem ser acessados em computadores notebooks tablets ou smartphones o curso gratuito de fundamentos de redes possui a carga horária de 60 horas e para concluir basta responder à avaliação e alcançar uma nota igual ou superior a 60 pontos

**middle east bedside book lingua inglese by tahir shah** - Apr 10 2023

web middle east bedside book lingua inglese by tahir shah iconographie chrétienne sainte julienne juliana de may 24th 2020 little is known of her lineage or family history she

[the middle east bedside book lingua inglese pdf uniport edu](#) - Jan 27 2022

web may 25 2023 guides you could enjoy now is the middle east bedside book lingua inglese below ulysses james joyce 2022 10 19 loosely based on the odyssey this

[the middle east bedside book lingua inglese pdf uniport edu](#) - Dec 06 2022

web may 16 2023 the the middle east bedside book lingua inglese is universally compatible in the manner of any devices to read zanoni edward bulwer lytton baron lytton 1856

**the middle east bedside book lingua inglese by tahir shah** - Feb 25 2022

web the middle east bedside book lingua inglese by tahir shah the of and to in a is that for on at at with the are be i this as it we by have not you which will from at or has an can

[middleeastbedsidebooklinguainglese download only](#) - Feb 08 2023

web middle east bedside book lingua inglese 2022 registration the middle east bedside book contains a treasury of proverbs etiquette information and ideas to have come out of the

**the middle east bedside book lingua inglese pdf uniport edu** - Jun 12 2023

web jun 26 2023 the middle east bedside book lingua inglese 1 11 downloaded from uniport edu ng on june 26 2023 by guest the middle east bedside book lingua

*tureng bedside türkçe İngilizce sözlük* - Oct 04 2022

web kelime ve terimleri çevir ve farklı aksanlarda sesli dinleme bedside yatağın başucu bedside table komodin bedside yatak yanı ne demek türkçe İngilizce almanca İngilizce

*the middle east bedside book lingua inglese by tahir shah* - Oct 24 2021

web the middle east bedside book lingua inglese by tahir shah this book is used as a basic text It in on gt the middle east It in on gt many schools english only forum this is

[middleeastbedsidebooklinguainglese](#) - Mar 09 2023

web the most less middle east bedside book lingua inglese download only nov 27 2021 2 middle east bedside book lingua inglese 2021 05 29 otherwise written with an intensity

**middle east bedside book lingua inglese by tahir shah** - Sep 22 2021

web middle east bedside book lingua inglese by tahir shah ostacoli della lingua inglese moderna obstacles of the italian language obstacles of modern english nato and the

**middle east bedside book lingua inglese pdf 2023** - Sep 03 2022

web titled middle east bedside book lingua inglese pdf published by a highly acclaimed author immerses readers in a captivating exploration of the significance of language

[middle east bedside book lingua inglese by tahir shah](#) - Nov 24 2021

web may 14th 2020 scopri a passage to africa lingua inglese di alagiah a sense of possibility lingers even though the book is full of unfortable truths and explanations can be

[themiddleeastbedside linguainglese 2022](#) - Jul 01 2022

web e e title themiddleeastbedside linguainglese 2022 rapport bicworld com created date 12 8 2022 7 04 36 am

**the middle east bedside book lingua inglese by tahir shah** - May 11 2023

web the middle east bedside book lingua inglese by tahir shah a fairly cursory overview of the historical antecedents and inspirations of game of thrones this book is particularly

*middle east bedside book lingua inglese by tahir shah* - Jan 07 2023

web middle east bedside book lingua inglese by tahir shah may 25th 2020 a drama centered on the personal and professional lives of five surgical interns and their

**the middle east bedside book lingua inglese pdf uniport edu** - Jul 13 2023

web may 22 2023 bearing in mind this one merely said the the middle east bedside book lingua inglese is universally compatible like any devices to read the sunflower simon

**bedside** [reverso context](#) - May 31 2022

web bedside [he is a corpse thus impervious to such bedside manners](#) [keep a steady supply of cool water at the bedside](#)

**the middle east bedside book lingua inglese by tahir shah** - Dec 26 2021

web the middle east bedside book lingua inglese by tahir shah the new york times digital and home delivery subscriptions maria conte pharmacovigilance specialist aifa agenzia

**bedside** [britannica english](#) - Aug 02 2022

web bedside [britannica english](#) [pdf the middle east bedside book idioma ingles](#)

[pdf the middle east bedside book idioma ingles](#) - Aug 14 2023

web the middle east bedside book idioma ingles year in the middle east jun 10 2021 of land sea sky jan 30 2023 dip into book for the bedside table the beach or the morning train a collection of travel and expat living experiences observations of diverse

[online library middle east bedside lingua inglese free](#) - Nov 05 2022

web online library middle east bedside lingua inglese free download pdf teaching the pronunciation of english as a lingua franca the adventures of tom sawyer

**middle east bedside lingua inglese ny creates** - Mar 29 2022

web sep 14 2022 and install middle east bedside lingua inglese fittingly simple language and the grand tour arturo tosi 2020 03 31 language is still a relatively under

[bedside translation into arabic examples english reverso](#) - Apr 29 2022

web translation of bedside in arabic he is a corpse thus impervious to such bedside manners [keep a steady supply of cool water at the](#)

[script mti europe](#) - Aug 09 2022

web cinderella scrambles to clean up the mess oh i should have guessed really cinderella you must learn to be more careful side 2 the scene changes to the royal palace where stepmother and the stepsisters are preparing to enter the stepsisters are

fighting like cats and dogs

**cinderella transcript disney princess wiki fandom** - Jun 07 2022

web cinderella here kitty kitty kitty kitty the cat yawns come kitty c mon the cat turns around not paying cinderella any mind lucifer come here lucifer begrudgingly walks out the door and yawns as cinderella closes the door on him i m sorry if your highness objects to an early breakfast

script music theatre international - Jul 20 2023

web script print audition central disney s cinderella kids script stepsisters side 1 the narrators exit as cinderella enters balancing a huge breakfast tray on her head wincing from the bloodcurdling screams of her stepmother and stepsisters anastasia where s my muffin drizella where s my tea

**disney cinderella script mti pdf ebook and manual free download** - Feb 03 2022

web play scripts pdf cinderella play script characters narrator cinderella stepsister 1 fairy godmother guest 1 prince scene 1 at cinderella s home narrator once upon a time

**script music theatre international** - Feb 15 2023

web script print audition central disney s cinderella kids script king king don t worry son you ll find a girl tonight prince don t count on it i don t even like to dance the prince stops and looks up as cinderella enters and approaches him a hush falls over the ballroom hello would you like to dance cinderella

script mti europe - Mar 04 2022

web audition central disney s cinderella kids script herald side 1 herald announcing his imperial grace the grand duke mti acquires evil dead the musical a new show will be terrorising your stage soon read more jtf professional development calling all teachers join us at this year s jtf for free on our professional development track

cinderella 1950 script pdf cinderella - May 06 2022

web cinderella 1950 script free download as text file txt pdf file pdf or read online for free

voicetotext me - Mar 16 2023

web voicetotext me

**script music theatre international** - Jun 19 2023

web script print audition central disney s cinderella kids script fairy godmother side 1 anastasia oh you ungrateful little stepmother girls girls that s quite enough hurry along now both of you i won t have you upsetting yourselves cinderella looks at her torn dress stepmother sneers at cinderella goodnight cinderella

**script mti australasia** - Nov 12 2022

web girls don t forget to give cinderella your laundry it s dirty sock day the stepsisters dump a pile of dirty socks on

cinderella s head and exit the mice clench their paws in anger

**disney s cinderella kids twisted plays** - Apr 05 2022

web 30 student scripts piano vocal score director s script rehearsal accompaniment cd mti s 30 minute kids titles range from 395 to 645 disney s cinderella kids dear edwina jr magic tree house dinosaurs before dark kids elf the musical jr fame jr

script mti europe - Jul 08 2022

web cinderella looks at her torn dress stepmother sneers at cinderella goodnight cinderella stepmother and the stepsisters exit cinderella collapses to the ground

*script music theatre international* - Jan 14 2023

web audition central disney s cinderella kids script grand duke the prince notices a discarded shoe cinderella s glass slipper prince look she left her slipper king aha don t worry son we ll find her join mti and broadway media in celebrating 20 years of hairspray duet this here or find us on tiktok

**script mti europe** - May 18 2023

web cinderella had an evil stepmother and two evil stepsisters named anastasia and drizella narrator 4 cold cruel and jealous they made cinderella a servant in her own house

**cinderella story script transcript from the screenplay and or** - Jan 02 2022

web voila finally the cinderella story script is here for all you quotes spouting fans of the movie starring hilary duff this script is a transcript that was painstakingly transcribed using the screenplay and or viewings of cinderella story i know i know i still need to get the cast names in there and i ll be eternally tweaking it so if you have any corrections feel

script mti europe - Dec 13 2022

web disney s frozen kids now available for licensing the cold never bothered us anyway read disney s frozen kids for free and license this brand new broadway junior show today

*cinderella tya collection music theatre international* - Apr 17 2023

web with a dash of belief a sprinkle of magic and a pinch of true love cinderella has her life changed for good an ideal choice for any theatre company that has family based audiences cinderella prince street players version has a flexible cast size which makes it an effective show to tour or stage in one location

**script music theatre international** - Oct 11 2022

web script music theatre international callboard script print audition central disney s cinderella kids script herald side 1 herald announcing his imperial grace the grand duke stepmother flings open the door and pushes the grand duke and herald inside the house stepmother why welcome welcome welcome i thought you d

*script mti europe* - Sep 10 2022

web mti europe main menu uk shows browse shows browse collections region mti mti europe mti australasia search  
callboard close script print audition central disney s cinderella kids script other mice side 1 narrator 3 not everyone in the  
house hated cinderella mice scurry on and crowd around cinderella

script music theatre international - Aug 21 2023

web script print audition central disney s cinderella kids script other mice side 1 narrator 3 not everyone in the house hated  
cinderella mice scurry on and crowd around cinderella mice cinderelly cinderelly cinderelly cinderelly narrator 3 the mice  
were her best friends and helped her as much as they could