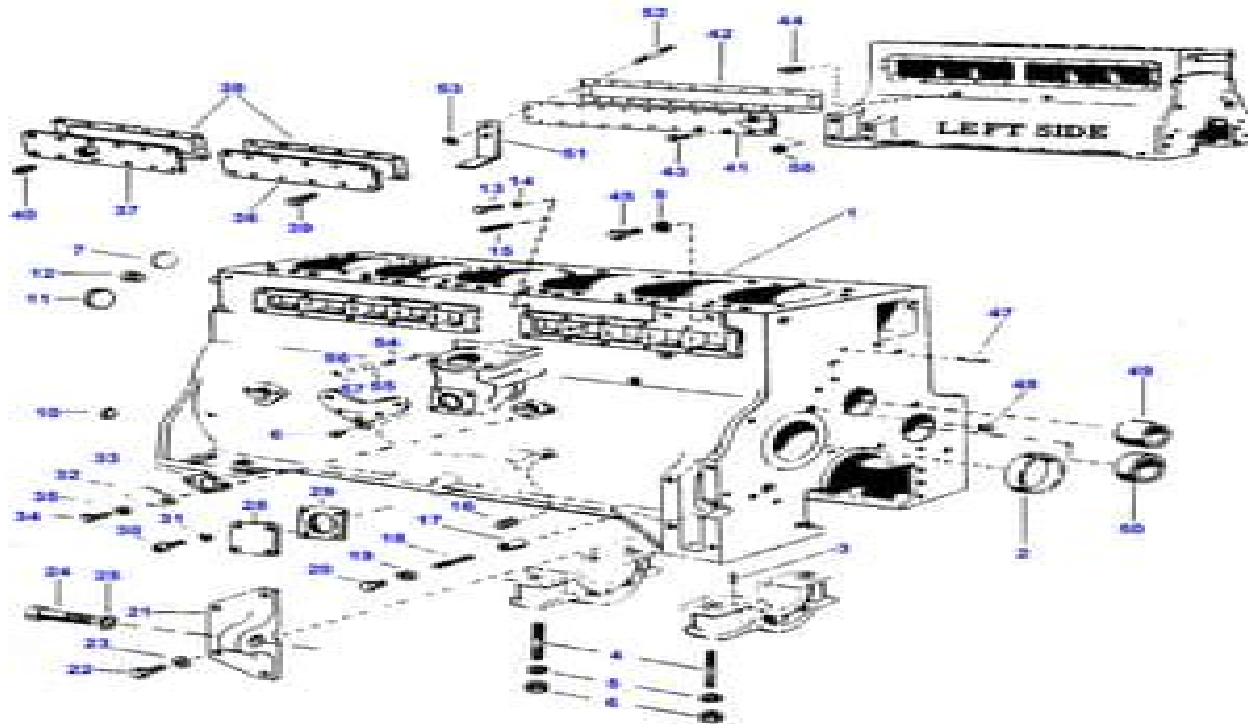


2

CYLINDER BLOCK (GAS)

REF 1



3447-17/000

651 203 MF1 (Rev. 1) 2/73

Massey Ferguson 1100 Parts Manual

Michael Rajnik



Massey Ferguson 1100 Parts Manual:

If you ally dependence such a referred **Massey Ferguson 1100 Parts Manual** books that will offer you worth, acquire the no question best seller from us currently from several preferred authors. If you want to funny books, lots of novels, tale, jokes, and more fictions collections are also launched, from best seller to one of the most current released.

You may not be perplexed to enjoy all book collections Massey Ferguson 1100 Parts Manual that we will unquestionably offer. It is not around the costs. Its very nearly what you need currently. This Massey Ferguson 1100 Parts Manual, as one of the most keen sellers here will completely be accompanied by the best options to review.

https://staging.conocer.cide.edu/results/detail/Documents/Evaluation_Of_The_Wrist_And_Hand.pdf

Table of Contents Massey Ferguson 1100 Parts Manual

1. Understanding the eBook Massey Ferguson 1100 Parts Manual
 - The Rise of Digital Reading Massey Ferguson 1100 Parts Manual
 - Advantages of eBooks Over Traditional Books
2. Identifying Massey Ferguson 1100 Parts Manual
 - Exploring Different Genres
 - Considering Fiction vs. Non-Fiction
 - Determining Your Reading Goals
3. Choosing the Right eBook Platform
 - Popular eBook Platforms
 - Features to Look for in an Massey Ferguson 1100 Parts Manual
 - User-Friendly Interface
4. Exploring eBook Recommendations from Massey Ferguson 1100 Parts Manual
 - Personalized Recommendations
 - Massey Ferguson 1100 Parts Manual User Reviews and Ratings
 - Massey Ferguson 1100 Parts Manual and Bestseller Lists
5. Accessing Massey Ferguson 1100 Parts Manual Free and Paid eBooks

- Massey Ferguson 1100 Parts Manual Public Domain eBooks
 - Massey Ferguson 1100 Parts Manual eBook Subscription Services
 - Massey Ferguson 1100 Parts Manual Budget-Friendly Options
6. Navigating Massey Ferguson 1100 Parts Manual eBook Formats
- ePub, PDF, MOBI, and More
 - Massey Ferguson 1100 Parts Manual Compatibility with Devices
 - Massey Ferguson 1100 Parts Manual Enhanced eBook Features
7. Enhancing Your Reading Experience
- Adjustable Fonts and Text Sizes of Massey Ferguson 1100 Parts Manual
 - Highlighting and Note-Taking Massey Ferguson 1100 Parts Manual
 - Interactive Elements Massey Ferguson 1100 Parts Manual
8. Staying Engaged with Massey Ferguson 1100 Parts Manual
- Joining Online Reading Communities
 - Participating in Virtual Book Clubs
 - Following Authors and Publishers Massey Ferguson 1100 Parts Manual
9. Balancing eBooks and Physical Books Massey Ferguson 1100 Parts Manual
- Benefits of a Digital Library
 - Creating a Diverse Reading Collection Massey Ferguson 1100 Parts Manual
10. Overcoming Reading Challenges
- Dealing with Digital Eye Strain
 - Minimizing Distractions
 - Managing Screen Time
11. Cultivating a Reading Routine Massey Ferguson 1100 Parts Manual
- Setting Reading Goals Massey Ferguson 1100 Parts Manual
 - Carving Out Dedicated Reading Time
12. Sourcing Reliable Information of Massey Ferguson 1100 Parts Manual
- Fact-Checking eBook Content of Massey Ferguson 1100 Parts Manual
 - Distinguishing Credible Sources
13. Promoting Lifelong Learning
- Utilizing eBooks for Skill Development

- Exploring Educational eBooks
- 14. Embracing eBook Trends
 - Integration of Multimedia Elements
 - Interactive and Gamified eBooks

Massey Ferguson 1100 Parts Manual Introduction

In today's digital age, the availability of Massey Ferguson 1100 Parts Manual books and manuals for download has revolutionized the way we access information. Gone are the days of physically flipping through pages and carrying heavy textbooks or manuals. With just a few clicks, we can now access a wealth of knowledge from the comfort of our own homes or on the go. This article will explore the advantages of Massey Ferguson 1100 Parts Manual books and manuals for download, along with some popular platforms that offer these resources. One of the significant advantages of Massey Ferguson 1100 Parts Manual books and manuals for download is the cost-saving aspect. Traditional books and manuals can be costly, especially if you need to purchase several of them for educational or professional purposes. By accessing Massey Ferguson 1100 Parts Manual versions, you eliminate the need to spend money on physical copies. This not only saves you money but also reduces the environmental impact associated with book production and transportation. Furthermore, Massey Ferguson 1100 Parts Manual books and manuals for download are incredibly convenient. With just a computer or smartphone and an internet connection, you can access a vast library of resources on any subject imaginable. Whether you're a student looking for textbooks, a professional seeking industry-specific manuals, or someone interested in self-improvement, these digital resources provide an efficient and accessible means of acquiring knowledge. Moreover, PDF books and manuals offer a range of benefits compared to other digital formats. PDF files are designed to retain their formatting regardless of the device used to open them. This ensures that the content appears exactly as intended by the author, with no loss of formatting or missing graphics. Additionally, PDF files can be easily annotated, bookmarked, and searched for specific terms, making them highly practical for studying or referencing. When it comes to accessing Massey Ferguson 1100 Parts Manual books and manuals, several platforms offer an extensive collection of resources. One such platform is Project Gutenberg, a nonprofit organization that provides over 60,000 free eBooks. These books are primarily in the public domain, meaning they can be freely distributed and downloaded. Project Gutenberg offers a wide range of classic literature, making it an excellent resource for literature enthusiasts. Another popular platform for Massey Ferguson 1100 Parts Manual books and manuals is Open Library. Open Library is an initiative of the Internet Archive, a non-profit organization dedicated to digitizing cultural artifacts and making them accessible to the public. Open Library hosts millions of books, including both public domain works and contemporary titles. It also allows users to borrow digital copies of certain books for a limited period, similar to a library.

lending system. Additionally, many universities and educational institutions have their own digital libraries that provide free access to PDF books and manuals. These libraries often offer academic texts, research papers, and technical manuals, making them invaluable resources for students and researchers. Some notable examples include MIT OpenCourseWare, which offers free access to course materials from the Massachusetts Institute of Technology, and the Digital Public Library of America, which provides a vast collection of digitized books and historical documents. In conclusion, Massey Ferguson 1100 Parts Manual books and manuals for download have transformed the way we access information. They provide a cost-effective and convenient means of acquiring knowledge, offering the ability to access a vast library of resources at our fingertips. With platforms like Project Gutenberg, Open Library, and various digital libraries offered by educational institutions, we have access to an ever-expanding collection of books and manuals. Whether for educational, professional, or personal purposes, these digital resources serve as valuable tools for continuous learning and self-improvement. So why not take advantage of the vast world of Massey Ferguson 1100 Parts Manual books and manuals for download and embark on your journey of knowledge?

FAQs About Massey Ferguson 1100 Parts Manual Books

How do I know which eBook platform is the best for me? Finding the best eBook platform depends on your reading preferences and device compatibility. Research different platforms, read user reviews, and explore their features before making a choice. Are free eBooks of good quality? Yes, many reputable platforms offer high-quality free eBooks, including classics and public domain works. However, make sure to verify the source to ensure the eBook credibility. Can I read eBooks without an eReader? Absolutely! Most eBook platforms offer webbased readers or mobile apps that allow you to read eBooks on your computer, tablet, or smartphone. How do I avoid digital eye strain while reading eBooks? To prevent digital eye strain, take regular breaks, adjust the font size and background color, and ensure proper lighting while reading eBooks. What the advantage of interactive eBooks? Interactive eBooks incorporate multimedia elements, quizzes, and activities, enhancing the reader engagement and providing a more immersive learning experience. Massey Ferguson 1100 Parts Manual is one of the best book in our library for free trial. We provide copy of Massey Ferguson 1100 Parts Manual in digital format, so the resources that you find are reliable. There are also many Ebooks of related with Massey Ferguson 1100 Parts Manual. Where to download Massey Ferguson 1100 Parts Manual online for free? Are you looking for Massey Ferguson 1100 Parts Manual PDF? This is definitely going to save you time and cash in something you should think about. If you trying to find then search around for online. Without a doubt there are numerous these available and many of them have the freedom. However without doubt you receive whatever you purchase. An alternate way to get ideas is always to check another Massey

Ferguson 1100 Parts Manual. This method for see exactly what may be included and adopt these ideas to your book. This site will almost certainly help you save time and effort, money and stress. If you are looking for free books then you really should consider finding to assist you try this. Several of Massey Ferguson 1100 Parts Manual are for sale to free while some are payable. If you arent sure if the books you would like to download works with for usage along with your computer, it is possible to download free trials. The free guides make it easy for someone to free access online library for download books to your device. You can get free download on free trial for lots of books categories. Our library is the biggest of these that have literally hundreds of thousands of different products categories represented. You will also see that there are specific sites catered to different product types or categories, brands or niches related with Massey Ferguson 1100 Parts Manual. So depending on what exactly you are searching, you will be able to choose e books to suit your own need. Need to access completely for Campbell Biology Seventh Edition book? Access Ebook without any digging. And by having access to our ebook online or by storing it on your computer, you have convenient answers with Massey Ferguson 1100 Parts Manual To get started finding Massey Ferguson 1100 Parts Manual, you are right to find our website which has a comprehensive collection of books online. Our library is the biggest of these that have literally hundreds of thousands of different products represented. You will also see that there are specific sites catered to different categories or niches related with Massey Ferguson 1100 Parts Manual So depending on what exactly you are searching, you will be able to choose ebook to suit your own need. Thank you for reading Massey Ferguson 1100 Parts Manual. Maybe you have knowledge that, people have search numerous times for their favorite readings like this Massey Ferguson 1100 Parts Manual, but end up in harmful downloads. Rather than reading a good book with a cup of coffee in the afternoon, instead they juggled with some harmful bugs inside their laptop. Massey Ferguson 1100 Parts Manual is available in our book collection an online access to it is set as public so you can download it instantly. Our digital library spans in multiple locations, allowing you to get the most less latency time to download any of our books like this one. Merely said, Massey Ferguson 1100 Parts Manual is universally compatible with any devices to read.

Find Massey Ferguson 1100 Parts Manual :

[evaluation of the wrist and hand](#)

[europaean union 1996 annual review of activities](#)

[evaluation and reform the elementary and secondary education act of 1965](#)title 1

[europaean politics in transition](#)

[europaean perspectives on consumer behavior](#)

[europaean discovery of america southern v](#)

evan silhouette romance no 819

evangelicals etcetera conflict and conviction in the church of englands parties

europaean literature and the latin middle ages.

~~europaean silver the thyssen bornemisza collection~~

evangelisms first modern media star reverend bill stidger

evening gun hardcover by

europaean history 1494 1789

everyday blessings stories to lift your spirit

evangeline the second

Massey Ferguson 1100 Parts Manual :

issue 5 october 2021 issn no 0971 4413 drdo - Mar 14 2023

web protective carbine jvpc lethal ammunition 5 56 x 45mm for insas rifle multi calibre rifle capable of firing 5 56 x 45 mm 7 62 x 39 mm and 6 8 x 43 mm ammunition and corner shot weapon system the process of small arms designing is an evolutionary process similar to military operations where

basic data of 5 56mm insas complete details about 5 56mm youtube - May 16 2023

web nov 28 2021 this video is only for educational purposes basic data of 5 56mm insas rifle all details about 5 56mm insas rifle best video for all under training recrui

basic data of 5 56mm insas rifle technical data youtube - Nov 10 2022

web this is a video of basic data of 5 56mm insas rifle this video is only for educational purpose

insas rifle the evolution of indian small arms militaryview - Jan 12 2023

web sep 25 2023 the insas rifle a blend of innovation and familiarity boasts several distinctive features it incorporates a chrome coated barrel ensuring durability and resistance to corrosion with six grooves on its barrel a rotating long stroke gas piston and a shutter design reminiscent of the akm the insas rifle demonstrates its ak lineage

5 56mm insas rifle full data in file from - Dec 31 2021

web 5 56mm insas rifle full data in file from 1 5 56mm insas rifle full data in file from the insas 5 56mm rifle a close and careful look insas rifle wikipedia p o l i c e m a n basic data of 5 56mm insas and it p o l i c e m a n 5 56mm insas ki chal in hindi 5 56mm insas girls frontline wiki

basic data of 5 56mm insas and it characteristics - Sep 20 2023

web jan 30 2016 reply wolfcroft september 2 2016 at 10 41 am dangerous english insas is a heavy rifle for a 5 56 cartridge it

uses the same long stroke gas the recoil is reduced further for the weight i think its chamber is for 5 56 m193 not the nato 5 56 3 burst fire is goob but yet at only 800rpm

pdf insas rifle data - Feb 13 2023

web insas rifle data climatological data for the united states by sections aug 23 2023 chemical heroes may 16 2020 in chemical heroes andrew bickford analyzes the us military s attempts to design performance enhancement technologies and create pharmacological supersoldiers capable of withstanding extreme trauma bickford traces

insas rifle full review 5 56mm insas rifle 5 56mm ncc technical data - Oct 09 2022

web insasrifle indianarmy nccwelcome in ncc exam channel 5 56 insas rifle parts and other technical data in this video all technical data of insas rifle pro

5 56mm insas rifle full data in file from download only - Feb 01 2022

web the insas 5 56mm rifle a technical treatise indians for the insas 5 56mm rifle a close and careful look insas rifle lmg and carbine indian defence analysis p o l i c e m a n basic data of 5 56mm insas and it insas 5 56 mm wikis the full wiki insas rifle wikipedia 5 56 insas foldable butt rifle factory ishapore

engineering insas rifle handwiki - Jul 06 2022

web history the development of the insas assault rifle began in mid 1980s when the indian army released a general staff qualitative requirement for a new assault rifle to replace locally produced licensed copy of the 11a1 self loading rifles which the army was using since 1961 the new assault rifle was to chamber the 5 56 45mm nato cartridge unlike

5 56mm insas 1c rifle directorate of ordnance - Jul 18 2023

web compatible with nato standard ammunition 5 56 x 45 mm ss 109 m 193 quick mounting of passive night sight daylight telescope stock pistol grip and hand guard made of impact resistant plastic in leaf brown colour magazines are made of translucent uv stabilised polycarbonate resin multipurpose bayonet functions as saw wire cutter

category insas rifle wikimedia commons - Apr 03 2022

web man with a indian 5 56mm insas rifle jpg 1 355 725 299 kb men in white jpg 3 632 3 241 2 29 mb all structured data from the file namespace is available under the creative commons cc0 license all unstructured text is available under the creative commons attribution sharealike license

insas weaponsystems net - Apr 15 2023

web the insas is a late cold war era assault rifle of indian origin it was developed in the 1980 s to replace the fal in indian service insas stands for indian national small arms system

insas rifle data lfe io - Mar 02 2022

web insas rifle data 1 omb no insas rifle data basic data of 5 56mm insas complete details about 5 56mm insas insas rifle capf

gun details insas 5 56 mm insas rifle ip video 5 56mm insas rifle ki chal aur roken 5 56mm insas lmg daylight telescopic sight data and review basic data of 5 56 mm insas lmg in hindi

[insas rifle data](#) - Nov 29 2021

web insas rifle data downloaded from graph safehousetech com by guest 2 2 insas rifle data 2022 04 13 manning koch agniputr oxford university press usa a detailed fully illustrated study of the most recognizable assault rifle ever produced the kalashnikov ak 47 is the most ubiquitous assault

insas assault rifle modern firearms - Dec 11 2022

web the insas system was originally planned to have three components a standard rifle a carbine and a squad automatic rifle lmg all chambered for 5 56 45 nato ammunition in 1997 the rifle and lmg were ready for mass production and in 1998 the first units were observed on an independence day parade armed with insas rifles

5 56 mm insas family drdo - Jun 17 2023

web insas rifles lmg have been introduced into service images 5 56 mm insas lmg fixed folding butt indian small arms system insas family consists of assault rifle fixed foldable butt version and lmg fixed foldable butt version having 70 commonality of parts and all firing the same ammunition

file insas rifle jpg wikimedia commons - May 04 2022

web jul 21 2008 english insas rifle indian army service rifle date 21 july 2008 source reouched image insas standard issue assault rifle jpg author original uploader user saurabh1212 retouched by atirador all structured data from the file namespace is available under the creative commons cc0 license

[about insas rifle dbpedia association](#) - Aug 07 2022

web insas or indian small arms system is a family of infantry arms consisting of an assault rifle and a light machine gun lmg it was designed by the armament research and development establishment and manufactured by the ordnance factories board at its various factories the insas assault rifle was the standard infantry weapon of the indian

insas rifle wikipedia - Oct 21 2023

web the insas or indian small arms system is a family of infantry arms consisting of an assault rifle and a light machine gun lmg these weapons were developed in india by the armament research and development establishment and manufactured by the ordnance factories board at its various factories the insas assault rifle was the standard

5 56 mm insas rifle basic data for ncc a b c exam mission - Sep 08 2022

web feb 10 2023 the insas assault rifle was the standard infantry weapon of the indian armed forces for almost three decades 5 56 mm insas rifle data a calibre 5 56 mm b length of rifle without bayonet 960 mm c length of rifle with bayonet 1110 mm d length of barrel 464 mm e weight i fixed butt with empty magazine 3 6 kg

[characteristics of 5 56mm insas rif ammunition](#) - Aug 19 2023

web assembling of 5 56mm insas rifle 25 assembling of the rifle is carried out in reverse sequence of stripping as under a assembling of mag b assembling of extractor and firing pin c assembling of hand guard d assembling of piston extension and breach block e to insert piston extension assembly in gas cylinder and bracket

[insas gun wiki fandom](#) - Jun 05 2022

web insas indian small arms system is a family of indian weapons consisting of an assault rifle a light machine gun and a lightweight carbine it is the first indian made assault rifle and has been modified many times since its first introduction in 1990 the assault rifle variant of the insas has been adopted by the indian army as their standard rifle the

early medieval art carolingian ottonian romanesque john - Dec 27 2021

web jul 5 2022 early medieval art carolingian ottonian romanesque john beckwith 8 real time hybrid learning engagement in fresno california

[early medieval art carolingian ottonian romanesque google](#) - May 12 2023

web the ottonian period perhaps best known for the great center of art and craftsmanship attached to the court presented an artistic style which had developed from early christian and

carolingian and ottonian medieval europe khan academy - Dec 07 2022

web unit 1 beginner s guide to medieval europe unit 2 judaism and christianity in art unit 3 books and the dissemination of knowledge in medieval europe unit 4 early christian unit 5 byzantine unit 6 early medieval unit 7 carolingian and ottonian unit 8 viking age

early medieval art carolingian ottonian and romanesque by - Aug 03 2022

web early medieval art carolingian ottonian romanesque world of art by john beckwith and a great selection of related books art and collectibles available now at abebooks co uk

early medieval art carolingian ottonian romanesque - Feb 26 2022

web buy early medieval art carolingian ottonian romanesque paperback book by john beckwith from as low as 4 39

[11 early medieval carolingian and ottonian art](#) - Aug 15 2023

web nov 24 2020 investigate and apply the fundamental questions we ask when looking at art objects from this era discuss collaborate and generate understanding as to the meaning of early medieval art assess and evaluate the impact of early medieval art on the continued evolution of western art

early medieval art carolingian ottonian romanesque - Jul 02 2022

web dec 2 2022 book early medieval art carolingian ottonian romanesque john gordon beckwith published in 1985 1969 in new york ny by thames and hudson

early medieval art carolingian ottonian romanesque open - Jul 14 2023

web early medieval art carolingian ottonian romanesque by j beckwith 1964 thames and hudson edition in english

early medieval art carolingian ottonian romanesque world of art - Jan 28 2022

web architecture characteristics ottonian art history characteristics amp style video early medieval art art f261x world history of art i early medieval art early medieval art carolingian ottonian romanesque ottonian art definition paintings sculptures artists

ottonian art wikipedia - Jan 08 2023

web a re assessment of the place of reichenau in ottonian art by c r dodwell d h turner the burlington magazine vol 109 no 767 feb 1967 pp 98 100 jstor beckwith john early medieval art carolingian ottonian romanesque thames hudson 1964 rev 1969 isbn 050020019x

11 early medieval carolingian and ottonian art - Sep 04 2022

web sep 19 2019 11 3 early medieval art 11 4 fibulae 11 5 sutton hoo ship burial 11 6 medieval manuscripts 11 7 the bestiary 11 8 the lindisfarne gospels 11 9 carolingian art

early medieval art carolingian ottonian romanesque - Apr 11 2023

web early medieval art carolingian ottonian romanesque 5 reviews author john beckwith summary beginning with the coronation of charlemagne as emperor of the west in a d 800 john beckwith guides us through the architecture painting sculpture illuminations and ivories of the three great periods of early medieval art

western architecture ottonian romanesque gothic britannica - Jun 01 2022

web ottonian art was shaped by the carolingian tradition by early christian art and because otto iii s mother theophano was a byzantine princess by contemporary byzantine art it was architecture especially that followed early christian and specifically roman examples while at the same time remaining true to the carolingian style in the

carolingian art an introduction article khan academy - Feb 09 2023

web carolingian miniscule was the most widely used script in europe for about 400 years figurative art from this period is easy to recognize unlike the flat two dimensional work of early christian and early byzantine artists carolingian artists sought to

early medieval art carolingian ottonian romanesque world of art - Oct 05 2022

web jan 1 1985 paperback 5 57 other used from 1 59 beginning with the coronation of charlemagne as emperor of the west in a d 800 john beckwith guides us through the architecture painting sculpture illuminations and ivories of

3 early medieval carolingian and ottonian art - Mar 10 2023

web nov 24 2020 3 11 st michael s church 3 12 external resources thumbnail otto ii by the gregory master public domain

master of the registrum gregorii via wikipedia 3 early medieval carolingian and ottonian art is shared under a not declared license and was authored remixed and or curated by libretxts

carolingian art wikipedia - Jun 13 2023

web the carolingian era is part of the period in medieval art sometimes called the pre romanesque after a rather chaotic interval following the carolingian period the new ottonian dynasty revived imperial art from about 950 building on and further developing carolingian style in ottonian art

ottonian art art and visual culture prehistory to renaissance - Apr 30 2022

web ottonian art reflects the ottonians desire to confirm a holy roman imperial lineage connecting them with the roman emperors and their carolingian predecessors it fuses traditions and influences from late roman byzantine and carolingian art early medieval art carolingian ottonian romanesque world of art - Mar 30 2022

web medieval art cleveland museum of art early medieval period ottonian art a glimpse early medieval art the early middle ages boundless art history early medieval art art f261x world history of art i the carolingian and ottonian periods ancestry early medieval art carolingian ottonian romanesque by

carolingian art essay the metropolitan museum of art - Nov 06 2022

web the distinctive character of carolingian art was forged in the age of charlemagne but it lasted for a century after he died and his empire was split among his sons in later carolingian work an energized agitated line appears in book painting for example in the famous utrecht psalter now in the university library at utrecht

junqueira s basic histology text and atlas sixteenth edition - Apr 01 2023

web may 24 2021 this user friendly text and atlas combination is filled with clear explanations art and micrographs to elucidate key concepts and facilitate learning doody s core titles for 2023 for more than four decades this trusted classic has been considered the hands down best overview of human tissue structure and function

histology its methods of study junqueira s basic histology text - Oct 27 2022

web read chapter 1 of junqueira s basic histology text and atlas 15e online now exclusively on accessmedicine accessmedicine is a subscription based resource from mcgraw hill that features trusted medical content from the best minds in medicine

junqueira s basic histology text and atlas fifteenth edition - Jan 30 2023

web this trusted classic delivers a well organized and concise presentation of cell biology and histology that integrates the material with that of biochemistry immunology endocrinology and physiology and provides an excellent foundation for subsequent studies in pathology

junqueira s basic histology text and atlas sixteenth edition - Sep 06 2023

web may 24 2021 accessible yet comprehensive junqueira s basic histology provides everything you need to know about cell biology and histology integrating the material with that of biochemistry

[junqueira s basic histology text and atlas 16th edition](#) - Jul 24 2022

web junqueira s basic histology text and atlas 16th edition anthony l mescher 5 0 5 0 0 comments this user friendly text and atlas combination is filled with clear explanations art and micrographs to elucidate key concepts and

junqueira s basic histology text and atlas 17th edition - Jul 04 2023

web anthony l mescher eds junqueira s basic histology text and atlas 17th edition mcgraw hill 2024 accessed november 07 2023 accessmedicine mhmedical com content.aspx bookid 3390 sectionid 281539239 apa citation mescher al mescher a l ed ed anthony l mescher 2024

[junqueira s basic histology text and atlas goodreads](#) - Dec 29 2022

web nov 1 2009 the text that has defined histology for generations concise clear beautifully illustrated and better than ever a doody s core title for 2019 for more than four decades junqueira s basic histology has built a global reputation as the most accessible yet comprehensive overview of human tissue structure and function available this trusted

junqueira s basic histology text and atlas sixteenth edition - Mar 20 2022

web histology jun 15 2023 this user friendly text and atlas combination is filled with clear explanations art and micrographs to elucidate key concepts and facilitate learning doody s core titles for 2023 for more than four decades this trusted classic has been considered the hands down best overview of human tissue structure and function

[junqueira s basic histology text and atlas 16th edition](#) - Aug 05 2023

web accessible yet comprehensive junqueira s basic histology provides everything you need to know about cell biology and histology integrating the material with that of biochemistry immunology endocrinology and physiology it provides an excellent foundation for subsequent studies in pathology

junqueira s basic histology text and atlas thirteenth edition - Sep 25 2022

web feb 22 2013 junqueira s basic histology text and atlas thirteenth edition text and atlas thirteenth edition author anthony mescher edition 13 publisher mcgraw hill professional 2013 isbn 0071807209 9780071807203 length 480 pages subjects

junqueira s basic histology text and atlas free download - Feb 16 2022

web internet archive language english xi 467 pages 28 cm updated to reflect the latest research in the field and enhanced with more than 1 000 illustrations most in full color the 12th edition is the most comprehensive and modern approach to understanding medical histology available anywhere

[junqueira s basic histology text and atlas fifteenth edition](#) - Jun 03 2023

web aug 9 2018 the text that has defined histology for generations concise clear beautifully illustrated and better than ever

a doody s core title for 2019 for more than four decades junqueira s

junqueira s basic histology text and atlas 13th ed - Aug 25 2022

web may 31 2015 junqueira s basic histology text and atlas 13th ed free download borrow and streaming internet archive

basic histology text atlas google books - Feb 28 2023

web recognized as the leading medical histology text in the world basic histology text atlas offers the most comprehensive approach to the relationship between tissue structure and function and the physiologic response in the human body

junqueira s basic histology text and atlas 16th edition - May 02 2023

web this user friendly text and atlas combination is filled with clear explanations art and micrographs to elucidate key concepts and facilitate learning for more than four decades this trusted classic has been considered the hands down best overview of human tissue structure and function

junqueira s basic histology text atlas 14th ed researchgate - Jun 22 2022

web junqueira s basic histology text atlas 14th ed authors anthony l mescher indiana university bloomington abstract this new edition of the best selling english edition of junqueira s basic

junqueira s basic histology text and atlas 12th ed pdf - May 22 2022

web junqueira s basic histology text and atlas 12th ed pdf google drive

junqueira s basic histology 16th edition 2021 researchgate - Oct 07 2023

web with the best art program of any histology textbook and the most comprehensive presentation of light and electron micrographs to illustrate all cells and tissues of the human body

junqueira s basic histology text and atlas 16th edition pdf - Apr 20 2022

web read download pdf junqueira s basic histology text and atlas 16th edition by anthony l mescher update the latest version with high quality try now

junqueira s basic histology text and atlas fourteenth edition - Nov 27 2022

web nov 2 2015 junqueira s basic histology text and atlas fourteenth edition anthony mescher mcgraw hill education nov 2 2015 medical 1136 pages the most authoritative current and beautifully illustrated histology text available new chapter ending multiple choice questions review must know material