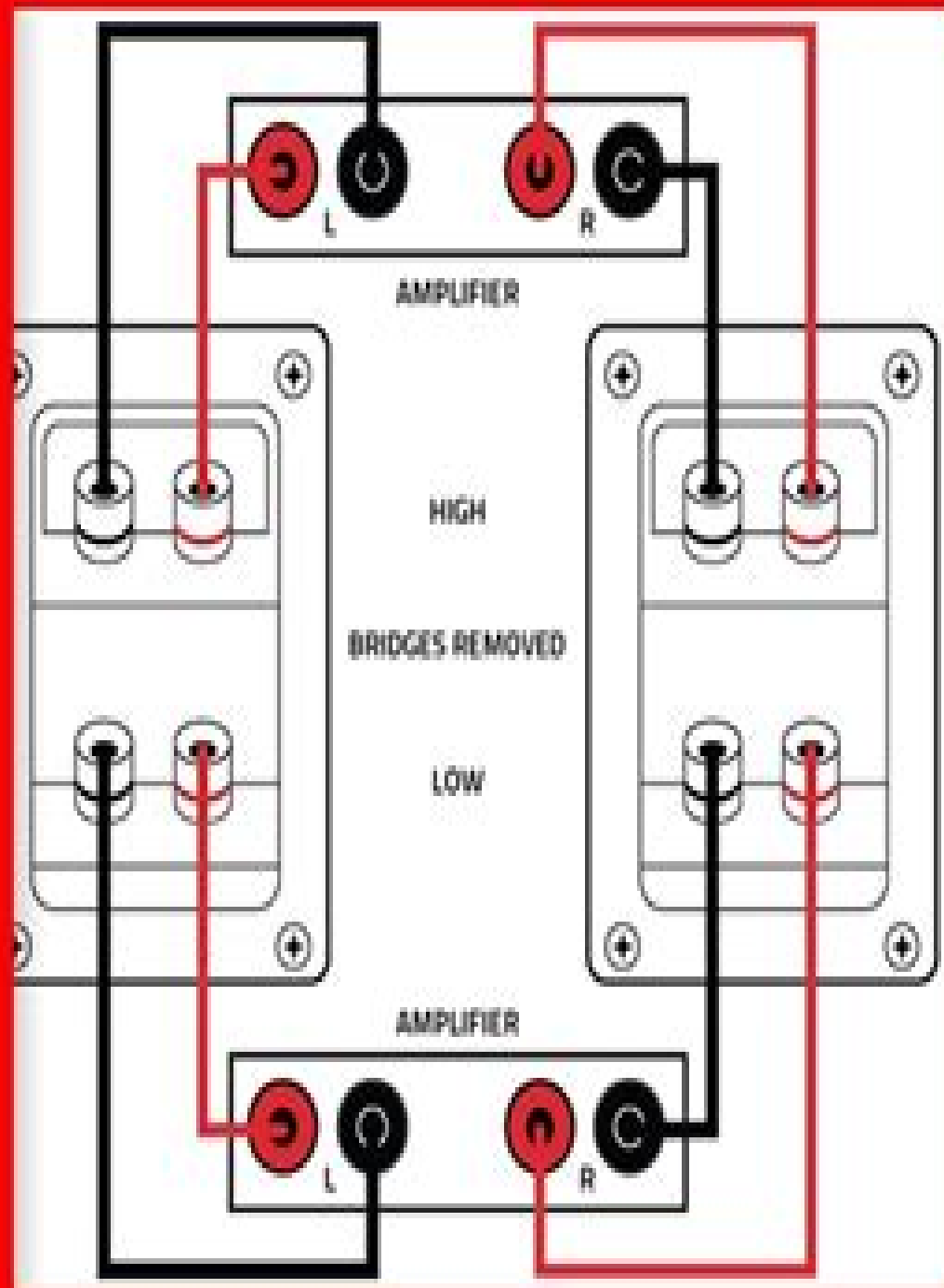


HOW TO BI-AMP & BI-WIRE SPEAKERS



How To Bi Amp

M Woodhall



How To Bi Amp:

Stuff! Good Bass Players Should Know Glenn Letsch,2008 Provides instruction and tips on performing recording equipment theory and techniques of playing the bass guitar **Metamorphic Facies Map of Southeastern Alaska** Cynthia Dusel-Bacon,David A. Brew,Susan L. Douglass,1996 See journals under US Geological survey Prof paper 1497 D

Home Theater Hacks Brett McLaughlin,2004-11-22 100 industrial strength tips tools Cover **Concert Sound and Lighting Systems** John Vasey,1999-10-04 Concert Sound and Lighting Systems provides comprehensive coverage of equipment and setup procedures for touring concert systems The new edition will cover the new equipment now available and discuss other venues where the skills and technology are being used This new edition incorporates the continuing developments in concert sound and lighting systems maintaining the premise that the reader has had no previous experience The practical how to illustrations teach the reader about the equipment and this thoroughly updated edition will include new equipment such as radio microphones in ear monitoring digital audio products and digital lighting products The author also discusses new venues outside the traditional concert touring environment and applies the skills and technology to such diverse events as product launches theatrical arena spectaculars and outdoor stadium productions In addition to an introductory section on touring concerts there are sections on sound systems and lighting systems and an explanation of how all the parts fit together to create a professional safe efficient show *Distribution, Facies, Ages, and Proposed Tectonic Associations of Regionally Metamorphosed Rocks in East- and South-central Alaska* ,1993 *U.S. Geological Survey Professional Paper* ,1984 **Practical Recording Techniques** Bruce Bartlett,2013-05-20 Hands on practical guide covering all aspects of recording ideal for beginning and intermediate recording engineers producers musicians and audio enthusiasts Filled with tips and shortcuts this book offers advice on equipping a home studio both low budget and advanced suggestions for set up acoustics choosing monitor speakers and preventing hum This best selling guide also tells how to judge recordings and improve them to produce maximum results New material covered in the 5th edition to include complete revision and update of digital media sections new section on mixing tips new section on podcasts and file sharing new section equipment and connector levels new section function and connector types new section on digital metering new section exporting projects from other studios new photos The Peavey Revolution Ken Achard,2005 Book Known for his plain speaking style and hard driving business ways Mississippi native Hartley Peavey pursued a dream that started in his teen years and developed into a musical instrument dynasty Peavey s vision was to build top quality instruments that plain folk like him could afford and through his ambition creativity and hard work he created one of the leading companies in the music and sound industries The Peavey Revolution tells the story of 40 years of persistence passion and personal travail often in Hartley s own colorful words **The Sound System Design Primer** Josh Loar,2019-02-21 The Sound System Design Primer is an introduction to the many topics technologies and sub disciplines that make up contemporary sound systems

design Written in clear conversational language for those who do not have an engineering background or who think more in language than in numbers The Sound System Design Primer provides a solid foundation in this expanding discipline for students early mid career system designers creative and content designers seeking a better grasp on the technical side of things and non sound professionals who want or need to be able to speak intelligently with sound system designers *The Bass Handbook* Adrian Ashton,2006-06 This indispensable handbook helps players of all levels produce better more creative and more varied bass lines Divided into two sections Playing Your Bass and Knowing Your Bass it covers everything from tuning reading music scales and chords and advanced techniques to tips on buying and upgrading a budget bass and troubleshooting Along with a list of suggested listening and reference guide this book provides an unrivalled digest of bass information that might otherwise take an entire career to amass It begins with a Basics section that assumes nothing about your ability Scales and Chords shows you how to add other notes to your bass lines and includes exercises to extend musical knowledge and train your ear It develops your understanding of the links between chords and scales helping you to play from a chord chart or to improvise when required Most of the ideas and techniques can be achieved without reading music at all although the information is there for those who can The Reading music section develops an intuitive approach using pattern recognition rather than the usual mechanical counting method and introduces a skill that may eventually become important to your professional career Advanced techniques includes harmonics and fretless bass

Recognizing the way ways to acquire this ebook **How To Bi Amp** is additionally useful. You have remained in right site to begin getting this info. get the How To Bi Amp connect that we present here and check out the link.

You could buy guide How To Bi Amp or acquire it as soon as feasible. You could quickly download this How To Bi Amp after getting deal. So, bearing in mind you require the ebook swiftly, you can straight get it. Its fittingly totally easy and hence fats, isnt it? You have to favor to in this spread

https://staging.conocer.cide.edu/public/browse/Download_PDFS/hp%20designjet%20500%20plus%20user%20manual.pdf

Table of Contents How To Bi Amp

1. Understanding the eBook How To Bi Amp
 - The Rise of Digital Reading How To Bi Amp
 - Advantages of eBooks Over Traditional Books
2. Identifying How To Bi Amp
 - Exploring Different Genres
 - Considering Fiction vs. Non-Fiction
 - Determining Your Reading Goals
3. Choosing the Right eBook Platform
 - Popular eBook Platforms
 - Features to Look for in an How To Bi Amp
 - User-Friendly Interface
4. Exploring eBook Recommendations from How To Bi Amp
 - Personalized Recommendations
 - How To Bi Amp User Reviews and Ratings
 - How To Bi Amp and Bestseller Lists
5. Accessing How To Bi Amp Free and Paid eBooks
 - How To Bi Amp Public Domain eBooks

- How To Bi Amp eBook Subscription Services
- How To Bi Amp Budget-Friendly Options
- 6. Navigating How To Bi Amp eBook Formats
 - ePub, PDF, MOBI, and More
 - How To Bi Amp Compatibility with Devices
 - How To Bi Amp Enhanced eBook Features
- 7. Enhancing Your Reading Experience
 - Adjustable Fonts and Text Sizes of How To Bi Amp
 - Highlighting and Note-Taking How To Bi Amp
 - Interactive Elements How To Bi Amp
- 8. Staying Engaged with How To Bi Amp
 - Joining Online Reading Communities
 - Participating in Virtual Book Clubs
 - Following Authors and Publishers How To Bi Amp
- 9. Balancing eBooks and Physical Books How To Bi Amp
 - Benefits of a Digital Library
 - Creating a Diverse Reading Collection How To Bi Amp
- 10. Overcoming Reading Challenges
 - Dealing with Digital Eye Strain
 - Minimizing Distractions
 - Managing Screen Time
- 11. Cultivating a Reading Routine How To Bi Amp
 - Setting Reading Goals How To Bi Amp
 - Carving Out Dedicated Reading Time
- 12. Sourcing Reliable Information of How To Bi Amp
 - Fact-Checking eBook Content of How To Bi Amp
 - Distinguishing Credible Sources
- 13. Promoting Lifelong Learning
 - Utilizing eBooks for Skill Development
 - Exploring Educational eBooks

14. Embracing eBook Trends

- Integration of Multimedia Elements
- Interactive and Gamified eBooks

How To Bi Amp Introduction

Free PDF Books and Manuals for Download: Unlocking Knowledge at Your Fingertips In today's fast-paced digital age, obtaining valuable knowledge has become easier than ever. Thanks to the internet, a vast array of books and manuals are now available for free download in PDF format. Whether you are a student, professional, or simply an avid reader, this treasure trove of downloadable resources offers a wealth of information, conveniently accessible anytime, anywhere. The advent of online libraries and platforms dedicated to sharing knowledge has revolutionized the way we consume information. No longer confined to physical libraries or bookstores, readers can now access an extensive collection of digital books and manuals with just a few clicks. These resources, available in PDF, Microsoft Word, and PowerPoint formats, cater to a wide range of interests, including literature, technology, science, history, and much more. One notable platform where you can explore and download free How To Bi Amp PDF books and manuals is the internet's largest free library. Hosted online, this catalog compiles a vast assortment of documents, making it a veritable goldmine of knowledge. With its easy-to-use website interface and customizable PDF generator, this platform offers a user-friendly experience, allowing individuals to effortlessly navigate and access the information they seek. The availability of free PDF books and manuals on this platform demonstrates its commitment to democratizing education and empowering individuals with the tools needed to succeed in their chosen fields. It allows anyone, regardless of their background or financial limitations, to expand their horizons and gain insights from experts in various disciplines. One of the most significant advantages of downloading PDF books and manuals lies in their portability. Unlike physical copies, digital books can be stored and carried on a single device, such as a tablet or smartphone, saving valuable space and weight. This convenience makes it possible for readers to have their entire library at their fingertips, whether they are commuting, traveling, or simply enjoying a lazy afternoon at home. Additionally, digital files are easily searchable, enabling readers to locate specific information within seconds. With a few keystrokes, users can search for keywords, topics, or phrases, making research and finding relevant information a breeze. This efficiency saves time and effort, streamlining the learning process and allowing individuals to focus on extracting the information they need. Furthermore, the availability of free PDF books and manuals fosters a culture of continuous learning. By removing financial barriers, more people can access educational resources and pursue lifelong learning, contributing to personal growth and professional development. This democratization of knowledge promotes intellectual curiosity and empowers individuals to become lifelong learners, promoting progress and innovation in various fields. It is worth noting that while accessing free

How To Bi Amp PDF books and manuals is convenient and cost-effective, it is vital to respect copyright laws and intellectual property rights. Platforms offering free downloads often operate within legal boundaries, ensuring that the materials they provide are either in the public domain or authorized for distribution. By adhering to copyright laws, users can enjoy the benefits of free access to knowledge while supporting the authors and publishers who make these resources available. In conclusion, the availability of How To Bi Amp free PDF books and manuals for download has revolutionized the way we access and consume knowledge. With just a few clicks, individuals can explore a vast collection of resources across different disciplines, all free of charge. This accessibility empowers individuals to become lifelong learners, contributing to personal growth, professional development, and the advancement of society as a whole. So why not unlock a world of knowledge today? Start exploring the vast sea of free PDF books and manuals waiting to be discovered right at your fingertips.

FAQs About How To Bi Amp Books

How do I know which eBook platform is the best for me? Finding the best eBook platform depends on your reading preferences and device compatibility. Research different platforms, read user reviews, and explore their features before making a choice. Are free eBooks of good quality? Yes, many reputable platforms offer high-quality free eBooks, including classics and public domain works. However, make sure to verify the source to ensure the eBook credibility. Can I read eBooks without an eReader? Absolutely! Most eBook platforms offer web-based readers or mobile apps that allow you to read eBooks on your computer, tablet, or smartphone. How do I avoid digital eye strain while reading eBooks? To prevent digital eye strain, take regular breaks, adjust the font size and background color, and ensure proper lighting while reading eBooks. What the advantage of interactive eBooks? Interactive eBooks incorporate multimedia elements, quizzes, and activities, enhancing the reader engagement and providing a more immersive learning experience. How To Bi Amp is one of the best book in our library for free trial. We provide copy of How To Bi Amp in digital format, so the resources that you find are reliable. There are also many Ebooks of related with How To Bi Amp. Where to download How To Bi Amp online for free? Are you looking for How To Bi Amp PDF? This is definitely going to save you time and cash in something you should think about.

Find How To Bi Amp :

hp designjet 500 plus user manual

~~hp 800ps printers accessory owners manual~~

hp d1530 printers accessory owners manual

hp 6910p user guide

hp deskjet 3070a user guide

[hp 6540d printers owners manual](#)

~~[hp color laserjet cp3505dn printer manual](#)~~

hp c751 laptops owners manual

hp 845c printers owners manual

hp a4313 desktops owners manual

hp dv2007 laptops owners manual

hp color laserjet 5 5m printer user guide owner manual

hp 3200 laserjet manual

~~[hp 510 notebook service and repair guide](#)~~

hp 3120 desktops owners manual

How To Bi Amp :

differential diagnosis of internal diseases sciencedirect - Mar 29 2022

web description differential diagnosis of internal diseases third edition covers the diagnosis of numerous internal diseases based on symptoms and signs this edition is organized by symptoms and signs that may be individually different even in the same disease and must be analyzed and understood on a pathophysiological basis within the

differential diagnosis in internal medicine google books - Jan 07 2023

web jan 1 2011 siegenthaler s new differential diagnosis in internal medicine guides the reader through the challenges of differential diagnosis across the spectrum of internal

differential diagnosis of internal diseases internal medicine - Feb 25 2022

web jul 14 2016 category internal medicine diseases differential diagnosis of internal diseases springer 2020 1169 p isbn 978 981 13 7677 1 the book covers basic theories basic knowledge and basic skills on clinical diagnosis basic requirements for doctors ethical conduct clinical reasoning and documentation of medical records

diagnosis in bytes comparing the diagnostic accuracy of - Oct 24 2021

web nov 12 2023 objective adopting digital technologies as diagnostic support tools in medicine is unquestionable however the accuracy in suggesting diagnoses remains controversial and underexplored we aimed to evaluate and compare the diagnostic accuracy of two primary and accessible internet search tools google and chatgpt 3 5

differential diagnosis in internal medicine google books - Feb 08 2023

web mar 21 2007 differential diagnosis in internal medicine from symptom to diagnosis walter siegenthaler thieme mar 21 2007 medical 1140 pages a pragmatic approach to differential diagnosis gives
differential diagnosis in internal medicine 9783131421418 - Jul 01 2022

web siegenthaler s new differential diagnosis in internal medicine guides the reader through the challenges of differential diagnosis across the spectrum of internal medicine practice orientated learning identify and understand key symptoms consider the whole patient in selecting possible diseases evaluate exclude or confirm possible diagnoses
approach to differential diagnosis the saint chopra guide to - Oct 04 2022

web nov 1 2018 generate a list of potential causes a differential diagnosis for each problem an underlying etiology that links the various problems may become apparent some problems have only a few potential causes whereas others have many
siegenthaler s differential diagnosis medone thieme - Mar 09 2023

web what causes them what are the typical characteristics of these disorders do they correspond with the symptoms in question how can the preliminary diagnosis be confirmed siegenthaler s new differential diagnosis in internal medicine guides the reader through the challenges of differential diagnosis across the spectrum of internal
differential diagnosis jama internal medicine jama network - Aug 22 2021

web the quality of the diagnostic effort in medicine is the chief determinant of the accuracy and precision of all differential diagnosis arch intern med 1973 132 2 296 297 doi 10 1001 archinte best of jama network 2022 others also liked x jama internal medicine content home new online current issue podcast jama internal medicine
differential diagnosis in internal medicine free download - Jan 27 2022

web diagnosis differential physical diagnosis internal medicine internal medicine publisher stuttgart new york thieme collection inlibrary printdisabled internetarchivebooks contributor internet archive language english
sclerosing angiomatoid nodular transformation of the spleen - Nov 24 2021

web apr 6 2023 objective the purpose of this study was to evaluate the ct and mri findings clinicopathologic features and differential diagnosis of sclerosing angiomatoid nodular transformation sant methods and materials seven men and seven women with pathological diagnoses of sant were included in this retrospect study patients
diagnosis and treatment in internal medicine oxford academic - Aug 02 2022

web aug 1 2018 diagnosis and treatment in internal medicine is a new textbook written by experts in their field that provides succinct and authoritative guidance across the breadth of internal medicine diagnosis is the bedrock of management and so how to reach a differential diagnosis of symptoms or presenting problems is a major element of the
differential diagnosis in internal medicine from symptom to diagnosis - Sep 03 2022

web nov 7 2007 this work focuses on computing the probability of occurrence of a particular ailment from the medical data

by mining it using a unique algorithm which increases accuracy of such diagnosis by combining neural networks bayesian classification and differential diagnosis all integrated into one single approach pdf

differential diagnosis in internal medicine google books - Sep 22 2021

web siegenthaler s new differential diagnosis in internal medicine guides the reader through the challenges of differential diagnosis across the spectrum of internal medicine

differential diagnosis in internal medicine thieme - Nov 05 2022

web differential diagnostic evaluation of common laboratory test results including step by step plans for further diagnosis learn by tracing the path from symptom to diagnosis just as the physician encounters the situation in practice easy to use uses a practical approach to internal medicine

differential diagnosis in internal medicine from symptom to diagnosis - Sep 15 2023

web nov 7 2007 walter siegenthaler s differential diagnosis in internal medicine from symptom to diagnosis is an easy to use unpretentious reference that aspires to be both comprehensive and simple

clinical value of cyclin d1 and p21 in the differential diagnosis of - Dec 26 2021

web nov 11 2023 background with the continuous discovery of new borderline thyroid lesions and benign and malignant gray areas coupled with the limitations of traditional immune indicators the differential diagnosis of papillary thyroid carcinoma ptc has become more difficult cyclin d1 and p21 are cell cycle regulators involved in the occurrence and

siegenthaler differential diagnosis in internal medicine - Jun 12 2023

web 1 3 general differential diagnosis 1 general aspects of diagnosis and differential diagnosis 2 m battegay b martina and e battegay 1 1 elements of the differential diagnosis 4 disease and differential diagnosis 4

differential diagnosis in internal medicine from symptom to diagnosis - Apr 10 2023

web nov 7 2007 walter siegenthaler s differential diagnosis in internal medicine from symptom to diagnosis is an easy to use unpretentious reference that aspires to be both comprehensive and simple

differential diagnosis in internal medicine from sympt - Apr 29 2022

web siegenthaler s new differential diagnosis in internal medicine guides the reader through the challenges of differential diagnosis across the spectrum of internal medicine practice orientated professor walter siegenthaler brings decades of international experience in clinical practice teaching and writing on internal medicine to this new book

siegenthaler differential diagnosis in internal medicine - Dec 06 2022

web siegenthaler differential diagnosis in internal medicine isbn9783131421418 2007 georg thieme verlag index notes please note that entries in bold and italics represent

differential diagnosis in internal medicine from pdf - Oct 16 2023

web this book encompasses differential diagnosis across the spectrum of internal medicine covering dermatology neurology and rheumatology and provides the very latest knowledge including pathophysiological aspects in contrast to encyclopedically structured textbooks this book traces the path from symptom to diagnosis just as the [differential diagnosis in internal medicine google books](#) - May 11 2023

web organized by functional system and symptom constellations covers all fields of internal *differential diagnosis in internal medicine from symptom to diagnosis* - Jul 13 2023

web jan 1 2007 differential diagnosis in internal medicine from symptom to diagnosis siegenthaler walter m d aeschlimann a baechli e bassetti c battegay e on amazon com free shipping on qualifying offers

differential diagnosis in internal medicine usmf - Aug 14 2023

web the textbook differential diagnosis in internal medicine is intended for the sixth year medical students and represents a comprehensive view over the main syndromes in internal medicine

differential diagnosis of common presentations oxford academic - May 31 2022

web jan 1 2019 this chapter explores the differential diagnosis of common presentations including abdominal pain and distension back pain blackouts and collapse breathlessness and dyspnoea chest pain confusion constipation cough cutaneous manifestations of internal malignancy diarrhoea dysphagia falls fever fits and seizures

nokia photo frame effect pixiz - Dec 07 2022

web photo frame effect background shape drawn shape

nokia wallpapers free by zedge - Jul 02 2022

web download zedge app to view this premium item nokia 8 original gradient lg nokia peacock classic gradient 2021 5800 download zedge app to view this premium item nokia keypad

nokia mobile photo frame svgz pdf mail4 bec systems - Jan 28 2022

web this online statement nokia mobile photo frame svgz can be one of the options to accompany you considering having further time it will not waste your time take me the e book will entirely manner you extra thing to read

nokia mobile phone scene photo frame effect pixiz - Apr 11 2023

web nokia mobile phone scene 1184 550 x 596 select the picture autocrop go photo frame effects suggestions animated happy birthday frame 1 picture you will receive the new photo frame effects each week friends websites gif maker animated gif images quiz text effects generator text and logo effects gallery word art

how to take motion picture in nokia 8 3 make picture move - Dec 27 2021

web feb 10 2021 learn more info about nokia 8 3 5g hardreset info devices nokia nokia 83 5g are you wondering how to make live photo in your nokia 8 3 which is

nokia mobile photo frame effect pixiz - Jul 14 2023

web photo frame effect background shape drawn shape

[nokia mobile photo frame svgz fabio nelli](#) - Apr 30 2022

web enough money nokia mobile photo frame svgz and numerous ebook collections from fictions to scientific research in any way in the course of them is this nokia mobile photo frame svgz that can be your partner professional mobile web development with wordpress joomla and drupal james pearce 2011 03 16 how to develop powerful

nokia mobile photo frame svgz visachance pickvisa com - Mar 30 2022

web aug 3 2023 title nokia mobile photo frame svgz author visachance pickvisa com 2023 08 03 13 07 26 subject nokia mobile photo frame svgz keywords nokia mobile photo frame svgz

nokia wallpapers wallpaper cave - Jun 01 2022

web tons of awesome nokia wallpapers to download for free you can also upload and share your favorite nokia wallpapers hd wallpapers and background images

[2 608 nokia mobile images stock photos vectors shutterstock](#) - Nov 06 2022

web jun 24 2022 find nokia mobile stock images in hd and millions of other royalty free stock photos illustrations and vectors in the shutterstock collection thousands of new high quality pictures added every day

nokia phone vector art icons and graphics for free download - Jan 08 2023

web browse 252 incredible nokia phone vectors icons clipart graphics and backgrounds for royalty free download from the creative contributors at vecteezy vecteezy logo photos expand photos navigation

nokia vector logo vector art graphics freevector com - Sep 04 2022

web download free nokia vector logo vectors and other types of nokia vector logo graphics and clipart at freevector com

nokia mobile photo frame svgz copy - Aug 03 2022

web useful you have remained in right site to begin getting this info get the nokia mobile photo frame svgz partner that we give here and check out the link you could purchase lead nokia mobile photo frame svgz or get it as soon as feasible you could quickly download this nokia mobile photo frame svgz after getting deal so taking into account you

nokia photo frame effect pixiz - Oct 05 2022

web create your own photo frame effect nokia on pixiz

nokia photo frame effects p 1 2 pixiz - May 12 2023

web mobile phone smartphone nokia scene 1 picture nokia mobile scene

nokia mobile scene photo frame effect pixiz - Feb 09 2023

web 2 pictures 2 frames heaven animated gif suit garden billboard birthday golden frame 2 pictures collage 3 pictures frame

1 picture india flag 4 pictures grand theft auto new year astronaut rip love blurred background good morning
[gsm nokia photo frame effect pixiz](#) - Mar 10 2023

web nokia mobile phone scene 1 picture cadre main avec gsm 1 photo 1 picture created by godart cadre tableau de fonction du gsm et texte perso you will receive the new photo frame effects each week friends websites gif maker animated gif images quiz text effects generator text and logo effects gallery word art

nokia mobile clipart frames com free download suggestions - Feb 26 2022

web users interested in nokia mobile clipart frames com generally download photo frame genius 2 3 embellishes your photos by adding frames to them as well as clip arts or masks

mobile frame images free download on freepik - Jun 13 2023

web you can find download the most popular mobile frame vectors on freepik there are more than 94 000 vectors stock photos psd files remember that these high quality images are free for commercial use

nokia phone images free download on freepik - Aug 15 2023

web you can find download the most popular nokia phone vectors on freepik there are more than 87 000 vectors stock photos psd files remember that these high quality images are free for commercial use

fire fighter 1 practice exam example fire fighting test - Aug 15 2023

web this is a sample of a fire fighter 1 exam generated from our practice testing application the grading and answer functionality are not active on this sample it is only to

firefighter practice test tests com - Jan 28 2022

web wisconsin firefighter 1 state written exam pdf below firefighter 1 final test flashcards quizlet web study guide for firefighter 1 final exam terms in this set 81 which type of heat

firefighter written exam resources fire rescue1 - Nov 06 2022

web by the end candidates should be able to take their firefighter 1 certificate exam and have extensive knowledge about the profession many will take this forward onto their careers

wisconsin firefighter 1 state written exam pdf download only - Nov 25 2021

web wisconsin firefighter 1 state written exam 2 6 map index pdf operator pump aerial tiller and mobile water supply second edition meets and exceeds the job performance

fire service certification wtcs - Jun 01 2022

web mar 17 2022 you will be able to pass the firefighter 1 state written exam if you review hazmat history of the fire service basic principles of fire basics of wildland

wisconsin firefighter 1 state written exam - Oct 25 2021

[firefighter exams and practice tests online study guide for](#) - Aug 03 2022

web fire service certification programs those who aspire to become wisconsin fire service certified must satisfy the program requirements which are based on the appropriate

[firefighter 1 state exam northeast wisconsin technical college](#) - Apr 11 2023

web course description 47 503 431 firefighter 1 state practical exam a practical skills evaluation for certification to the ff1 level all students will receive a safety briefing

how to pass the firefighter 1 written exam firehouse heavyweights - Mar 30 2022

web 2023 edition firefighter practice test take this free practice test to see how prepared you are for a firefighter certification exam view answers as you go view 1 question at a

[fire fighter 1 state exam flashcards quizlet](#) - Jul 14 2023

web nfpa 1001 training and performance qualifications for firefighters fire apparatus operator responsible for getting apparatus to scene safely as well as setting up and running the

fire fighter 1 exam flashcards quizlet - Jun 13 2023

web fire fighter 1 exam 4 5 2 reviews nfpa click the card to flip national fire protection association click the card to flip 1 397 flashcards learn test match q chat created

wisconsin certified firefighter 1 milwaukee area - Feb 09 2023

web the firefighter 1 state certification written and practical exams will be at matc south campus you will be required to show a picture id at both the written and practical state

[firefighter i ii exam prep pocket prep](#) - Jan 08 2023

web the firefighter 1 state certification practical exam will be held on friday morning may 23 2013 at matc south campus there is an 80 00 exam fee which must be paid at the

firefighter 1 final test flashcards quizlet - Mar 10 2023

web created by joejoe1983 teacher study guide for firefighter 1 final exam terms in this set 81 which type of heat transfer is a major contributor to flashover a nuclear b

[how to get a firefighter 1 certification in 4 steps indeed](#) - Dec 27 2021

web wisconsin firefighter 1 state written exam firefighter exams and practice tests online study guide june 20th 2018 fire fighter exam preparation and study guide for

[wisconsin fire service education office policy and procedures](#) - Feb 26 2022

web jan 26 2023 establish water supplies oversee salvage operations difference between firefighter 1 and firefighter 2 certifications firefighter 1 and firefighter 2 certifications

firefighter 1 final test 2022 scored 100 study guide for - Apr 30 2022

web this document identifies the prerequisites training examination and certificate issue expiration criteria for upcoming and existing firefighters in the state of wisconsin

fire fighter 1 state exam 2023 stuvia - Oct 05 2022

web firefighter exam preparation and study guide for firefighter 1 2 and civil service tests online practice fire fighting test questions for firefighters testing in all states register

milwaukee area technical college - May 12 2023

web milwaukee area technical college

wisconsin certified firefighter 1 milwaukee area technical college - Dec 07 2022

web mar 23 2023 exam elaborations firefighter 1 final test lpar updated 2023 rpar actual study guide for firefighter 1 final ex period period period 2 exam

how to become a firefighter in wisconsin firefighter now - Sep 04 2022

web wisconsin firefighter certification levels certification process testing process and preparation guides the firefighter certification guide has firefighter i and

wisconsin firefighter 1 state written exam copy yvc moeys gov - Sep 23 2021

wisconsin firefighter requirements and training summary - Jul 02 2022

web may 4 2022 1 exam elaborations firefighter 1 final test 2022 lpar scored 100 percent rpar sol study guide for firefighter 1 final exam