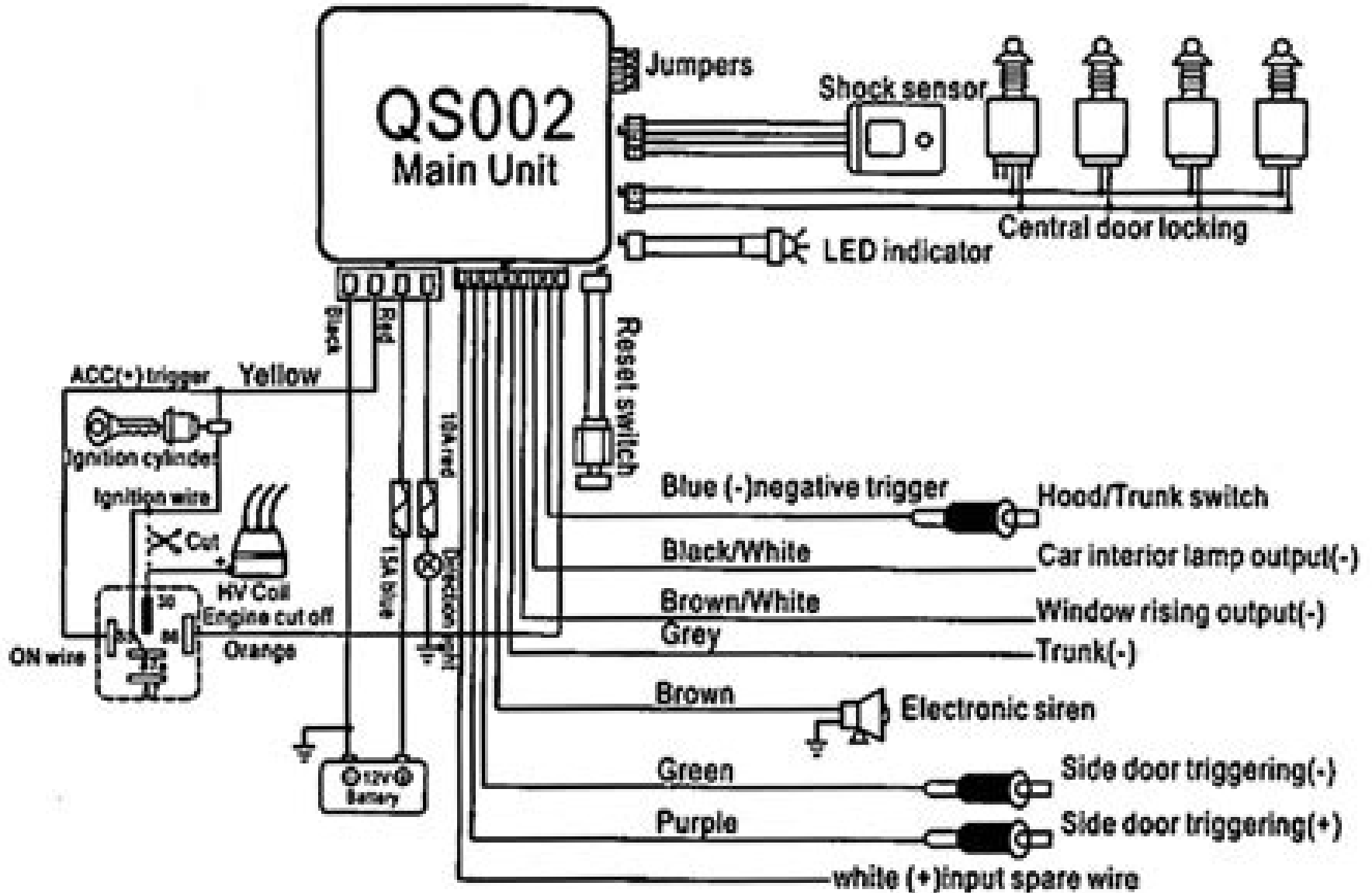


Wiring Diagram



Mirage Auto Alarm System Model M Manual

L Towner



Mirage Auto Alarm System Model M Manual:

Autocar ,2005 Autocar & Motor ,1992-02 Motor Cycling and Motoring ,1986 **Black Enterprise** ,1996-11
BLACK ENTERPRISE is the ultimate source for wealth creation for African American professionals entrepreneurs and corporate executives Every month BLACK ENTERPRISE delivers timely useful information on careers small business and personal finance **The Autocar** ,1988-06 Mergent Industrial Manual ,2002 Indianapolis Monthly ,1997-12
Indianapolis Monthly is the Circle City s essential chronicle and guide an indispensable authority on what s new and what s news Through coverage of politics crime dining style business sports and arts and entertainment each issue offers compelling narrative stories and lively urbane coverage of Indy s cultural landscape Cincinnati Magazine ,1991-10 Cincinnati Magazine taps into the DNA of the city exploring shopping dining living and culture and giving readers a ringside seat on the issues shaping the region **Moody's International Manual** ,1995 Commerce Business Daily ,1998-10 Car and Driver ,1987 Technical Abstract Bulletin ,1981 **Privacy Act Issuances ... Compilation** , Privacy Act Issuances ... Compilation United States. Office of the Federal Register,1984 Contains systems of records maintained on individuals by Federal agencies which were published in the Federal Register and rules of each agency concerning the procedures the agency will use in helping individuals who request information about their records **Railway Age** ,1932 **Backpacker** ,2004-03 Backpacker brings the outdoors straight to the reader s doorstep inspiring and enabling them to go more places and enjoy nature more often The authority on active adventure Backpacker is the world s first GPS enabled magazine and the only magazine whose editors personally test the hiking trails camping gear and survival tips they publish Backpacker s Editors Choice Awards an industry honor recognizing design feature and product innovation has become the gold standard against which all other outdoor industry awards are measured Monthly Catalogue, United States Public Documents ,1990-07 Monthly Catalog of United States Government Publications ,1985 Privacy act issuances, 1984 compilation United States. Office of the Federal register, **Amateur Radio** ,1989

As recognized, adventure as without difficulty as experience more or less lesson, amusement, as without difficulty as union can be gotten by just checking out a ebook **Mirage Auto Alarm System Model M Manual** after that it is not directly done, you could say you will even more approaching this life, on the subject of the world.

We offer you this proper as with ease as easy showing off to get those all. We meet the expense of Mirage Auto Alarm System Model M Manual and numerous ebook collections from fictions to scientific research in any way. in the midst of them is this Mirage Auto Alarm System Model M Manual that can be your partner.

<https://staging.conocer.cide.edu/data/virtual-library/Documents/ford%20airbag%20codes%20vehicle.pdf>

Table of Contents Mirage Auto Alarm System Model M Manual

1. Understanding the eBook Mirage Auto Alarm System Model M Manual
 - The Rise of Digital Reading Mirage Auto Alarm System Model M Manual
 - Advantages of eBooks Over Traditional Books
2. Identifying Mirage Auto Alarm System Model M Manual
 - Exploring Different Genres
 - Considering Fiction vs. Non-Fiction
 - Determining Your Reading Goals
3. Choosing the Right eBook Platform
 - Popular eBook Platforms
 - Features to Look for in an Mirage Auto Alarm System Model M Manual
 - User-Friendly Interface
4. Exploring eBook Recommendations from Mirage Auto Alarm System Model M Manual
 - Personalized Recommendations
 - Mirage Auto Alarm System Model M Manual User Reviews and Ratings
 - Mirage Auto Alarm System Model M Manual and Bestseller Lists
5. Accessing Mirage Auto Alarm System Model M Manual Free and Paid eBooks

- Mirage Auto Alarm System Model M Manual Public Domain eBooks
 - Mirage Auto Alarm System Model M Manual eBook Subscription Services
 - Mirage Auto Alarm System Model M Manual Budget-Friendly Options
6. Navigating Mirage Auto Alarm System Model M Manual eBook Formats
 - ePub, PDF, MOBI, and More
 - Mirage Auto Alarm System Model M Manual Compatibility with Devices
 - Mirage Auto Alarm System Model M Manual Enhanced eBook Features
 7. Enhancing Your Reading Experience
 - Adjustable Fonts and Text Sizes of Mirage Auto Alarm System Model M Manual
 - Highlighting and Note-Taking Mirage Auto Alarm System Model M Manual
 - Interactive Elements Mirage Auto Alarm System Model M Manual
 8. Staying Engaged with Mirage Auto Alarm System Model M Manual
 - Joining Online Reading Communities
 - Participating in Virtual Book Clubs
 - Following Authors and Publishers Mirage Auto Alarm System Model M Manual
 9. Balancing eBooks and Physical Books Mirage Auto Alarm System Model M Manual
 - Benefits of a Digital Library
 - Creating a Diverse Reading Collection Mirage Auto Alarm System Model M Manual
 10. Overcoming Reading Challenges
 - Dealing with Digital Eye Strain
 - Minimizing Distractions
 - Managing Screen Time
 11. Cultivating a Reading Routine Mirage Auto Alarm System Model M Manual
 - Setting Reading Goals Mirage Auto Alarm System Model M Manual
 - Carving Out Dedicated Reading Time
 12. Sourcing Reliable Information of Mirage Auto Alarm System Model M Manual
 - Fact-Checking eBook Content of Mirage Auto Alarm System Model M Manual
 - Distinguishing Credible Sources
 13. Promoting Lifelong Learning
 - Utilizing eBooks for Skill Development

- Exploring Educational eBooks
14. Embracing eBook Trends
- Integration of Multimedia Elements
 - Interactive and Gamified eBooks

Mirage Auto Alarm System Model M Manual Introduction

Free PDF Books and Manuals for Download: Unlocking Knowledge at Your Fingertips In today's fast-paced digital age, obtaining valuable knowledge has become easier than ever. Thanks to the internet, a vast array of books and manuals are now available for free download in PDF format. Whether you are a student, professional, or simply an avid reader, this treasure trove of downloadable resources offers a wealth of information, conveniently accessible anytime, anywhere. The advent of online libraries and platforms dedicated to sharing knowledge has revolutionized the way we consume information. No longer confined to physical libraries or bookstores, readers can now access an extensive collection of digital books and manuals with just a few clicks. These resources, available in PDF, Microsoft Word, and PowerPoint formats, cater to a wide range of interests, including literature, technology, science, history, and much more. One notable platform where you can explore and download free Mirage Auto Alarm System Model M Manual PDF books and manuals is the internet's largest free library. Hosted online, this catalog compiles a vast assortment of documents, making it a veritable goldmine of knowledge. With its easy-to-use website interface and customizable PDF generator, this platform offers a user-friendly experience, allowing individuals to effortlessly navigate and access the information they seek. The availability of free PDF books and manuals on this platform demonstrates its commitment to democratizing education and empowering individuals with the tools needed to succeed in their chosen fields. It allows anyone, regardless of their background or financial limitations, to expand their horizons and gain insights from experts in various disciplines. One of the most significant advantages of downloading PDF books and manuals lies in their portability. Unlike physical copies, digital books can be stored and carried on a single device, such as a tablet or smartphone, saving valuable space and weight. This convenience makes it possible for readers to have their entire library at their fingertips, whether they are commuting, traveling, or simply enjoying a lazy afternoon at home. Additionally, digital files are easily searchable, enabling readers to locate specific information within seconds. With a few keystrokes, users can search for keywords, topics, or phrases, making research and finding relevant information a breeze. This efficiency saves time and effort, streamlining the learning process and allowing individuals to focus on extracting the information they need. Furthermore, the availability of free PDF books and manuals fosters a culture of continuous learning. By removing financial barriers, more people can access educational resources and pursue lifelong learning, contributing to personal growth and professional development. This democratization of knowledge promotes

intellectual curiosity and empowers individuals to become lifelong learners, promoting progress and innovation in various fields. It is worth noting that while accessing free Mirage Auto Alarm System Model M Manual PDF books and manuals is convenient and cost-effective, it is vital to respect copyright laws and intellectual property rights. Platforms offering free downloads often operate within legal boundaries, ensuring that the materials they provide are either in the public domain or authorized for distribution. By adhering to copyright laws, users can enjoy the benefits of free access to knowledge while supporting the authors and publishers who make these resources available. In conclusion, the availability of Mirage Auto Alarm System Model M Manual free PDF books and manuals for download has revolutionized the way we access and consume knowledge. With just a few clicks, individuals can explore a vast collection of resources across different disciplines, all free of charge. This accessibility empowers individuals to become lifelong learners, contributing to personal growth, professional development, and the advancement of society as a whole. So why not unlock a world of knowledge today? Start exploring the vast sea of free PDF books and manuals waiting to be discovered right at your fingertips.

FAQs About Mirage Auto Alarm System Model M Manual Books

What is a Mirage Auto Alarm System Model M Manual PDF? A PDF (Portable Document Format) is a file format developed by Adobe that preserves the layout and formatting of a document, regardless of the software, hardware, or operating system used to view or print it. **How do I create a Mirage Auto Alarm System Model M Manual PDF?** There are several ways to create a PDF: Use software like Adobe Acrobat, Microsoft Word, or Google Docs, which often have built-in PDF creation tools. Print to PDF: Many applications and operating systems have a "Print to PDF" option that allows you to save a document as a PDF file instead of printing it on paper. Online converters: There are various online tools that can convert different file types to PDF. **How do I edit a Mirage Auto Alarm System Model M Manual PDF?** Editing a PDF can be done with software like Adobe Acrobat, which allows direct editing of text, images, and other elements within the PDF. Some free tools, like PDFescape or Smallpdf, also offer basic editing capabilities. **How do I convert a Mirage Auto Alarm System Model M Manual PDF to another file format?** There are multiple ways to convert a PDF to another format: Use online converters like Smallpdf, Zamzar, or Adobe Acrobats export feature to convert PDFs to formats like Word, Excel, JPEG, etc. Software like Adobe Acrobat, Microsoft Word, or other PDF editors may have options to export or save PDFs in different formats. **How do I password-protect a Mirage Auto Alarm System Model M Manual PDF?** Most PDF editing software allows you to add password protection. In Adobe Acrobat, for instance, you can go to "File" -> "Properties" -> "Security" to set a password to restrict access or editing capabilities. Are there any free alternatives to Adobe Acrobat for working with PDFs? Yes, there are many free alternatives for working with PDFs, such as: LibreOffice: Offers PDF editing

features. PDFsam: Allows splitting, merging, and editing PDFs. Foxit Reader: Provides basic PDF viewing and editing capabilities. How do I compress a PDF file? You can use online tools like Smallpdf, ILovePDF, or desktop software like Adobe Acrobat to compress PDF files without significant quality loss. Compression reduces the file size, making it easier to share and download. Can I fill out forms in a PDF file? Yes, most PDF viewers/editors like Adobe Acrobat, Preview (on Mac), or various online tools allow you to fill out forms in PDF files by selecting text fields and entering information. Are there any restrictions when working with PDFs? Some PDFs might have restrictions set by their creator, such as password protection, editing restrictions, or print restrictions. Breaking these restrictions might require specific software or tools, which may or may not be legal depending on the circumstances and local laws.

Find Mirage Auto Alarm System Model M Manual :

ford airbag codes vehicle

[ford econoline repair manual](#)

forces unit test cp spring 2015a

ford 5600 service manual

ford contour wiring diagrams

ford 1520 tractor shop manual

[forbidden pleasures an alpha billionaire romance english edition](#)

[forceful talasite recipe](#)

ford 1969 shopmanual torrent

ford e 150 owners manual

~~ford btr transmission manual~~

ford 2600 service manual

ford 555d backhoe service manual

ford 1900 tractor owners manual

~~ford 555 backhoe service manual~~

Mirage Auto Alarm System Model M Manual :

mcq on hrm human resource planning with answers - May 23 2022

web this multiple choice questions on hrp includes objective type questions on topics like job analysis job description job

specification etc 1 this gives details about the name of the job qualification qualities required and work conditions etc a job analysis b job selection c job specification d job description answer a job analysis 2

human resource management hrm solved mcqs mcqmate - Dec 30 2022

web set 1 human resource management hrm solved mcqs chapters introduction to hrm performance appraisal training and development the e hr wages and salary administration grievance and discipline human resource development human relations trends in human resource management more mcqs take a test set 1 of 11 sets

mcq on human resource development with answers pdf - Aug 06 2023

web aug 8 2021 set 1 mcq on human resource development 1 in what way training and development offers a competitive advantage to an organization a it reduces performance deficiencies b it ensures employee compliance c it increases the supervisor s role d none of the above 2

human resource development hrd mcqs with answers - Oct 08 2023

web human resource development mcqs with answers in this blog post we have listed the important multiple choice questions on human resource development these mcqs on hrd are very important for exams like upsc ssc psc etc more mcqs mcq on higher education mcq on skill development communication with answers human resource

human resource development multiple choice questions with - Jul 25 2022

web aug 27 2023 human resource development multiple choice questions with answers 1 integrative framework of shrm was given by a young and berman b federick taylor c john nadler d none of the above show answer answer a 2 the integrative framework comprises a by building original capabilities b by improving

human resource development hrd mcqs pdf download - Apr 02 2023

web dec 12 2020 our hrd mcqs pdf is your go to companion it s packed with multiple choice questions that cover various facets of human resource development we ve covered you from training and performance management to career development and organizational learning

human resource development mcqs with answers scribd - May 03 2023

web human resource development mcqs with answers 1 in the present business environment hr plays a role in realizing the business goals a strategic b technical c vital d very important ans a 2 true false the major challenge for the hr contribution towards the overall organization performance a false b true c can t say d

human resource development mcq quiz testbook com - Jun 04 2023

web sep 10 2023 latest human resource development mcq objective questions human resource development question 1 according to the hrd score card developed by tvrls india hrd systems maturity score includes a hr information system b potential appraisal and development c job rotation d performance management systems e

[human resource development mcqs with answers pdf](#) - Jul 05 2023

web aug 26 2023 human resource development mcqs with answers 1 in the present business environment hr plays a role in realizing the business goals a strategic b technical c vital d very important show answer answer a 2 true false the major challenge for the hr contribution towards the overall organization performance a false

[human resource development solved mcqs with pdf](#) - Sep 07 2023

web human resource development solved mcqs in human resource management hrm chapters introduction to hrm performance appraisal training and development the e hr wages and salary administration grievance and discipline human resource development human relations trends in human resource management more mcqs

41 human resources quizzes questions answers trivia - Sep 26 2022

web mar 21 2023 human resources quizzes questions answers are you an authority on human resources find out by using our human resources trivia quizzes to test your knowledge do your health benefits satisfy the needs of your employees a company s human resources department is in charge of locating interviewing hiring and educating

human resource development multiple choice question gurukpo - Jan 31 2023

web q hrd system are designed to suit the a organizational culture b human resources c economy of the country d markets q hrd professionals should continuously exchange a their experiences b their thoughts c their views d their working q in many large organization hrd manager is a part of

[mcq question pdf human resources behavior modification](#) - Feb 17 2022

web question 1 which of the following is related to human resource development a concerned with the management of the people working in the organization b management function encompasses many functions c routine and administrative d creative and continuous process correct answer d

human resource management mcq quiz textbook com - Aug 26 2022

web oct 4 2023 human resource management question 1 detailed solution the correct answer is prof efferson key points farm management is the science that guides the achievement of business objectives in agriculture it is an interdisciplinary field that draws on knowledge from economics accounting agriculture and engineering

human resource development mcqs study for buddies - Oct 28 2022

web feb 13 2022 human resource development hrd mcqs 1 involves providing knowledge and skills needed to do a particular task or job a training b development c counselling d coaching 2 which one of the following is not a part of traditional hr activities which views people as resources a goal setting and

[human resource management multiple choice questions and](#) - Jun 23 2022

web top 125 multiple choice question and answers on human resource management hrm q1 human resource departments are

a line departments b authority department advertisements c service department d functional department ans c q2 what is human factor advertisements a micro and macro issues of

hrm human resource management mcq questions and - Apr 21 2022

web hrm human resource management mcq questions and answers with easy and logical explanations management provides you all type of quantitative and competitive aptitude mcq questions with easy and logical explanations hrm human resource management mcq is important for exams like mat cat ca cs cma cpa cfa

human resource development mcqs with answers free - Nov 28 2022

web test your human resource development knowledge with our multiple choice quiz these human resource development mcq questions answers are a fun way to test your knowledge

solved competencies of hrd are mcqmate - Mar 21 2022

web management training and development competencies of hrd are view all mcqs in management training and development discussion related questions

human resource development mcqs with answers studypool - Mar 01 2023

web human resource development mcqs with answers 1 in the present business environment hr plays a role in realizing the business goals a strategic b technical c vital d very important ans a 2 true false the major challenge for the hr contribution towards the overall organization performance a false b

cerebro de pan las harinas en el centro del deterioro cerebral de - Apr 23 2022

web jan 14 2021 con esa línea de pensamiento volcada en su libro cerebro de pan grain brain el renombrado neurólogo david perlmutter conquistó rápidamente el primer puesto de todas las listas de los más vendidos en los estados unidos es que su postulado sugiere que la disfunción cerebral comienza con el pan de cada día

cerebro de pan grain brain paperback 4 nov 2014 - Jan 01 2023

web select the department you want to search in

cerebro de pan grain brain tapa blanda 4 noviembre 2014 - May 05 2023

web elogios para cerebro de pan el doctor perlmutter ofrece una aproximación innovadora sobre el más frágil de nuestros órganos el cerebro es líder indiscutible en el manejo de medicina convencional y alternativa en el tratamiento de los desordenes neurológicos

read cerebro de pan grain brain for free dailymotion - May 25 2022

web sep 10 2020 groundbreaking and timely grain brain shows that the fate of your brain is not in your genes it s in the food you eat dr perlmutter explains what happens when your brain encounters common ingredients in fruit bowls and bread how statins may be erasing your memory why a diet high in good fats is ideal and how to spur the growth of new

cerebro de pan las recetas the grain brain cookbook - Feb 02 2023

web about cerebro de pan las recetas the grain brain cookbook bestseller de the new york times más de 150 recetas libres de gluten que transformarán tu salud y cambiarán tu vida el complemento ideal de cerebro de pan que te ayudará a eliminar los antojos de azúcar y establecer un nuevo repertorio de comidas para una vida sana y plena

read ebook pdf cerebro de pan grain brain studocu - Mar 23 2022

web ras al khaimah medical and health sciences university medicine med101 students shared 23501 documents in this course read and download cerebro de pan grain brain cerebro de pan grain brain cerebro de pan grain brain con un revolucionario plan de 30 d 237as cerebro de pan nos

cerebro de pan grain brain google books - Aug 08 2023

web nov 4 2014 el trigo en la actualidad en especial es responsable de la destrucción de mas cerebros en el mundo que todos los derrames cerebrales los accidentes automovilísticos y los traumas

cerebro de pan la devastadora verdad sobre los efectos del - Oct 30 2022

web david perlmutter cerebro de pan la devastadora verdad sobre los efectos del trigo el azúcar y los carbohidratos pasta blanda 14 julio 2021

cerebro de pan edición actualizada grain brain the surprising - Jun 06 2023

web a partir de los últimos desarrollos en la investigación científica que han validado sus recomendaciones explica cómo el programa grain brain cerebro de pan estimula el cerebro muestra los beneficios de usar la grasa como fuente principal de combustible y presenta la evidencia más convincente hasta la fecha de que la dieta sin ogm sin

amazon cerebro de pan edición actualizada grain brain the - Jul 27 2022

web apr 23 2019 amazon cerebro de pan edición actualizada grain brain the surprising truth about wheat carbs and sugar amazon perlmutter david

creier pane wikipedia - Feb 19 2022

web unsourced material may be challenged and removed creier pane is a romanian dish usually made using pig s brains although cow or lamb s brains can also be used while there are regional variations for the recipe the most common way of preparing creier pane is boiling the organ and then coating it evenly in flour egg and breadcrumbs before

cerebro de pan grain brain youtube - Jun 25 2022

web autores del libro david perlmutter kristin lobergestudio que mencioné en el minuto 12 30 scielo iscii es pdf nh v32n6 61originalancianos06 pdfpd

cerebro de pan grain brain amazon com - Aug 28 2022

web cerebro de pan grain brain audible audiolibro versión íntegra david perlmutter author edson matus narrator 1 más 4 7 2

656 calificaciones ver todos los formatos y ediciones kindle us 7 99 audiolibro us 0 00 gratis con tu prueba de audible

cerebro de pan grain brain by david perlmutter audible com - Jul 07 2023

web cerebro de pan grain brain as it s meant to be heard narrated by edson matus discover the spanish audiobook at audible free trial available

cerebro de pan grain brain la devastadora verdad sobre los - Sep 28 2022

web nov 4 2014 cerebro de pan grain brain la devastadora verdad sobre los efectos del trigo el azucar y los carbohidratos y un plan de 30 dias para remediarlo spanish edition perlmutter m d david on amazon com free shipping on

cerebro de pan grain brain la devastadora verdad sobre los - Nov 30 2022

web david perlmutter cerebro de pan grain brain la devastadora verdad sobre los efectos del trigo el azucar y los carbohidratos y un plan de 30 dias para remediarlo spanish edition tapa blanda 4 noviembre 2014 edición en español de

david perlmutter m d author 4 7 2 558 calificaciones parte de cerebro de pan 2 libros

cerebro de pan grain brain youtube - Sep 09 2023

web

cerebro de pan grain brain amazon com tr - Oct 10 2023

web cerebro de pan grain brain perlmutter m d david amazon com tr kitap Çerez tercihlerinizi seçin Çerez bildirimimizde ayrıntılı şekilde açıklandığı üzere alışveriş yapmanızı sağlamak alışveriş deneyiminizi iyileştirmek ve hizmetlerimizi sunmak için gerekli olan çerezleri ve benzer araçları kullanırız

cerebro de pan grain brain resumen completo del libr - Mar 03 2023

web 3 00 1 rating0 reviews descripciÓn del libro original en este libro el dr perlmutter su autor vincula la neurociencia con la nutrición para mostrar los riesgos a los que nos expone la ingesta de cereales azúcar y carbohidratos alimentos

especialmente nefastos para el cerebro

grain brain the surprising truth about wheat carbs a - Apr 04 2023

web sep 17 2013 groundbreaking and timely grain brain shows that the fate of your brain is not in your genes it s in the food you eat dr perlmutter explains what happens when your brain encounters common ingredients in fruit bowls and bread how statins may be erasing your memory why a diet high in good fats is ideal and how to spur the growth of new br

github ravitejapinnaka image processing android application - Oct 16 2023

web nov 2 2015 image processing android application this android mobile app contains different applications related to image and video processing some of the related features are face morphing with another image creating contours colour blobs and multiple filters using the camera of the mobile like sobel canny censored histogram sepia hue

image processing projects using android with source code - Aug 14 2023

web sep 27 2023 top 300 latest image processing projects based on android with source code and abstracts 2023 face recognition based on android image processing telemedicine system using a mobile cardiac iot controlling of robot for localization using android smartphone

image processing source code for android project book - Apr 29 2022

web image processing source code for android project processing second edition apr 10 2020 the new edition of an introduction to computer programming within the context of the visual arts using the open source programming language processing thoroughly updated throughout the visual arts are

image processing projects using android with source code - Nov 05 2022

web image processing projects using android with source code list of simple image processing projects in android for ece students this article also contains android mini projects for final year engineering students free pdf downloads ideas topics with abstracts source code downloads

androidvision learn image processing on your mobile - Dec 06 2022

web jan 6 2014 this article describes an android application demonstrating the capabilities of the opencv platform on android its main goal is not speed of execution but ease of implementation after all i want to demonstrate the outcome of using specific filters and as such there is no optimization and as always i m innocent

android open source project - May 31 2022

web android is an open source operating system for mobile devices and a corresponding open source project led by google this site and the android open source project aosp repository offer the information and source code needed to create custom variants of the android os port devices and accessories to the android platform and ensure devices

20 image processing projects ideas in python with source code - Mar 29 2022

web oct 16 2023 image processing projects ideas in python with source code for hands on practice to develop your computer vision skills as a machine learning engineer get access to all computer vision projects view all computer vision projects last updated 16 oct 2023 by projectpro

android open source image process java2s - Sep 03 2022

web android open source image process image qrcoodedemo this is an about how to use zxing in android zxing is an open source multi format 1d 2d barcode image processing library implemented in java with ports to other languages score 7 activity 10 min sdk 8 target sdk 14 java file 305 manifest file 1 basicimageprocessingandroid

image processing source code for android project book - Feb 25 2022

web using python s processing py an open source graphical development environment this beginners book introduces non programmers to the fundamentals of computer coding within a visual arts focused context

github muazkadan android opencv simple image processing android - May 11 2023

web jun 9 2020 opencv stands for open source computer vision library it s an open source image processing and machine learning library the library is available for multiple platforms such as windows linux android and ios content of project this project was created for a university course

android image processing tutorial stack overflow - Sep 15 2023

web mar 4 2017 1 the best way to learn image processing on an android platform is via implementation try running and understanding the existing opencv4android samples on android studio eclipse they are available on github com

joaopedronardari opencv androidsamples

image processing source code for android project copy - Aug 02 2022

web image processing source code for android project mastering android development with kotlin feb 12 2020 master android development using a variety of kotlin features about this book leverage specific features of kotlin to ease android application development an illustrative guide that will help you write code based kotlin language to

top android projects with source code 2023 interviewbit - Oct 04 2022

web sep 26 2023 you ll also use the camerax library for enabling image capture options you ll also learn about how to do image processing using picasso or any other image library tools languages required android studio java or kotlin camerax library and picasso source code photo management news application

opencv basic image processing on android codeproject - Jul 13 2023

web jun 28 2019 background opencv is a flexible library for computer vision and image processing the open source project hdr2exr built by developer kasper oelemans combines 33 still 360 degree images into a single exr file that file is then used to provide lighting for 3d assets

vr image processing with android codeproject - Jul 01 2022

web jun 26 2019 source code at github introduction vr or 360 images that can be viewed in headsets or on sites like google streetview are standard jpg images you can use simple android graphics processing techniques to modify 360 images with a separate mobile device or internally on 360 camera phones that run the android os and can

processing images fast with native code in android - Mar 09 2023

web jan 1 2022 this is a very basic article demonstrating how to do image processing with native code in android i ll also show by an example that the performance of a very simple and unoptimized c code comes very close to fairly optimized java code for the same problem statement

image processing github topics github - Jun 12 2023

web nov 14 2023 digital image processing is the use of algorithms to make computers analyze the content of digital images

here are 16 739 public repositories matching this topic language all

[image processing library for android and java stack overflow](#) - Feb 08 2023

web jul 13 2011 i already searched in google but had the problem that most if not all image processing frameworks either use java awt or the android classes so they are not compatible to each other the only framework which could work is jjil code google com p jjil but you have to include different libraries for android or java

image processing library for android stack overflow - Jan 07 2023

web may 6 2012 opencv for open computer vision is a c image processing library widely used by researchers in image processing computer vision robotics at least for the ones who don t use matlab it does officially support android and it

[image analysis android developers](#) - Apr 10 2023

web nov 22 2022 the image analysis use case provides your app with a cpu accessible image on which you can perform image processing computer vision or machine learning inference the application implements an analyze method that is run on each frame