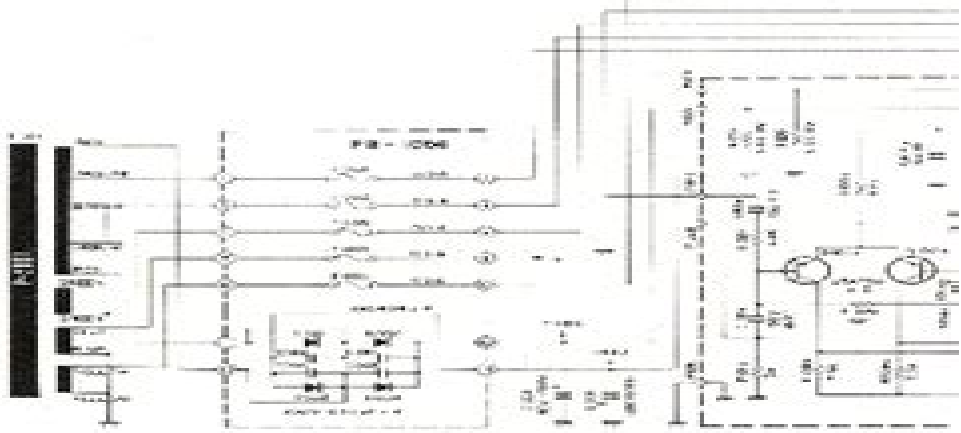
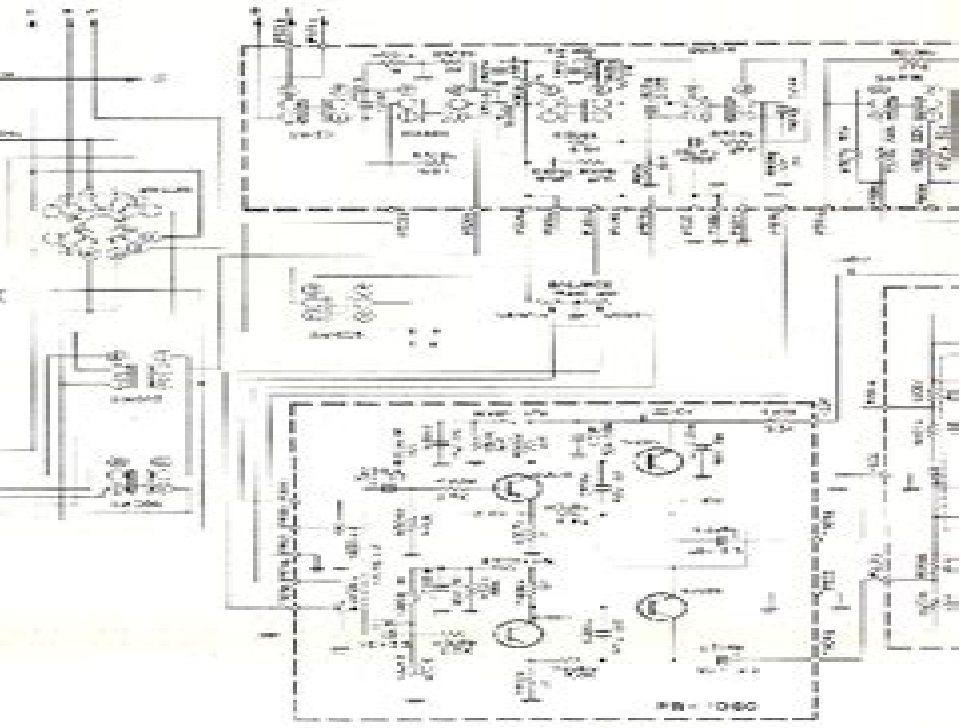


For use with the following components:  
 AC input: 100V, 200V, 300V, 400V, 500V  
 Lamp: 100V, 200V, 300V, 400V, 500V  
 Transformer: 100V, 200V, 300V, 400V, 500V  
 Resistor: 100Ω, 200Ω, 300Ω, 400Ω, 500Ω



For use with the following components:  
 AC input: 100V, 200V, 300V, 400V, 500V  
 Lamp: 100V, 200V, 300V, 400V, 500V  
 Transformer: 100V, 200V, 300V, 400V, 500V  
 Resistor: 100Ω, 200Ω, 300Ω, 400Ω, 500Ω

100V, 200V, 300V, 400V, 500V  
 100Ω, 200Ω, 300Ω, 400Ω, 500Ω  
 100V, 200V, 300V, 400V, 500V  
 100Ω, 200Ω, 300Ω, 400Ω, 500Ω

# Luxman R 1050 Service Manual User Guide

**R Sandford**



**Luxman R 1050 Service Manual User Guide:**

This book delves into Luxman R 1050 Service Manual User Guide. Luxman R 1050 Service Manual User Guide is a vital topic that needs to be grasped by everyone, from students and scholars to the general public. This book will furnish comprehensive and in-depth insights into Luxman R 1050 Service Manual User Guide, encompassing both the fundamentals and more intricate discussions.

1. The book is structured into several chapters, namely:
    - Chapter 1: Introduction to Luxman R 1050 Service Manual User Guide
    - Chapter 2: Essential Elements of Luxman R 1050 Service Manual User Guide
    - Chapter 3: Luxman R 1050 Service Manual User Guide in Everyday Life
    - Chapter 4: Luxman R 1050 Service Manual User Guide in Specific Contexts
    - Chapter 5: Conclusion
  2. In chapter 1, the author will provide an overview of Luxman R 1050 Service Manual User Guide. The first chapter will explore what Luxman R 1050 Service Manual User Guide is, why Luxman R 1050 Service Manual User Guide is vital, and how to effectively learn about Luxman R 1050 Service Manual User Guide.
  3. In chapter 2, this book will delve into the foundational concepts of Luxman R 1050 Service Manual User Guide. The second chapter will elucidate the essential principles that need to be understood to grasp Luxman R 1050 Service Manual User Guide in its entirety.
  4. In chapter 3, the author will examine the practical applications of Luxman R 1050 Service Manual User Guide in daily life. This chapter will showcase real-world examples of how Luxman R 1050 Service Manual User Guide can be effectively utilized in everyday scenarios.
  5. In chapter 4, the author will scrutinize the relevance of Luxman R 1050 Service Manual User Guide in specific contexts. This chapter will explore how Luxman R 1050 Service Manual User Guide is applied in specialized fields, such as education, business, and technology.
  6. In chapter 5, this book will draw a conclusion about Luxman R 1050 Service Manual User Guide. The final chapter will summarize the key points that have been discussed throughout the book.
- The book is crafted in an easy-to-understand language and is complemented by engaging illustrations. This book is highly recommended for anyone seeking to gain a comprehensive understanding of Luxman R 1050 Service Manual User Guide.

<https://staging.conocer.cide.edu/book/Resources/fetch.php/manual%20toyota%20prado%202015.pdf>

## **Table of Contents Luxman R 1050 Service Manual User Guide**

1. Understanding the eBook Luxman R 1050 Service Manual User Guide
  - The Rise of Digital Reading Luxman R 1050 Service Manual User Guide
  - Advantages of eBooks Over Traditional Books
2. Identifying Luxman R 1050 Service Manual User Guide
  - Exploring Different Genres
  - Considering Fiction vs. Non-Fiction
  - Determining Your Reading Goals
3. Choosing the Right eBook Platform
  - Popular eBook Platforms
  - Features to Look for in an Luxman R 1050 Service Manual User Guide
  - User-Friendly Interface
4. Exploring eBook Recommendations from Luxman R 1050 Service Manual User Guide
  - Personalized Recommendations
  - Luxman R 1050 Service Manual User Guide User Reviews and Ratings
  - Luxman R 1050 Service Manual User Guide and Bestseller Lists
5. Accessing Luxman R 1050 Service Manual User Guide Free and Paid eBooks
  - Luxman R 1050 Service Manual User Guide Public Domain eBooks
  - Luxman R 1050 Service Manual User Guide eBook Subscription Services
  - Luxman R 1050 Service Manual User Guide Budget-Friendly Options
6. Navigating Luxman R 1050 Service Manual User Guide eBook Formats
  - ePub, PDF, MOBI, and More
  - Luxman R 1050 Service Manual User Guide Compatibility with Devices
  - Luxman R 1050 Service Manual User Guide Enhanced eBook Features
7. Enhancing Your Reading Experience
  - Adjustable Fonts and Text Sizes of Luxman R 1050 Service Manual User Guide
  - Highlighting and Note-Taking Luxman R 1050 Service Manual User Guide
  - Interactive Elements Luxman R 1050 Service Manual User Guide

8. Staying Engaged with Luxman R 1050 Service Manual User Guide
  - Joining Online Reading Communities
  - Participating in Virtual Book Clubs
  - Following Authors and Publishers Luxman R 1050 Service Manual User Guide
9. Balancing eBooks and Physical Books Luxman R 1050 Service Manual User Guide
  - Benefits of a Digital Library
  - Creating a Diverse Reading Collection Luxman R 1050 Service Manual User Guide
10. Overcoming Reading Challenges
  - Dealing with Digital Eye Strain
  - Minimizing Distractions
  - Managing Screen Time
11. Cultivating a Reading Routine Luxman R 1050 Service Manual User Guide
  - Setting Reading Goals Luxman R 1050 Service Manual User Guide
  - Carving Out Dedicated Reading Time
12. Sourcing Reliable Information of Luxman R 1050 Service Manual User Guide
  - Fact-Checking eBook Content of Luxman R 1050 Service Manual User Guide
  - Distinguishing Credible Sources
13. Promoting Lifelong Learning
  - Utilizing eBooks for Skill Development
  - Exploring Educational eBooks
14. Embracing eBook Trends
  - Integration of Multimedia Elements
  - Interactive and Gamified eBooks

### **Luxman R 1050 Service Manual User Guide Introduction**

Luxman R 1050 Service Manual User Guide Offers over 60,000 free eBooks, including many classics that are in the public domain. Open Library: Provides access to over 1 million free eBooks, including classic literature and contemporary works. Luxman R 1050 Service Manual User Guide Offers a vast collection of books, some of which are available for free as PDF downloads, particularly older books in the public domain. Luxman R 1050 Service Manual User Guide : This website hosts a vast collection of scientific articles, books, and textbooks. While it operates in a legal gray area due to copyright issues, its a

popular resource for finding various publications. Internet Archive for Luxman R 1050 Service Manual User Guide : Has an extensive collection of digital content, including books, articles, videos, and more. It has a massive library of free downloadable books. Free-eBooks Luxman R 1050 Service Manual User Guide Offers a diverse range of free eBooks across various genres. Luxman R 1050 Service Manual User Guide Focuses mainly on educational books, textbooks, and business books. It offers free PDF downloads for educational purposes. Luxman R 1050 Service Manual User Guide Provides a large selection of free eBooks in different genres, which are available for download in various formats, including PDF. Finding specific Luxman R 1050 Service Manual User Guide, especially related to Luxman R 1050 Service Manual User Guide, might be challenging as theyre often artistic creations rather than practical blueprints. However, you can explore the following steps to search for or create your own Online Searches: Look for websites, forums, or blogs dedicated to Luxman R 1050 Service Manual User Guide, Sometimes enthusiasts share their designs or concepts in PDF format. Books and Magazines Some Luxman R 1050 Service Manual User Guide books or magazines might include. Look for these in online stores or libraries. Remember that while Luxman R 1050 Service Manual User Guide, sharing copyrighted material without permission is not legal. Always ensure youre either creating your own or obtaining them from legitimate sources that allow sharing and downloading. Library Check if your local library offers eBook lending services. Many libraries have digital catalogs where you can borrow Luxman R 1050 Service Manual User Guide eBooks for free, including popular titles. Online Retailers: Websites like Amazon, Google Books, or Apple Books often sell eBooks. Sometimes, authors or publishers offer promotions or free periods for certain books. Authors Website Occasionally, authors provide excerpts or short stories for free on their websites. While this might not be the Luxman R 1050 Service Manual User Guide full book , it can give you a taste of the authors writing style. Subscription Services Platforms like Kindle Unlimited or Scribd offer subscription-based access to a wide range of Luxman R 1050 Service Manual User Guide eBooks, including some popular titles.

### **FAQs About Luxman R 1050 Service Manual User Guide Books**

**What is a Luxman R 1050 Service Manual User Guide PDF?** A PDF (Portable Document Format) is a file format developed by Adobe that preserves the layout and formatting of a document, regardless of the software, hardware, or operating system used to view or print it. **How do I create a Luxman R 1050 Service Manual User Guide PDF?** There are several ways to create a PDF: Use software like Adobe Acrobat, Microsoft Word, or Google Docs, which often have built-in PDF creation tools. Print to PDF: Many applications and operating systems have a "Print to PDF" option that allows you to save a document as a PDF file instead of printing it on paper. Online converters: There are various online tools that can convert different file types to PDF. **How do I edit a Luxman R 1050 Service Manual User Guide PDF?** Editing a PDF can

be done with software like Adobe Acrobat, which allows direct editing of text, images, and other elements within the PDF. Some free tools, like PDFescape or Smallpdf, also offer basic editing capabilities. **How do I convert a Luxman R 1050 Service Manual User Guide PDF to another file format?** There are multiple ways to convert a PDF to another format: Use online converters like Smallpdf, Zamzar, or Adobe Acrobats export feature to convert PDFs to formats like Word, Excel, JPEG, etc. Software like Adobe Acrobat, Microsoft Word, or other PDF editors may have options to export or save PDFs in different formats. **How do I password-protect a Luxman R 1050 Service Manual User Guide PDF?** Most PDF editing software allows you to add password protection. In Adobe Acrobat, for instance, you can go to "File" -> "Properties" -> "Security" to set a password to restrict access or editing capabilities. Are there any free alternatives to Adobe Acrobat for working with PDFs? Yes, there are many free alternatives for working with PDFs, such as: LibreOffice: Offers PDF editing features. PDFsam: Allows splitting, merging, and editing PDFs. Foxit Reader: Provides basic PDF viewing and editing capabilities. How do I compress a PDF file? You can use online tools like Smallpdf, ILovePDF, or desktop software like Adobe Acrobat to compress PDF files without significant quality loss. Compression reduces the file size, making it easier to share and download. Can I fill out forms in a PDF file? Yes, most PDF viewers/editors like Adobe Acrobat, Preview (on Mac), or various online tools allow you to fill out forms in PDF files by selecting text fields and entering information. Are there any restrictions when working with PDFs? Some PDFs might have restrictions set by their creator, such as password protection, editing restrictions, or print restrictions. Breaking these restrictions might require specific software or tools, which may or may not be legal depending on the circumstances and local laws.

### **Find Luxman R 1050 Service Manual User Guide :**

**manual toyota prado 2015**

**manual writing with symbols**

**manual transmission jumps out of gear**

[manual volkswagen gol gti](#)

**manual wheelchair price**

[manual to a stihl fs 66](#)

[manual volvo penta model kad](#)

**manual zf microcommander 91100**

[manual transmission honda accord](#)

*manual transmissions and transaxles erjavec answers*

**manual transmission schma chevrolet aveo 2006**



[manual transas pocket sail](#)

[manual zte 10 w300](#)

[manual usuario samsung galaxy trend](#)

**manuale d& 39;uso cobra xrs 9330**

## **Luxman R 1050 Service Manual User Guide :**

**fortuny from invention to eternity british vogue** - Mar 12 2023

web nov 1 2017 fortuny a spaniard in venice fortuny un espagnol à venise is at the palais galliera until january 7th 2018 this exhibition closes the palais galliera s spanish season which opened with balenciaga working in black balenciaga l oeuvre au noir at the musée bourdelle and spanish costumes darkness and

**marià fortuny wikipedia** - May 14 2023

web marià josep maria bernat fortuny i marsal catalan pronunciation mə'ri'a zu'zɛb mə'ri ə βər'nat fur'tuɲ i mə'r'sal spanish mariano José María Bernardo Fortuny y Marsal June 11 1838 November 21 1874 known more simply as Marià Fortuny or Mariano Fortuny was the leading Spanish painter of his day with an

**fortuny visionary legacy bold innovation** - Aug 17 2023

web fortuny makes the finest printed fabrics in the world handmade in venice since 1907 continuing our legacy of unique innovation and timeless artistry lights rise teatro view collection teatro sets the stage for a new century with three patterns in dramatic colors that spark inspiration in spaces large and small

[fortuny 1838 1874 exhibition museo nacional del prado](#) - Jul 04 2022

web nov 21 2017 museo nacional del prado mariano fortuny who was born in reus in 1838 and died in rome in 1874 was the most internationally celebrated 19 th century spanish artist his early discovery of light and colour in the broad open spaces of the north african landscape led him to focus on working from life free from academic convention

**mariano fortuny lampes en soie et verre vêtements coussins fortuny** - Jun 15 2023

web abonnement À notre newsletter achetez des lampes en soie et verre fortuny des vêtements des foulards des sacs et des sacs à main

*fortuny celebrates 90 years in new york city architectural digest* - Apr 01 2022

web jul 9 2018 on the occasion of its 90th anniversary in new york ad pro looks back at fortuny s beginnings and ahead to its strategy for longevity when mariano fortuny died in 1949 just eight days shy of

**fortuny wikipedia** - Apr 13 2023

web fortuny eastern catalan is a surname of catalan origin it may refer to diego fortuny born 1991 argentine rugby union

player enzo fortun y born 1981 mexican voice actor josé manuel fortun y 1916 2005 guatemalan communist leader mariano fortun y painter 1835 1874 spanish painter

[projects fortun y](#) - Nov 27 2021

web take a look at some of the most beautiful interior design projects from all over the world featuring our fortun y lamps

**fortun y venezia fortun yvenezia instagram photos and** - Dec 09 2022

web 135k followers 548 following 315 posts see instagram photos and videos from fortun y venezia fortun yvenezia

[shop fortun y](#) - Oct 07 2022

web tischkultur fortun y shop bietet die größte sammlung an beleuchtung lampen und kleidung mit der garantie seit über zwei jahrzehnten qualität zu liefern

*mariano fortun y designer wikipedia* - Sep 18 2023

web mariano fortun y y madrazo catalan marià fortun y i de madrazo pronounced məri'a fur'tuɲ i ðə mə'draθu 11 may 1871 3 may 1949 was a spanish polymath artist inventor and fashion designer who opened his couture house in 1906 and continued until 1946 he was the son of the painter mariano fortun y marsal

[fortun y professional](#) - Jun 03 2022

web home fortun y makes the finest printed fabrics in the world handmade in venice since 1907 continuing our legacy of unique innovation and timeless artistry

*our stores fortun y* - Feb 28 2022

web our stores visit our ateliers in venice paris and munich and discover our lamps clothing accessories and perfumes our shop assistants will be happy to guide you in this inspiring experience

*extinct ape gets a facelift 12 million years later sciencedaily* - Jan 10 2023

web date october 16 2023 source american museum of natural history summary a new study has reconstructed the well preserved but damaged skull of a great ape species that lived about 12 million

**fortun y textiles** - Jul 16 2023

web fortun y makes the finest printed fabrics in the world handmade in venice since 1907 continuing our legacy of unique innovation and timeless artistry

[fortun y collections](#) - May 02 2022

web fortun y makes the finest printed fabrics in the world handmade in venice since 1907 continuing our legacy of unique innovation and timeless artistry

[fortun y agent locator](#) - Jan 30 2022

web continuing our legacy of unique innovation and timeless artistry agent locator home agent locator new york city new

york showroom 979 third avenue suite 1632new york ny 10022 t 001 212 753 7153 flagship showroom

**mariano fortun y silk and glass luxury lamps clothing fortun y** - Nov 08 2022

web shop fortun y silk and glass luxury lamps clothing scarves bags and purses we ship worldwide all products are made in venice

*fortun y delphos italian the metropolitan museum of art* - Sep 06 2022

web design house fortun y italian founded 1906 designer adèle henriette elisabeth nigrin fortun y french born fontainebleau 1877 1965 venice designer mariano fortun y spanish granada 1871 1949 venice date 1925 49 culture italian medium a silk glass b c silk credit line gift of clare fahnestock moorehead 2001

*how to pronounce fortun y howtopronounce com* - Oct 27 2021

web oct 5 2023 very easy easy moderate difficult very difficult pronunciation of fortun y with 2 audio pronunciations 2 ratings 0 rating record the pronunciation of this word in your own voice and play it to listen to how you have pronounced it

*shop fortun y* - Dec 29 2021

web fortun y shop brings the largest collection of lighting lamps and clothings with an assurance of delivering quality for over two decades trade program free shipping and no extra import charges

*gra koło fortun y piliapp* - Feb 11 2023

web gra koło fortun y ukryć to narzędzie online do losowego wybierania nazwy lub przedmiotu nazywa się również losowym wyborem nazw kołem nazw lub ruletką online czasami ludziom trudno jest podejmować decyzje następnie zrób listę istniejących opcji lub kandydatów a następnie losowo wybierz jedną z nich w takim przypadku

fortun y shop - Aug 05 2022

web fortun y shop the eternal meets the moment in handmade objects that shine light on a world of expression for how we live today fortun y makes the finest printed fabrics in the world handmade in venice since 1907 continuing our legacy of unique innovation and timeless artistry

scientists reconstruct extinct ape s damaged skull to better - Sep 25 2021

web 2 days ago explore further a new study led by scientists at the american museum of natural history brooklyn college and the catalan institute of paleontology miquel crusafont has reconstructed the well

electrical conduit bending pdf pdf angle mechanical - Jul 24 2022

web conduit this ouick card references only l z inch emt in these examples for step 1 use 112 emt measure with the hook of the bender bender exerting constant simplicity so that the electrician may practice with a length of l z inch emt 12 from the end of the and yourself facing the end pressure on the foot pedal

how to bend emt conduit for beginners maker pipe - Nov 27 2022

web jul 1 2021 how to bend emt conduit for beginners emt conduit is a great building material for diyers and learning how to bend it will open up even more possibilities for your projects it is easy to do with the off the shelf conduit bender that you can find at your local big box store it can seem intimidating but i promise anyone can do it tool needed

**how to bend conduit with and without a bender the spruce** - Dec 29 2022

web mar 21 2023 materials emt conduit instructions the spruce kevin norris calculate the bend the first step in making a 90 degree bend is to determine how long the bend needs to be let s say that you re running a piece of 3 4 inch conduit straight down a wall then turning it 90 degrees to run horizontally to an electrical box that is 12 inches away

**emt conduit installation bending your best guide in 7 minutes** - Sep 25 2022

web 12 spray paint after the completion of the emt installation and its boxes we need to identify the conduits and their boxes are related to which system either lighting or power or fire alarm system and so on that s why we will use spray paint with a specific color to a specific system usually we will use the red color for identifying

**conduit bending guide how to use an emt bender elliott** - Oct 07 2023

web what is an emt conduit bender tool a conduit bender is a hand held tool that allows users to easily reshape emt conduit conduit is inserted into the bender s head and following the specialized guides the user will step on the foot pedal or use their hands to bend the metal pipe at whatever angle they need

*emt conduit bending cheat sheet unlockmichigan* - Jun 22 2022

web pictures and diagrams for effective bending each type of bend is demonstrated with pictures that allow the reader to gain a clear understanding of the art of conduit bending the chapters include safety stub ups back to back bends offsets three bend saddles four bend saddles pvc bending and conduit fill calculations

electrical electrical workshop workshop pipe pipe bending bending - Oct 27 2022

web emt sizes 1 2 3 4 1 and 1 1 4 can be bent using a hand bender hand benders benders having a full shoe that the pipe is formed around used for hand bending emt imc and rigid pipe gain the amount of pipe gained saved by bending on a radius and not at right angles

**bending book rev2** - Aug 25 2022

web multiply the c c measurement of the conduits by the tangent of 1 2 the bend angle add this figure to the center of bend measurement of 1st conduit this will be center of bend measurement of the 2nd conduit advance the center of bend measurement of each succeeding conduit by this figure example  $\tan \text{ opp adj } \text{opp} \tan 15^\circ \times \text{adj c c}$

**emt bending cheat sheet pivotid uvu edu** - Apr 20 2022

web emt bending cheat sheet conduit bending and fabrication american technical publishers inc 2007 conduit bending and fabrication was developed to help electricians and maintenance technicians learn to accurately bend electrical conduit the

textbook includes numerous step by step procedures showing the proper methods of conduit

**4 ways to bend emt conduit wikihow** - Apr 01 2023

web jan 29 2023 1 select the correct bender make sure your bender is designed for emt conduit of the size you are using even a universal bender may require attaching a shoe and or follow bar designed for emt this article focuses on hand benders  
*emt bending cheat sheet tpc redmatters com* - May 22 2022

web emt bending cheat sheet fra guide for preparing accidents incidents reports ugly s electrical references 2023 edition  
ugly s electrical references bending offers electricians and electrical students a proven way to install conduit using all types of benders this widely accepted

**cheat sheets ems basics** - Feb 16 2022

web cheat sheets march 4 2011 by brandon oto 3 comments now and then you see someone with one of those little spiral bound ems pocket guides they make sense for paramedics who have drug dosages and other information dense and in some cases rarely used protocols that need remembering but they always seemed a little silly for

*how to bend conduit 14 steps with pictures wikihow* - Feb 28 2023

web feb 2 2023 1 measure the length of conduit you ll need start from a corner or other orienting point then measure from the corner to where the conduit will end usually a converter box place a pencil mark on the conduit at the measurement where the corner should be 1 make sure that you have some extra conduit on hand if you do not do it often

**formulas and multipliers for bending conduit or electrical pipe** - Jun 03 2023

web only a few numbers and math operations need to be memorized to make offsets saddles and 90 degree bends even the multiplier and deduct figures are usually stamped onto the bender device for more information on using a hand bender see my comprehensive guide to bending conduit

conduit bender guide klein tools - Sep 06 2023

web conduit come in two types emt and rigid conduits and can be found in various sizes klein tools provides conduit benders for emt in  $\frac{1}{2}$   $\frac{3}{4}$  1 and 1  $\frac{1}{4}$  conduit and  $\frac{1}{2}$   $\frac{3}{4}$  and 1 rigid conduit to aid bending when performing a ground or air bend the benders are marked with different alignment

**a comprehensive guide for electricians on how to bend emt** - May 02 2023

web the math behind bending conduit emt electrical conduit pipe bending the math behind a conduit bending guide a study of the math behind bending electrical conduit emt learn to bend conduit to any configuration desired not merely the common bends on a conduit bender as well as how to bend large conduit to desired configurations

**formulas and multipliers for bending conduit or electrical pipe** - Jul 04 2023

web sep 25 2018 math from hand benders deducts bend radiuses and multipliers lots of math is built into the hand bender

device only a few numbers and math operations need to be memorized to make offsets saddles and 90 degree bends even the multiplier and deduct figures are usually stamped onto the bender device

[hand conduit bender guide ideal ind](#) - Aug 05 2023

web instructions bend conduit with skill and professionalism take the guess work out of bending steps to remember step 1 step 2 step 3 measure your job mark you conduit using the recommended tables use your bender s engineered marks note reference to the above steps 1 2 and 3 will be made throughout this booklet 1 don t forget

**how to bend pipes an electrical conduit bending guide** - Jan 30 2023

web aluminum benders are preferred as the steel benders while stronger and sometimes cheaper are also much heavier and the extra weight will tell over a day s work a conduit bending guide with instructions on how to bend emt conduit learn how to bend conduit easily and effectively with a hand bender

**emt bending cheat sheet help environment harvard edu** - Mar 20 2022

web learn to accurately bend electrical conduit the textbook includes numerous step by step procedures showing the proper methods of conduit bending major emphasis is placed on learning the fundamentals required when bending emt and rigid conduit conduit bending and fabrication also covers the operation of mechanical electric and hydraulic

**international financial management 12th edition jeff madura solutions** - Feb 27 2022

web may 11 2018 international financial management 12th edition jeff madura solutions manual full file at testbankuniv eu international financial management 12th

*international financial management 13th edition solutions* - Mar 11 2023

web finance access the complete solution set for madura s international financial management 13th edition

*download international financial management 13th edition by jeff madura* - Aug 04 2022

web download international financial management 13th edition by jeff madura test bank international studocu national university of modern languages financial accounting acc101 students shared 125 documents in this course national university of

**answers to madura solution manual international financial management** - Dec 08 2022

web answer growth in international business can be stimulated by 1 access to foreign resources which can reduce costs or 2 access to foreign markets which boost revenues yet international business is subject to risks of exchange rate fluctuations foreign exchange restrictions a host government takeover tax regulations etc

[ifm solution international financial management 12th studocu](#) - Nov 07 2022

web ifm solution international financial management 12th edition jeff madura solutions manual test studocu international financial management 12th edition jeff madura solutions manual test bank link included completed download chapter

international flow of funds skip to document university high school books sign in

**solution manual for international financial management 14th** - Apr 12 2023

web test bank for international financial management 14th edition by jeff madura finance busi 3813 answer coca cola and pepsico still have new international

[solution manual on international financial management by jeff madura](#) - Jun 02 2022

web feb 17 2021 solution manual on international financial management by jeff madura reply to me here since i possess similar solution manuals on various subjects as well

*solution manual international financial management studocu* - Jul 15 2023

web solution manual object oriented software engineering using uml patterns and java 3rd edition madura ifm10e im ch07

notes for chapter 7 international financial management mcqs all mcqs related to nanobiotechnology madura ifm10e im ch02

solution manual international financial management

**international financial management 13th edition madura solutions manual** - Aug 16 2023

web international financial management 13th edition madura solutions manual free download as pdf file pdf text file txt or read online for free solutions manual

**solution manual international financial management studocu** - May 13 2023

web answer major imf objectives are to 1 promote cooperation among countries on international monetary issues 2 promote stability in exchange rates 3 provide temporary funds to member countries attempting to correct imbalances of international payments 4 promote free mobility of capital funds across countries and 5 promote

**international financial management jeff madura google books** - Sep 05 2022

web jan 23 2020 jeff madura cengage learning jan 23 2020 business economics 736 pages gain an understanding of theory and practical insights you need for success in international finance today with

[answers to madura solution manual international financial management](#) - Oct 06 2022

web view answers to madura solution manual international financial management pdf from fin 501 at east west university

dhaka 1 chapter managing finance in foreign subsidiaries 1 motives of an mnc

*international financial management solution manual chegg com* - Sep 17 2023

web get instant access to our step by step international financial management solutions manual our solution manuals are written by chegg experts so you can be assured of the highest quality

**solutions manual for international financial management 12th** - Feb 10 2023

web jan 21 2018 solutions manual for international financial management 12th edition by jeff madura full clear download no error formatting at

**solution manual for international financial management 12e madura** - Jul 03 2022

web solution manual for international financial management 12th edition jeff madura isbn 10 1133947832 isbn 13 9781133947837 table of contents part i the international financial environment 1 multinational financial management an overview 2 international flow of funds 3 international financial markets 4

**international financial management cengage asia** - Jan 09 2023

web isbn 9781337099738 coupling in depth coverage of essential theory with practical applications madura s international financial management 13e builds on the fundamental principles of corporate finance to provide the timely information and contemporary insights you need to prosper in today s global business environment

*international financial management 12th edition by jeff madura* - Jun 14 2023

web labwork international financial management 12th edition jeff madura solutions manual complete download test bank link included

international financial management madura solutions - May 01 2022

web the fifth edition of madura and fox s international financial management offers students a comprehensive introduction to this fast moving field discussing not only exchange rate behaviour exchange rate risk management long and short term asset and liability management but also

**international financial management madura solution manual** - Mar 31 2022

web international financial management madura solution manual 1 international financial management madura solution manual managing diversity and inclusion financial management international financial management abridged international financial operations global corporate finance buck s step by step medical coding 2020 edition

**answers to madura solution manual international financial management** - Oct 18 2023

web answers to madura solution manual international financial management advertisement 1 chapter managing finance in foreign subsidiaries 1 motives of an mnc describe constraints that interfere with a mncs objective answer the constraints faced by financial managers attempting to maximize shareholder wealth are a