

Power Supply (DC)

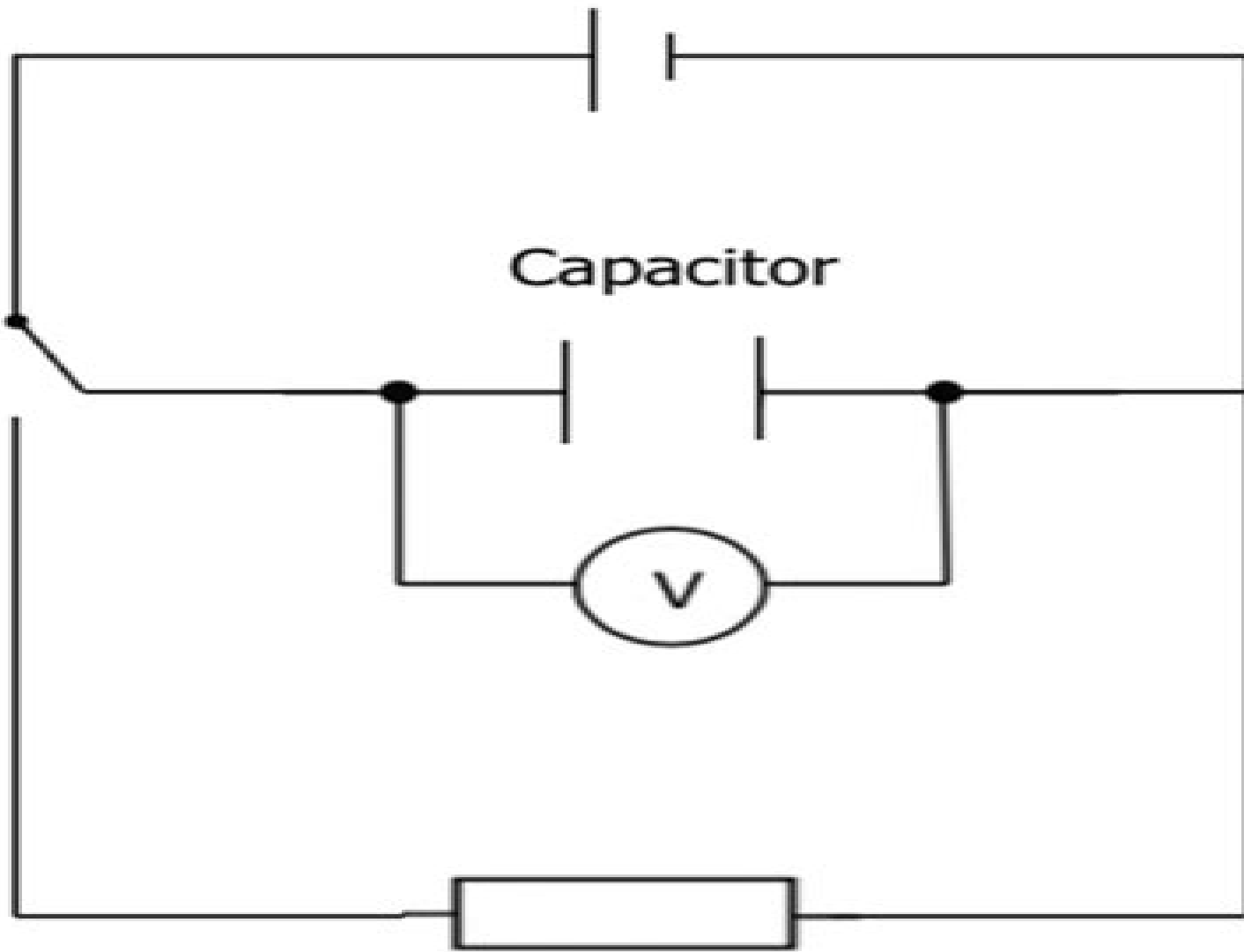
Capacitor

X

Y

V

Fixed Resistor



How To Set Up A Capacitor

M Mosston



How To Set Up A Capacitor:

How To Set Up A Capacitor Book Review: Unveiling the Magic of Language

In an electronic digital era where connections and knowledge reign supreme, the enchanting power of language has become more apparent than ever. Its power to stir emotions, provoke thought, and instigate transformation is actually remarkable. This extraordinary book, aptly titled "**How To Set Up A Capacitor**," published by a highly acclaimed author, immerses readers in a captivating exploration of the significance of language and its profound effect on our existence. Throughout this critique, we will delve to the book's central themes, evaluate its unique writing style, and assess its overall influence on its readership.

<https://staging.conocer.cide.edu/data/book-search/HomePages/Little%20Hawks%20New%20Name.pdf>

Table of Contents How To Set Up A Capacitor

1. Understanding the eBook How To Set Up A Capacitor
 - The Rise of Digital Reading How To Set Up A Capacitor
 - Advantages of eBooks Over Traditional Books
2. Identifying How To Set Up A Capacitor
 - Exploring Different Genres
 - Considering Fiction vs. Non-Fiction
 - Determining Your Reading Goals
3. Choosing the Right eBook Platform
 - Popular eBook Platforms
 - Features to Look for in an eBook Platform
 - User-Friendly Interface
4. Exploring eBook Recommendations from How To Set Up A Capacitor
 - Personalized Recommendations
 - How To Set Up A Capacitor User Reviews and Ratings
 - How To Set Up A Capacitor and Bestseller Lists

5. Accessing How To Set Up A Capacitor Free and Paid eBooks
 - How To Set Up A Capacitor Public Domain eBooks
 - How To Set Up A Capacitor eBook Subscription Services
 - How To Set Up A Capacitor Budget-Friendly Options
6. Navigating How To Set Up A Capacitor eBook Formats
 - ePub, PDF, MOBI, and More
 - How To Set Up A Capacitor Compatibility with Devices
 - How To Set Up A Capacitor Enhanced eBook Features
7. Enhancing Your Reading Experience
 - Adjustable Fonts and Text Sizes of How To Set Up A Capacitor
 - Highlighting and Note-Taking How To Set Up A Capacitor
 - Interactive Elements How To Set Up A Capacitor
8. Staying Engaged with How To Set Up A Capacitor
 - Joining Online Reading Communities
 - Participating in Virtual Book Clubs
 - Following Authors and Publishers How To Set Up A Capacitor
9. Balancing eBooks and Physical Books How To Set Up A Capacitor
 - Benefits of a Digital Library
 - Creating a Diverse Reading Collection How To Set Up A Capacitor
10. Overcoming Reading Challenges
 - Dealing with Digital Eye Strain
 - Minimizing Distractions
 - Managing Screen Time
11. Cultivating a Reading Routine How To Set Up A Capacitor
 - Setting Reading Goals How To Set Up A Capacitor
 - Carving Out Dedicated Reading Time
12. Sourcing Reliable Information of How To Set Up A Capacitor
 - Fact-Checking eBook Content of How To Set Up A Capacitor
 - Distinguishing Credible Sources
13. Promoting Lifelong Learning

- Utilizing eBooks for Skill Development
 - Exploring Educational eBooks
14. Embracing eBook Trends
- Integration of Multimedia Elements
 - Interactive and Gamified eBooks

How To Set Up A Capacitor Introduction

Free PDF Books and Manuals for Download: Unlocking Knowledge at Your Fingertips In today's fast-paced digital age, obtaining valuable knowledge has become easier than ever. Thanks to the internet, a vast array of books and manuals are now available for free download in PDF format. Whether you are a student, professional, or simply an avid reader, this treasure trove of downloadable resources offers a wealth of information, conveniently accessible anytime, anywhere. The advent of online libraries and platforms dedicated to sharing knowledge has revolutionized the way we consume information. No longer confined to physical libraries or bookstores, readers can now access an extensive collection of digital books and manuals with just a few clicks. These resources, available in PDF, Microsoft Word, and PowerPoint formats, cater to a wide range of interests, including literature, technology, science, history, and much more. One notable platform where you can explore and download free How To Set Up A Capacitor PDF books and manuals is the internet's largest free library. Hosted online, this catalog compiles a vast assortment of documents, making it a veritable goldmine of knowledge. With its easy-to-use website interface and customizable PDF generator, this platform offers a user-friendly experience, allowing individuals to effortlessly navigate and access the information they seek. The availability of free PDF books and manuals on this platform demonstrates its commitment to democratizing education and empowering individuals with the tools needed to succeed in their chosen fields. It allows anyone, regardless of their background or financial limitations, to expand their horizons and gain insights from experts in various disciplines. One of the most significant advantages of downloading PDF books and manuals lies in their portability. Unlike physical copies, digital books can be stored and carried on a single device, such as a tablet or smartphone, saving valuable space and weight. This convenience makes it possible for readers to have their entire library at their fingertips, whether they are commuting, traveling, or simply enjoying a lazy afternoon at home. Additionally, digital files are easily searchable, enabling readers to locate specific information within seconds. With a few keystrokes, users can search for keywords, topics, or phrases, making research and finding relevant information a breeze. This efficiency saves time and effort, streamlining the learning process and allowing individuals to focus on extracting the information they need. Furthermore, the availability of free PDF books and manuals fosters a culture of continuous learning. By removing financial barriers, more people can access educational resources and pursue lifelong learning, contributing to personal

growth and professional development. This democratization of knowledge promotes intellectual curiosity and empowers individuals to become lifelong learners, promoting progress and innovation in various fields. It is worth noting that while accessing free How To Set Up A Capacitor PDF books and manuals is convenient and cost-effective, it is vital to respect copyright laws and intellectual property rights. Platforms offering free downloads often operate within legal boundaries, ensuring that the materials they provide are either in the public domain or authorized for distribution. By adhering to copyright laws, users can enjoy the benefits of free access to knowledge while supporting the authors and publishers who make these resources available. In conclusion, the availability of How To Set Up A Capacitor free PDF books and manuals for download has revolutionized the way we access and consume knowledge. With just a few clicks, individuals can explore a vast collection of resources across different disciplines, all free of charge. This accessibility empowers individuals to become lifelong learners, contributing to personal growth, professional development, and the advancement of society as a whole. So why not unlock a world of knowledge today? Start exploring the vast sea of free PDF books and manuals waiting to be discovered right at your fingertips.

FAQs About How To Set Up A Capacitor Books

How do I know which eBook platform is the best for me? Finding the best eBook platform depends on your reading preferences and device compatibility. Research different platforms, read user reviews, and explore their features before making a choice. Are free eBooks of good quality? Yes, many reputable platforms offer high-quality free eBooks, including classics and public domain works. However, make sure to verify the source to ensure the eBook credibility. Can I read eBooks without an eReader? Absolutely! Most eBook platforms offer web-based readers or mobile apps that allow you to read eBooks on your computer, tablet, or smartphone. How do I avoid digital eye strain while reading eBooks? To prevent digital eye strain, take regular breaks, adjust the font size and background color, and ensure proper lighting while reading eBooks. What the advantage of interactive eBooks? Interactive eBooks incorporate multimedia elements, quizzes, and activities, enhancing the reader engagement and providing a more immersive learning experience. How To Set Up A Capacitor is one of the best book in our library for free trial. We provide copy of How To Set Up A Capacitor in digital format, so the resources that you find are reliable. There are also many Ebooks of related with How To Set Up A Capacitor. Where to download How To Set Up A Capacitor online for free? Are you looking for How To Set Up A Capacitor PDF? This is definitely going to save you time and cash in something you should think about.

Find How To Set Up A Capacitor :

little hawks new name

little britain daffyd key chain

little math readers units 123457 and 8

little mouse&39;s bedtime stories by taylor lis; petty colin

~~little lion of southwest a life of manuel antonio chaves~~

little men watermill

little of christmas joys

little bear at work and at play

little giant encyclopedia of natural healing

little ebay

literature and the american college

little girl is dead the rape murder of

literature links activites for gifted readers

~~little colonels christmas vacation~~

~~little birthday wishes a birthday~~

How To Set Up A Capacitor :

intelligence des ma c canismes ma c canismes de l copy - May 24 2022

web sep 24 2023 intelligence des ma c canismes ma c canismes de l 1 1 downloaded from uniport edu ng on september 24 2023 by guest conformity can be gotten by just

intelligence des ma c canismes ma c canismes de l - Jun 24 2022

web may 13 2023 entraînent sur une piste étonnante de clarté où l on rencontre des hommes politiques et d eglise de premier plan des artistes connus tous dans des rôles où on ne

intelligence des ma c canismes ma c canismes de l full pdf - Aug 07 2023

web l instinct ses rapports avec la vie et avec l intelligence nouveau dictionnaire de la conversation ou répertoire universel de toutes les connaissances nécessaires utiles

4 sınıf fen bilimleri canlılar ve yaşam testleri konu anlatımları - Apr 03 2023

web 4 sınıf fen bilimleri canlılar ve yaşam testleri canlılar ve yaşam konu anlatımı canlılar ve yaşam sunuları canlılar ve

yaşam dökümanları canlılar ve yaşam ders notları

[İklimin İnsan faaliyetlerine etkisi test sosyal bilgiler](#) - Jan 20 2022

web dec 11 2022 İslamiyetin doğuşu test 1 İslamiyetin doğuşu test 1 İslamiyetİN doĞuşu test 1 İndİR sosyal bilgiler 6 kültür ve miras testleri İslamiyetin doğuşu

intelligence des ma c canismes ma c canismes de l pdf - Jul 06 2023

web jun 7 2023 computer intelligence des ma c canismes ma c canismes de l is welcoming in our digital library an online access to it is set as public correspondingly you

[intelligence des ma c canismes ma c canismes de l pdf](#) - Nov 17 2021

web mar 2 2023 intelligence des ma c canismes ma c canismes de l pdf that you are looking for it will unquestionably squander the time however below in the same way as

[intelligence des ma c canismes ma c canismes de l pdf ftp](#) - Sep 27 2022

web intelligence des ma c canismes ma c canismes de l intelligence des individus et intelligence des sociétés democratization of intelligence de l intelligence

intelligence des ma c canismes ma c canismes de l pdf - May 04 2023

web intelligence des ma c canismes ma c canismes de l as recognized adventure as with ease as experience roughly lesson amusement as competently as pact can be gotten

[intelligence des ma c canismes ma c canismes de l pdf book](#) - Jun 05 2023

web jun 29 2023 canismes de l web intelligence des ma c canismes ma c canismes de l is available in our book collection an online access to it is set as public so you can of

[canı cananı bütün varımı alsın da huda istiklal marşının bu](#) - Apr 22 2022

web sep 24 2017 canı cananı bütün varımı alsın da huda istiklal marşının bu cümlesinde huda ve cananı kelimelerinin anlamları nelerdir cevabı gör sarı d kızıl 4 yıl boyunca

intelligence des ma c canismes ma c canismes de l pdf - Jul 26 2022

web intelligence des ma c canismes ma c canismes de l pdf introduction intelligence des ma c canismes ma c canismes de l pdf download only grand dictionnaire

intelligence des ma c canismes ma c canismes de l pdf pdf - Nov 29 2022

web l immense forge que sont les technologies et sp ciquement les biotechnologies les neurotechnologies les nanotechnologies et l intelligence artificielle tous les l ments

[küresel ısınma hayvanların davranışlarını bozdu cnn tÜrk](#) - Mar 02 2023

web dec 12 2016 İklim değişikliği ve küresel ısınmanın hayvanlar üzerindeki etkisini gözlemleyen bilim adamları ilginç

sonuçlara ulaştı İşte çeşitli verilerden derlediğimiz

[intelligence des ma c canismes ma c canismes de l full pdf](#) - Dec 31 2022

web on line pronouncement intelligence des ma c canismes ma c canismes de l as competently as evaluation them wherever you are now les mondes 1869 grotesque

[intelligence des ma c canismes ma c canismes de l](#) - Aug 27 2022

web revue de théologie et de philosophie chrétienne continued as nouvelle revue de théologie continued as revue de théologie les annales politiques et littéraires

intelligence des ma c canismes ma c canismes de l pdf - Oct 09 2023

web sep 12 2023 aux lettres aux arts à l histoire à la géographie etc avec la biographie des principaux personnages de savants et d artistes société de littérateurs une 1843

intelligence des ma c canismes ma c canismes de l - Feb 01 2023

web intelligence des ma c canismes ma c canismes de l 3 3 cement his early work laid the foundations of our understanding of the structure at the nanometre level of c s h the

intelligence des ma c canismes ma c canismes de l - Dec 19 2021

web this intelligence des ma c canismes ma c canismes de l as one of the most on the go sellers here will unquestionably be in the course of the best options to review

intelligence des ma c canismes ma c canismes de l pdf - Sep 08 2023

web merely said the intelligence des ma c canismes ma c canismes de l is universally compatible with any devices to read question d intelligence florence pinaud 2017 08

intelligence des ma c canismes ma c canismes de l copy - Oct 29 2022

web recognizing the pretentiousness ways to get this books intelligence des ma c canismes ma c canismes de l is additionally useful you have remained in right site to begin

[5 sınıf İklim ve İnsan test testimiz com](#) - Feb 18 2022

web dec 2 2022 test Çöz 5 sınıf İklim ve İnsan test pdf İndir category 5 sınıf sosyal bilgiler konu testleri tags 5 sınıf sosyal bilgiler 3 Ünite İklimin İnsan faaliyetlerine etkisi 5

intelligence des ma c canismes ma c canismes de l 2022 - Mar 22 2022

web 4 intelligence des ma c canismes ma c canismes de l 2021 03 02 species to gain an evolutionary perspective a horseman himself leblanc also considers the opinions of

[ican study pack for information technology uniport edu](#) - May 31 2022

web aug 19 2023 to start getting this info acquire the ican study pack for information technology join that we have the

funds for here and check out the link you could

ican study pack download for all - Aug 14 2023

web right here on this page you will have access to ican study pack across all levels foundation skills and professionals simply navigate to your current level then fill in your

ican study pack for information technology pdf 2023 red ortax - Sep 03 2022

web ican study pack for information technology projects information pack jun 01 2021 mmr discussion pack apr 23 2023 this pack has been produced to help professionals

free download 2021 syllabus latest ican study packs - Sep 22 2021

ican study pack for information technology uniport edu - Dec 26 2021

ican study pack for information technology uniport edu - Oct 24 2021

ican study pack for information technology pdf - Jul 01 2022

web mar 18 2023 ican study pack for information technology 1 6 downloaded from uniport edu ng on march 18 2023 by guest ican study pack for information

ican study pack for information technology pdf uniport edu - Apr 29 2022

web aug 31 2021 you have to be up to date as ican as a body will be reviewing study packs every year as said we shall be updating this post as per the 2021 syllabus latest ican

free download ican study packs past questions - Jan 07 2023

web may 5 2023 ican study pack for information technology 3 6 downloaded from uniport edu ng on may 5 2023 by guest information systems and technologies

ican study pack for information technology copy - Jan 27 2022

download all ican packs past questions and answers - Apr 10 2023

web the internet television email and other new forms of information technology are changing at a rapid pace with potentially profound but also subtle influences on social life this

man 63 ican companion study pack information - Feb 08 2023

web ican study pack for information technology to read or not to read a question of national consequence introduction to strategic planning self study guide for llb

ican study pack click here to download the new syllabus - May 11 2023

web atswa insight part i 2014 2023 1 500 00 add to cart ican past questions

ican study packs naija varcity - Oct 04 2022

web jun 11 2023 ican study pack for information technology 1 7 downloaded from uniport edu ng on june 11 2023 by guest
ican study pack for information

ican study pack for information technology app oaklandlibrary - Aug 02 2022

web enjoy now is ican study pack for information technology below management information systems gerald v post 2000
lecture notes in powerpoint slides chapter

download ican examination study packs for - Dec 06 2022

web aug 20 2023 ican study pack for information technology is available in our digital library an online access to it is set as
public so you can get it instantly our digital library

ican study pack for information technology 2023 - Nov 05 2022

web ican study pack for information technology right here we have countless books ican study pack for information
technology and collections to check out we additionally

ican study pack for information technology book - Mar 29 2022

professional students learning materials icanig org - Jul 13 2023

web ican study pack for information technology statbase jun 08 2021 projects information pack jan 04 2021 information
technology feb 14 2022 pc arc info

students icanig org - Jun 12 2023

web ican study pack for information technology integrating information technology and management for quality of care apr
09 2020 the impact of information technology

ican study pack for information technology uniport edu - Feb 25 2022

ican study pack for information technology 2023 - Mar 09 2023

web 4 ican study pack for information technology 2020 02 08 icts computer science 038 exam secrets helps you ace the
illinois certification testing system without

ican study pack for information technology uniport edu - Nov 24 2021

pmp pocket guide the ultimate pmp exam cheat sheets pmbok guide - Mar 10 2023

web pmp pocket guide the ultimate pmp exam cheat sheets pmbok guide 6th edition goodrich belinda 9780997598360 books amazon ca

[pmp pocket guide the ultimate pmp exam cheat sheets pmbok guide](#) - Jul 14 2023

web pmp pocket guide the ultimate pmp exam cheat sheets pmbok guide 6th edition goodrich belinda amazon com tr kitap *pmp pocket guide the ultimate pmp exam cheat sheets pmbok guide* - May 12 2023

web jan 12 2019 pmp pocket guide the ultimate pmp exam cheat sheets pmbok guide 6th edition kindle edition by belinda goodrich author format kindle edition 4 2 out of 5 stars 49 ratings

pmp pocket guide the ultimate pmp exam cheat sheets pmbok guide - Aug 03 2022

web pmp pocket guide the ultimate pmp exam cheat sheets pmbok guide 6th edition goodrich belinda isbn 9780997598360 kostenloser versand für alle bücher mit versand und verkauf duch amazon

pmp cheat sheet to use in 2023 and beyond pmp exam prep pocket guide - Feb 26 2022

web receive all the pmp terms formulas and conceptualized that you must to clear the pmp exam the a handy pmp cheat sheet there are many riddle questions in the pmp exam get all the pmp terms formulas and concepts that you necessity toward clear the pmp exam in one handy pmp cheat sheet

[pmp pocket guide the ultimate pmp exam cheat sheets pmbok guide](#) - Aug 15 2023

web feb 15 2018 build your exam preparation confidence with this exceptional pmp quick reference study guide this supplemental tool is a key weapon in your pmp exam preparation arsenal the concise summaries of all of the important concepts are essential to passing the pmp exam

pmp exam prep eleventh edition pmp pocket guide the ultimate pmp - Jul 02 2022

web 2023 exam ready fully aligned to the current pmp reg eco ultimate one source prep guide includes all you need to pass the exam new agile hybrid amp predictive content exclusive tricks of the trade reg test taking tips new pmp prep tools case studies amp practice exam questions 30 years of exam prep training hundreds of thousands of pms

pmp pocket guide the ult yumpu - Dec 27 2021

web jul 3 2022 pocket guide the ultimate pmp exam cheat sheets pmbok guide 6th edition are significant composing tasks that writers love to get their crafting teeth into theyre easy to format for the reason that there wont be any paper webpage problems to worry about and they are quick to

[amazon com customer reviews pmp pocket guide the ultimate pmp exam](#) - Jan 28 2022

web find helpful customer reviews and review ratings for pmp pocket guide the ultimate pmp exam cheat sheets pmbok guide 6th edition at amazon com read honest and unbiased product reviews from our users

pmp pocket guide the ultimate pmp exam cheat sheets goodreads - Feb 09 2023

web jan 12 2019 build your exam preparation confidence with this exceptional pmp quick reference study guide this supplemental tool is a key weapon in your pmp exam preparation arsenal the concise summaries of all of the important concepts are essential to passing the pmp exam 70 pages kindle edition

download pdf pmp pocket guide the ultimate pmp exam cheat sheets - Apr 30 2022

web mar 17 2020 pdf download pmp pocket guide the ultimate pmp exam cheat sheets free acces pdf ebook download epub mobi kindle audiobook en english deutsch français español português italiano român nederlands latina dansk svenska norsk magyar bahasa indonesia türkçe suomi latvian lithuanian česk

download pdf pmp pocket guide the ultimate pmp exam cheat sheets - Jun 01 2022

web pdf download pmp pocket guide the ultimate pmp exam cheat sheets free acces pdf ebook download epub mobi kindle [pmp pocket guide the ultimate pmp exam cheat sheets books](#) - Apr 11 2023

web pmp pocket guide the ultimate pmp exam cheat sheets books build your exam preparation confidence with this exceptional pmp quick reference study guide this supplemental tool is a key weapon in your pmp exam preparation arsenal the concise summaries of all of the important concepts are essential to passing the pmp exam

pmp pocket guide the ultimate pmp exam cheat sheets pmbok guide - Mar 30 2022

web pmp pocket guide the ultimate pmp exam cheat sheets pmbok guide 6th edition kindle edition by belinda goodrich author format kindle edition 40 ratings see all formats and editions kindle edition 0 00 this title and over 1 million more available with kindle unlimited 422 00 to buy paperback

pmp pocket guide the ultimate pmp exam cheat sheets pmbok guide - Oct 05 2022

web build your exam preparation confidence with this exceptional pmp quick reference study guide this supplemental tool is a key weapon in your pmp exam preparation arsenal the concise summaries of all of the important concepts are essential to passing the pmp exam

pmp pocket guide the ultimate pmp exam cheat sheets pmbok guide - Jan 08 2023

web abebooks com pmp pocket guide the ultimate pmp exam cheat sheets pmbok guide 6th edition 9780997598360 by goodrich belinda and a great selection of similar new used and collectible books available now at great prices

[pmp pocket guide the ultimate pmp exam cheat sheets](#) - Jun 13 2023

web jan 1 2016 paperback january 1 2016 build your exam preparation confidence with this exceptional pmp quick reference study guide this supplemental tool is a key weapon in your pmp exam preparation arsenal the concise summaries of all of the important concepts are essential to passing the pmp exam

pmp pocket guide the ultimate pmp exam cheat sheets pmbok guide - Dec 07 2022

web build your exam preparation confidence with this exceptional pmp quick reference study guide this supplemental tool is

a key weapon in your pmp exam preparation arsenal the concise summaries of all of the important concepts are essential to passing the pmp exam includes the pmbok r guide framework descriptions of all 49 processes

pmp cheat sheet to use in 2023 and beyond knowledgehut - Nov 06 2022

web sep 5 2023 a pmp cheat sheet we ve gathered industry experts with vast experience in project management and asked them to compile a comprehensive list of pmp terms formulas and concepts into a neat little pmp cheat sheet for you to use as a learning tool as you prepare to write the pmp exam know more about importance of project charter

pmp pocket guide the ultimate pmp exam cheat sheets - Sep 04 2022

web build your exam preparation confidence with this exceptional pmp quick reference study guide pmp pocket guide the ultimate pmp exam cheat sheets by pmi sp belinda s fremouw pmp pmi rmp goodreads