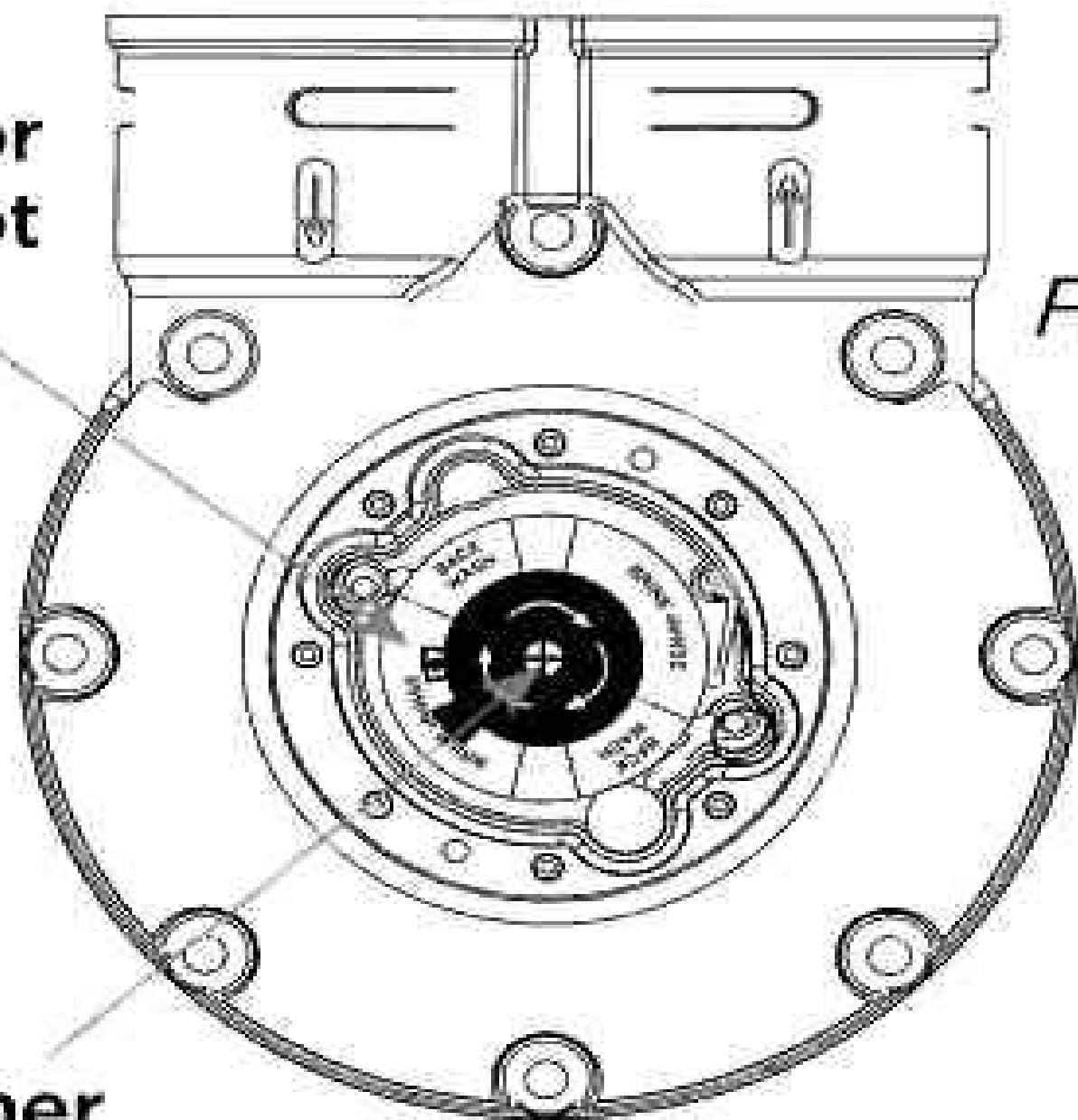


**Indicator  
Dot**



*Fig. 4*

**Softener  
Valve Screw**

# Mini Max Water Softener Manual Model 60

**Yijin Wang**



**Mini Max Water Softener Manual Model 60:**

This is likewise one of the factors by obtaining the soft documents of this **Mini Max Water Softener Manual Model 60** by online. You might not require more time to spend to go to the books foundation as without difficulty as search for them. In some cases, you likewise reach not discover the declaration Mini Max Water Softener Manual Model 60 that you are looking for. It will certainly squander the time.

However below, considering you visit this web page, it will be fittingly totally easy to get as with ease as download lead Mini Max Water Softener Manual Model 60

It will not recognize many grow old as we tell before. You can reach it even though perform something else at house and even in your workplace. appropriately easy! So, are you question? Just exercise just what we allow under as skillfully as evaluation **Mini Max Water Softener Manual Model 60** what you next to read!

[https://staging.conocer.cide.edu/data/publication/index.jsp/How\\_To\\_Create\\_Documentation.pdf](https://staging.conocer.cide.edu/data/publication/index.jsp/How_To_Create_Documentation.pdf)

## **Table of Contents Mini Max Water Softener Manual Model 60**

1. Understanding the eBook Mini Max Water Softener Manual Model 60
  - The Rise of Digital Reading Mini Max Water Softener Manual Model 60
  - Advantages of eBooks Over Traditional Books
2. Identifying Mini Max Water Softener Manual Model 60
  - Exploring Different Genres
  - Considering Fiction vs. Non-Fiction
  - Determining Your Reading Goals
3. Choosing the Right eBook Platform
  - Popular eBook Platforms
  - Features to Look for in an Mini Max Water Softener Manual Model 60
  - User-Friendly Interface
4. Exploring eBook Recommendations from Mini Max Water Softener Manual Model 60

- Personalized Recommendations
  - Mini Max Water Softener Manual Model 60 User Reviews and Ratings
  - Mini Max Water Softener Manual Model 60 and Bestseller Lists
5. Accessing Mini Max Water Softener Manual Model 60 Free and Paid eBooks
    - Mini Max Water Softener Manual Model 60 Public Domain eBooks
    - Mini Max Water Softener Manual Model 60 eBook Subscription Services
    - Mini Max Water Softener Manual Model 60 Budget-Friendly Options
  6. Navigating Mini Max Water Softener Manual Model 60 eBook Formats
    - ePub, PDF, MOBI, and More
    - Mini Max Water Softener Manual Model 60 Compatibility with Devices
    - Mini Max Water Softener Manual Model 60 Enhanced eBook Features
  7. Enhancing Your Reading Experience
    - Adjustable Fonts and Text Sizes of Mini Max Water Softener Manual Model 60
    - Highlighting and Note-Taking Mini Max Water Softener Manual Model 60
    - Interactive Elements Mini Max Water Softener Manual Model 60
  8. Staying Engaged with Mini Max Water Softener Manual Model 60
    - Joining Online Reading Communities
    - Participating in Virtual Book Clubs
    - Following Authors and Publishers Mini Max Water Softener Manual Model 60
  9. Balancing eBooks and Physical Books Mini Max Water Softener Manual Model 60
    - Benefits of a Digital Library
    - Creating a Diverse Reading Collection Mini Max Water Softener Manual Model 60
  10. Overcoming Reading Challenges
    - Dealing with Digital Eye Strain
    - Minimizing Distractions
    - Managing Screen Time
  11. Cultivating a Reading Routine Mini Max Water Softener Manual Model 60
    - Setting Reading Goals Mini Max Water Softener Manual Model 60
    - Carving Out Dedicated Reading Time
  12. Sourcing Reliable Information of Mini Max Water Softener Manual Model 60

- Fact-Checking eBook Content of Mini Max Water Softener Manual Model 60
  - Distinguishing Credible Sources
13. Promoting Lifelong Learning
- Utilizing eBooks for Skill Development
  - Exploring Educational eBooks
14. Embracing eBook Trends
- Integration of Multimedia Elements
  - Interactive and Gamified eBooks

### **Mini Max Water Softener Manual Model 60 Introduction**

In the digital age, access to information has become easier than ever before. The ability to download Mini Max Water Softener Manual Model 60 has revolutionized the way we consume written content. Whether you are a student looking for course material, an avid reader searching for your next favorite book, or a professional seeking research papers, the option to download Mini Max Water Softener Manual Model 60 has opened up a world of possibilities. Downloading Mini Max Water Softener Manual Model 60 provides numerous advantages over physical copies of books and documents. Firstly, it is incredibly convenient. Gone are the days of carrying around heavy textbooks or bulky folders filled with papers. With the click of a button, you can gain immediate access to valuable resources on any device. This convenience allows for efficient studying, researching, and reading on the go. Moreover, the cost-effective nature of downloading Mini Max Water Softener Manual Model 60 has democratized knowledge. Traditional books and academic journals can be expensive, making it difficult for individuals with limited financial resources to access information. By offering free PDF downloads, publishers and authors are enabling a wider audience to benefit from their work. This inclusivity promotes equal opportunities for learning and personal growth. There are numerous websites and platforms where individuals can download Mini Max Water Softener Manual Model 60. These websites range from academic databases offering research papers and journals to online libraries with an expansive collection of books from various genres. Many authors and publishers also upload their work to specific websites, granting readers access to their content without any charge. These platforms not only provide access to existing literature but also serve as an excellent platform for undiscovered authors to share their work with the world. However, it is essential to be cautious while downloading Mini Max Water Softener Manual Model 60. Some websites may offer pirated or illegally obtained copies of copyrighted material. Engaging in such activities not only violates copyright laws but also undermines the efforts of authors, publishers, and researchers. To ensure ethical downloading, it is advisable to utilize reputable websites that prioritize the legal distribution of content. When downloading Mini Max Water Softener Manual

Model 60, users should also consider the potential security risks associated with online platforms. Malicious actors may exploit vulnerabilities in unprotected websites to distribute malware or steal personal information. To protect themselves, individuals should ensure their devices have reliable antivirus software installed and validate the legitimacy of the websites they are downloading from. In conclusion, the ability to download Mini Max Water Softener Manual Model 60 has transformed the way we access information. With the convenience, cost-effectiveness, and accessibility it offers, free PDF downloads have become a popular choice for students, researchers, and book lovers worldwide. However, it is crucial to engage in ethical downloading practices and prioritize personal security when utilizing online platforms. By doing so, individuals can make the most of the vast array of free PDF resources available and embark on a journey of continuous learning and intellectual growth.

### **FAQs About Mini Max Water Softener Manual Model 60 Books**

How do I know which eBook platform is the best for me? Finding the best eBook platform depends on your reading preferences and device compatibility. Research different platforms, read user reviews, and explore their features before making a choice. Are free eBooks of good quality? Yes, many reputable platforms offer high-quality free eBooks, including classics and public domain works. However, make sure to verify the source to ensure the eBook credibility. Can I read eBooks without an eReader? Absolutely! Most eBook platforms offer webbased readers or mobile apps that allow you to read eBooks on your computer, tablet, or smartphone. How do I avoid digital eye strain while reading eBooks? To prevent digital eye strain, take regular breaks, adjust the font size and background color, and ensure proper lighting while reading eBooks. What the advantage of interactive eBooks? Interactive eBooks incorporate multimedia elements, quizzes, and activities, enhancing the reader engagement and providing a more immersive learning experience. Mini Max Water Softener Manual Model 60 is one of the best book in our library for free trial. We provide copy of Mini Max Water Softener Manual Model 60 in digital format, so the resources that you find are reliable. There are also many Ebooks of related with Mini Max Water Softener Manual Model 60. Where to download Mini Max Water Softener Manual Model 60 online for free? Are you looking for Mini Max Water Softener Manual Model 60 PDF? This is definitely going to save you time and cash in something you should think about. If you trying to find then search around for online. Without a doubt there are numerous these available and many of them have the freedom. However without doubt you receive whatever you purchase. An alternate way to get ideas is always to check another Mini Max Water Softener Manual Model 60. This method for see exactly what may be included and adopt these ideas to your book. This site will almost certainly help you save time and effort, money and stress. If you are looking for free books then you really should consider finding to assist you try this. Several of Mini Max Water

Softener Manual Model 60 are for sale to free while some are payable. If you arent sure if the books you would like to download works with for usage along with your computer, it is possible to download free trials. The free guides make it easy for someone to free access online library for download books to your device. You can get free download on free trial for lots of books categories. Our library is the biggest of these that have literally hundreds of thousands of different products categories represented. You will also see that there are specific sites catered to different product types or categories, brands or niches related with Mini Max Water Softener Manual Model 60. So depending on what exactly you are searching, you will be able to choose e books to suit your own need. Need to access completely for Campbell Biology Seventh Edition book? Access Ebook without any digging. And by having access to our ebook online or by storing it on your computer, you have convenient answers with Mini Max Water Softener Manual Model 60 To get started finding Mini Max Water Softener Manual Model 60, you are right to find our website which has a comprehensive collection of books online. Our library is the biggest of these that have literally hundreds of thousands of different products represented. You will also see that there are specific sites catered to different categories or niches related with Mini Max Water Softener Manual Model 60 So depending on what exactly you are searching, you will be able to choose ebook to suit your own need. Thank you for reading Mini Max Water Softener Manual Model 60. Maybe you have knowledge that, people have search numerous times for their favorite readings like this Mini Max Water Softener Manual Model 60, but end up in harmful downloads. Rather than reading a good book with a cup of coffee in the afternoon, instead they juggled with some harmful bugs inside their laptop. Mini Max Water Softener Manual Model 60 is available in our book collection an online access to it is set as public so you can download it instantly. Our digital library spans in multiple locations, allowing you to get the most less latency time to download any of our books like this one. Merely said, Mini Max Water Softener Manual Model 60 is universally compatible with any devices to read.

### **Find Mini Max Water Softener Manual Model 60 :**

[how to create documentation](#)

[how to draw a wiring diagram for a house](#)

**how to become like christ**

[how to adjust headlights on 2011 buick enclave](#)

**how to check manual transmission oil level for 97 vw jetta**

[how much to replace wheel bearing](#)

[how to draw a car step by step](#)

[how to convert manual transmission car to automatic](#)

[how to become a learning machine how to s book 24](#)



*how to fix ed plastic*

~~how to convert to word in adobe acrobat 8 professional~~

how to cite a lab manual in scientific paper

**how to drive a manual transmission car**

how to get a gemex report

*how to copy and paste text from a*

**Mini Max Water Softener Manual Model 60 :**

**legs spread face down search xnxx com** - Jul 10 2023

web krissy lynn decides to have a little fun by stripping down and trying on sexy underwear and heels in front of a window 1 7m 100 6min 720p stepdad and elena koshka on hot

**lying face down spread legs hdpicsx com** - Aug 31 2022

web lying face down spread legs 769x512 image and much more on hdpicsx com hd pics x playboy nudes pegging captions hairy girl xxx big tits lying face

*naked women legs spread wide open porn pics pornpics com* - Mar 06 2023

web check out the best spread legs porn pics for free on pornpics com find the hottest naked women spreading their legs xxx photos right now

**legs spread face down search xnxx com** - Dec 23 2021

web 384 9k 100 8min 1080p the life erotic kinky cutie clamps her pussy lips and tugs as she masturbates 9 2k 82 11min 1080p sexy darcy dark spreads her legs to get

**free laying down legs spread porn photo galleries xhamster** - May 08 2023

web watch newest laying down legs spread porn photo galleries for free on xhamster com download fresh laying down legs spread xxx photo series now

*laying down porn pics naked photos pornpics com* - Dec 03 2022

web grab the hottest laying down porn pictures right now at pornpics com new free laying down photos added every day

**mature women spreading porn pics pornpics com** - Jul 30 2022

web mature open pussy mature ass spread mature bent over curvy spreading granny spreading teen spreading hairy mature feedback check out the best naked mature

**laying face down with legs spread search xvideos com** - Jun 28 2022

web 62 931 laying face down with legs spread free videos found on xvideos for this search

**face down on bed solo legs spread search xnxx com** - Feb 05 2023

web busty milf red looks very inviting in sexy lingerie and even more with her legs spread wide on the bed brand new video available in full hd 1080p bonus video english mature

*hairy laying face down on bed and spread xhamster* - Oct 01 2022

web hairy laying face down on bed and spread explore tons of xxx videos with sex scenes in 2023 on xhamster

**milf laying down porn pics naked photos pornpics com** - Jan 04 2023

web grab the hottest milf laying down porn pictures right now at pornpics com new free milf laying down photos added every day

*spread on bed pics sex com* - Jun 09 2023

web browse the largest collection of spread on bed pics on the web pics videos pics gifs boards users mr porn geek sexy ass and pussy inviting on brunette face up on bed

**face down legs spread porn pics naked photos pornpics com** - Nov 02 2022

web grab the hottest face down legs spread porn pictures right now at pornpics com new free face down legs spread photos added every day

**video shows moment kidnapped woman begs hamas fighters** - Nov 21 2021

web disturbing video shows a 25 year old woman begging hamas fighters not to kill her as she s taken hostage and driven into gaza on a motorbike maria noyen palestinians ride on

8 457 women with legs spread stock photos high res pictures - Oct 21 2021

web browse 8 452 women with legs spread photos and images available or start a new search to explore more photos and images browse getty images premium collection of high

**face down legs spread porn videos pornhub com** - May 28 2022

web watch face down legs spread porn videos for free here on pornhub com discover the growing collection of high quality most relevant xxx movies and clips no other sex

*laying down with legs spread search xnxx com* - Feb 22 2022

web laying on back with legs spread in the air big tits solo german blonde katja kassin takes big dick machine in the ass while vibrating clit with magic wand 105 8k 100 5min 720p

**lying face down legs spread xnxx adult forum** - Jan 24 2022

web oct 29 2010 the picture has to contain you and forum name on piece of paper or on your body and your username or my username instead of the website name if you prefer that

*face down legs spread xhamster* - Apr 07 2023

web face down legs spread explore tons of xxx videos with sex scenes in 2023 on xhamster  
*face down on bed solo legs spread search xvideos com* - Apr 26 2022

web 71 632 face down on bed solo legs spread free videos found on xvideos for this search  
legs spread pics sex com - Aug 11 2023

web legs spread blonde big tits legs spread non nude legs spread heels sex com is updated by our users community with new legs spread pics every day we have the

**lying down legs spread porn pics naked photos pornpics com** - Sep 12 2023

web lying down legs spread porn pics grab the hottest lying down legs spread porn pictures right now at pornpics com new free lying down legs spread photos

**laying face down porn pics naked photos pornpics de** - Mar 26 2022

web laying face down porn pics most popular face down koika legs up face down ass up university laying on stomach sheena shaw hairy mature anal maserati xxx tied

*security analysis and portfolio management mcq quiz* - Apr 18 2022

web aug 5 2023 get portfolio multiple choice questions mcq quiz with answers and detailed solutions download these free portfolio mcq quiz pdf and prepare for your

portfolio management mcq free pdf objective question - Oct 05 2023

web oct 16 2023 get portfolio management multiple choice questions mcq quiz with answers and detailed solutions download these free portfolio management mcq

*investment analysis and portfolio management tybms finance sem v* - Aug 23 2022

web mar 11 2023 answer a q2 is a method used to evaluate the worth of security by studying the financial data of the issues a security analysis b fundamental analysis c performance analysis d none of the above view answer answer b q3 ipo stands

for a internal public office b initial public office c initial public offer

security analysis and portfolio management financial - Nov 13 2021

**notes on security analysis and portfolio management pdf mcqs** - May 20 2022

web jul 11 2023 1 the net wealth of the aggregate economy is equal to the sum of a all real assets b all financial assets c all physical assets d all real and financial assets e

**portfolio risk management mcq quiz pdf questions** - Feb 14 2022

web dec 2 2022 to help you prepare for your portfolio manager interview here are some questions with example answers 1 what would you consider to be your management

**security analysis and portfolio management solved mcqs** - Sep 04 2023

web solved mcqs for security analysis and portfolio management with pdf download and free mock test

**quiz worksheet project portfolio management study com** - Apr 30 2023

web use the worksheet and quiz to practice the following reading comprehension ensure that you draw the most important information from the related lesson on project portfolio management

**portfolio mcq free pdf objective question answer for** - Mar 18 2022

web mcq the risk on a stock portfolio which cannot be eliminated or reduced by placing it in diversified portfolio is classified as a diversifiable risk b market risk c stock risk d

pmi portfolio management sample questions and - Oct 25 2022

web multiple choice questions and answers on investment analysis and portfolio management quiz answers pdf 3 to learn mba courses for online mba programmes investment

**330 investment management solved mcqs with pdf download** - Feb 26 2023

web tags question and answers in investment management investment management multiple choice questions and answers investment management important mcqs

**portfolio management test vskills practice questions** - Jan 28 2023

web learn portfolio management take test with mcq on sharpe measure call option security analysis derivative securities and more certify now

investment analysis and portfolio management mcq questions - Dec 27 2022

web investment analysis and portfolio management quiz questions and answers pdf political stability quiz capital market line quiz portfolio quiz financial risk quiz corporate bond

*50 mcqs on security analysis and portfolio management* - Aug 03 2023

web a professional portfolio manager b active portfolio manager c passive portfolio manager d none answer b 40 a liquid asset may a be converted into cash b be

**portfolio manager questions vskills practice tests** - Mar 30 2023

web portfolio revision questions take vskills practice test in portfolio management with mcq on equity portfolio capital market portfolio analysis etc upgrade your

**securities analysis and portfolio management pdf mcqs for 2024** - Jul 22 2022

web security analysis portfolio management grill please tick an appropriate answer for all the multiple choice questions mcq time 30 min 1 is the commitment of

portfolio analysis mcq quiz pdf questions answers - Nov 25 2022

web the book portfolio analysis multiple choice questions mcq quiz portfolio analysis quiz answers pdf to learn online courses financial management tests study risk return

[investment risk and portfolio management mcqs accounting mcqs](#) - Dec 15 2021

web may 16 2023 is one who exercises any degree of discretion as to the investment or management of the portfolio of the securities or the funds of the client

**61 portfolio manager interview questions with answers** - Jan 16 2022

web investment risk and portfolio management accounting mcqs and answers to all questions learn accounting for free

[300 top security analysis portfolio management mcqs and](#) - Jul 02 2023

web 300 top security analysis portfolio management mcqs and answers security analysis and portfolio management multiple choice questions 1 is putting money

[investment analysis and portfolio management multiple](#) - Jun 01 2023

web the expected worth is the multiple choice questions mcq on investment analysis and portfolio management with choices correlation between a security inverse of the

[security analysis amp portfolio management grill studocu](#) - Jun 20 2022

web jul 29 2023 security analysis and portfolio management mcq 1 do not directly contribute to the productive capacity of the economy ans financial assets 2 the value

**investment analysis and portfolio management multiple** - Sep 23 2022

web sample questions multiple choice questions if there is an increase in interest rates than the fixed interest rate of the corporate bond will return to the corporation decrease in value remain unchanged increase in value which one of the following is shown first when the assets are arranged in the order of their liquidity investment

**trains across america 2020 helpdesk bricksave** - Mar 22 2022

web trains across america 2020 1 trains across america 2020 kraus recreation and leisure in modern society hopping freight trains in america the great railroad revolution riding the academic freedom train solar energy in america s future six faces of globalization lossan los angeles to san diego proposed rail corridor

**top 3 cross country train rides across america** - Feb 18 2022

web jul 12 2021 these three vacations feature cross country train rides that are a great way to travel across america and make memories that are sure to last a lifetime 1 pacific rail experience take an incredible cross country train ride when you book the pacific rail experience which features three famous amtrak train routes southwest chief coast

**wonders of america by rail amtrak vacations** - Jul 26 2022

web experience some of the incredible sights in america by train including five national parks grand canyon zion capitol reef

bryce canyon and yellowstone

**amtrak vacations train tours vacation packages** - Dec 31 2022

web aug 11 2023 with amtrak vacations you can discover the most stunning destinations across the u s canada by rail  
browse train travel amtrak routes and rail vacation packages

trains across america 2020 by trains trains magazine - Sep 27 2022

web trains across america 2020 book read reviews from world s largest community for readers the trains across america  
2020 calendar features curated images

**usa rail journeys american train trips 2024 2025 seasons** - Apr 22 2022

web view all 10 rail journeys take a transcontinental rail journey from san francisco to new york find out how the west was  
won on the scenic rio grande railroad and the historic trains of colorado make tracks through the deep south or capture the  
colour of new england in the fall

*train vacations in usa tours vacation packages in america* - Aug 27 2022

web each train vacation in america incorporates iconic train journeys into a well planned itinerary that also includes visits to  
popular destinations comprehensive sightseeing incredible routes and more choose from train trips in alaska popular usa  
coast to coast vacations fall foliage tours or visits to america s national parks by train

*travel planning map amtrak* - Mar 02 2023

web skip to content skip to buy tickets amtrak interactive travel planning map

**read pdf trains across america 2020 by rebe margono issuu** - Nov 29 2022

web jul 25 2023 11 minutes ago read pdf trains across america 2020 the trains across america 2020 calendar features  
curated images from the pages of trains magazine beautifully photographed for visual issuu

**6 amazing train journeys across the usa emily luxton travels** - Aug 07 2023

web oct 4 2023 the epic 3 000 mile coast to coast train across the usa takes three nights without stopovers and involves two  
trains on the east coast your starting point can either be new york city or washington dc from whichever city you choose you  
can take an overnight train to chicago the lake shore limited from nyc or the capitol limited

**9 incredible train trips to take across america worldatlas** - May 24 2022

web this article looks at the nine incredible train trips to take across america amtrak cascades amtrak s empire builder  
overnight passenger train from chicago to seattle passes through index washington in the cascade mountains on the final leg  
of its journey

**top 4 epic train ride adventures across america youtube** - Jun 24 2022

web sep 27 2017 we found some epic train trips that combine the old school pleasure of riding the rails with fun and

gorgeous scenery kristina guerrero has the three best train adventures across america all  
*usa rail holidays escorted tours trips great rail journeys* - Apr 03 2023

web usa rail holidays regarded as industry leaders we at great rail journeys take pride in our expertise in crafting immersive  
tours across the usa this expansive country with its diverse landscapes and cultures poses a unique challenge that we relish  
creating a journey that encapsulates the american spirit one region at a time

amtrak train vacations all inclusive packages deals - Feb 01 2023

web amtrak vacations combines the thrill of riding the rails with inclusive vacation packages for one of a kind travel  
experiences throughout north america travel to amazing cities scenic landscapes and spectacular national parks with the  
option to depart from the more than 500 amtrak rail stations across the country

*trains across america 2020 magazine trains trains* - Jul 06 2023

web jun 1 2019 the trains across america 2020 calendar features curated images from the pages of trains magazine  
beautifully photographed for visual impact each image captures a moving train at a scenic location around the country

*how to ride amtrak trains across the us vox* - Oct 29 2022

web sep 26 2022 american trains aren t great but you should still take them anyway long distance trains in the us are very  
slow but it s much more environmentally friendly and rewarding

**here s how to take a loop of the entire us by train lonely planet** - Jun 05 2023

web feb 12 2020 2 min read the train journeys wull take passengers through beautiful countryside amtrak emily moser if the  
idea of travelling in a loop around the us by train appeals a new itinerary has been published that outlines exactly how you  
can do it

long distance trains discounts sleeping car more amtrak - Oct 09 2023

web amtrak is 47 percent more energy efficient than traveling by car and 33 percent more energy efficient than domestic air  
travel treat yourself to an amtrak train ride across the country to over 500 destinations learn all about ticket deals sleeping  
car options seating options and more

**amtrak routes stations** - May 04 2023

web with more than 30 train routes throughout the united states and some in canada amtrak travels to over 500 destinations  
in 46 states giving you the best views north america has to offer whether you want to visit big cities small towns or places  
you can only see by rail amtrak can take you there

*america coast to coast train vacations across the usa by rail* - Sep 08 2023

web usa coast to coast by train see the very best of america from coast to coast by rail our cross country tours travel along  
legendary rail routes and present miles upon miles of extraordinary views while traveling between the country s most

popular destinations