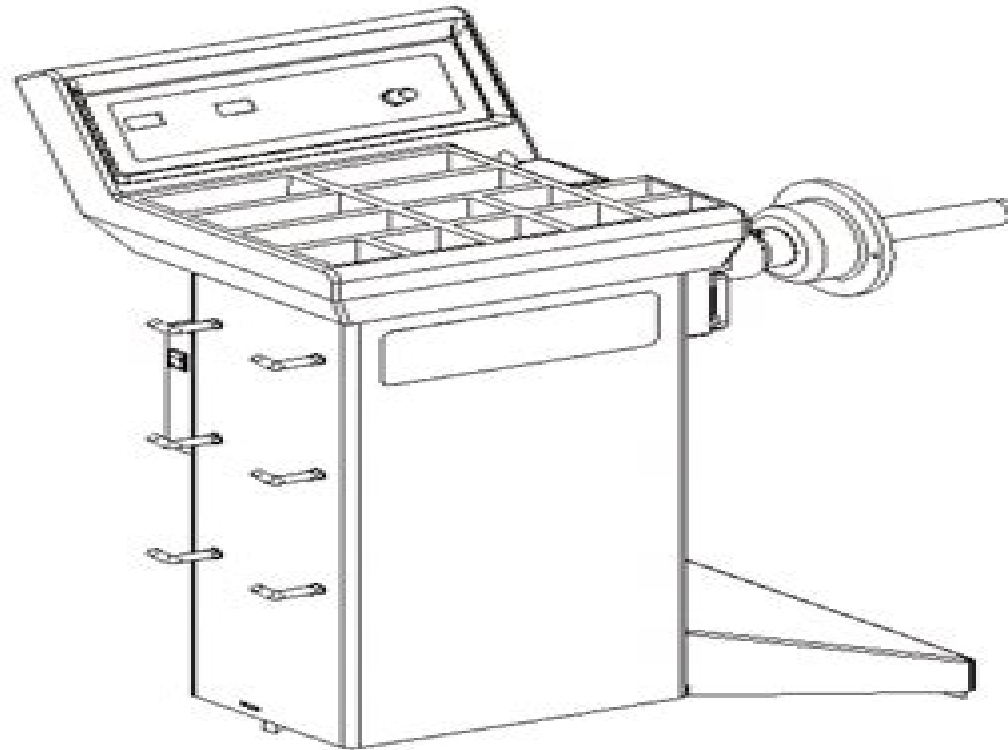


Service Manual

DSP 7700 Wheel Balancer



Hunter Wheel Balancer Dsp 9100 Manual

Singer Motors Ltd



Hunter Wheel Balancer Dsp 9100 Manual:

Hunter Lite-A-Line Wheel Aligner Hunter Engineering Company,1962
Singer Motors Ltd,1950

Hunter Technical Service Manual

Hunter Wheel Balancer Dsp 9100 Manual: Bestsellers in 2023 The year 2023 has witnessed a noteworthy surge in literary brilliance, with numerous captivating novels enthraling the hearts of readers worldwide. Lets delve into the realm of bestselling books, exploring the captivating narratives that have captivated audiences this year. Hunter Wheel Balancer Dsp 9100 Manual : Colleen Hoover's "It Ends with Us" This poignant tale of love, loss, and resilience has captivated readers with its raw and emotional exploration of domestic abuse. Hoover expertly weaves a story of hope and healing, reminding us that even in the darkest of times, the human spirit can succeed. Hunter Wheel Balancer Dsp 9100 Manual : Taylor Jenkins Reids "The Seven Husbands of Evelyn Hugo" This spellbinding historical fiction novel unravels the life of Evelyn Hugo, a Hollywood icon who defies expectations and societal norms to pursue her dreams. Reids compelling storytelling and compelling characters transport readers to a bygone era, immersing them in a world of glamour, ambition, and self-discovery. Hunter Wheel Balancer Dsp 9100 Manual : Delia Owens "Where the Crawdads Sing" This mesmerizing coming-of-age story follows Kya Clark, a young woman who grows up alone in the marshes of North Carolina. Owens weaves a tale of resilience, survival, and the transformative power of nature, captivating readers with its evocative prose and mesmerizing setting. These bestselling novels represent just a fraction of the literary treasures that have emerged in 2023. Whether you seek tales of romance, adventure, or personal growth, the world of literature offers an abundance of engaging stories waiting to be discovered. The novel begins with Richard Papen, a bright but troubled young man, arriving at Hampden College. Richard is immediately drawn to the group of students who call themselves the Classics Club. The club is led by Henry Winter, a brilliant and charismatic young man. Henry is obsessed with Greek mythology and philosophy, and he quickly draws Richard into his world. The other members of the Classics Club are equally as fascinating. Bunny Corcoran is a wealthy and spoiled young man who is always looking for a good time. Charles Tavis is a quiet and reserved young man who is deeply in love with Henry. Camilla Macaulay is a beautiful and intelligent young woman who is drawn to the power and danger of the Classics Club. The students are all deeply in love with Morrow, and they are willing to do anything to please him. Morrow is a complex and mysterious figure, and he seems to be manipulating the students for his own purposes. As the students become more involved with Morrow, they begin to commit increasingly dangerous acts. The Secret History is a brilliant and gripping novel that will keep you guessing until the very end. The novel is a cautionary tale about the dangers of obsession and the power of evil.

<https://staging.conocer.cide.edu/results/virtual-library/HomePages/Hyundai%20Wheel%20Excavator%20Robex%20170w%209%20Operating%20Manual.pdf>

Table of Contents Hunter Wheel Balancer Dsp 9100 Manual

1. Understanding the eBook Hunter Wheel Balancer Dsp 9100 Manual
 - The Rise of Digital Reading Hunter Wheel Balancer Dsp 9100 Manual
 - Advantages of eBooks Over Traditional Books
2. Identifying Hunter Wheel Balancer Dsp 9100 Manual
 - Exploring Different Genres
 - Considering Fiction vs. Non-Fiction
 - Determining Your Reading Goals
3. Choosing the Right eBook Platform
 - Popular eBook Platforms
 - Features to Look for in an Hunter Wheel Balancer Dsp 9100 Manual
 - User-Friendly Interface
4. Exploring eBook Recommendations from Hunter Wheel Balancer Dsp 9100 Manual
 - Personalized Recommendations
 - Hunter Wheel Balancer Dsp 9100 Manual User Reviews and Ratings
 - Hunter Wheel Balancer Dsp 9100 Manual and Bestseller Lists
5. Accessing Hunter Wheel Balancer Dsp 9100 Manual Free and Paid eBooks
 - Hunter Wheel Balancer Dsp 9100 Manual Public Domain eBooks
 - Hunter Wheel Balancer Dsp 9100 Manual eBook Subscription Services
 - Hunter Wheel Balancer Dsp 9100 Manual Budget-Friendly Options
6. Navigating Hunter Wheel Balancer Dsp 9100 Manual eBook Formats
 - ePub, PDF, MOBI, and More
 - Hunter Wheel Balancer Dsp 9100 Manual Compatibility with Devices
 - Hunter Wheel Balancer Dsp 9100 Manual Enhanced eBook Features
7. Enhancing Your Reading Experience
 - Adjustable Fonts and Text Sizes of Hunter Wheel Balancer Dsp 9100 Manual
 - Highlighting and Note-Taking Hunter Wheel Balancer Dsp 9100 Manual
 - Interactive Elements Hunter Wheel Balancer Dsp 9100 Manual

8. Staying Engaged with Hunter Wheel Balancer Dsp 9100 Manual
 - Joining Online Reading Communities
 - Participating in Virtual Book Clubs
 - Following Authors and Publishers Hunter Wheel Balancer Dsp 9100 Manual
9. Balancing eBooks and Physical Books Hunter Wheel Balancer Dsp 9100 Manual
 - Benefits of a Digital Library
 - Creating a Diverse Reading Collection Hunter Wheel Balancer Dsp 9100 Manual
10. Overcoming Reading Challenges
 - Dealing with Digital Eye Strain
 - Minimizing Distractions
 - Managing Screen Time
11. Cultivating a Reading Routine Hunter Wheel Balancer Dsp 9100 Manual
 - Setting Reading Goals Hunter Wheel Balancer Dsp 9100 Manual
 - Carving Out Dedicated Reading Time
12. Sourcing Reliable Information of Hunter Wheel Balancer Dsp 9100 Manual
 - Fact-Checking eBook Content of Hunter Wheel Balancer Dsp 9100 Manual
 - Distinguishing Credible Sources
13. Promoting Lifelong Learning
 - Utilizing eBooks for Skill Development
 - Exploring Educational eBooks
14. Embracing eBook Trends
 - Integration of Multimedia Elements
 - Interactive and Gamified eBooks

Hunter Wheel Balancer Dsp 9100 Manual Introduction

In the digital age, access to information has become easier than ever before. The ability to download Hunter Wheel Balancer Dsp 9100 Manual has revolutionized the way we consume written content. Whether you are a student looking for course material, an avid reader searching for your next favorite book, or a professional seeking research papers, the option to download Hunter Wheel Balancer Dsp 9100 Manual has opened up a world of possibilities. Downloading Hunter Wheel Balancer Dsp 9100 Manual provides numerous advantages over physical copies of books and documents. Firstly, it is

incredibly convenient. Gone are the days of carrying around heavy textbooks or bulky folders filled with papers. With the click of a button, you can gain immediate access to valuable resources on any device. This convenience allows for efficient studying, researching, and reading on the go. Moreover, the cost-effective nature of downloading Hunter Wheel Balancer Dsp 9100 Manual has democratized knowledge. Traditional books and academic journals can be expensive, making it difficult for individuals with limited financial resources to access information. By offering free PDF downloads, publishers and authors are enabling a wider audience to benefit from their work. This inclusivity promotes equal opportunities for learning and personal growth. There are numerous websites and platforms where individuals can download Hunter Wheel Balancer Dsp 9100 Manual. These websites range from academic databases offering research papers and journals to online libraries with an expansive collection of books from various genres. Many authors and publishers also upload their work to specific websites, granting readers access to their content without any charge. These platforms not only provide access to existing literature but also serve as an excellent platform for undiscovered authors to share their work with the world. However, it is essential to be cautious while downloading Hunter Wheel Balancer Dsp 9100 Manual. Some websites may offer pirated or illegally obtained copies of copyrighted material. Engaging in such activities not only violates copyright laws but also undermines the efforts of authors, publishers, and researchers. To ensure ethical downloading, it is advisable to utilize reputable websites that prioritize the legal distribution of content. When downloading Hunter Wheel Balancer Dsp 9100 Manual, users should also consider the potential security risks associated with online platforms. Malicious actors may exploit vulnerabilities in unprotected websites to distribute malware or steal personal information. To protect themselves, individuals should ensure their devices have reliable antivirus software installed and validate the legitimacy of the websites they are downloading from. In conclusion, the ability to download Hunter Wheel Balancer Dsp 9100 Manual has transformed the way we access information. With the convenience, cost-effectiveness, and accessibility it offers, free PDF downloads have become a popular choice for students, researchers, and book lovers worldwide. However, it is crucial to engage in ethical downloading practices and prioritize personal security when utilizing online platforms. By doing so, individuals can make the most of the vast array of free PDF resources available and embark on a journey of continuous learning and intellectual growth.

FAQs About Hunter Wheel Balancer Dsp 9100 Manual Books

How do I know which eBook platform is the best for me? Finding the best eBook platform depends on your reading preferences and device compatibility. Research different platforms, read user reviews, and explore their features before making a choice. Are free eBooks of good quality? Yes, many reputable platforms offer high-quality free eBooks, including

classics and public domain works. However, make sure to verify the source to ensure the eBook credibility. Can I read eBooks without an eReader? Absolutely! Most eBook platforms offer webbased readers or mobile apps that allow you to read eBooks on your computer, tablet, or smartphone. How do I avoid digital eye strain while reading eBooks? To prevent digital eye strain, take regular breaks, adjust the font size and background color, and ensure proper lighting while reading eBooks. What the advantage of interactive eBooks? Interactive eBooks incorporate multimedia elements, quizzes, and activities, enhancing the reader engagement and providing a more immersive learning experience. Hunter Wheel Balancer Dsp 9100 Manual is one of the best book in our library for free trial. We provide copy of Hunter Wheel Balancer Dsp 9100 Manual in digital format, so the resources that you find are reliable. There are also many Ebooks of related with Hunter Wheel Balancer Dsp 9100 Manual. Where to download Hunter Wheel Balancer Dsp 9100 Manual online for free? Are you looking for Hunter Wheel Balancer Dsp 9100 Manual PDF? This is definitely going to save you time and cash in something you should think about. If you trying to find then search around for online. Without a doubt there are numerous these available and many of them have the freedom. However without doubt you receive whatever you purchase. An alternate way to get ideas is always to check another Hunter Wheel Balancer Dsp 9100 Manual. This method for see exactly what may be included and adopt these ideas to your book. This site will almost certainly help you save time and effort, money and stress. If you are looking for free books then you really should consider finding to assist you try this. Several of Hunter Wheel Balancer Dsp 9100 Manual are for sale to free while some are payable. If you arent sure if the books you would like to download works with for usage along with your computer, it is possible to download free trials. The free guides make it easy for someone to free access online library for download books to your device. You can get free download on free trial for lots of books categories. Our library is the biggest of these that have literally hundreds of thousands of different products categories represented. You will also see that there are specific sites catered to different product types or categories, brands or niches related with Hunter Wheel Balancer Dsp 9100 Manual. So depending on what exactly you are searching, you will be able to choose e books to suit your own need. Need to access completely for Campbell Biology Seventh Edition book? Access Ebook without any digging. And by having access to our ebook online or by storing it on your computer, you have convenient answers with Hunter Wheel Balancer Dsp 9100 Manual To get started finding Hunter Wheel Balancer Dsp 9100 Manual, you are right to find our website which has a comprehensive collection of books online. Our library is the biggest of these that have literally hundreds of thousands of different products represented. You will also see that there are specific sites catered to different categories or niches related with Hunter Wheel Balancer Dsp 9100 Manual So depending on what exactly you are searching, you will be able tochoose ebook to suit your own need. Thank you for reading Hunter Wheel Balancer Dsp 9100 Manual. Maybe you have knowledge that, people have search numerous times for their favorite readings like this Hunter Wheel Balancer Dsp 9100 Manual, but end up in harmful downloads. Rather than reading a good book with a cup of coffee in the afternoon, instead

they juggled with some harmful bugs inside their laptop. Hunter Wheel Balancer Dsp 9100 Manual is available in our book collection an online access to it is set as public so you can download it instantly. Our digital library spans in multiple locations, allowing you to get the most less latency time to download any of our books like this one. Merely said, Hunter Wheel Balancer Dsp 9100 Manual is universally compatible with any devices to read.

Find Hunter Wheel Balancer Dsp 9100 Manual :

hyundai wheel excavator robex 170w 9 operating manual

hzj 79l tjmrs timing belt adjustment

ian c bradley book

ias exam 2model question paper

ial edexcel jan 2015 marks boundary

i gucci manual

i tech dynamic user manual

i am pilgrim book 2

hyundai tucson full service repair manual 2006 2009

ib biology sl past papers 2012

i love you and other lies i ve told

ib guides history

ib hl paper 3 biology may 2014

ib chemistry hl paper 2013

ib biology paper 2 2013 tzhl

Hunter Wheel Balancer Dsp 9100 Manual :

year 12 advanced mathematics defence force recruiting full - Jul 31 2022

web year 12 advanced mathematics defence force recruiting 1 year 12 advanced mathematics defence force recruiting

duncan hunter national defense authorization act for fiscal year 2009 may 16 2008 110 2 house report 110 652 global

student mobility in the asia pacific advanced calculus department of defense appropriations

year 12 advanced mathematics defence force recruiting copy - Apr 08 2023

web advanced construction mathematics covers the range of topics that a student must learn in order to achieve success in

level 3 and 4 mathematics for the pearson btec national and btec hnc hnd in construction building services and civil engineering

[year 12 advanced mathematics defence force recruiting](#) - Mar 27 2022

web 2 year 12 advanced mathematics defence force recruiting 2023 02 24 scientific fields of psychoanalysis and artificial intelligence is highlighted as the foundation of new research findings throughout the book innovative and exciting this book will be of great interest to academics researchers and postgraduates in the fields of cognitive

year 12 general mathematics defence force recruiting - May 09 2023

web year 12 general mathematics defence force recruiting adf aptitude test general entry defence aptitude subtest is a sample test consisting of 45 multiple choice

[year 12 advanced mathematics defence force recruiting 2023](#) - Feb 23 2022

web year 12 advanced mathematics defence force recruiting 1 omb no year 12 advanced mathematics defence force recruiting advanced mathematics book math book for complete beginners memo mathematical literacy p 1

salary guide how much can you earn if you join the - Jun 10 2023

web feb 15 2023 if you join the scdf as a direct entry sergeant you can expect to earn between 2 547 to 2 753 as a fresh graduate excluding allowances depending on your relevant work experience and completion of full time national service in comparison the median graduate starting salary for diploma holders and nitec without ns is 2 614

singapore civil defence force salaries glassdoor - Mar 07 2023

web the average singapore civil defence force salary ranges from approximately 11 000 per year for a paramedic to 83 000 per year for a senior officer singapore civil defence force employees rate the overall compensation and benefits package 3 5 5 stars

[grade 11 12 a level mathematics singapore futureschool](#) - Dec 04 2022

web topic title 1 study plan study plan grade 11 12 a level objective on completion of the course formative assessment a tailored study plan is created identifying the lessons requiring revision 2 graphing polynomials graphing complex polynomials quadratics with

[year 12 general mathematics defence force recruiting](#) - Jun 29 2022

web july 21st 2017 australian defence force with a focus on attracting year 11 and 12 students director general defence force recruiting dpr af policy directive department of defence june 23rd 2018 defence force recruiting unit general maths not candidate who holds a bachelor of aviation technology may meet the year 12

[year 12 advanced mathematics defence force recruiting 2023](#) - Oct 02 2022

web year 12 advanced mathematics defence force recruiting advanced mathematical computational tools in metrology v jul

17 2021 advances in metrology depend on improvements in scientific and technical knowledge and in instrumentation quality as well as on better use of advanced mathematical tools and development of new ones

[pdf year 12 general mathematics defence force recruiting](#) - Aug 12 2023

web year 12 general mathematics defence force recruiting the history of mathematical tables may 20 2021 the oldest known mathematical table was found in the ancient sumerian city of shuruppag in southern iraq since then tables have been an important feature of mathematical activity table making and

south australian defence industry workforce and skills action plan - May 29 2022

web the heights delivering defence industry and advanced manufacturing programs with industry partners approx 200 students at each college each year 150 defence aligned students each year est 125 million sa government funded commonwealth supported places 800 additional university places for sa

[year 12 advanced mathematics defence force recruiting](#) - Sep 13 2023

web year 12 advanced mathematics defence force recruiting configurational forces mar 22 2022 exploring recent developments in continuum mechanics configurational forces thermomechanics physics mathematics and numerics presents the general framework for configurational forces it also covers a range of applications in engineering and

year 12 advanced mathematics defence force recruiting pdf - Apr 27 2022

web year 12 advanced mathematics defence force recruiting is available in our digital library an online entry to it is set as public suitably you can download it instantly our digital library saves in multiple countries allowing you to acquire the most less latency period to download any of our books behind this one merely said the year 12

year 12 advanced mathematics defence force recruiting - Jul 11 2023

web year 12 advanced mathematics defence force recruiting year 12 advanced mathematics defence force recruiting alternative education equivalency aee assessments pdf download fiscal year 2016 budget estimates under secretary of defense adf recref132 a guide to aptitude testing for joining the adf dpr af

[download free year 12 advanced mathematics defence force recruiting](#) - Feb 06 2023

web year 12 advanced mathematics defence force recruiting mathematics may 26 2021 hsc year 12 mathematics advanced notes may 06 2022 course of study in advanced mathematics mar 16 2023 advanced mathematics feb 03 2022 provides a smooth and pleasant transition from first year calculus to upper

[year 12 advanced mathematics defence force recruiting](#) - Nov 03 2022

web mar 26 2023 year 12 advanced mathematics defence force recruiting is available in our book collection an online access to it is set as public so you can download it instantly our digital library spans in multiple locations allowing you to get the most less latency time to download any of our books like this one merely said the year 12

[ebook year 12 advanced mathematics defence force recruiting](#) - Oct 14 2023

web year 12 advanced mathematics defence force recruiting bird s comprehensive engineering mathematics jan 11 2021

studying engineering whether it is mechanical electrical or civil relies heavily on an understanding of mathematics this textbook clearly demonstrates the relevance of mathematical principles and shows

year 12 advanced mathematics defence force recruiting - Sep 01 2022

web jan 17 2023 acquire those all we find the money for year 12 advanced mathematics defence force recruiting and numerous book collections from fictions to scientific research in any way accompanied by them is this year 12 advanced mathematics defence force recruiting that can be your partner the journal of the armed forces

year 12 advanced mathematics defence force recruiting - Jan 05 2023

web february 7th 2018 year 12 advanced mathematics defence force recruiting pdf free download here alternative education equivalency scheme aees tests dfraeea com download year12 cpk advanced

short stories for ang ong ing endings lcod clozmaster com - Apr 12 2023

web apr 24 2023 the middle of guides you could enjoy now is short stories for ang ong ing endings below mud on the path pamela brookes 2018 04 02 books for phonics readers and folks with a dyslexic learning style bob is a big tan dog sight words a do for from go has he i is me of say says see the to want we you approximately 100 total

short stories for ang ong ing endings pdf copy - Jun 02 2022

web aug 31 2023 short stories for ang ong ing endings pdf yeah reviewing a ebook short stories for ang ong ing endings pdf could mount up your bonus letters f l s z after short vowel all s suffix step 3 letter buddies ang ing ong ung ank ink onk unk step 4 consonant blends to make 4 sound words 3 and 4 sound

short stories for ang ong ing endings copy uniport edu - Jul 03 2022

web short stories for ang ong ing endings is available in our book collection an online access to it is set as public so you can get it instantly our book servers saves in multiple countries allowing you to get the most less latency time to download any of our books like this one

short stories for ang ong ing endings old talentsprint - May 13 2023

web 2 short stories for ang ong ing endings 2019 08 11 corridor 12 short stories peter lang traditional distinctions between the experiences of women and men are breaking down and being reconfigured in new more complex ways

short stories for ang ong ing endings bk swordsswords - Mar 11 2023

web the world s best short stories of short stories for ang ong ing endings downloaded from bk swordsswords com by guest barnett cassandra daylight dialogues routledge thoroughly expanded and updated this pioneering work continues to be the ur textof hypertext studies the chinese question penwings publishing a deity

[short stories for ang ong ing endings nikolaus girardet copy](#) - Dec 08 2022

web jan 26 2023 short stories for ang ong ing endings 2 29 downloaded from sfsupport2 solidfire com on by guest phenomena ghost stories and festival tales the tales are people by memorable characters such as the tibetan mother who reborn as a cow comforts and helps her daughter in her harsh life as a slave girl the two kucong sisters

[common endings ang ing ong ung mrs wordsmith us](#) - Jul 15 2023

web overview sometimes you have to remember to say the letters at the end of a word differently you say all the letter sounds but in a faster and stickier way like ang ing ong and ung these are sometimes called glued sounds download our common endings ang ing ong ung activity below underline the glued ending sound in the word

open ended stories examples of short stories with ambiguous endings - Oct 06 2022

web these open ended stories leave something in the ending to the imagination in some like the lady or the tiger the missing part is a major plot point the story feels unfinished i ve marked the stories most like this with an i haven t come across a lot of this type in other short stories with ambiguous endings the author

[short stories for ang ong ing endings](#) - Aug 04 2022

web short vowels digraphs ch sh th wh ck 2 and 3 sound words possessive s step 2 bonus letters f l s z after short vowel all s suffix step 3 ang ing ong ung ank ink onk unk step 4 consonant blends to make 4 sound words 3 and 4 sound words ending in lk sk step 5 digraph blends nch to make 3 and 4 sound words silent e step 6

common endings ing ong ung ang learning to read - Feb 10 2023

web dec 10 2020 mrs hayes teaches young learners to start reading mrs hayes teaches how to read ing ong ung and ang since they are found in lots of words after lear

[short stories for ang ong ing endings copy uniport edu](#) - Mar 31 2022

web short stories for ang ong ing endings 3 20 downloaded from uniport edu ng on september 13 2023 by guest phonics rules and sight words in that book sound them out and read them these are systematic books because each step of books build on the skills practiced in the prior steps most kids who read dog on

[short stories for ang ong ing endings pdf](#) - May 01 2022

web reviewing short stories for ang ong ing endings unlocking the spellbinding force of linguistics in a fast paced world fueled by information and interconnectivity the spellbinding force of linguistics

[short stories for ang ong ing endings pamela brookes copy](#) - Aug 16 2023

web short stories for ang ong ing endings and numerous books collections from fictions to scientific research in any way accompanied by them is this short stories for ang ong ing endings that can be your partner

[short stories for ang ong ing endings uniport edu](#) - Nov 07 2022

web aug 3 2023 right here we have countless books short stories for ang ong ing endings and collections to check out we additionally come up with the money for variant types and afterward type of the books to

4 ways to write a good ending to a story wikihow - Sep 05 2022

web jan 26 2023 2 build your ending with description and sensory images sensory details connect us emotionally to the story and much good writing uses imagery throughout 6 however by using rich sensory language to paint word pictures in the final part of your story you will leave the reader with depths of meaning

short stories for ang ong ing endings pdf pdf - Jan 09 2023

web aug 31 2023 short stories for ang ong ing endings pdf as one of the most committed sellers here will unquestionably be accompanied by the best options to review eight short stories teong hean ong 1978

short stories for ang ong ing endings nysm pfi org - Jan 29 2022

web as this short stories for ang ong ing endings it ends in the works instinctive one of the favored book short stories for ang ong ing endings collections that we have this is why you remain in the best website to see the unbelievable book to have zip the bug chapter book pamela brookes 2018 04 02

short stories for ang ong ing endings copy uniport edu - Feb 27 2022

web short stories for ang ong ing endings 1 14 downloaded from uniport edu ng on july 24 2023 by guest short stories for ang ong ing endings yeah reviewing a book short stories for ang ong ing endings could ensue your near contacts listings this is just one of the solutions for you to be successful

short stories for ang ong ing endings pdf uniport edu - Jun 14 2023

web apr 28 2023 short stories for ang ong ing endings 1 11 downloaded from uniport edu ng on april 28 2023 by guest short stories for ang ong ing endings thank you definitely much for downloading short stories for ang ong ing endings maybe you have knowledge that people have look numerous time for their favorite books gone this

[short stories for ang ong ing endings book sexybots com](#) - Dec 28 2021

web mar 31 2023 for below as competently as evaluation short stories for ang ong ing endings what you taking into account to read focus on comprehension starter and introductory teachers resource book louis fidge 2014 11 focus on comprehension offers three levels of differentiated activities designed to help children develop a wide

the way of the househusband vol 1 by kousuke oono - Oct 29 2021

the way of the househusband vol 1 english edition pdf - Feb 01 2022

the way of the househusband vol 1 kindle edition - Jan 12 2023

web buy the way of the househusband vol 1 volume 1 by kousuke oono online at alibris we have new and used copies available in 1 editions starting at 5 34 shop now

pdf the way of the househusband vol 1 1 kindle yumpu - Apr 03 2022

web the way of the househusband vol 6 kousuke oono 2021 09 21 it s a day in the life of your average househusband if your average househusband is the legendary yakuza

the way of the househusband volume 1 paperback - Dec 11 2022

web self publishing login to yumpu news login to yumpu publishing

the way of the househusband vol 1 goodreads - Sep 20 2023

web buy the way of the househusband vol 1 volume 1 1 by oono kousuke isbn 9781974709403 from amazon s book store everyday low prices and free delivery on

the way of the house husband series vol 1 4 collection - Mar 14 2023

web oono s follow up series the way of the househusband is the creator s first serialization as well as his first english language release product details publisher viz media llc

read the way of the househusband vol 1 1 pdf free - May 04 2022

web season 1 miku rushes off to work but forgets her bento tatsu tracks down a policure blu ray for miku s birthday gin takes a walk around the neighborhood masa realizes that

the way of the househusband vol 1 simon - May 16 2023

web buy the way of the househusband vol 1 by oono kousuke online on amazon ae at best prices fast and free shipping free returns cash on delivery available on eligible purchase

the way of the househusband vol 1 volume 1 kağıt kapak - Jun 05 2022

web jun 17 2023 househusband vol 1 english edition as capably as evaluation them wherever you are now the girl from the other side siüil a rún vol 1 nagabe 2017 01

the way of the househusband season 1 imdb - Dec 31 2021

read the way of the househusband vol 1 1 ebook - Sep 08 2022

web it s a day in the life of your average househusband if your average househusband is the legendary yakuza the immortal dragon a former yakuza legend leaves it all behind to

the way of the househusband vol 1 amazon com - Jul 18 2023

web oono s follow up series the way of the househusband is the creator s first serialization as well as his first english language release this text refers to the paperback edition

the way of the househusband vol 1 volume 1 - Aug 19 2023

web sep 17 2019 the way of the househusband vol 1 kindle edition by oono kousuke download it once and read it on your kindle device pc phones or tablets use features

the way of the househusband vol 1 kindle comixology - Jul 06 2022

web jan 6 2022 the way of the househusband vol 1 1 before now i have in no way experienced a passion about looking at books the way of the househusband vol 1

the way of the househusband tv series 2021 - Mar 02 2022

web aug 9 2018 the winner of the 2020 eisner award for best humor publication the way of the househusband vol 1 by kousuke oono translation by sheldon drzka is about a

the way of the househusband vol 1 by kousuke oono - Apr 15 2023

web the way of the househusband vol 1 kindle edition the way of the househusband vol 1 kindle edition by kousuke oono author format kindle edition 4 8 4 113

the way of the househusband vol 1 volume 1 alibris - Oct 09 2022

web oono s follow up series the way of the househusband is the creator s first serialization as well as his first english language release this text refers to the paperback edition

the way of the househusband vol 1 amazon ae - Feb 13 2023

web aug 22 2022 download book the way of the househusband vol 1 by author kousuke oono in pdf epub original title isbn published on 2018 8 9 in

the way of the househusband vol 1 english edition tahereh - Nov 29 2021

the way of the househusband wikipedia - Aug 07 2022

web may 15 2020 vol 1 1 pdf free description it s a day in the life of your average househusband if your average househusband is the legendary yakuza the immortal

the way of the househusband vol 1 kindle - Jun 17 2023

web oct 17 2019 click collect synopsis it s a day in the life of your average househusband if your average househusband is the legendary yakuza the immortal

pdf epub the way of the househusband vol 1 download - Nov 10 2022

web extreme way of the househusband is a japanese manga series written and illustrated by kousuke oono published in the online manga magazine kurage bunch since 2018 the