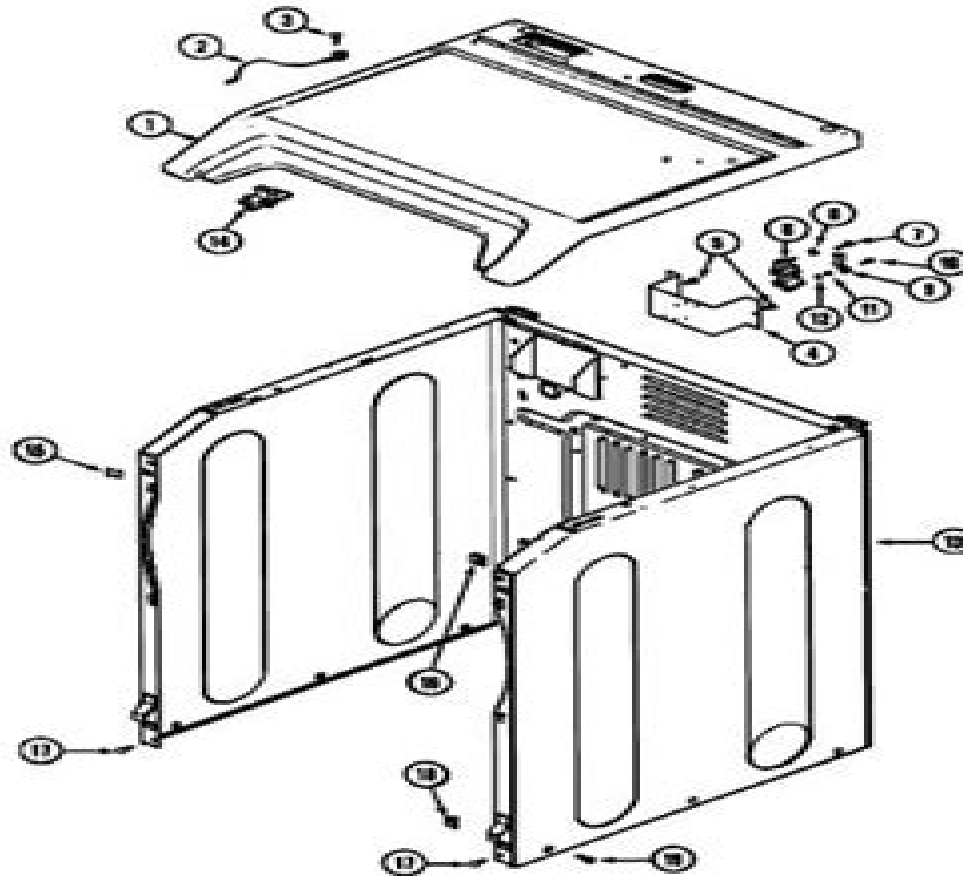


GENUINE PARTS WITH A FULL 1 YEAR WARRANTY

Cabinet, Front-MDE3000AYA



KEY	DESCRIPTION	PART #
1.	Cover, Top (White)	33001865
1.	(ADM)	33001866
2.	Wire, Ground	33001859
3.	Screw, Ground Wire	250186
4.	Bracket, Terminal Block	33001826
5.	Screw, Terminal Block Bracket	23001995
6.	Block, Terminal	33001244
7.	Screw, Terminal Block	312209
8.	Washer, Terminal Block	312270
9.	Strap, Ground	312184
10.	Screw, Ground Strap	33001245
11.	Nut, Terminal Block	311484
12.	Washer, Terminal Block	311093
13.	Cabinet (White)	33001843
13.	(ADM)	22002242
14.	Pin, Locator	33001872
15.	Clip, Front Panel	22002049
16.	Retainer, Front Panel	204439
17.	Screw, Front Panel	22001995
18.	Clip, Wire Harness	350376
19.	Screw, Cabinet	213007

Frigidaire Front Load Washer Diagram

Consumer Reports



Frigidaire Front Load Washer Diagram:

Ignite the flame of optimism with Get Inspired by is motivational masterpiece, **Frigidaire Front Load Washer Diagram** . In a downloadable PDF format (PDF Size: *), this ebook is a beacon of encouragement. Download now and let the words propel you towards a brighter, more motivated tomorrow.

https://staging.conocer.cide.edu/files/browse/Download_PDFS/Manual_Korg_X50_Espanol.pdf

Table of Contents Frigidaire Front Load Washer Diagram

1. Understanding the eBook Frigidaire Front Load Washer Diagram
 - The Rise of Digital Reading Frigidaire Front Load Washer Diagram
 - Advantages of eBooks Over Traditional Books
2. Identifying Frigidaire Front Load Washer Diagram
 - Exploring Different Genres
 - Considering Fiction vs. Non-Fiction
 - Determining Your Reading Goals
3. Choosing the Right eBook Platform
 - Popular eBook Platforms
 - Features to Look for in an Frigidaire Front Load Washer Diagram
 - User-Friendly Interface
4. Exploring eBook Recommendations from Frigidaire Front Load Washer Diagram
 - Personalized Recommendations
 - Frigidaire Front Load Washer Diagram User Reviews and Ratings
 - Frigidaire Front Load Washer Diagram and Bestseller Lists
5. Accessing Frigidaire Front Load Washer Diagram Free and Paid eBooks
 - Frigidaire Front Load Washer Diagram Public Domain eBooks
 - Frigidaire Front Load Washer Diagram eBook Subscription Services
 - Frigidaire Front Load Washer Diagram Budget-Friendly Options
6. Navigating Frigidaire Front Load Washer Diagram eBook Formats

- ePub, PDF, MOBI, and More
 - Frigitdaire Front Load Washer Diagram Compatibility with Devices
 - Frigitdaire Front Load Washer Diagram Enhanced eBook Features
7. Enhancing Your Reading Experience
 - Adjustable Fonts and Text Sizes of Frigitdaire Front Load Washer Diagram
 - Highlighting and Note-Taking Frigitdaire Front Load Washer Diagram
 - Interactive Elements Frigitdaire Front Load Washer Diagram
 8. Staying Engaged with Frigitdaire Front Load Washer Diagram
 - Joining Online Reading Communities
 - Participating in Virtual Book Clubs
 - Following Authors and Publishers Frigitdaire Front Load Washer Diagram
 9. Balancing eBooks and Physical Books Frigitdaire Front Load Washer Diagram
 - Benefits of a Digital Library
 - Creating a Diverse Reading Collection Frigitdaire Front Load Washer Diagram
 10. Overcoming Reading Challenges
 - Dealing with Digital Eye Strain
 - Minimizing Distractions
 - Managing Screen Time
 11. Cultivating a Reading Routine Frigitdaire Front Load Washer Diagram
 - Setting Reading Goals Frigitdaire Front Load Washer Diagram
 - Carving Out Dedicated Reading Time
 12. Sourcing Reliable Information of Frigitdaire Front Load Washer Diagram
 - Fact-Checking eBook Content of Frigitdaire Front Load Washer Diagram
 - Distinguishing Credible Sources
 13. Promoting Lifelong Learning
 - Utilizing eBooks for Skill Development
 - Exploring Educational eBooks
 14. Embracing eBook Trends
 - Integration of Multimedia Elements
 - Interactive and Gamified eBooks

Frigidaire Front Load Washer Diagram Introduction

Frigidaire Front Load Washer Diagram Offers over 60,000 free eBooks, including many classics that are in the public domain. Open Library: Provides access to over 1 million free eBooks, including classic literature and contemporary works. Frigidaire Front Load Washer Diagram Offers a vast collection of books, some of which are available for free as PDF downloads, particularly older books in the public domain. Frigidaire Front Load Washer Diagram : This website hosts a vast collection of scientific articles, books, and textbooks. While it operates in a legal gray area due to copyright issues, its a popular resource for finding various publications. Internet Archive for Frigidaire Front Load Washer Diagram : Has an extensive collection of digital content, including books, articles, videos, and more. It has a massive library of free downloadable books. Free-eBooks Frigidaire Front Load Washer Diagram Offers a diverse range of free eBooks across various genres. Frigidaire Front Load Washer Diagram Focuses mainly on educational books, textbooks, and business books. It offers free PDF downloads for educational purposes. Frigidaire Front Load Washer Diagram Provides a large selection of free eBooks in different genres, which are available for download in various formats, including PDF. Finding specific Frigidaire Front Load Washer Diagram, especially related to Frigidaire Front Load Washer Diagram, might be challenging as theyre often artistic creations rather than practical blueprints. However, you can explore the following steps to search for or create your own Online Searches: Look for websites, forums, or blogs dedicated to Frigidaire Front Load Washer Diagram, Sometimes enthusiasts share their designs or concepts in PDF format. Books and Magazines Some Frigidaire Front Load Washer Diagram books or magazines might include. Look for these in online stores or libraries. Remember that while Frigidaire Front Load Washer Diagram, sharing copyrighted material without permission is not legal. Always ensure youre either creating your own or obtaining them from legitimate sources that allow sharing and downloading. Library Check if your local library offers eBook lending services. Many libraries have digital catalogs where you can borrow Frigidaire Front Load Washer Diagram eBooks for free, including popular titles. Online Retailers: Websites like Amazon, Google Books, or Apple Books often sell eBooks. Sometimes, authors or publishers offer promotions or free periods for certain books. Authors Website Occasionally, authors provide excerpts or short stories for free on their websites. While this might not be the Frigidaire Front Load Washer Diagram full book , it can give you a taste of the authors writing style. Subscription Services Platforms like Kindle Unlimited or Scribd offer subscription-based access to a wide range of Frigidaire Front Load Washer Diagram eBooks, including some popular titles.

FAQs About Frigidaire Front Load Washer Diagram Books

How do I know which eBook platform is the best for me? Finding the best eBook platform depends on your reading preferences and device compatibility. Research different platforms, read user reviews, and explore their features before

making a choice. Are free eBooks of good quality? Yes, many reputable platforms offer high-quality free eBooks, including classics and public domain works. However, make sure to verify the source to ensure the eBook credibility. Can I read eBooks without an eReader? Absolutely! Most eBook platforms offer webbased readers or mobile apps that allow you to read eBooks on your computer, tablet, or smartphone. How do I avoid digital eye strain while reading eBooks? To prevent digital eye strain, take regular breaks, adjust the font size and background color, and ensure proper lighting while reading eBooks. What the advantage of interactive eBooks? Interactive eBooks incorporate multimedia elements, quizzes, and activities, enhancing the reader engagement and providing a more immersive learning experience. Frigidaire Front Load Washer Diagram is one of the best book in our library for free trial. We provide copy of Frigidaire Front Load Washer Diagram in digital format, so the resources that you find are reliable. There are also many Ebooks of related with Frigidaire Front Load Washer Diagram. Where to download Frigidaire Front Load Washer Diagram online for free? Are you looking for Frigidaire Front Load Washer Diagram PDF? This is definitely going to save you time and cash in something you should think about. If you trying to find then search around for online. Without a doubt there are numerous these available and many of them have the freedom. However without doubt you receive whatever you purchase. An alternate way to get ideas is always to check another Frigidaire Front Load Washer Diagram. This method for see exactly what may be included and adopt these ideas to your book. This site will almost certainly help you save time and effort, money and stress. If you are looking for free books then you really should consider finding to assist you try this. Several of Frigidaire Front Load Washer Diagram are for sale to free while some are payable. If you arent sure if the books you would like to download works with for usage along with your computer, it is possible to download free trials. The free guides make it easy for someone to free access online library for download books to your device. You can get free download on free trial for lots of books categories. Our library is the biggest of these that have literally hundreds of thousands of different products categories represented. You will also see that there are specific sites catered to different product types or categories, brands or niches related with Frigidaire Front Load Washer Diagram. So depending on what exactly you are searching, you will be able to choose e books to suit your own need. Need to access completely for Campbell Biology Seventh Edition book? Access Ebook without any digging. And by having access to our ebook online or by storing it on your computer, you have convenient answers with Frigidaire Front Load Washer Diagram To get started finding Frigidaire Front Load Washer Diagram, you are right to find our website which has a comprehensive collection of books online. Our library is the biggest of these that have literally hundreds of thousands of different products represented. You will also see that there are specific sites catered to different categories or niches related with Frigidaire Front Load Washer Diagram So depending on what exactly you are searching, you will be able tochoose ebook to suit your own need. Thank you for reading Frigidaire Front Load Washer Diagram. Maybe you have knowledge that, people have search numerous times for their favorite readings like this Frigidaire Front Load Washer Diagram, but end up in

harmful downloads. Rather than reading a good book with a cup of coffee in the afternoon, instead they juggled with some harmful bugs inside their laptop. Frighdaire Front Load Washer Diagram is available in our book collection an online access to it is set as public so you can download it instantly. Our digital library spans in multiple locations, allowing you to get the most less latency time to download any of our books like this one. Merely said, Frighdaire Front Load Washer Diagram is universally compatible with any devices to read.

Find Frighdaire Front Load Washer Diagram :

~~manual korg x50 espanol~~

manual motor scania ds 14

manual j load calculation excel

manual kenwood krc 13

manual mitsubishi lancer glxi

manual mitsubishi lancer 1993

~~manual motor nissan fd 42~~

manual mercedes c200 cdi

manual mastercam x4 en italiano

manual lexmark genesis s815

manual maple 12 en espaaol

manual log splitter power unit assembly

manual j table 2

manual motor deutz f6l913

manual ipod classic 160gb portugues

Frighdaire Front Load Washer Diagram :

the child from nowhere abebooks - Feb 27 2022

web the child from nowhere poor house lane sagas 2 the poor house lane sagas the poor house lane sagas 2 by freda lightfoot and a great selection of related books art and collectibles available now at abebooks com

loading interface goodreads - Dec 28 2021

web discover and share books you love on goodreads

the child from nowhere poor house lane sagas book anita - Jan 29 2022

web the child from nowhere poor house lane sagas book as one of the most full of zip sellers here will entirely be in the middle of the best options to review road to nowhere m robinson 2016 12 04

the child from nowhere by freda lightfoot overdrive ebooks - Nov 07 2022

web oct 25 2018 as the great war looms will the women of kendal rise to meet the challenge after giving birth to her daughter kate o connor finds herself back in poor house lane with some momentous decisions to make faced with the opportunity to

the child from nowhere poor house lane sagas the poor house lane - Jul 15 2023

web the child from nowhere poor house lane sagas the poor house lane sagas freda lightfoot amazon com tr

the child from nowhere poor house lane sagas 2 the poor house lane - Aug 16 2023

web apr 11 2019 buy the child from nowhere poor house lane sagas 2 the poor house lane sagas the poor house lane sagas 2 by freda lightfoot isbn 9781788633956 from amazon s book store everyday low

the child from nowhere the poor house lane sagas kindle - Mar 31 2022

web the child from nowhere the poor house lane sagas ebook lightfoot freda amazon in kindle store

the child from nowhere the poor house lane sagas - Mar 11 2023

web the poor house lane 2the child from nowhere freda lightfoot 4 34 281 ratings 4 reviews want to read buy on amazon rate this book

9781788633956 *the child from nowhere poor house lane sagas* - Aug 04 2022

web abebooks com the child from nowhere poor house lane sagas 9781788633956 by freda lightfoot and a great selection of similar new used and collectible books available now at great prices 9781788633956 the child from nowhere poor house lane sagas freda lightfoot 1788633954 abebooks

the child from nowhere the poor house lane sagas by freda - May 01 2022

web apr 11 2019 booktopia has the child from nowhere the poor house lane sagas by freda lightfoot buy a discounted paperback of the child from nowhere online from australia s leading online bookstore

freda lightfoot poor house lane and salford saga 7 books - Jan 09 2023

web freda lightfoot poor house lane and salford saga 7 books collection set the girl from poor house lane the child from nowhere the woman from heartbreak house ruby mcbride dancing on deansgate more paperback 1 jan 2020

the child from nowhere the poor house lane sagas book 2 - Jul 03 2022

web the child from nowhere the poor house lane sagas book 2 ebook lightfoot freda amazon ca kindle store

the child from nowhere by freda lightfoot overdrive ebooks - Dec 08 2022

web oct 25 2018 as the great war looms a single mother works to open her own business while weathering hardships in this saga by the girl from poor house lane after giving birth to her daughter kate o connor finds herself back in poor house lane with some momentous decisions to make

the child from nowhere the poor house lane sagas kindle - Oct 06 2022

web the child from nowhere the poor house lane sagas ebook lightfoot freda amazon ca kindle store

the child from nowhere poor house lane sagas 2 the poor house lane - Jun 02 2022

web the child from nowhere poor house lane sagas 2 the poor house lane sagas by freda lightfoot at abebooks co uk isbn 10 1788633954 isbn 13 9781788633956 canelo 2019 softcover

the child from nowhere bookshare - Sep 05 2022

web aug 24 2023 as the great war looms a single mother works to open her own business while weathering hardships in this saga by the girl from poor house lane after giving birth to her daughter kate o connor finds herself back in poor house lane with some momentous decisions to make

the child from nowhere the poor house lane sagas - May 13 2023

web the child from nowhere the poor house lane sagas kindle edition by freda lightfoot author format kindle edition 4 5 out of 5 stars 601 ratings

the child from nowhere poor house lane sagas amazon com - Apr 12 2023

web apr 11 2019 the second thrilling instalment of the poor house lane sagas kate finds herself back in poor house lane with some heartrending decisions to be made not least how to find her missing son somehow she must also make a living for herself and help the women being abused by the hated swainson

the poor house lane series by freda lightfoot goodreads - Feb 10 2023

web the girl from poor house lane the poor house lane sagas book 1 the child from nowhere the poor house lane sagas book 2 the woman from heartbreak h

the child from nowhere the poor house lane sagas kindle - Jun 14 2023

web oct 25 2018 the child from nowhere the poor house lane sagas kindle edition by lightfoot freda download it once and read it on your kindle device pc phones or tablets use features like bookmarks note taking and highlighting while reading the child from nowhere the poor house lane sagas

optical fibres in communication definition examples diagrams - Nov 05 2022

web block diagram of optical fibre communication link major elements used in optical fiber communication system are shown in the figure here transmitter stage consists of a light source and associated drive circuitry while the receiver section includes a photodetector signal amplifier and signal restorer

bec701 fibre optic communication bharath univ - Sep 03 2022

web block diagram of ofc system the light beam pulses are then fed into a fiber optic cable where they are transmitted over long distances at the receiving end a light sensitive device known as a photocell or light detector is used to detect the light pulses

block diagram of optical fiber communication researchgate - Feb 25 2022

web optical fiber links comprise the best solution for implementing multimedia networks for fixed user locations

intro to fiber optic communication systems technical articles - Aug 02 2022

web feb 3 2021 as is illustrated in the block diagram below the optical fiber communication module mainly comprises a transmitter tx circuit and a receiver rx module a simple receiver transmitter block diagram as shown in the fiber optic data link above the transmitter is located on one end of the fiber cable while the receiver is

elements of fiber optic communication link block diagram of optical - May 11 2023

web jan 27 2021 in this video key elements block diagram of the optical fiber communication system are explained the basic elements in block diagram of the fiber optic communication system

draw the basic block diagram of optical fiber communication - Apr 29 2022

web transmission channel it consists of a cable that provides mechanical and environmental protection to the optical fibers contained inside each optical fiber acts as an individual channel optical splice is used to permanently join two individual optical fibers optical connector is for temporary non fixed joints between two individual optical

fiber optic analog and digital link amrita vishwa - Jul 01 2022

web a block diagram of a fiber optic communication system is shown below the process of communicating using an optical fiber involves the following a converting electrical signal to optical signal at the transmitter b transmission of optical signal to the cable

draw and explain basic block diagram of optical communication - Jul 13 2023

web jan 15 2022 optical fiber cable has two layers the core and cladding the optical fiber s refractive index causes internal reflection which can be protected under polyamides for protection as you use more energy and the layers increase and light does not pass from one fiber to another draw basic block diagram of optical communication system

optical fiber communications link communications britannica - Feb 08 2023

web an optical fibre communications link consists of the following elements an electro optical transmitter which converts analog or digital information into a modulated beam of light a light carrying fibre which spans the transmission path and an optoelectronic receiver which converts detected light into an electric current for read more

optical fiber communication block diagram youtube - Nov 24 2021

web nov 21 2017 this video lecture discusses the block diagram of optical fiber communication here you will learn functioning and purpose of each block stage used in optical fiber communication these

draw the block diagram of an optical fibre communication - May 31 2022

web 1 transmitter an electric signal is applied to the optical transmitter the optical transmitter consists of driver circuit light source and fiber flylead driver circuit drives the light source light source converts electrical signal to optical signal

a brief introduction to optical fiber communication systems - Mar 09 2023

web feb 3 2021 a brief introduction to optical fiber communication systems with an overview of the basic block diagram instead of using an electrical signal traveling over a cable or electromagnetic waves

optical fiber communication block diagram types applications - Sep 15 2023

web in this lecture we are going to learn about optical fiber communication a block diagram of optical fiber communication systems types and modes of optical fiber and the advantages and applications of optical fiber communication so let s start with the basic knowledge of what is communication and then we will learn about the optical fiber

draw and explain the block diagram of fiber optic communication - Apr 10 2023

web for creating long haul communication link it is necessary to join one fiber to other fibers permanently for this purpose optical splicing techniques are used to join different fibers optical coupler beam splitter

optical fiber communication block diagram types applications - Dec 26 2021

web block diagram of optics fiber communicating system fiber optic communication link is the transmission of information by the amplification of the optical signal with optical fibers over a required distance this involves able an ophthalmic signal out an electrically signal at the transmission end and change by the optical signal return to an

draw the block diagram of an optical fibre communication - Jun 12 2023

web draw the block diagram of an optical fibre communication system and explain function of each block advertisement solution the optical fiber consists of three main elements 1 transmitter an electric signal is applied to the optical transmitter the optical transmitter consists of driver circuit light source and fiber flylead

element of optical fiber transmission link ecstuff4u - Jan 27 2022

web general block diagram of optical communication system consists of following important blocks transmitter information channel receiver block diagram of ofc systems message origin generally message origin is from a transducer that converts a nonelectrical message into an electrical signal

block diagram of the fiber optic link download scientific diagram - Oct 24 2021

web context 1 described circuit has been developed for use in 40 gb s tdm fiber optic links a block diagram of such a link is shown in fig 1 the time division multiplexer collects

elements of optical fiber transmission link pdf fiber optic - Oct 04 2022

web optical components that require no electronic control for their operation 1 optical filter select only a narrow spectrum of desire light 2 optical splitters divide the power in an optical signal into a number of different branches

exam questions question bank course optical fiber communication - Mar 29 2022

web write the block diagram which shows main components in an optical fiber communication link explain briefly write the expression for channel capacity what is wdm explain briefly draw the attenuation curve with respect to wavelength and show the three main windows of optical fiber communication and their wavelengths

optical fiber construction characteristics modes block diagram - Jan 07 2023

web optical fiber construction characteristics modes block diagram uses home electronics communication system optical fiber the transmission media used for the communication of signals from one point to another are copper wires coaxial cables wave guides and radio links all these media have their own advantages and

optical fiber communication system block diagram - Aug 14 2023

web sep 28 2019 optical fiber communication system block diagram by sreejith hrishikesan september 28 2019 1 general light wave system communication systems that use high carrier frequencies in the near ir region of visible spectrum are called optical communication systems or general light wave systems

fiber optic communication system basic elements its - Dec 06 2022

web basic elements of a fiber optic communication system for gigabits and beyond gigabits transmission of data fiber optic communication is the ideal choice this type of communication is used to transmit voice video telemetry and data over long distances and local area networks or computer networks a fiber optic communication system

l im lier d entreprise choix juridiques financ copy eagldemo2 - May 31 2022

web analyse financière et évaluation d entreprise diagnostic stratégique 5e éd debates in the senate in its session of 1853 1854 jurisprudence générale 100 fiches pour comprendre la stratégie de l entreprise l im lier d entreprise choix juridiques financ downloaded from eagldemo2 eagltechnology com by guest darien layla

l immobilier d entreprise choix juridiques financ collectif pdf - Aug 14 2023

web l immobilier d entreprise choix juridiques financ l immobilier d entreprise choix juridiques financ 2 downloaded from bespoke cityam com on 2023 05 14 by guest entreprises familiales est souvent l objet d études de statistiques de recherche par la montée en puissance des écoles de commerce et des grands cabinets internationaux

l immobilier d entreprise choix juridiques financ book - Nov 24 2021

web apr 4 2023 l immobilier d entreprise choix juridiques financ when people should go to the book stores search instigation by shop shelf by shelf it is really problematic this is why we present the books compilations in this website it will

completely ease you to look guide l immobilier d entreprise choix juridiques financ as you such as

l immobilier d entreprise choix juridiques financ pdf full pdf - Apr 29 2022

web if you ally compulsion such a referred l immobilier d entreprise choix juridiques financ pdf books that will manage to pay for you worth get the unquestionably best seller from us currently from this l immobilier d entreprise choix juridiques financ pdf as one of the most lively sellers here will no question be along with the best options

quel type de société choisir afin d investir dans l immobilier - Apr 10 2023

web de nombreux statuts juridiques existent pour définir une société eurl sarl sas sasu sci sa etc dans le domaine de l immobilier locatif le choix doit être réduit aux statuts les plus avantageux sci société civile immobilière sarl familiale société à responsabilité limitée de famille ou sas société par actions

l immobilier d entreprise choix juridiques financ pdf pdf - Jul 01 2022

web l immobilier d entreprise choix juridiques financ pdf unveiling the magic of words a overview of l immobilier d entreprise choix juridiques financ pdf in a global defined by information and interconnectivity the enchanting power of

le patron de l Équipe laurent prud homme quitte le groupe - Mar 29 2022

web 11 hours ago laurent prud homme l actuel directeur général du groupe de média s apprête à quitter son poste le dirigeant âgé de 49 ans a accepté une nouvelle opportunité professionnelle et

23 best law firms in singapore singaporebest.com sg - Aug 02 2022

web sep 21 2022 the best law firms in singapore are listed below for you to get the best deals and services for your legal matters as mentioned earlier 1 best law firm in singapore tembusu law 2 best law firm in singapore singapore family lawyer 3 best law firm in singapore the singapore lawyer 4

immobilier d entreprise les règles juridiques que l entreprise doit - Oct 16 2023

web feb 27 2020 les règles juridiques applicables en matière d immobilier d entreprise construction organisation juridique et foncière acquisition détention cession sont nombreuses et leur maîtrise par l entreprise évite des

l immobilier d entreprise choix juridiques financiers et fiscaux - Jun 12 2023

web l immobilier d entreprise choix juridiques financiers et fiscaux by amoyel april 29th 2020 selon son choix l entrepreneur peut être salarié ou tns travailleur non salarié il a alors le choix entre plusieurs formes juridiques d entreprise a c selon son choix l

comment investir dans l immobilier grâce à son entreprise pretto - Mar 09 2023

web may 11 2023 vous êtes chef d entreprise et vous souhaitez investir dans l immobilier grâce à votre entreprise voici nos conseils pour le réussir votre investissement c est le moment de négocier votre achat immo

top 10 law firms in singapore list 2023 updated - Nov 05 2022

web additionally we have also acted for major housing developers and financial institutions on large projects we aim to provide quality timely and cost effective legal services tailored to suit your needs services sale purchase mortgage real estate financing retail corporate real estate landlord tenant

l immobilier d entreprise choix juridiques financ download only - May 11 2023

web l immobilier d entreprise choix juridiques financ marketing et services oct 14 2020 les clés de la création d entreprise et tous ceux qui sont passionnés par l entrepreneuriat choix du cours de rentabilité économique et de comptabilisation des opérations en les clés de la finance d entreprise

16 best law firms in singapore 2023 trusted competent - Sep 03 2022

web jul 11 2023 the recommended law firms below cover various practice areas from family law and syariah law to corporate law and commercial law you can consult these qualified lawyers for their legal expertise 1 best law firm tembusu law 2 top law firm the singapore lawyer 3 leading law firm singapore family lawyer

11 trustworthy law firms in singapore 2022 finest services - Oct 04 2022

web sep 18 2023 corporate and financial services intellectual property technology data international practices litigation dispute resolution regulatory senior counsel specialised practices tax price range contact details 65 6416 8000 address 12 marina boulevard level 28

singapore property lawyer fee costs to hire a conveyancing - Jan 07 2023

web which is most likely the case for private property transactions they will attempt to quote an additional 450 600 for cpf lawyer charge for hdb transactions it will be an extra of 250 300 for hdb cpf lawyer charge again this could and should have been included in the legal fee initially quoted to you

l immobilier d entreprise choix juridiques financ pdf - Sep 15 2023

web finance d entreprise feb 02 2023 l analyse des opérations qui structurent le bilan d une entreprise est fondamentale pour tout acteur souhaitant comprendre l impact des décisions financières sur les états financiers pour le permettre cet

l im lier d entreprise choix juridiques financ full pdf graph - Feb 25 2022

web l im lier d entreprise choix juridiques financ les nouveaux cadres du dialogue social structural and sectoral adjustment professional training of archivists de l importance de la morale et des opinions religieuses par m necker dictionnaire synonymique de la langue francaise revue générale de l électricité genie civil le savoir relier

l immobilier d entreprise choix juridiques financ julien moya - Feb 08 2023

web site to begin getting this info acquire the l immobilier d entreprise choix juridiques financ belong to that we come up with the money for here and check out the link you could purchase lead l immobilier d entreprise choix juridiques financ or get it

l immobilier d entreprise choix juridiques financiers et fiscaux - Oct 24 2021

web may 20 2023 le choix de la forme juridique de l entreprise est l une des questions essentielles de chaque porteur de projet de création d entreprise voici un tableau paratif des principales formes juridiques existantes l entreprise individuelle l eirl la sarl et l eurl la sas et la sasu

l immobilier d entreprise choix juridiques financ - Dec 06 2022

web just exercise just what we come up with the money for under as well as evaluation l immobilier d entreprise choix juridiques financ what you afterward to read l essentiel de l investissement immobilier fares zlitni 2021 03 17 les prix affichés de l immobilier sont de plus en plus élevés car l immobilier est devenu à la fois un

l immobilier d entreprise choix juridiques financiers et fiscaux - Jan 27 2022

web immobilier l immobilier d entreprise choix juridiques financiers les formes juridiques de l entreprise la finance pour tous en immobilier d entreprise le choix du bien est essentiel mastre 1 management de limmobilier esg immobilier nicolas dulion a propos de limmobilier dentreprise l entreprise immobilier prsentation de l entreprise

l im lier d entreprise choix juridiques financ pdf discover - Dec 26 2021

web l im lier d entreprise choix juridiques financ l entreprise du 21e siècle robert t kiyosaki livre audio entrepreneuriat comment créer et développer votre propre entreprise brian tracy livre audio pourquoi je ne crois pas à l entreprise libérée sylvain pierre tedxvaugirardroad vendeur d élite les techniques et secrets

comment financer le besoin immobilier de son entreprise partners finances - Jul 13 2023

web apr 13 2021 financer l immobilier d entreprise avec ses fonds propres avantages et inconvénients la plupart des entreprises choisissent de financer au moins une partie de leur immobilier avec des fonds propres ces derniers pourront être