

CLUTCH ADJUSTMENT

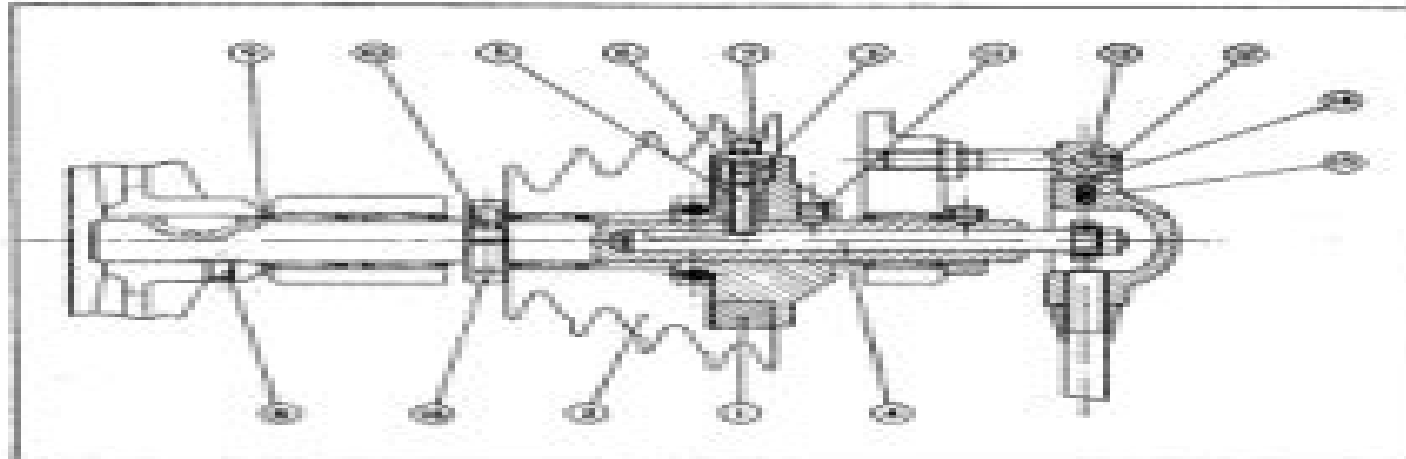


Fig. 14. Showing countershaft clutch layout.

Reference to Fig. 14 will show that the countershaft clutch consists of a split metal clutch ring (1) which can be expanded to grip the bore of the countershaft cone pulley (2). This expansion is accomplished by a wedge-shaped push-rod (3) which is thrust outwards by axial movement of the clutch actuating shaft (4).

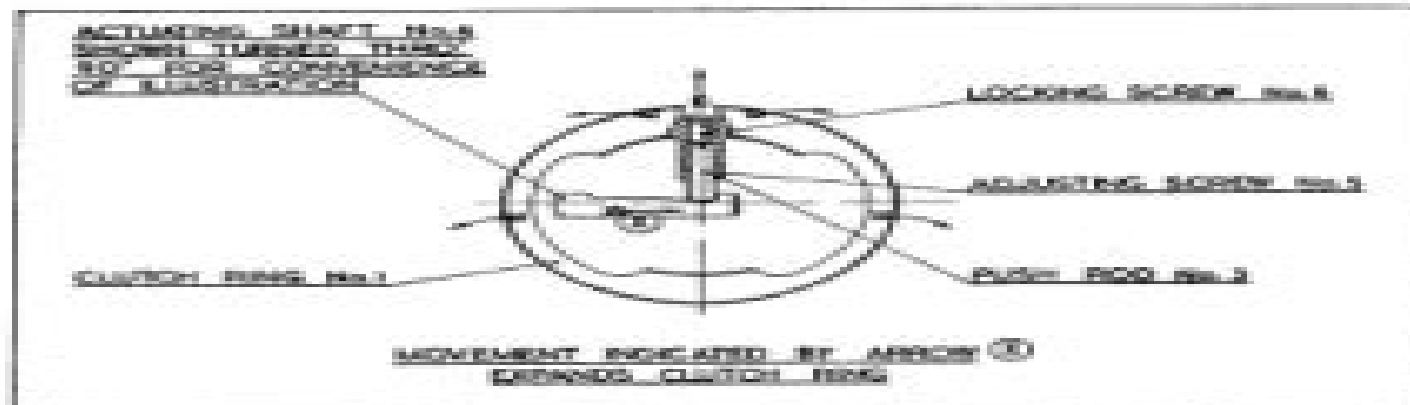


Fig. 15. Showing working principle of clutch.

During the early life of the machine, a certain amount of bedding in takes place between the clutch ring and the bore of the cone pulley and it may be necessary to re-set the push-rod (3). Setting of the push-rod is by rotating the adjusting screw (5) which is secured by the locking screw (6). A screwed plug (7) is provided in the large pulley step for access to the locking and adjusting screws.

MI Super 7 Manual

R Barnett



MI Super 7 Manual:

Technical Manual United States. War Department,1975-06 **AF Manual** United States. Department of the Air Force,1975 **Comprehensive Laboratory Manual of Life Sciences** Mamta Baunthiyal,Indu Ravi,Jyoti Saxena,2019-12-19 The present book *Comprehensive Laboratory Manual of Life Science* deals with practical trends in modern biological sciences It furnishes protocols on recent advances in biotechnological methods and aims to cover three most important aspects of this interdisciplinary stream such as Microbiology Biochemistry and Molecular biology The book contains four sections 1 Introduction emphasizes on good laboratory practices and etiquettes for beginners the do s and don ts of working in a laboratory concepts and terminology etc 2 Instruments Principle and Precautions explores commonly used equipments employed in different experiments 3 Experiments is further divided into three parts Microbiology with more than 70 experiments Biochemistry with 62 and Molecular Biology having around 32 detailed protocols accorded to make the readers proficient in the paramount disciplines of Bio Sciences and Biotechnology 4 Appendix at the end a rather comprehensive section that concludes the book This book is designed to meet the practical requirements of undergraduate and post graduate students of Life Science Biotechnology Microbiology Biochemistry and Biochemical Engineering by providing worked out solution to the most commonly practiced experiments prescribed by majority of Indian Universities The latest technological developments in the book will be appealing to the researchers and scientists The AGT Cytogenetics Laboratory Manual Marilyn S. Arsham,Margaret J. Barch,Helen J. Lawce,2017-03-03 Cytogenetics is the study of chromosome morphology structure pathology function and behavior The field has evolved to embrace molecular cytogenetic changes now termed cytogenomics Cytogeneticists utilize an assortment of procedures to investigate the full complement of chromosomes and or a targeted region within a specific chromosome in metaphase or interphase Tools include routine analysis of G banded chromosomes specialized stains that address specific chromosomal structures and molecular probes such as fluorescence in situ hybridization FISH and chromosome microarray analysis which employ a variety of methods to highlight a region as small as a single specific genetic sequence under investigation The *AGT Cytogenetics Laboratory Manual* Fourth Edition offers a comprehensive description of the diagnostic tests offered by the clinical laboratory and explains the science behind them One of the most valuable assets is its rich compilation of laboratory tested protocols currently being used in leading laboratories along with practical advice for nearly every area of interest to cytogeneticists In addition to covering essential topics that have been the backbone of cytogenetics for over 60 years such as the basic components of a cell use of a microscope human tissue processing for cytogenetic analysis prenatal constitutional and neoplastic laboratory safety and the mechanisms behind chromosome rearrangement and aneuploidy this edition introduces new and expanded chapters by experts in the field Some of these new topics include a unique collection of chromosome heteromorphisms clinical examples of genomic imprinting an example driven overview of chromosomal microarray

mathematics specifically geared for the cytogeneticist usage of ISCN's cytogenetic language to describe chromosome changes tips for laboratory management examples of laboratory information systems a collection of internet and library resources and a special chapter on animal chromosomes for the research and zoo cytogeneticist The range of topics is thus broad yet comprehensive offering the student a resource that teaches the procedures performed in the cytogenetics laboratory environment and the laboratory professional with a peer reviewed reference that explores the basis of each of these procedures This makes it a useful resource for researchers clinicians and lab professionals as well as students in a university or medical school setting

Monthly Catalog of United States Government Publications United States Superintendent of Documents,1994

Laboratory Manual of Microbiology, Biochemistry and Molecular Biology J. Saxena,M. Baunthiyal,I. Ravi,2015-05-01 Though many practical books are available in the market but this Laboratory Manual of Microbiology Biochemistry and Molecular Biology is an unique combination of protocols that covers maximum about 80% of the practicals of various Indian universities for UG and PG courses in Bioscience Biotechnology Microbiology Biochemistry and Biochemical Engineering

American Motorcyclist ,1986-02 American Motorcyclist magazine the official journal of the American Motorcyclist Association tells the stories of the people who make motorcycling the sport that it is It is available monthly to AMA members Become a part of the largest most diverse and most enthusiastic group of riders in the country by visiting our website or calling 800 AMA JOIN

Monthly Catalogue, United States Public Documents ,1994-11

PC Mag ,1999-02-23 PCMag.com is a leading authority on technology delivering Labs based independent reviews of the latest products and services Our expert industry analysis and practical solutions help you make better buying decisions and get more from technology

Manual of Clinical Laboratory Immunology Herman Friedman,John L. Fahey,1986

The Publishers Weekly ,1907

Popular Photography ,1984-11

Billboard ,1965-12-04 In its 114th year Billboard remains the world's premier weekly music publication and a diverse digital events brand content and data licensing platform Billboard publishes the most trusted charts and offers unrivaled reporting about the latest music video gaming media digital and mobile entertainment issues and trends

Popular Photography ,1996-09

The Organist and Choirmaster ,

Popular Photography ,1995-09

Popular Photography ,1994-05

Perpetual Trouble Shooter's Manual John Francis Rider,1936

Popular Photography ,1994-09

Miscellaneous Publication ,1927

Right here, we have countless books **Ml Super 7 Manual** and collections to check out. We additionally come up with the money for variant types and along with type of the books to browse. The okay book, fiction, history, novel, scientific research, as with ease as various extra sorts of books are readily handy here.

As this Ml Super 7 Manual, it ends stirring swine one of the favored books Ml Super 7 Manual collections that we have. This is why you remain in the best website to look the unbelievable book to have.

https://staging.conocer.cide.edu/files/browse/HomePages/John_J_Dargan_His_Dares_And_His_Deeds_A_Biography.pdf

Table of Contents Ml Super 7 Manual

1. Understanding the eBook Ml Super 7 Manual
 - The Rise of Digital Reading Ml Super 7 Manual
 - Advantages of eBooks Over Traditional Books
2. Identifying Ml Super 7 Manual
 - Exploring Different Genres
 - Considering Fiction vs. Non-Fiction
 - Determining Your Reading Goals
3. Choosing the Right eBook Platform
 - Popular eBook Platforms
 - Features to Look for in an Ml Super 7 Manual
 - User-Friendly Interface
4. Exploring eBook Recommendations from Ml Super 7 Manual
 - Personalized Recommendations
 - Ml Super 7 Manual User Reviews and Ratings
 - Ml Super 7 Manual and Bestseller Lists
5. Accessing Ml Super 7 Manual Free and Paid eBooks
 - Ml Super 7 Manual Public Domain eBooks

- MI Super 7 Manual eBook Subscription Services
- MI Super 7 Manual Budget-Friendly Options
- 6. Navigating MI Super 7 Manual eBook Formats
 - ePub, PDF, MOBI, and More
 - MI Super 7 Manual Compatibility with Devices
 - MI Super 7 Manual Enhanced eBook Features
- 7. Enhancing Your Reading Experience
 - Adjustable Fonts and Text Sizes of MI Super 7 Manual
 - Highlighting and Note-Taking MI Super 7 Manual
 - Interactive Elements MI Super 7 Manual
- 8. Staying Engaged with MI Super 7 Manual
 - Joining Online Reading Communities
 - Participating in Virtual Book Clubs
 - Following Authors and Publishers MI Super 7 Manual
- 9. Balancing eBooks and Physical Books MI Super 7 Manual
 - Benefits of a Digital Library
 - Creating a Diverse Reading Collection MI Super 7 Manual
- 10. Overcoming Reading Challenges
 - Dealing with Digital Eye Strain
 - Minimizing Distractions
 - Managing Screen Time
- 11. Cultivating a Reading Routine MI Super 7 Manual
 - Setting Reading Goals MI Super 7 Manual
 - Carving Out Dedicated Reading Time
- 12. Sourcing Reliable Information of MI Super 7 Manual
 - Fact-Checking eBook Content of MI Super 7 Manual
 - Distinguishing Credible Sources
- 13. Promoting Lifelong Learning
 - Utilizing eBooks for Skill Development
 - Exploring Educational eBooks

14. Embracing eBook Trends

- Integration of Multimedia Elements
- Interactive and Gamified eBooks

ML Super 7 Manual Introduction

ML Super 7 Manual Offers over 60,000 free eBooks, including many classics that are in the public domain. Open Library: Provides access to over 1 million free eBooks, including classic literature and contemporary works. ML Super 7 Manual Offers a vast collection of books, some of which are available for free as PDF downloads, particularly older books in the public domain. ML Super 7 Manual : This website hosts a vast collection of scientific articles, books, and textbooks. While it operates in a legal gray area due to copyright issues, its a popular resource for finding various publications. Internet Archive for ML Super 7 Manual : Has an extensive collection of digital content, including books, articles, videos, and more. It has a massive library of free downloadable books. Free-eBooks ML Super 7 Manual Offers a diverse range of free eBooks across various genres. ML Super 7 Manual Focuses mainly on educational books, textbooks, and business books. It offers free PDF downloads for educational purposes. ML Super 7 Manual Provides a large selection of free eBooks in different genres, which are available for download in various formats, including PDF. Finding specific ML Super 7 Manual, especially related to ML Super 7 Manual, might be challenging as theyre often artistic creations rather than practical blueprints. However, you can explore the following steps to search for or create your own Online Searches: Look for websites, forums, or blogs dedicated to ML Super 7 Manual, Sometimes enthusiasts share their designs or concepts in PDF format. Books and Magazines Some ML Super 7 Manual books or magazines might include. Look for these in online stores or libraries. Remember that while ML Super 7 Manual, sharing copyrighted material without permission is not legal. Always ensure youre either creating your own or obtaining them from legitimate sources that allow sharing and downloading. Library Check if your local library offers eBook lending services. Many libraries have digital catalogs where you can borrow ML Super 7 Manual eBooks for free, including popular titles. Online Retailers: Websites like Amazon, Google Books, or Apple Books often sell eBooks. Sometimes, authors or publishers offer promotions or free periods for certain books. Authors Website Occasionally, authors provide excerpts or short stories for free on their websites. While this might not be the ML Super 7 Manual full book , it can give you a taste of the authors writing style. Subscription Services Platforms like Kindle Unlimited or Scribd offer subscription-based access to a wide range of ML Super 7 Manual eBooks, including some popular titles.

FAQs About ML Super 7 Manual Books

How do I know which eBook platform is the best for me? Finding the best eBook platform depends on your reading preferences and device compatibility. Research different platforms, read user reviews, and explore their features before making a choice. Are free eBooks of good quality? Yes, many reputable platforms offer high-quality free eBooks, including classics and public domain works. However, make sure to verify the source to ensure the eBook credibility. Can I read eBooks without an eReader? Absolutely! Most eBook platforms offer web-based readers or mobile apps that allow you to read eBooks on your computer, tablet, or smartphone. How do I avoid digital eye strain while reading eBooks? To prevent digital eye strain, take regular breaks, adjust the font size and background color, and ensure proper lighting while reading eBooks. What the advantage of interactive eBooks? Interactive eBooks incorporate multimedia elements, quizzes, and activities, enhancing the reader engagement and providing a more immersive learning experience. ML Super 7 Manual is one of the best book in our library for free trial. We provide copy of ML Super 7 Manual in digital format, so the resources that you find are reliable. There are also many Ebooks of related with ML Super 7 Manual. Where to download ML Super 7 Manual online for free? Are you looking for ML Super 7 Manual PDF? This is definitely going to save you time and cash in something you should think about.

Find ML Super 7 Manual :

john j dargan his dares and his deeds a biography

[john alden carpenter a chicago composer](#)

[john mccain](#)

joel whitburns top country albums 19641997

[jocasta innes painted furniture](#)

john dee

[joao alvaro rocha 19912001](#)

[john mclaughlin western modernism eastern thought](#)

jogging a complete physical fitness program for al by harris w. e.

john prine

john pizzarelli live in montreal the big band

john bright

[job rights and survival strategies a handbook for terminated employees](#)

john day
john paul jones sailor here

ML Super 7 Manual :

Essentials of Strength Training and Conditioning, 4ed Developed by the National Strength and Conditioning Association (NSCA) and now in its fourth edition, Essentials of Strength Training and Conditioning is the ... Essentials of Strength Training and Conditioning Developed by the National Strength and Conditioning Association (NSCA) and now in its fourth edition, Essentials of Strength Training and Conditioning is ... Essentials of Strength Training and Conditioning 4th ... Developed by the National Strength and Conditioning Association (NSCA) and now in its fourth edition, Essentials of Strength Training and Conditioning is ... NSCA Store The NSCA Store offers the gear you need for your career as a fitness professional. Purchase apparel, educational books and resources, official NSCA ... NSCA -National Strength & Conditioning Association Top NSCA -National Strength & Conditioning Association titles ; Essentials of Strength Training and Conditioning ... NSCA NSCA's Certified Strength and Conditioning Specialist (CSCS) 4th Edition Online Study/CE Course Without Book.. (6). \$199.00 USD. Unit price /. BASICS OF STRENGTH AND CONDITIONING MANUAL by WA Sands · Cited by 53 — to the “Essentials of Strength Training and Conditioning” (3rd ed.) textbook (1). Through various reactions within the body, an intermediate molecule called ... Essentials of Strength Training and Conditioning - NSCA Developed by the National Strength and Conditioning Association (NSCA) and now in its fourth edition, Essentials of Strength Training and Conditioning is ... national strength conditioning association Exercise Technique Manual for Resistance Training-2nd Edition by NSCA -National Strength & Conditioning Association and a great selection of related books, ... A Soldier's Story A Soldier's Story is a 1984 American mystery drama film directed and produced by Norman Jewison, adapted by Charles Fuller from his Pulitzer Prize-winning A ... A Soldier's Story (1984) Alone, far from home, and far from justice, he has three days to learn the truth about a murder...and the truth is a story you won't forget. A Soldier's Story Captured and convicted of various crimes against the State, he spent much of the 1970s in prison, escaping twice. After each escape, he went underground and ... A Soldier's Play The story takes place at the United States Army's Fort Neal, Louisiana, in 1944 during the time when the military was racially segregated. In the opening scene, ... A Soldier's Story A black Army investigator (Howard E. Rollins Jr.) travels to a remote military base in the heart of the Louisiana backwoods to look into the mysterious murder ... Watch A Soldier's Story | Prime Video When a sergeant of an all-black unit in Louisiana during WWII is murdered, an Army lawyer investigates if the crime was an act of extreme white bigotry or ... A Soldier's Story - Denzel Washington Set in WW2, set in African-American troop training facilities, then a murder. Twist and turns solving the mystery. A Soldier's Story - Full Cast & Crew A black soldier is murdered on a racially divided military base in 1940s Louisiana. An officer is brought in to investigate

and discovers that anyone on the ... A Soldier's Story (1984) - Turner Classic Movies During World War II, an African-American officer investigates a murder that may have been racially motivated. Calculus For Biology and Medicine (3rd Edition) ... Calculus for Biology and Medicine, Third Edition, addresses the needs of readers in the biological sciences by showing them how to use calculus to analyze ... Calculus For Biology and Medicine (Calculus for ... Buy Calculus For Biology and Medicine (Calculus for Life Sciences Series) 3th (third) edition on Amazon.com ☐ FREE SHIPPING on qualified orders. Calculus For Biology and Medicine (3rd Edition ... Calculus For Biology and Medicine (3rd Edition) (Calculus for Life Sciences Series) by Neuhauser, Claudia - ISBN 10: 0321644689 - ISBN 13: 9780321644688 ... Calculus for Biology and Medicine - 3rd Edition - Solutions ... Find step-by-step solutions and answers to Calculus for Biology and Medicine - 9780321644688, as well as thousands of textbooks so you can move forward with ... Calculus For Biology and Medicine (3rd Edition) (... Calculus for Biology and Medicine, Third Edition, addresses the needs of readers in the biological sciences by showing them how to use calculus to analyze ... Calculus for Biology and Medicine - Claudia Neuhauser Calculus for Biology and Medicine, Third Edition, addresses the needs of readers in the biological sciences by showing them how to use calculus to analyze ... Calculus for Biology and Medicine 3rd Edition with ... Student's Solutions Manual, Max Sterelyukhin, ISBN: 978-0-321-64492-3. Calculus For Biology And Medicine 3rd Edition ... Feb 23, 2022 — in the biological sciences by showing them how to use calculus to analyze natural phenomena-without compromising the rigorous presentation. Calculus For Biology and Medicine Neuhauser 3rd Edition Series. Calculus ... Biostatistics, Calculus, Life Sciences / Biology. Lccn. 2009-027223. Dewey Decimal. 570.1/51. Dewey Edition. 23. Genre. Science, Mathematics, ... Calculus For Biology And Medicine 3rd Edition ... Jun 20, 2019 — "This book is designed to introduce doctoral and graduate students to the process of scientific research in the social.