

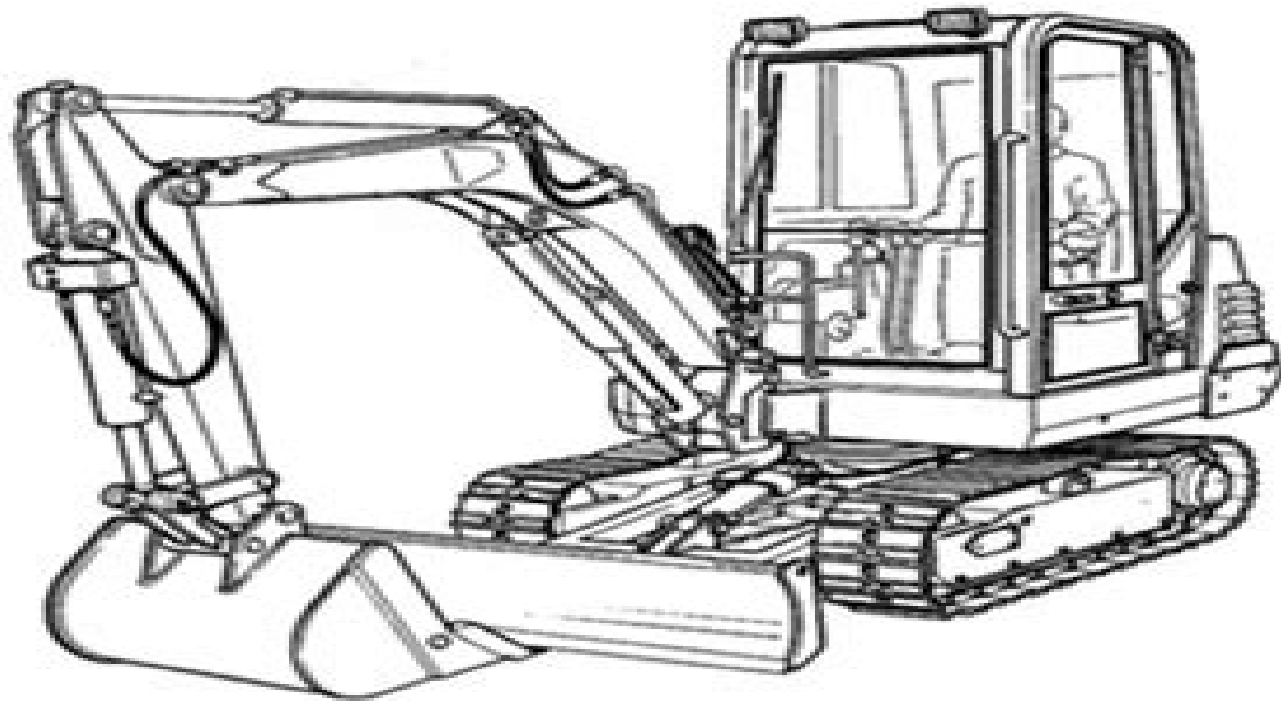


100% SATISFACTION GUARANTEE



Instant Download

# JCB 803 Tracked Excavator (Mini Excavator)



Operator's Manual

DO  
IT  
YOUR  
SELF

# Jcb Excavator Operator Manual 803

**Association of Equipment  
Manufacturers**



## **Jcb Excavator Operator Manual 803:**

*California Builder & Engineer*, 1999      **Farmers and Consumers Market Bulletin**, 2005      *JCB 3C MkIII Backhoe Loader (1977 onwards)* Julian Carder, 2016-11-18 This Manual will cover the JCB Backhoe Loader the iconic yellow digger variants of which have now been in production for over 50 years The book will be produced with the full co operation of JCB who are likely to take approx 2 000 copies to use for promotional activity to celebrate the company s 70th anniversary in October 2015 a year of celebrations is planed running until October 2016 JCB has an extensive archive from which material will be drawn for use in the book and it is envisaged that the project vehicle will be a classic 1979 3C Backhoe Loader revered by enthusiasts and the machine that took JCB from leading British manufacturer to a global player      Operator's Manual: Hydraulic Excavator, John Deere, Model 230LCR, NSN 3805-01-463-0804 and Model 230LCRD with Rock Drill, NSN 3805-01-463-0806 ,      **Operator's Manuals, Excavator** Ford Motor Company,      Hydraulic Excavator Association of Equipment Manufacturers, 2003      Operator's Manual , 1990      Compact Excavator Association of Equipment Manufacturers, 2003      **Operation & Maintenance Manual** Caterpillar Inc. Peoria, Ill., 1999      **Excavator Operator Handbook** Reiner Christian, 1999-07      *Operation & Maintenance Manual* Caterpillar Inc. Peoria, Ill., 1994      **X 331 Excavator Operation & Mantenance Manual (S/N 512913001 & Above)** Melroe/Ingersoll-Rand, 1996      Operator's Manual , 1990

Right here, we have countless books **Jcb Excavator Operator Manual 803** and collections to check out. We additionally give variant types and moreover type of the books to browse. The adequate book, fiction, history, novel, scientific research, as with ease as various further sorts of books are readily within reach here.

As this Jcb Excavator Operator Manual 803, it ends occurring swine one of the favored books Jcb Excavator Operator Manual 803 collections that we have. This is why you remain in the best website to look the amazing ebook to have.

[https://staging.conocer.cide.edu/files/virtual-library/Documents/Martini\\_Study\\_Guide.pdf](https://staging.conocer.cide.edu/files/virtual-library/Documents/Martini_Study_Guide.pdf)

## **Table of Contents Jcb Excavator Operator Manual 803**

1. Understanding the eBook Jcb Excavator Operator Manual 803
  - The Rise of Digital Reading Jcb Excavator Operator Manual 803
  - Advantages of eBooks Over Traditional Books
2. Identifying Jcb Excavator Operator Manual 803
  - Exploring Different Genres
  - Considering Fiction vs. Non-Fiction
  - Determining Your Reading Goals
3. Choosing the Right eBook Platform
  - Popular eBook Platforms
  - Features to Look for in an Jcb Excavator Operator Manual 803
  - User-Friendly Interface
4. Exploring eBook Recommendations from Jcb Excavator Operator Manual 803
  - Personalized Recommendations
  - Jcb Excavator Operator Manual 803 User Reviews and Ratings
  - Jcb Excavator Operator Manual 803 and Bestseller Lists
5. Accessing Jcb Excavator Operator Manual 803 Free and Paid eBooks
  - Jcb Excavator Operator Manual 803 Public Domain eBooks

- Jcb Excavator Operator Manual 803 eBook Subscription Services
- Jcb Excavator Operator Manual 803 Budget-Friendly Options
- 6. Navigating Jcb Excavator Operator Manual 803 eBook Formats
  - ePub, PDF, MOBI, and More
  - Jcb Excavator Operator Manual 803 Compatibility with Devices
  - Jcb Excavator Operator Manual 803 Enhanced eBook Features
- 7. Enhancing Your Reading Experience
  - Adjustable Fonts and Text Sizes of Jcb Excavator Operator Manual 803
  - Highlighting and Note-Taking Jcb Excavator Operator Manual 803
  - Interactive Elements Jcb Excavator Operator Manual 803
- 8. Staying Engaged with Jcb Excavator Operator Manual 803
  - Joining Online Reading Communities
  - Participating in Virtual Book Clubs
  - Following Authors and Publishers Jcb Excavator Operator Manual 803
- 9. Balancing eBooks and Physical Books Jcb Excavator Operator Manual 803
  - Benefits of a Digital Library
  - Creating a Diverse Reading Collection Jcb Excavator Operator Manual 803
- 10. Overcoming Reading Challenges
  - Dealing with Digital Eye Strain
  - Minimizing Distractions
  - Managing Screen Time
- 11. Cultivating a Reading Routine Jcb Excavator Operator Manual 803
  - Setting Reading Goals Jcb Excavator Operator Manual 803
  - Carving Out Dedicated Reading Time
- 12. Sourcing Reliable Information of Jcb Excavator Operator Manual 803
  - Fact-Checking eBook Content of Jcb Excavator Operator Manual 803
  - Distinguishing Credible Sources
- 13. Promoting Lifelong Learning
  - Utilizing eBooks for Skill Development
  - Exploring Educational eBooks

#### 14. Embracing eBook Trends

- Integration of Multimedia Elements
- Interactive and Gamified eBooks

### **Jcb Excavator Operator Manual 803 Introduction**

Jcb Excavator Operator Manual 803 Offers over 60,000 free eBooks, including many classics that are in the public domain. Open Library: Provides access to over 1 million free eBooks, including classic literature and contemporary works. Jcb Excavator Operator Manual 803 Offers a vast collection of books, some of which are available for free as PDF downloads, particularly older books in the public domain. Jcb Excavator Operator Manual 803 : This website hosts a vast collection of scientific articles, books, and textbooks. While it operates in a legal gray area due to copyright issues, its a popular resource for finding various publications. Internet Archive for Jcb Excavator Operator Manual 803 : Has an extensive collection of digital content, including books, articles, videos, and more. It has a massive library of free downloadable books. Free-eBooks Jcb Excavator Operator Manual 803 Offers a diverse range of free eBooks across various genres. Jcb Excavator Operator Manual 803 Focuses mainly on educational books, textbooks, and business books. It offers free PDF downloads for educational purposes. Jcb Excavator Operator Manual 803 Provides a large selection of free eBooks in different genres, which are available for download in various formats, including PDF. Finding specific Jcb Excavator Operator Manual 803, especially related to Jcb Excavator Operator Manual 803, might be challenging as theyre often artistic creations rather than practical blueprints. However, you can explore the following steps to search for or create your own Online Searches: Look for websites, forums, or blogs dedicated to Jcb Excavator Operator Manual 803, Sometimes enthusiasts share their designs or concepts in PDF format. Books and Magazines Some Jcb Excavator Operator Manual 803 books or magazines might include. Look for these in online stores or libraries. Remember that while Jcb Excavator Operator Manual 803, sharing copyrighted material without permission is not legal. Always ensure youre either creating your own or obtaining them from legitimate sources that allow sharing and downloading. Library Check if your local library offers eBook lending services. Many libraries have digital catalogs where you can borrow Jcb Excavator Operator Manual 803 eBooks for free, including popular titles. Online Retailers: Websites like Amazon, Google Books, or Apple Books often sell eBooks. Sometimes, authors or publishers offer promotions or free periods for certain books. Authors Website Occasionally, authors provide excerpts or short stories for free on their websites. While this might not be the Jcb Excavator Operator Manual 803 full book , it can give you a taste of the authors writing style. Subscription Services Platforms like Kindle Unlimited or Scribd offer subscription-based access to a wide range of Jcb Excavator Operator Manual 803 eBooks, including some popular titles.

## FAQs About Jcb Excavator Operator Manual 803 Books

**What is a Jcb Excavator Operator Manual 803 PDF?** A PDF (Portable Document Format) is a file format developed by Adobe that preserves the layout and formatting of a document, regardless of the software, hardware, or operating system used to view or print it. **How do I create a Jcb Excavator Operator Manual 803 PDF?** There are several ways to create a PDF: Use software like Adobe Acrobat, Microsoft Word, or Google Docs, which often have built-in PDF creation tools. Print to PDF: Many applications and operating systems have a "Print to PDF" option that allows you to save a document as a PDF file instead of printing it on paper. Online converters: There are various online tools that can convert different file types to PDF. **How do I edit a Jcb Excavator Operator Manual 803 PDF?** Editing a PDF can be done with software like Adobe Acrobat, which allows direct editing of text, images, and other elements within the PDF. Some free tools, like PDFescape or Smallpdf, also offer basic editing capabilities. **How do I convert a Jcb Excavator Operator Manual 803 PDF to another file format?** There are multiple ways to convert a PDF to another format: Use online converters like Smallpdf, Zamzar, or Adobe Acrobats export feature to convert PDFs to formats like Word, Excel, JPEG, etc. Software like Adobe Acrobat, Microsoft Word, or other PDF editors may have options to export or save PDFs in different formats. **How do I password-protect a Jcb Excavator Operator Manual 803 PDF?** Most PDF editing software allows you to add password protection. In Adobe Acrobat, for instance, you can go to "File" -> "Properties" -> "Security" to set a password to restrict access or editing capabilities. Are there any free alternatives to Adobe Acrobat for working with PDFs? Yes, there are many free alternatives for working with PDFs, such as: LibreOffice: Offers PDF editing features. PDFsam: Allows splitting, merging, and editing PDFs. Foxit Reader: Provides basic PDF viewing and editing capabilities. How do I compress a PDF file? You can use online tools like Smallpdf, ILovePDF, or desktop software like Adobe Acrobat to compress PDF files without significant quality loss. Compression reduces the file size, making it easier to share and download. Can I fill out forms in a PDF file? Yes, most PDF viewers/editors like Adobe Acrobat, Preview (on Mac), or various online tools allow you to fill out forms in PDF files by selecting text fields and entering information. Are there any restrictions when working with PDFs? Some PDFs might have restrictions set by their creator, such as password protection, editing restrictions, or print restrictions. Breaking these restrictions might require specific software or tools, which may or may not be legal depending on the circumstances and local laws.

**Find Jcb Excavator Operator Manual 803 :**

**[martini study guide](#)**

**[maryland highway traffic report](#)**

[marvel avengers the ultimate character guide](#)

**marx s capital**

[martin luther king report for kids](#)

[marlysa t0le waltras eacutepisode](#)

[martin guitar company omc artinger 1 guitars owners manual](#)

[marquette treadmill 2015 manual](#)

[maskew miller grade 1 english question paper](#)

[maroc citeacutes impeacuteriales moyenatlas et est du maroc](#)

**maruti suzuki wiring parts catalogue**

[mary bloody mary](#)

[martha stewart recipe oven fried chicken](#)

[marque learning center workbook 2012 answers](#)

**marking scheme for german igcse 2005**

### **Jcb Excavator Operator Manual 803 :**

**grade 10 business studies past exam papers** - Sep 09 2023

web past exam papers for grade 10 business studies 2023 2015 past march june september and november exam papers

memos available in both afrikaans and english caps exam papers

**business studies exam papers grade 10 pdf prof** - Apr 23 2022

web business studies grade 12 exam papers and memos my courses business studies grade 12 september 2020 past exam

papers and pdf grade 12 business studies term 3 control test 2 2017 teacha 2019 a l business studies full past paper possible

essay questions for business studies grade 11 full download business

*business studies grade 10 exam question papers control tests* - Oct 30 2022

web feb 10 2021 business studies grade 10 exam question papers control tests and notes 2023 free study guides pdf

download february 10 2021

**business studies grade 10 past papers sa papers** - Sep 28 2022

web business studies government grade 10 past papers access the largest collection of past exam papers for grade 10 caps

the memos and exam papers are available in afrikaans and english prepare for your grade 10 exams with our collection of

past papers and study resources

[grade 10 business studies past papers wiki](#) - Nov 30 2022



web jan 5 2022 grade 10 business studies grade 10 business studies download grade 10 business studies past papers model papers term test papers grade 10 business studies short notes in sinhala english and tamil medium subject grade 10 business studies notes short notes □ □ □ 1 □ □ □ □ □ □ □ 1 □ □ □ □ □ □ □ 2

**business studies grade 10 past exam papers and memos pdf** - Oct 10 2023

web sep 9 2022 download the business studies grade 10 exam papers and memos 2023 here the papers and memos are available for download in pdf format including memorandum past paper and sample test aucfinder

latest business studies grade 10 past papers memos and study - May 25 2022

web latest business studies grade 10 past papers memos and study guides 2023 2022 2021 2020 download free latest business studies grade 10 past papers memos and study guides pdf essays topics are also available for some subjects

**business studies grade 10 controlled tests and exam question papers** - May 05 2023

web revision notes materials we have gathered plenty of study notes for caps and ieb curriculums for term 1 term 2 term 3 and term 4 previous exam question papers past exam papers include february march june september and november the following years 2022 2021 2020 2019 2018 2017 and 2016

cambridge igcse business studies 0450 - Jul 07 2023

web cambridge igcse business studies 0450 past papers examiner reports and specimen papers you can download one or more papers for a previous session please note that these papers may not reflect the content of the current syllabus

**grade 10 november 2020 business studies p1** - Feb 02 2023

web the marking guideline only the total for each question should appear in the left hand margin next to the appropriate question number 7 in an indirect question the theory as well as the response must be relevant and related to the question 8 incorrect numbering of questions or sub questions in sections a and b will be severely penalised

**2023 grade 10 bstd exam guidelines business studies examination** - Jul 27 2022

web presentation of business information relationships and team performance business studies grade 10 paper 2 19 db 2023 examination guidelines meaning of a business opportunity and give practical examples importance of assessing needs and desires in identifying a business opportunity

*gr10 business studies exam p1 2 nov 2022 teacha* - Mar 23 2022

web nov 2 2022 last updated october 14 2022 6 use by you or one client in a single end product which end users are not charged for the total price includes the item price and a buyer fee grade 10 business studies final exam paper 1 and 2 november 2022

**grade 10 business studies bs september paper 1 memo** - Feb 19 2022

web grade 10 business studies september paper and memo total 100 marks time 90min contents of the exam paper contains

the following details section a short questions compulsory 20 marks 15 min section b three direct indirect type questions choice answer only two 20 marks 30 min

**grade 10 november 2020 business studies p1 exemplar** - Aug 08 2023

web nov 10 2020 choose the answer to each question must start on a new page for example question 2 on a new page question 3 on a new page question 2 business environments 2 1 define the meaning of micro environment 4 2 2 describe the importance of a business s organisational structure 4 2 3 read the

business studies grade 10 2020 past papers and memos - Jan 01 2023

web aug 17 2021 business studies grade 10 2020 past papers and memos pdf for download list of business studies grade 10 2020 past papers and memos paper 1

**grade 10 november 2020 business studies p2** - Jun 06 2023

web grade 10 november 2020 business studies p2 exemplar marks 150 time 2 hours question paper no marks will be awarded for answers that are numbered incorrectly 4 except where other instructions are given answers must be written in full sentences 5 use the mark allocation and nature of each question to determine the

*business studies grade 10 exam papers and memos my courses* - Apr 04 2023

web may 16 2020 business studies grade 10 controlled tests and exam question papers notes and study guides 2023 2022 2021 2020 business studies grade 11 controlled tests exam question papers notes and study guides 2023 2022 2021 2020 business studies grade 12 papers and memos with notes pdf download marketing

*grade 10 nsc past papers memos business studies* - Jun 25 2022

web dec 14 2021 see the downloadable link below for your required past exam paper with the memorandum these past papers are for learners in grade 10 go ahead and click on the following link s below in order to download the required grade 10 nsc past papers memos grade 10 business studies

past exam papers grade 10 business studies awsum - Aug 28 2022

web jan 29 2020 past exam papers grade 10 business studies by meinette van zyl 29th january 2020 47379 0 title categories link tags past exam papers previous article past exam papers grade 10 next article past exam papers grade 10 related articles more from author past exam papers

**business studies grade 10 term 1 test studylib net** - Mar 03 2023

web advertisement grade 10 term 1 business studies test this paper consists of 3 sections section a answer all of the questions section b there are two questions you must answer one question only section c there are two questions you must answer one question only 20 marks 40 marks 40 marks section a answer all questions in

*the champagne guide 2018 2019 the definitive guide to* - Nov 24 2021

web something went wrong view cart for details

[the champagne guide 2018 2019 the definitive guide to](#) - Apr 29 2022

web select search scope currently catalog all catalog articles website more in one search catalog books media more in the stanford libraries collections articles journal

*the champagne guide 2018 2019 the definitive guide to* - Mar 09 2023

web the champagne guide 2018 2019 the definitive guide to champagne author tyson stelzer author summary the world s most comprehensive and up to date guide to

[the champagne guide 2018 2019 the definitive guide to](#) - Jan 27 2022

web buy the champagne guide 2018 2019 the definitive guide to champagne by tyson stelzer online at alibris we have new and used copies available in 1 editions starting

**the champagne guide 2018 2019 the definitive guide to champagne** - Feb 08 2023

web the champagne guide 2018 2019 the definitive guide to champagne author tyson stelzer summary the world s most comprehensive and up to date guide to

**the champagne guide 2018 2019 the definitive guide to** - Jul 01 2022

web the champagne guide 2018 2019 contains fully independent assessments with profiles and ratings of over 100 champagne producers from the smallest growers to the

*the champagne guide 2018 2019 the definitive guide to* - Nov 05 2022

web fully updated and ready to thrill the champagne guide 2018 2019 by international wine spirit competition communicator of the year tyson stelzer is an indispensable guide to

**the champagne guide 2018 2019 the definitive guide to** - Aug 14 2023

web the champagne guide 2018 2019 the definitive guide to champagne tyson stelzer amazon com tr kitap

**the champagne guide 2018 2019 the definitive guide to** - Sep 03 2022

web the champagne guide 2018 2019 the definitive guide to champagne stelzer tyson 9781743793183 books amazon ca

*the champagne guide 2020 2021 hardback tyson stelzer* - Oct 24 2021

web the champagne guide 2020 2021 hardback 59 95 you are ordering direct from the author a signature and personal greeting may be requested on check out the best

[the champagne guide 2018 2019 apple books](#) - May 31 2022

web the definitive global book on champagne radio 2ue the best guide ever published on champagne the sydney morning herald an indispensable book i recommend it

*the champagne guide 2018 2019 the definitive guide to* - Mar 29 2022

web the champagne guide 2018 2019 the definitive guide to champagne stelzer tyson amazon sg books

the champagne guide 2018 2019 the definitive guide - May 11 2023

web buy the champagne guide 2018 2019 the definitive guide to champagne 01 by tyson stelzer isbn 9781743793183 from amazon s book store everyday low prices and

the champagne guide 2018 2019 the definitive guide to - Jan 07 2023

web the champagne guide 2018 2019 the definitive guide to champagne stelzer tyson amazon com au books

**the champagne guide 2018 2019 the definitive guide to** - Aug 02 2022

web the champagne guide 2018 2019 contains fully independent assessments with profiles and ratings of over 100 champagne producers from the smallest growers to the largest

**the champagne guide 2018 2019 google books** - Apr 10 2023

web p praise for previous editions p p attention to detail is quite extraordinary p p james halliday p p the definitive global book on

*the champagne guide 2018 2019 the definitive guide to* - Jun 12 2023

web nov 14 2017 the champagne guide 2018 2019 contains fully independent assessments with profiles and ratings of over 100 champagne producers from the smallest growers

**the ultimate guide to champagne amazon com** - Sep 22 2021

web sep 10 2016 paperback 32 94 2 used from 27 29 1 new from 32 94 liz palmer s the ultimate guide to champagne has garnered praise from numerous influential wine

**the champagne guide 2018 2019 the definitive guide to** - Dec 06 2022

web the champagne hall of honour ranks the best producers in champagne this year and the best champagnes of the year under 60 under 100 under 200 at any price and the

**buy the champagne guide 2018 2019 the definitive guide to** - Feb 25 2022

web amazon in buy the champagne guide 2018 2019 the definitive guide to champagne book online at best prices in india on amazon in read the champagne guide 2018

*the champagne guide 2018 2019 the definitive guide to* - Oct 04 2022

web the champagne guide 2018 2019 the definitive guide to champagne ebook written by tyson stelzer read this book using google play books app on your pc android

**the champagne guide 2018 2019 booktopia** - Dec 26 2021

web the champagne guide 2018 2019 the definitive guide to champagne by tyson stelzer 9781743793183 booktopia books non fiction cooking food drink food

[the champagne guide 2018 2019 the definitive guide to](#) - Jul 13 2023

web nov 14 2017 the champagne guide 2018 2019 contains fully independent assessments with profiles and ratings of over 100 champagne producers from the smallest growers

**results for preschool daily report tpt** - Dec 08 2022

web the file includes 20 versions of the sheet there are 5 basic versions to be used depending on the child s age they includes napping times milk and food eaten diaper changes daily activates and demeanor each of the 5 age versions comes with two different titles and in color or black and white

**daily reports for infants toddlers and preschoolers brightwheel** - Apr 12 2023

web sep 30 2022 each age group infants toddlers and preschoolers will have different information that s important to share in a daily report here we ll break down the basics of what should go into the ideal daily sheet for each age range we ve also included free printable daycare daily sheet templates for you to use for each age group

**6 preschool daily report templates in pdf** - Oct 06 2022

web 6 preschool daily report templates 1 free simple preschool daily report template 2 free preschool daily report format 3 free basic preschool daily report template 4 free sample preschool daily report template 5 free preschool daily report direction template 6 free formal preschool daily report example report template

**free daily report templates for preschool managers sandbox** - Aug 16 2023

web daily reports are printable sheets that childcare daycare and preschool centers use to track all the daily activities for each child so they can share it with parents at the end of the day these sheets include items like diaper changes naps meals etc

[editable daily schedule for preschool pre k pages](#) - Mar 31 2022

web free editable daily schedule for preschool templates for both full and half day programs are included just type in your own times print and go these free daily schedule templates will help you quickly and easily create a schedule for your preschool pre k or kindergarten classroom

*printable daycare preschool daily report templates procare* - Feb 10 2023

web may 12 2021 procare s child care experts have developed this free daycare daily report template that you can print and use at your center it has everything you need to keep parents informed and up to date on their child s progress in every age group

*infant toddler and preschool daily reports brightwheel* - Jan 09 2023

web brightwheel s activity feed and daily report the 1 childcare software that enables you and your staff to easily record activities share real time updates send daily reports and access the learning portfolio for every child infant toddler or

preschooler watch the video

**free templates for day nurseries and childcare providers** - May 01 2022

web free templates and forms for nurseries preschools day care centres childminders and after school programs feel free to use our downloadable and templates at your nursery preschool day care centre after school program or childcare centre can't be bothered with the humdrum download print write file routine every day

*infant toddler daily reports free printable himama* - Mar 11 2023

web free infant toddler and preschool daily reports templates pee poo eat sleep repeat make sure you keep good notes for mom and dad looking to save paper try one of our free infant daily reports with multiple reports per page want to save all 40 of our printable child care templates including sign in sheets menus lesson plans and more

**preschool daily sheet template brightwheel** - May 13 2023

web a free printable daily sheet template for preschoolers effective daily sheets can help you build trust with families at your preschool download this free preschool daily sheet template which will help you record information on meals and naps learning highlights additional notes

childcare templates and forms for childcare centers brightwheel - Aug 04 2022

web a free printable template for creating lesson plans download now preschool daily sheet a printable preschool daily sheet to help you communicate with parents download now toddler daily sheet a printable toddler daily sheet to help you communicate with parents download now activities across developmental domains

free daycare forms templates pdf safetyculture - Jan 29 2022

web aug 15 2023 daycare form templates streamline daycare operations with a mobile app daily daycare form start using template eliminate paperwork with digital checklists generate reports from completed checklists free to use for up to 10 users preview sample digital report preview sample pdf report

*19 preschool daily schedule templates in pdf doc* - Dec 28 2021

web 19 preschool daily schedule templates 1 preschool schedule template 2 preschool daily schedule template 3 sample preschool daily schedule in pdf 6 steps to creating a daily schedule 4 basic preschool daily schedule in pdf 5 standard preschool daily schedule template 6 immersion preschool daily

*preschool daily sheet template preschool daily sheets preschool* - Jul 03 2022

web a free printable daily metal template for preschoolers effective daily sheets can help you build trust with families at your preschool load get free preschool journal sheet template the will online you record information at

**daycare templates free sheets for childcare centers himama** - Jun 02 2022

web free printable forms for childcare centers hand written reports dragging you down you've come to the right place

himama has a wide assortment of flexible easy to use childcare templates for any program to save time choose from a wide selection of printable forms and get started

[free custom printable preschool worksheet templates canva](#) - Jun 14 2023

web preschool worksheet templates have fun educational activities on hand to keep the little ones engaged in learning use these customizable preschool worksheet ideas from canva to create tests and assignments that tots will enjoy skip to end of list all filters skip to start of list 3 552 templates create a blank preschool worksheet

**free daily sign in sheet for preschool pre k pages** - Jul 15 2023

web a free printable sign in sheet template for preschool or pre k use this template to create a daily morning routine that includes fine motor development you can easily add pictures of your students to this template to make it more meaningful and easy to use perfect for writing practice and attendance tracking too

[toddler daily sheet template for childcare centers and preschools](#) - Nov 07 2022

web a free printable daily sheet template for toddlers effective daily sheets can help you build trust with families at your childcare or preschool center download this free toddler daily sheet template which will help you record information on meals and naps bathroom and potty training details

**free printable preschool worksheets preschool mom** - Feb 27 2022

web these free preschool activities worksheets have been developed with your busy preschool students in mind and they are organized below into preschool themes you can use for your weekly lesson planning we cover all of the main preschool topics including alphabet worksheets number recognition shape worksheets color science tracing

**free preschool template download in word google docs** - Sep 05 2022

web select from our vast choices of daily reports lesson plans and daily receipts find them in blank or with sample content to guide you get access to all preschool templates designs documents instant download filter by edit online microsoft word google docs microsoft excel