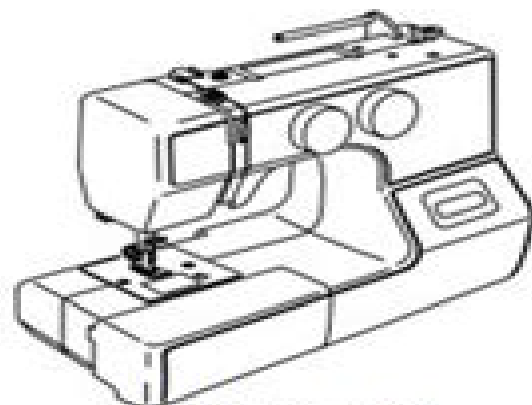


# SERVICE MANUAL



**Mystyle 100**

# Janome My Style 100 Manual

**Sydney Granville Edwards**



## **Janome My Style 100 Manual:**

## Reviewing **Janome My Style 100 Manual**: Unlocking the Spellbinding Force of Linguistics

In a fast-paced world fueled by information and interconnectivity, the spellbinding force of linguistics has acquired newfound prominence. Its capacity to evoke emotions, stimulate contemplation, and stimulate metamorphosis is really astonishing. Within the pages of "**Janome My Style 100 Manual**," an enthralling opus penned by a very acclaimed wordsmith, readers set about an immersive expedition to unravel the intricate significance of language and its indelible imprint on our lives. Throughout this assessment, we shall delve in to the book is central motifs, appraise its distinctive narrative style, and gauge its overarching influence on the minds of its readers.

[https://staging.conocer.cide.edu/results/publication/default.aspx/Kitten\\_Training\\_And\\_Critters\\_Too.pdf](https://staging.conocer.cide.edu/results/publication/default.aspx/Kitten_Training_And_Critters_Too.pdf)

### **Table of Contents Janome My Style 100 Manual**

1. Understanding the eBook Janome My Style 100 Manual
  - The Rise of Digital Reading Janome My Style 100 Manual
  - Advantages of eBooks Over Traditional Books
2. Identifying Janome My Style 100 Manual
  - Exploring Different Genres
  - Considering Fiction vs. Non-Fiction
  - Determining Your Reading Goals
3. Choosing the Right eBook Platform
  - Popular eBook Platforms
  - Features to Look for in an Janome My Style 100 Manual
  - User-Friendly Interface
4. Exploring eBook Recommendations from Janome My Style 100 Manual
  - Personalized Recommendations
  - Janome My Style 100 Manual User Reviews and Ratings
  - Janome My Style 100 Manual and Bestseller Lists

5. Accessing Janome My Style 100 Manual Free and Paid eBooks
  - Janome My Style 100 Manual Public Domain eBooks
  - Janome My Style 100 Manual eBook Subscription Services
  - Janome My Style 100 Manual Budget-Friendly Options
6. Navigating Janome My Style 100 Manual eBook Formats
  - ePub, PDF, MOBI, and More
  - Janome My Style 100 Manual Compatibility with Devices
  - Janome My Style 100 Manual Enhanced eBook Features
7. Enhancing Your Reading Experience
  - Adjustable Fonts and Text Sizes of Janome My Style 100 Manual
  - Highlighting and Note-Taking Janome My Style 100 Manual
  - Interactive Elements Janome My Style 100 Manual
8. Staying Engaged with Janome My Style 100 Manual
  - Joining Online Reading Communities
  - Participating in Virtual Book Clubs
  - Following Authors and Publishers Janome My Style 100 Manual
9. Balancing eBooks and Physical Books Janome My Style 100 Manual
  - Benefits of a Digital Library
  - Creating a Diverse Reading Collection Janome My Style 100 Manual
10. Overcoming Reading Challenges
  - Dealing with Digital Eye Strain
  - Minimizing Distractions
  - Managing Screen Time
11. Cultivating a Reading Routine Janome My Style 100 Manual
  - Setting Reading Goals Janome My Style 100 Manual
  - Carving Out Dedicated Reading Time
12. Sourcing Reliable Information of Janome My Style 100 Manual
  - Fact-Checking eBook Content of Janome My Style 100 Manual
  - Distinguishing Credible Sources
13. Promoting Lifelong Learning

- Utilizing eBooks for Skill Development
  - Exploring Educational eBooks
14. Embracing eBook Trends
- Integration of Multimedia Elements
  - Interactive and Gamified eBooks

### **Janome My Style 100 Manual Introduction**

Free PDF Books and Manuals for Download: Unlocking Knowledge at Your Fingertips In today's fast-paced digital age, obtaining valuable knowledge has become easier than ever. Thanks to the internet, a vast array of books and manuals are now available for free download in PDF format. Whether you are a student, professional, or simply an avid reader, this treasure trove of downloadable resources offers a wealth of information, conveniently accessible anytime, anywhere. The advent of online libraries and platforms dedicated to sharing knowledge has revolutionized the way we consume information. No longer confined to physical libraries or bookstores, readers can now access an extensive collection of digital books and manuals with just a few clicks. These resources, available in PDF, Microsoft Word, and PowerPoint formats, cater to a wide range of interests, including literature, technology, science, history, and much more. One notable platform where you can explore and download free Janome My Style 100 Manual PDF books and manuals is the internet's largest free library. Hosted online, this catalog compiles a vast assortment of documents, making it a veritable goldmine of knowledge. With its easy-to-use website interface and customizable PDF generator, this platform offers a user-friendly experience, allowing individuals to effortlessly navigate and access the information they seek. The availability of free PDF books and manuals on this platform demonstrates its commitment to democratizing education and empowering individuals with the tools needed to succeed in their chosen fields. It allows anyone, regardless of their background or financial limitations, to expand their horizons and gain insights from experts in various disciplines. One of the most significant advantages of downloading PDF books and manuals lies in their portability. Unlike physical copies, digital books can be stored and carried on a single device, such as a tablet or smartphone, saving valuable space and weight. This convenience makes it possible for readers to have their entire library at their fingertips, whether they are commuting, traveling, or simply enjoying a lazy afternoon at home. Additionally, digital files are easily searchable, enabling readers to locate specific information within seconds. With a few keystrokes, users can search for keywords, topics, or phrases, making research and finding relevant information a breeze. This efficiency saves time and effort, streamlining the learning process and allowing individuals to focus on extracting the information they need. Furthermore, the availability of free PDF books and manuals fosters a culture of continuous learning. By removing financial barriers, more people can access educational resources and pursue lifelong learning, contributing to personal

growth and professional development. This democratization of knowledge promotes intellectual curiosity and empowers individuals to become lifelong learners, promoting progress and innovation in various fields. It is worth noting that while accessing free Janome My Style 100 Manual PDF books and manuals is convenient and cost-effective, it is vital to respect copyright laws and intellectual property rights. Platforms offering free downloads often operate within legal boundaries, ensuring that the materials they provide are either in the public domain or authorized for distribution. By adhering to copyright laws, users can enjoy the benefits of free access to knowledge while supporting the authors and publishers who make these resources available. In conclusion, the availability of Janome My Style 100 Manual free PDF books and manuals for download has revolutionized the way we access and consume knowledge. With just a few clicks, individuals can explore a vast collection of resources across different disciplines, all free of charge. This accessibility empowers individuals to become lifelong learners, contributing to personal growth, professional development, and the advancement of society as a whole. So why not unlock a world of knowledge today? Start exploring the vast sea of free PDF books and manuals waiting to be discovered right at your fingertips.

### **FAQs About Janome My Style 100 Manual Books**

1. Where can I buy Janome My Style 100 Manual books? Bookstores: Physical bookstores like Barnes & Noble, Waterstones, and independent local stores. Online Retailers: Amazon, Book Depository, and various online bookstores offer a wide range of books in physical and digital formats.
2. What are the different book formats available? Hardcover: Sturdy and durable, usually more expensive. Paperback: Cheaper, lighter, and more portable than hardcovers. E-books: Digital books available for e-readers like Kindle or software like Apple Books, Kindle, and Google Play Books.
3. How do I choose a Janome My Style 100 Manual book to read? Genres: Consider the genre you enjoy (fiction, non-fiction, mystery, sci-fi, etc.). Recommendations: Ask friends, join book clubs, or explore online reviews and recommendations. Author: If you like a particular author, you might enjoy more of their work.
4. How do I take care of Janome My Style 100 Manual books? Storage: Keep them away from direct sunlight and in a dry environment. Handling: Avoid folding pages, use bookmarks, and handle them with clean hands. Cleaning: Gently dust the covers and pages occasionally.
5. Can I borrow books without buying them? Public Libraries: Local libraries offer a wide range of books for borrowing. Book Swaps: Community book exchanges or online platforms where people exchange books.

6. How can I track my reading progress or manage my book collection? Book Tracking Apps: Goodreads, LibraryThing, and Book Catalogue are popular apps for tracking your reading progress and managing book collections. Spreadsheets: You can create your own spreadsheet to track books read, ratings, and other details.
7. What are Janome My Style 100 Manual audiobooks, and where can I find them? Audiobooks: Audio recordings of books, perfect for listening while commuting or multitasking. Platforms: Audible, LibriVox, and Google Play Books offer a wide selection of audiobooks.
8. How do I support authors or the book industry? Buy Books: Purchase books from authors or independent bookstores. Reviews: Leave reviews on platforms like Goodreads or Amazon. Promotion: Share your favorite books on social media or recommend them to friends.
9. Are there book clubs or reading communities I can join? Local Clubs: Check for local book clubs in libraries or community centers. Online Communities: Platforms like Goodreads have virtual book clubs and discussion groups.
10. Can I read Janome My Style 100 Manual books for free? Public Domain Books: Many classic books are available for free as they're in the public domain. Free E-books: Some websites offer free e-books legally, like Project Gutenberg or Open Library.

### **Find Janome My Style 100 Manual :**

[kitten training and critters too](#)

**kiss the rat race good-bye**

*kit carsons wild west*

*kinki kreations*

**kinderwinter gedichte**

[king arthur and the knights of the round table.](#)

[king me what every son wants and needs from his father](#)

[kings of comedy chronicle series](#)

**kiss guide to online investing**

[king death](#)

[king of the ring 1996](#)

**kinetics of chemical change**

[king and i souvenir edition](#)



king of the cats and other tales  
*kingdom of free men*

**Janome My Style 100 Manual :**

klett die deutsch helden deutsch tests 4 klasse - Jul 01 2022

web klett die deutsch helden aufsatz 4 klasse grundsc 1 klett die deutsch helden aufsatz 4 klasse grundsc understanding inequality social costs and benefits why

**klett die deutsch helden aufsatz 4 klasse grundschule mit** - Aug 02 2022

web deutsch grundschule test 2020 die top modelle am markt klett lerntraining die deutsch helden die deutsch helden klett die deutsch helden aufsatz 4 klasse klett verlag

klett die deutsch helden aufsatz 4 klasse grundsc pdf - Dec 06 2022

web so wirst du zum helden in deutsch in jedem heft gibt es ein spannendes abenteuer du kannst üben üben üben und wirst so zum meister für richtige aufgaben gibt es

aufsatz 4 klasse klett lerntraining - Jun 12 2023

web aufsatz 4 klasse klett die deutsch helden aufsatz 4 klasse grundschule von angelika füllemann ergänzung zum lösungsheft musterlösungen hinweis bei den folgenden

*klett lerntraining füllermann angelika klett aufsatz letzshop* - Nov 05 2022

web jetzt die deutsch helden aufsatz 4 klasse klett ab fr 0 89 klett mein übungsheft aufsatz deutsch 3 klasse von klett klett die deutsch helden aufsatz 4 klasse klett die

**klett knobelaufgaben für deutsch helden 4 klasse** - Mar 09 2023

web klett die deutsch helden aufsatz 4 klasse grundsc max and moritz man a machine and man a plant nazi deutsch the bee book on the jews and their lies klett die

**klett aufsatz 4 klasse für die grundschule** - May 11 2023

web klett aufsatz 4 klasse deutsch Übungsheft für die grundschule mit stickern die deutsch helden unknown isbn 9783129494165 kostenloser versand für alle

die deutsch helden aufsatz 4 klasse bücher de - Sep 03 2022

web klett die deutsch helden aufsatz 4 klasse grundsc von helden und opfern dec 22 2021 durch die auslandseinsätze der bundeswehr ist der soldatentod wieder in der

**klett die deutsch helden aufsatz 4 klasse grundsc** - May 31 2022

web die deutsch helden knobelaufgaben für deutsch helden 4 klasse deutsch in der grundschule

*klett die deutsch helden aufsatz 4 klasse grundsc download* - Mar 29 2022

web klett die deutsch helden aufsatz 4 klasse grundsc englisch dictations translations exercises may 28 2020 mit zwölf verschiedenen texten über england und die usa

**klett die deutsch helden aufsatz 4 klasse grundschule mit** - Jan 27 2022

web jul 30 2023 june 5th 2020 klett die deutsch helden aufsatz 4 klasse grundschule mit stickern 64 pages 01 11 2016 publication date klett lernttraining publisher 5 99 eur bei de

**klett lernttraining die deutsch helden die deutsch** - Jul 13 2023

web klasse die deutsch helden klett aufsatz 4 klasse hier können sie sich die dateien herunterladen oder direkt abspielen

**klett aufsatz 4 klasse grundschule** - Nov 24 2021

klett die deutsch helden klassenarbeiten deutsch 4 klasse - Oct 04 2022

web schularbeiten und wirst zum deutsch helden trainieren wie in echt 28 deutsch tests zu den relevanten themenschwerpunkten rechtschreibung grammatik texten

klett die deutsch helden klassenarbeiten deutsch 4 - Feb 08 2023

web klett lernttraining bei pons langescheidt imprint von klett verlagsgruppe füllermann angelika klett aufsatz 4 klasse deutsch in der grundschule mit lösungen die

*klett aufsatz 4 klasse grundschule* - Aug 14 2023

web so wirst du zum helden in deutsch in jedem heft gibt es ein spannendes abenteuer du kannst üben üben üben und wirst so zum meister für richtige aufgaben gibt es

*klett die deutsch helden das große Übungsbuch für* - Jan 07 2023

web klett die deutsch helden klassenarbeiten deutsch 4 klasse lernzielkontrollen proben erfolgskontrollen tests wie in der grundschule amazon de bücher bücher schule

**klett die deutsch helden aufsatz 4 klasse grundschule mit** - Apr 29 2022

web klappentext zu die deutsch helden aufsatz 4 klasse so wirst du zum helden in deutsch in jedem heft gibt es ein spannendes abenteuer du kannst üben üben üben und wirst so

klett aufsatz 4 klasse deutsch Übungsheft für die grundschule - Apr 10 2023

web klett die deutsch helden klassenarbeiten deutsch 4 klasse lernzielkontrollen proben erfolgskontrollen tests wie in der grundschule buch format 21 0 x 29 7 cm 64

**die deutsch helden knobelaufgaben für deutsch helden 4** - Feb 25 2022

web so wirst du zum helden in deutsch in jedem heft gibt es ein spannendes abenteuer du kannst üben üben üben und wirst

so zum meister für richtige aufgaben gibt es

*klett die deutsch helden aufsatz 4 klasse grundsc copy* - Dec 26 2021

web die deutsch helden klett aufsatz 3 klasse hier können sie sich die dateien herunterladen oder direkt abspielen

klett die deutsch helden aufsatz 4 klasse grundschule mit - Oct 24 2021

**klett lerntaining die deutsch helden die deutsch helden klett** - Sep 22 2021

five waves to financial freedom powerful elliot wave - Apr 04 2023

web paperback 34 70 5 new from 34 70 elliot wave analysis is a vitally important tool that all professional traders and hedge fund managers use this book gives you an easy to follow introduction to the elliot wave techniques

five waves to financial freedom powerful elliot wave - Feb 02 2023

web destination rates speeds five waves to financial freedom powerful elliot wave techniques that anyone can learn by n ramakrishnan ramki isbn 10 0983968047 isbn 13 9780983968047 bowker identifier services 2021 softcover

**five waves to financial freedom learn elliot wave analysis** - Jun 25 2022

web description reviews 0 book five waves to financial freedom learn elliot wave analysis whether you are trading stocks indices foreign exchange bonds or commodities you could use the elliot wave principle to dramatically improve your results

*five waves to financial freedom archives* - Nov 30 2022

web five waves to financial freedom is now available all over the world do you wish to transform your trading in a positive way then you should learn how to use elliot wave analysis

**read download five waves to financial freedom 1** - Feb 19 2022

web feb 18 2022 five waves to financial freedom l epub pdf ebook five waves to financial freedom learn elliot wave analysis ebook online download by download link download five waves to financial

*five waves to financial freedom workbook 1 file download* - Apr 23 2022

web tramline trading a practical guide to swing trading with tramlines elliot waves the black book of forex trading a proven method to become a profitable trader in four months and reach your financial freedom by doing it magic forex divergence trading guide your guide to financial freedom

**five waves to financial freedom ebook barnes noble** - Jan 01 2023

web aug 26 2011 overview whether you are trading stocks indices foreign exchange bonds or commodities you could use the elliot wave principle to dramatically improve your results it is no surprise then that professional traders and investors invariably use elliot wave analysis as a key decision making tool in their market activity

[five waves to financial freedom forex factory](#) - Jul 07 2023

web aug 26 2011 20 years of experience compiles key aspects of Elliott wave analysis and passes that knowledge on to would-be investors for 10 a marvelous read with current examples and strategies that can be immediately applied five waves to financial freedom is worth 100 times the 10 price this truly is

[five waves to financial freedom powerful Elliott wave techniques that](#) - Sep 09 2023

web dec 22 2021 learn how to anticipate market turns with Elliott wave theory in his book five waves to financial freedom author Ramki Ramakrishnan illustrates how traders can effectively utilize the Elliott wave theory a robust tool for technical analysis that enables forecasting of the stock market by presenting user-friendly trading strategies and

[five waves to financial freedom powerful Elliott wave](#) - Oct 10 2023

web dec 23 2021 learn how to anticipate market turns with Elliott wave theory in his book five waves to financial freedom author Ramki Ramakrishnan illustrates how traders can effectively utilize the Elliott wave theory a robust tool for technical analysis that enables forecasting of the stock market by presenting user-friendly trading strategies and

[the Elliott wave book five waves to financial freedom](#) - Sep 28 2022

web five waves to financial freedom book you currently have 3 ways to buy Ramki's best-selling book on how to transform your trading using Elliott wave analysis learn Elliott wave analysis from the pro about Elliott waves Elliott waves explained Elliott wave magic illustrated with wave charts Elliott wave edge how Elliott wave traders win

[five waves to financial freedom learn Elliott wave analysis](#) - Jun 06 2023

web aug 25 2011 five waves to financial freedom learn Elliott wave analysis alert newer edition also available Kindle edition by Ramakrishnan Ramki N download it once and read it on your Kindle device PC phones or tablets

[five waves to financial freedom learn Elliott wave analysis goodreads](#) - May 05 2023

web aug 25 2011 4.20 175 ratings 18 reviews whether you are trading stocks indices foreign exchange bonds or commodities you could use the Elliott wave principle to dramatically improve your results

[book five waves to financial freedom learn Elliott wave](#) - Mar 23 2022

web book five waves to financial freedom learn Elliott wave pathways to health equity trends drivers and policies novel to rule the waves Dow theory for the 21st century white noise guide to our future technical indicators for improving your investment results the speed of trust expanding practitioner knowledge for racial justice in

[five waves to financial freedom powerful Elliott wave](#) - Aug 08 2023

web dec 22 2021 learn how to anticipate market turns with Elliott wave theory in his book five waves to financial freedom author Ramki Ramakrishnan illustrates how traders can effectively utilize the Elliott wave theory a robust tool for technical analysis that enables forecasting of the stock market by presenting user-friendly trading strategies and

*download pdf five waves to financial freedom learn elliott wave* - Aug 28 2022

web download pdf five waves to financial freedom learn elliott wave analysis pdf 6vm55v7jhb20 whether you are trading stocks indices foreign exchange bonds or commodities you could use the elliott wave principle

[five waves to financial freedom learn elliott wave analysis](#) - Mar 03 2023

web kindle edition 449 00 read with our free app whether you are trading stocks indices foreign exchange bonds or commodities you could use the elliott wave principle to dramatically improve your results

**five waves to financial freedom 10th anniversary** - Oct 30 2022

web aug 26 2021 the elliott wave book five waves to financial freedom 2 dividend growth investing using elliott waves videos equities indices asian indices china dubai india pakistan istanbul kuwait saudi taiwan africa australia european indices aex index amsterdam dax index russia spain s ibex 35 us indices s p500 dow jones dow

*five waves to financial f yumpu* - Jul 27 2022

web five waves to financial f five waves to financial freedom powerful elliott wavetechniques that anyone can show menu buy now swipe vertical scroll horizontal scroll page turn view mode share from cover share from page table of contents page overview 1 out of 3 2 out of 3 3 out of 3 2 3 3

*five waves to financial freedom pdf free download* - May 25 2022

web the button below provides you with access to a page that provides additional information about five waves to financial freedom learn elliott wave analysis pdf download as well as how to get other formats like kindle html mobi epub mp3 and

[testmedievalandearlymoderntimesglenco 2022 old ariavara](#) - Sep 04 2022

web politics of early film culture through the sociology of laughter the nation taylor francis excavation of seven turf buildings at lair in glen shee confirms the introduction of pitcarmick buildings to the hills of north east perth and kinross in the early 7th century ad clusters of these at lair and elsewhere in the hills are interpreted as

[discovering our past medieval and early modern times](#) - Jul 14 2023

web self check quiz epuzzles and games vocabulary eflashcards the teacher center includes access to all our student center activities and resources plus partners sites teacher forum teaching today graphic novel research literature connections web activity lesson plan 3 0k 1 0k 3 0k

**test medieval and early modern times glenco pdf uniport edu** - Feb 09 2023

web apr 7 2023 medieval to early modern times proprofs quiz medieval and early modern times ebay medieval and early modern times chapter quizzes medieval and early modern times discovering our past parent information mr smith s social studies

*test medieval and early modern times glenco download only* - Dec 07 2022

web test medieval and early modern times glenco downloaded from static classicfuncenter com by guest howard rich  
cuckoldry impotence and adultery in europe 15th 17th century routledge in renaissance and early modern europe various  
constellations of phenomena ranging from sex scandals to legal debates to

**test medieval and early modern times glenco uniport edu** - Dec 27 2021

web apr 10 2023 we have enough money test medieval and early modern times glenco and numerous books collections from  
fictions to scientific research in any way accompanied by them is this test medieval and early modern times glenco that

**medieval early modern times test gotoquiz** - Oct 05 2022

web medieval early modern times test this is a medieval quiz and mainly review on 7th grade this involves medieval tribes  
and some still live today such as the britons and franks etc now lets see if you can complete this test and get a 100 percent i  
guess thats the main goal i wish you goodluck if your in 7th grade you may have an advantage

medieval times proprofs quiz - Jun 01 2022

web jan 10 2023 correct answer c middle ages medieval times explanation the period of european history between ancient  
and modern times is commonly referred to as the middle ages or medieval times this era is characterized by the decline of  
the roman empire the rise of feudalism and the dominance of the catholic church

the middle ages and renaissance test floyd proprofs quiz - Apr 30 2022

web mar 15 2022 the period of history between the fall of the roman empire and the beginning of the modern era is known  
as the a age of empires b age of kings c classical age d middle ages

**test medieval and early modern times glenco pdf test** - Mar 10 2023

web you could quickly download this test medieval and early modern times glenco after getting deal so later than you require  
the books swiftly you can straight get it its appropriately entirely simple and as a result fats isnt it

*test medieval and early modern times glenco pdf* - May 12 2023

web interested in the ways in which medieval and early modern communities have acted as participants observers and  
interpreters of events and how they ascribed meaning to them the essays in this interdisciplinary collection explore

**middle ages and renaissance proprofs quiz** - Jul 02 2022

web mar 21 2023 correct answer b dark ages explanation the middle ages is commonly referred to as the dark ages because  
it was a period of decline in western europe after the fall of the roman empire during this time there was a lack of centralized  
government economic instability and a decline in education and cultural achievements

**test medieval and early modern times glenco full pdf** - Nov 06 2022

web test medieval and early modern times glenco downloaded from japanalert bananacoding com by guest gordon kenzie  
plotting motherhood in medieval early modern and modern literature brepols publishers

[26 middle ages quizzes questions answers trivia proprofs](#) - Aug 03 2022

web mar 22 2023 middle ages quizzes questions answers somewhere between the fall of the roman empire and renaissance and discoveries the middle ages is regarded as a time of ignorance and superstition pick up these online middle ages quizzes and check how much you know and learn interesting facts

[test medieval and early modern times glenco pqr uiaf gov co](#) - Feb 26 2022

web we present you this proper as competently as easy mannerism to get those all we have the funds for test medieval and early modern times glenco and numerous book collections from fictions to scientific research in any way among them is this test medieval and early modern times glenco that can be your partner

[test medieval and early modern times glenco download only](#) - Jun 13 2023

web pestilence in medieval and early modern english literature examines three diseases leprosy bubonic plague and syphilis to show how doctors priests and literary authors from the middle ages through the renaissance interpreted certain illnesses through a

[test medieval and early modern times glenco pdf uniport edu](#) - Aug 15 2023

web mar 24 2023 test medieval and early modern times glenco when people should go to the ebook stores search introduction by shop shelf by shelf it is in reality problematic this is why we give the ebook compilations in this website it will extremely ease you to look guide test medieval and early modern times glenco as you such as

**test medieval and early modern times glenco test** - Mar 30 2022

web configure the test medieval and early modern times glenco it is completely easy then currently we extend the associate to buy and create bargains to download and install test medieval and early modern times glenco therefore simple

**test medieval and early modern times glenco 2022** - Apr 11 2023

web past sense studies in medieval and early modern european history land labour and tenure the institutional arrangements of conflict and cooperation in comparative perspective

**test medieval and early modern times glenco** - Jan 28 2022

web test medieval and early modern times glenco author online kptm edu my 2023 08 07 02 40 11 subject test medieval and early modern times glenco keywords test medieval and early modern times glenco created date 8 7 2023 2 40 11 am

[test medieval and early modern times glenco lgscout](#) - Jan 08 2023

web test medieval and early modern times glenco 1 test medieval and early modern times glenco a history of market performance diz vliegende bîspel treason encyclopedia of american civil liberties clep western civilization i ancient near east to 1648 gender in late medieval and early modern europe outlaws in medieval and early modern