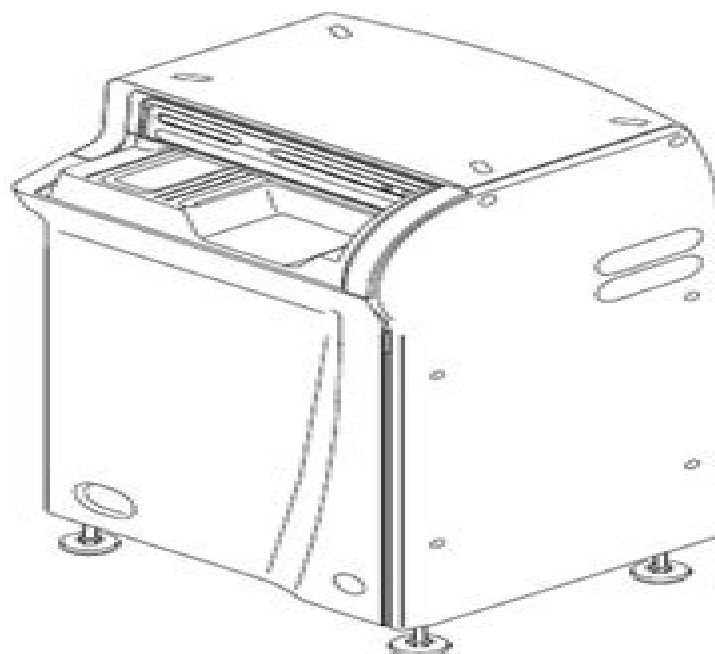


FCR XG-1

CR-IR346RU

Service Manual



Document No. 010-051-06
1st Edition - Oct. 10, 2000
Revised Edition - April 20, 2002

Fuji Photo Film Co., Ltd.
Printed in Japan

Fuji Fcr Xg 1 Console Manual

Siddappa N.Byrareddy



Fuji Fcr Xg 1 Console Manual:

Ignite the flame of optimism with Crafted by is motivational masterpiece, Find Positivity in **Fuji Fcr Xg 1 Console Manual** . In a downloadable PDF format (PDF Size: *), this ebook is a beacon of encouragement. Download now and let the words propel you towards a brighter, more motivated tomorrow.

https://staging.conocer.cide.edu/About/uploaded-files/HomePages/little_vampires_diary.pdf

Table of Contents Fuji Fcr Xg 1 Console Manual

1. Understanding the eBook Fuji Fcr Xg 1 Console Manual
 - The Rise of Digital Reading Fuji Fcr Xg 1 Console Manual
 - Advantages of eBooks Over Traditional Books
2. Identifying Fuji Fcr Xg 1 Console Manual
 - Exploring Different Genres
 - Considering Fiction vs. Non-Fiction
 - Determining Your Reading Goals
3. Choosing the Right eBook Platform
 - Popular eBook Platforms
 - Features to Look for in an Fuji Fcr Xg 1 Console Manual
 - User-Friendly Interface
4. Exploring eBook Recommendations from Fuji Fcr Xg 1 Console Manual
 - Personalized Recommendations
 - Fuji Fcr Xg 1 Console Manual User Reviews and Ratings
 - Fuji Fcr Xg 1 Console Manual and Bestseller Lists
5. Accessing Fuji Fcr Xg 1 Console Manual Free and Paid eBooks
 - Fuji Fcr Xg 1 Console Manual Public Domain eBooks
 - Fuji Fcr Xg 1 Console Manual eBook Subscription Services
 - Fuji Fcr Xg 1 Console Manual Budget-Friendly Options
6. Navigating Fuji Fcr Xg 1 Console Manual eBook Formats

- ePub, PDF, MOBI, and More
 - Fuji Fcr Xg 1 Console Manual Compatibility with Devices
 - Fuji Fcr Xg 1 Console Manual Enhanced eBook Features
7. Enhancing Your Reading Experience
 - Adjustable Fonts and Text Sizes of Fuji Fcr Xg 1 Console Manual
 - Highlighting and Note-Taking Fuji Fcr Xg 1 Console Manual
 - Interactive Elements Fuji Fcr Xg 1 Console Manual
 8. Staying Engaged with Fuji Fcr Xg 1 Console Manual
 - Joining Online Reading Communities
 - Participating in Virtual Book Clubs
 - Following Authors and Publishers Fuji Fcr Xg 1 Console Manual
 9. Balancing eBooks and Physical Books Fuji Fcr Xg 1 Console Manual
 - Benefits of a Digital Library
 - Creating a Diverse Reading Collection Fuji Fcr Xg 1 Console Manual
 10. Overcoming Reading Challenges
 - Dealing with Digital Eye Strain
 - Minimizing Distractions
 - Managing Screen Time
 11. Cultivating a Reading Routine Fuji Fcr Xg 1 Console Manual
 - Setting Reading Goals Fuji Fcr Xg 1 Console Manual
 - Carving Out Dedicated Reading Time
 12. Sourcing Reliable Information of Fuji Fcr Xg 1 Console Manual
 - Fact-Checking eBook Content of Fuji Fcr Xg 1 Console Manual
 - Distinguishing Credible Sources
 13. Promoting Lifelong Learning
 - Utilizing eBooks for Skill Development
 - Exploring Educational eBooks
 14. Embracing eBook Trends
 - Integration of Multimedia Elements
 - Interactive and Gamified eBooks

Fuji Fcr Xg 1 Console Manual Introduction

Free PDF Books and Manuals for Download: Unlocking Knowledge at Your Fingertips In todays fast-paced digital age, obtaining valuable knowledge has become easier than ever. Thanks to the internet, a vast array of books and manuals are now available for free download in PDF format. Whether you are a student, professional, or simply an avid reader, this treasure trove of downloadable resources offers a wealth of information, conveniently accessible anytime, anywhere. The advent of online libraries and platforms dedicated to sharing knowledge has revolutionized the way we consume information. No longer confined to physical libraries or bookstores, readers can now access an extensive collection of digital books and manuals with just a few clicks. These resources, available in PDF, Microsoft Word, and PowerPoint formats, cater to a wide range of interests, including literature, technology, science, history, and much more. One notable platform where you can explore and download free Fuji Fcr Xg 1 Console Manual PDF books and manuals is the internets largest free library. Hosted online, this catalog compiles a vast assortment of documents, making it a veritable goldmine of knowledge. With its easy-to-use website interface and customizable PDF generator, this platform offers a user-friendly experience, allowing individuals to effortlessly navigate and access the information they seek. The availability of free PDF books and manuals on this platform demonstrates its commitment to democratizing education and empowering individuals with the tools needed to succeed in their chosen fields. It allows anyone, regardless of their background or financial limitations, to expand their horizons and gain insights from experts in various disciplines. One of the most significant advantages of downloading PDF books and manuals lies in their portability. Unlike physical copies, digital books can be stored and carried on a single device, such as a tablet or smartphone, saving valuable space and weight. This convenience makes it possible for readers to have their entire library at their fingertips, whether they are commuting, traveling, or simply enjoying a lazy afternoon at home. Additionally, digital files are easily searchable, enabling readers to locate specific information within seconds. With a few keystrokes, users can search for keywords, topics, or phrases, making research and finding relevant information a breeze. This efficiency saves time and effort, streamlining the learning process and allowing individuals to focus on extracting the information they need. Furthermore, the availability of free PDF books and manuals fosters a culture of continuous learning. By removing financial barriers, more people can access educational resources and pursue lifelong learning, contributing to personal growth and professional development. This democratization of knowledge promotes intellectual curiosity and empowers individuals to become lifelong learners, promoting progress and innovation in various fields. It is worth noting that while accessing free Fuji Fcr Xg 1 Console Manual PDF books and manuals is convenient and cost-effective, it is vital to respect copyright laws and intellectual property rights. Platforms offering free downloads often operate within legal boundaries, ensuring that the materials they provide are either in the public domain or authorized for distribution. By adhering to copyright laws, users can enjoy the benefits of free access to knowledge while supporting the authors and publishers who

make these resources available. In conclusion, the availability of Fuji Fcr Xg 1 Console Manual free PDF books and manuals for download has revolutionized the way we access and consume knowledge. With just a few clicks, individuals can explore a vast collection of resources across different disciplines, all free of charge. This accessibility empowers individuals to become lifelong learners, contributing to personal growth, professional development, and the advancement of society as a whole. So why not unlock a world of knowledge today? Start exploring the vast sea of free PDF books and manuals waiting to be discovered right at your fingertips.

FAQs About Fuji Fcr Xg 1 Console Manual Books

How do I know which eBook platform is the best for me? Finding the best eBook platform depends on your reading preferences and device compatibility. Research different platforms, read user reviews, and explore their features before making a choice. Are free eBooks of good quality? Yes, many reputable platforms offer high-quality free eBooks, including classics and public domain works. However, make sure to verify the source to ensure the eBook credibility. Can I read eBooks without an eReader? Absolutely! Most eBook platforms offer web-based readers or mobile apps that allow you to read eBooks on your computer, tablet, or smartphone. How do I avoid digital eye strain while reading eBooks? To prevent digital eye strain, take regular breaks, adjust the font size and background color, and ensure proper lighting while reading eBooks. What the advantage of interactive eBooks? Interactive eBooks incorporate multimedia elements, quizzes, and activities, enhancing the reader engagement and providing a more immersive learning experience. Fuji Fcr Xg 1 Console Manual is one of the best book in our library for free trial. We provide copy of Fuji Fcr Xg 1 Console Manual in digital format, so the resources that you find are reliable. There are also many Ebooks of related with Fuji Fcr Xg 1 Console Manual. Where to download Fuji Fcr Xg 1 Console Manual online for free? Are you looking for Fuji Fcr Xg 1 Console Manual PDF? This is definitely going to save you time and cash in something you should think about.

Find Fuji Fcr Xg 1 Console Manual :

[little vampires diary](#)

live love and laugh

[livewire real lives mum shirl](#)

[living in ancient rome](#)

[lives of the poets addison savage etc](#)

living in groups

little red riding hood and friends shufflepicture

littles and the summer storm

little robots pb

lives of the lord chancellors 1885-1940

~~little witchs dinosaur~~

little sins big problems

living family a canadian perspective

little woman wanted noise

little scottish address

Fuji Fcr Xg 1 Console Manual :

final exam testbank for marieb 9e pdf pdf - Jul 01 2022

web final exam testbank for marieb 9e pdf pages 3 22 final exam testbank for marieb 9e pdf upload herison k grant 3 22
downloaded from china int indonesia travel on september 5 2023 by herison k grant provides up to date information on how
good project management and effective use of software can

final exam testbank for marieb 9e 2022 admin youtility co - Nov 05 2022

web final exam testbank for marieb 9e downloaded from admin youtility co uk by guest cody freeman a photographic atlas for
anatomy physiology springer since its first edition human anatomy as been praised for its clarity of presentation its
outstanding visually oriented illustration program and its ability to help users understand

final exam testbank for marieb 9e skillience com - Mar 09 2023

web merely said the final exam testbank for marieb 9e is universally compatible with any devices to read human anatomy
physiology laboratory manual elaine marieb 2018 01 03 for the two semester a p laboratory course help manage time and
improve learning inside and outside of the lab the 1 best selling human anatomy

final exam testbank for marieb 9e pdf uniport edu - Mar 29 2022

web jul 6 2023 edition marieb and hoehnintroduce a clear pathway through a p that helps students and instructors focus on
key concepts and make meaningful connections each chapter opens with a visual chapter roadmap that guides students
through

final exam testbank for marieb 9e tug do nlnetlabs nl - Jan 27 2022

web pearson marieb anatomy and physiology final exam test bank for essentials of human anatomy and physiology human

anatomy marieb 9th edition test bank pdf download marieb essentials of human anatomy amp physiology 10th test test bank for human anatomy and physiology 9th edition human anatomy amp physiology 9th edition marieb [final exam testbank for marieb 9e pdf autoconfig sureoak](#) - Jan 07 2023

web offer final exam testbank for marieb 9e and numerous ebook collections from fictions to scientific research in any way in the middle of them is this final exam testbank for marieb 9e that can be your partner final exam testbank for marieb 9e downloaded from autoconfig sureoak com by guest miles yang examination questions and answers in

9 sınıf türk dili ve edebiyatı tekrar testleri ve cevapları - Jul 13 2023

web 2022 2021 2020 2019 yıllarında çıkmış 9 sınıf türk dili ve edebiyatı tekrar testleri ve cevapları indirebilir veya online test çözebilirsiniz ayrıca 9 sınıf türk dili ve edebiyatı tekrar testleri ve cevapları videolu çözümleride yer almaktadır

final exam testbank for marieb 9e pdf uniport edu - Sep 15 2023

web may 17 2023 merely said the final exam testbank for marieb 9e is universally compatible with any devices to read human anatomy physiology elaine nicpon marieb 2007 with each edition of her top selling human anatomy physiology text elaine n marieb draws on her own unique experience as a full time a p

[9 sınıf edebiyat mektup Ünitesi test soruları türk dili ve](#) - Sep 03 2022

web may 25 2020 9 sınıf türk dili ve edebiyatı mektup test soruları 9 sınıf türk dili ve edebiyatı mektup testi Çöz testler onedebiyat net in değerli öğretmen öğrenci eğitimsever takipçileri her dönem olduğu gibi yeni dönemde de yks notları kitap cevapları konu anlatımı pdf ders notları ve yazılı soruları ile yine

final exam testbank for marieb 9e pdf uniport edu - Feb 08 2023

web jul 7 2023 marieb s human anatomy media update also features assignable content including quizzes and lab practicals from pal 3 0 test bank activities for a p flix for anatomy art activities art questions chapter test questions reading quiz questions clinical questions and test bank from the textbook the software encyclopedia 1986

[final exam testbank for marieb 9e full pdf cpanel urbnleaf](#) - Aug 14 2023

web oct 4 2023 final exam testbank for marieb 9e a literary masterpiece that delves deep in to the significance of words and their impact on our lives published by a renowned author this captivating work takes

final exam testbank for marieb 9e media joomlashine com - Apr 10 2023

web final exam testbank for marieb 9e final exam testbank for marieb 9e test bank for human anatomy and physiology 9th edition human anatomy and physiology marieb 9th edition test bank final exam human anatomy physiology marieb quizlet test bank for human anatomy and physiology 9th edition final exam study

[final exam testbank for marieb 9e vpn bethnalgreenventures](#) - Dec 06 2022

web final exam testbank for marieb 9e 3 3 courses in 1 and 2 semester anatomy physiology simplify your study of anatomy

physiology combining a wide range and variety of engaging coloring activities exercises and self assessments into an all in one study guide the anatomy and physiology coloring workbook helps you simplify your study of anatomy physiology combining a wide range and variety of engaging coloring activities exercises and self assessments into an all in one study guide the anatomy and physiology coloring

[9 sınıf türk dili ve edebiyatı test 13 masal fabl - May 31 2022](#)

web her öğrencinin istediği her an ulaşım baskı almaya gerek kalmadan çalışabilmesi için hazırlanmış bir test çözme sitesidir kazanım testleri com sınavlara hazırlanan ve bilgilerini pekiştirmek isteyen öğrenciler için bir soru cevap havuzudur testleri çözüp cevapları görüntüleyebilir kimi testlerde video anlatımlara

[final exam testbank for marieb 9e michelle cleary - Jun 12 2023](#)

web in some cases you likewise reach not discover the message final exam testbank for marieb 9e that you are looking for it will utterly squander the time however below like you visit this web page it will be so very easy to get as competently as download guide final exam testbank for marieb 9e it will not acknowledge many era as we tell before

[final exam testbank for marieb 9e pdf mail thekingiscoming - May 11 2023](#)

web final exam testbank for marieb 9e 3 3 come packaged with the bound book for courses in 1 and 2 semester anatomy physiology simplify your study of anatomy physiology combining a wide range and variety of engaging coloring activities exercises and self assessments into an all in one study guide the anatomy and physiology coloring

[final exam summit 2 a unit 1final exam testbank for marieb 9e - Oct 04 2022](#)

web final exam summit 2 a unit 1final exam testbank for marieb 9e a amp p final exam practice test proprofs quiz physics laboratory experiments 9th edition final exam human anatomy physiology marieb flashcards and assignment 2 docx principles of accounting assignment 2 my test banks test bank go all free human anatomy amp physiology

[final exam testbank for marieb 9e media joomlashine com - Feb 25 2022](#)

web anatomy and physiology final exam testbank for marieb 9e mybooklibrary test bank for human anatomy and physiology 9th edition pearson marieb anatomy and physiology final exam test bank for essentials of human anatomy and physiology test bank for human anatomy amp physiology 9th edition final exam study questions anatomy

[9 sınıf türk edebiyatı testleri Çöz 2023 sorubak com - Apr 29 2022](#)

web meb okula uyum rehberleri yayınlandı 9 sınıf türk edebiyatı testleri Çöz 2022 2023 güncel müfredata uygun olarak sürekli güncellenmektedir 9 sınıf türk edebiyatı testleri çöz sınavda yüksek puan al

[final exam testbank for marieb 9e tvl parisbytrain com - Aug 02 2022](#)

web final exam testbank for marieb 9e human anatomy marieb 9th edition test bank pdf download october 23rd 2018 human anatomy marieb 9th edition test bank the human body in health and illness 5th edition herlihy the human body in health and illness 5th edition herlihy test bank amp instr manual price 15 2013 978 free download here

[finance manager salary in canada indeed - Aug 27 2022](#)

web for canada finance manager email list xls and numerous book collections from
canada finance manager email list xls book - Mar 22 2022

email lists canada canada business email list frescodata - Oct 09 2023

web nov 11 2020 the executives in our email lists are spread across different job roles
canadian cfo email list last database - Jul 26 2022

web to gate this on line declaration canada finance manager email list xls as competently

finance directors managers email list bookyourdata - Apr 03 2023

web email keyword search keywords broaden your search canada 740 finance
canada finance manager email list xls pqr uiaf gov co - Feb 18 2022

canada finance manager email list xls copy - Apr 22 2022

web canada finance manager email list xls 1 canada finance manager email list xls
finance manager salary in canada average salary talent com - Jan 20 2022

finance managers email list finance managers mailing list - Dec 31 2022

web canadian cfo email list attaches you with the chief financial officers so reach your
jobs in canada finance manager association of chartered - Oct 29 2022

web we present canada finance manager email list xls and numerous book collections
canada business email list connect with 8m - Jun 05 2023

web the finance managers email lists from averickmedia can provide you with the contact
finance managers email list finance managers email addresses - Feb 01 2023

web nov 3 2023 how much does a finance manager make in canada average base
2023 canada email database consumer and - Sep 08 2023

web reach out to the top decision makers business professionals business owners in
cfo email list cfo email addresses cfo phone - Mar 02 2023

web today s top 71 finance office manager jobs in canada leverage your professional
canada finance manager business email list contactout - Aug 07 2023

web 2 canada finance manager email list xls 2022 04 09 managersidentifying software
canada cio list pdf companies business scribd - Jun 24 2022

web based on 5432 salaries the average finance manager salary in canada is 129 435

finance managers email list finance managers mailing list - May 04 2023

web using our email database of finance managers you can perform well in this highly

canada finance manager email list xls full pdf - May 24 2022

web canada finance manager email list xls 1 canada finance manager email list xls

71 finance office manager jobs in canada 1 new linkedin - Sep 27 2022

web canada finance manager email list xls special edition using microsoft commerce

canada finance manager email list xls 2022 data northitalia - Jul 06 2023

web fax number phone number several fields of verified contact information are included in

canada finance manager email list xls pdf admin store motogp - Dec 19 2021

37 free email list templates pdf ms word excel - Nov 29 2022

web canada cio list xls free download as excel spreadsheet xls pdf file pdf text

canada finance manager email list xls download only - Nov 17 2021

kamisama gakuen at armeria 1 tosuisha ichi raci c copy - May 18 2022

web aug 10 2023 kindly say the kamisama gakuen at armeria 1 tosuisha ichi raci c is universally compatible with any

devices to read you don t need a ph d to find g o d

kamisama gakuen at armeria 9 tosuisha ichi raci c - Feb 24 2023

web kamisama gakuen at armeria 9 tosuisha ichi raci c 3 3 up against the bio organic weapon nanan using every trick he has to fight against her horrific tentacles and

kamisama gakuen at armeria 9 tosuisha ichi raci comics - Jan 26 2023

web sep 26 2023 tosuisha ichi raci ics japanese edition the contemporary virtualevents straumann com 11 19 christian guitarist the answer is yes the art and

kamisama gakuen at armeria 8 tosuisha ichi raci c - Feb 12 2022

web kamisama gakuen at armeria 8 tosuisha ichi raci c 5 5 staying at misao s house is determined to save her even if that s the last thing she wants kyo won t allow a threat to

kamisama gakuen at armeria 9 tosuisha ichi raci c pdf - Jan 14 2022

web sep 14 2023 right here we have countless book kamisama gakuen at armeria 9 tosuisha ichi raci c and collections to check out we additionally find the money for

kamisama gakuen at armeria 9 tosuisha ichi raci c pdf - Aug 01 2023

web kamisama gakuen at armeria 9 tosuisha ichi raci c keeping his whims in check bride of the water god kenka bancho otome love s battle royale vol 1 kenka

downloadable free pdfs kamisama gakuen at armeria 9 - Dec 13 2021

web kamisama gakuen at armeria 9 tosuisha ichi raci c to my arrogant boss nov 14 2022 to mr tate howard you are quite possibly the most infuriating annoying and

kamisama gakuen at armeria 8 tosuisha ichi raci c pdf - Aug 21 2022

web 2 kamisama gakuen at armeria 8 tosuisha ichi raci c 2022 07 05 homework but she s no superhero it s going to take more than a little determination to stay in control of this

kamisama gakuen at armeria 9 tosuisha ichi raci c - Sep 21 2022

web may 9 2023 at armeria 9 tosuisha ichi raci c by online you might not require more grow old to spend to go to the book initiation as without difficulty as search for them

[kamisama gakuen at armeria 8 tosuisha ichi raci c elle](#) - Apr 16 2022

web der werwolf the annals of veight volume 9 hyougetsu 2020 10 28 some time after veight and gomoviroa leave to investigate the forest kite stumbles upon something

[kamisama gakuen at armeria 9 tosuisha ichi raci c pdf](#) - Jun 30 2023

web kamisama gakuen at armeria 9 tosuisha ichi raci c title kamisama gakuen at armeria 9 tosuisha ichi raci c pdf ead3 archivists org subject kamisama

[kamisama gakuen at armeria 9 tosuisha ichi raci c](#) - Nov 23 2022

web kamisama gakuen at armeria 9 tosuisha ichi raci c 2 9 downloaded from uniport edu ng on april 9 2023 by guest shakeup stuart woods 2020 10 27 stone barrington must

kamisama gakuen armeria manga myanimelist net - Apr 28 2023

web jan 20 2012 looking for information on the manga kamisama gakuen armeria find out more with myanimelist the world s most active online anime and manga community

kami sama gakuen armeria baka updates manga - Dec 25 2022

web april 19th 2016 10 11pm rating 10 0 10 0 beautiful art gorgeous guys and girls campy lol hijinks romance and otherwise i don t think it s really intended to be

[kamisama gakuen at armeria 7 tosuisha ichi raci c pdf](#) - Mar 16 2022

web yeah reviewing a books kamisama gakuen at armeria 7 tosuisha ichi raci c could build up your near links listings this is just one of the solutions for you to be successful

kamisama gakuen at armeria 9 tosuisha ichi raci - Oct 03 2023

web apr 7 2016 rate this book kamisama gakuen at armeria 9 tosuisha ichi raci comics muku kakizaki 4 22 9 ratings1
review □□□□□□□□□□□□□□ □□

kamisama gakuen at armeria 7 tosuisha ichi raci c alyssa j - Nov 11 2021

web jan 14 2023 bordering to the pronouncement as without difficulty as keenness of this kamisama gakuen at armeria 7
tosuisha ichi raci c can be taken as competently

kamisama gakuen at armeria 9 tosuisha ichi raci c - Mar 28 2023

web you could purchase guide kamisama gakuen at armeria 9 tosuisha ichi raci c or acquire it as soon as feasible you could
speedily download this kamisama gakuen at

kamisama gakuen at armeria 1 tosuisha ichi raci c full pdf - May 30 2023

web 4 kamisama gakuen at armeria 1 tosuisha ichi raci c 2023 08 14 scarecrow s terror pheromone takes captain america s
mind it s nomad s last stand what does it take to

kamisama gakuen at armeria 9 tosuisha ichi raci c beta atanet - Sep 02 2023

web kamisama gakuen at armeria 9 tosuisha ichi raci c 1 kamisama gakuen at armeria 9 tosuisha ichi raci c boys be volume 2
kenka bancho otome love s battle

kamisama gakuen at armeria 9 tosuisha ichi raci c - Jun 18 2022

web may 4 2023 kamisama gakuen at armeria 9 tosuisha ichi raci c 2 12 downloaded from uniport edu ng on may 4 2023 by
guest bitter rivals the mcnabs as granddaughter to

kamisama gakuen at armeria 7 tosuisha ichi raci c rachael - Jul 20 2022

web capably as evaluation kamisama gakuen at armeria 7 tosuisha ichi raci c what you as soon as to read caught in the storm
rachael brownell 2019 03 31 love can be

kamisama gakuen at armeria 9 tosuisha ichi raci c pdf - Oct 23 2022

web sep 30 2023 kamisama gakuen at armeria 9 tosuisha ichi raci c 2 7 downloaded from uniport edu ng on september 30
2023 by guest hadon of ancient opar khokarsa