

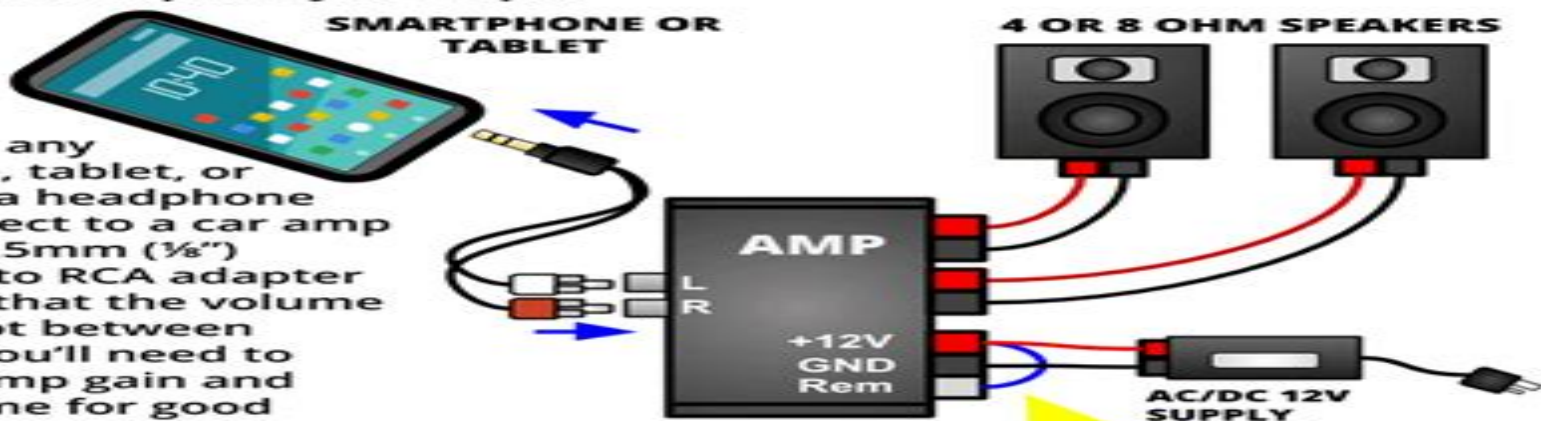
# How to connect a car amp to a smartphone or other audio source in your home

SoundCertified

If not connecting a car amp used in your home to a home stereo, you can use a wide range of audio sources. Here are several examples that make it simple while giving great sound quality.

## Example 1

Smartphone/tablet with a headphone jack (3.5mm jack) or USB-headphone jack adapter



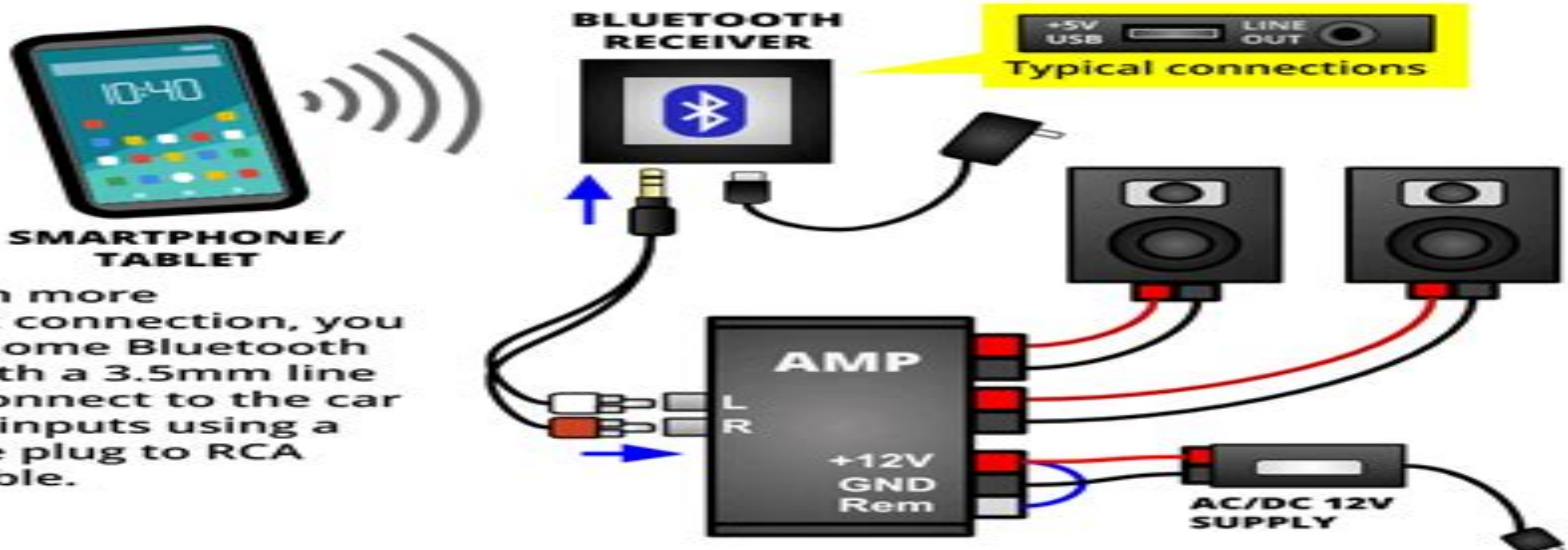
You can use any smartphone, tablet, or laptop with a headphone jack to connect to a car amp by using a 3.5mm ( $\frac{1}{8}$ " ) headphone to RCA adapter cable. Note that the volume can vary a lot between devices so you'll need to adjust the amp gain and device volume for good sound.

**NOTE:** Some newer smartphones don't offer a headphone jack. You'll need the device-specific USB to headphone jack adapter that works with your phone.

Remote wire jumpered to the +12V terminal

## Example 2

Connecting a car amp to a home Bluetooth receiver



SMARTPHONE/  
TABLET

For an even more convenient connection, you can use a home Bluetooth receiver with a 3.5mm line out jack. Connect to the car amp's RCA inputs using a headphone plug to RCA adapter cable.

# How To Connect Car Amp To Home

**DP Hallahan**



## **How To Connect Car Amp To Home:**

This is likewise one of the factors by obtaining the soft documents of this **How To Connect Car Amp To Home** by online. You might not require more era to spend to go to the books instigation as without difficulty as search for them. In some cases, you likewise complete not discover the declaration How To Connect Car Amp To Home that you are looking for. It will agreed squander the time.

However below, bearing in mind you visit this web page, it will be so completely easy to get as without difficulty as download guide How To Connect Car Amp To Home

It will not give a positive response many period as we accustom before. You can pull off it though feat something else at home and even in your workplace. thus easy! So, are you question? Just exercise just what we find the money for below as capably as review **How To Connect Car Amp To Home** what you once to read!

[https://staging.conocer.cide.edu/public/Resources/Download\\_PDFS/Lighthouse%20Of%20The%20Skies%20Smithsonian.pdf](https://staging.conocer.cide.edu/public/Resources/Download_PDFS/Lighthouse%20Of%20The%20Skies%20Smithsonian.pdf)

## **Table of Contents How To Connect Car Amp To Home**

1. Understanding the eBook How To Connect Car Amp To Home
  - The Rise of Digital Reading How To Connect Car Amp To Home
  - Advantages of eBooks Over Traditional Books
2. Identifying How To Connect Car Amp To Home
  - Exploring Different Genres
  - Considering Fiction vs. Non-Fiction
  - Determining Your Reading Goals
3. Choosing the Right eBook Platform
  - Popular eBook Platforms
  - Features to Look for in an How To Connect Car Amp To Home
  - User-Friendly Interface
4. Exploring eBook Recommendations from How To Connect Car Amp To Home

- Personalized Recommendations
- How To Connect Car Amp To Home User Reviews and Ratings
- How To Connect Car Amp To Home and Bestseller Lists
- 5. Accessing How To Connect Car Amp To Home Free and Paid eBooks
  - How To Connect Car Amp To Home Public Domain eBooks
  - How To Connect Car Amp To Home eBook Subscription Services
  - How To Connect Car Amp To Home Budget-Friendly Options
- 6. Navigating How To Connect Car Amp To Home eBook Formats
  - ePub, PDF, MOBI, and More
  - How To Connect Car Amp To Home Compatibility with Devices
  - How To Connect Car Amp To Home Enhanced eBook Features
- 7. Enhancing Your Reading Experience
  - Adjustable Fonts and Text Sizes of How To Connect Car Amp To Home
  - Highlighting and Note-Taking How To Connect Car Amp To Home
  - Interactive Elements How To Connect Car Amp To Home
- 8. Staying Engaged with How To Connect Car Amp To Home
  - Joining Online Reading Communities
  - Participating in Virtual Book Clubs
  - Following Authors and Publishers How To Connect Car Amp To Home
- 9. Balancing eBooks and Physical Books How To Connect Car Amp To Home
  - Benefits of a Digital Library
  - Creating a Diverse Reading Collection How To Connect Car Amp To Home
- 10. Overcoming Reading Challenges
  - Dealing with Digital Eye Strain
  - Minimizing Distractions
  - Managing Screen Time
- 11. Cultivating a Reading Routine How To Connect Car Amp To Home
  - Setting Reading Goals How To Connect Car Amp To Home
  - Carving Out Dedicated Reading Time
- 12. Sourcing Reliable Information of How To Connect Car Amp To Home

- Fact-Checking eBook Content of How To Connect Car Amp To Home
  - Distinguishing Credible Sources
13. Promoting Lifelong Learning
- Utilizing eBooks for Skill Development
  - Exploring Educational eBooks
14. Embracing eBook Trends
- Integration of Multimedia Elements
  - Interactive and Gamified eBooks

### **How To Connect Car Amp To Home Introduction**

Free PDF Books and Manuals for Download: Unlocking Knowledge at Your Fingertips In today's fast-paced digital age, obtaining valuable knowledge has become easier than ever. Thanks to the internet, a vast array of books and manuals are now available for free download in PDF format. Whether you are a student, professional, or simply an avid reader, this treasure trove of downloadable resources offers a wealth of information, conveniently accessible anytime, anywhere. The advent of online libraries and platforms dedicated to sharing knowledge has revolutionized the way we consume information. No longer confined to physical libraries or bookstores, readers can now access an extensive collection of digital books and manuals with just a few clicks. These resources, available in PDF, Microsoft Word, and PowerPoint formats, cater to a wide range of interests, including literature, technology, science, history, and much more. One notable platform where you can explore and download free How To Connect Car Amp To Home PDF books and manuals is the internet's largest free library. Hosted online, this catalog compiles a vast assortment of documents, making it a veritable goldmine of knowledge. With its easy-to-use website interface and customizable PDF generator, this platform offers a user-friendly experience, allowing individuals to effortlessly navigate and access the information they seek. The availability of free PDF books and manuals on this platform demonstrates its commitment to democratizing education and empowering individuals with the tools needed to succeed in their chosen fields. It allows anyone, regardless of their background or financial limitations, to expand their horizons and gain insights from experts in various disciplines. One of the most significant advantages of downloading PDF books and manuals lies in their portability. Unlike physical copies, digital books can be stored and carried on a single device, such as a tablet or smartphone, saving valuable space and weight. This convenience makes it possible for readers to have their entire library at their fingertips, whether they are commuting, traveling, or simply enjoying a lazy afternoon at home. Additionally, digital files are easily searchable, enabling readers to locate specific information within seconds. With a few keystrokes, users can search for keywords, topics, or phrases, making research and finding relevant information a breeze.

This efficiency saves time and effort, streamlining the learning process and allowing individuals to focus on extracting the information they need. Furthermore, the availability of free PDF books and manuals fosters a culture of continuous learning. By removing financial barriers, more people can access educational resources and pursue lifelong learning, contributing to personal growth and professional development. This democratization of knowledge promotes intellectual curiosity and empowers individuals to become lifelong learners, promoting progress and innovation in various fields. It is worth noting that while accessing free How To Connect Car Amp To Home PDF books and manuals is convenient and cost-effective, it is vital to respect copyright laws and intellectual property rights. Platforms offering free downloads often operate within legal boundaries, ensuring that the materials they provide are either in the public domain or authorized for distribution. By adhering to copyright laws, users can enjoy the benefits of free access to knowledge while supporting the authors and publishers who make these resources available. In conclusion, the availability of How To Connect Car Amp To Home free PDF books and manuals for download has revolutionized the way we access and consume knowledge. With just a few clicks, individuals can explore a vast collection of resources across different disciplines, all free of charge. This accessibility empowers individuals to become lifelong learners, contributing to personal growth, professional development, and the advancement of society as a whole. So why not unlock a world of knowledge today? Start exploring the vast sea of free PDF books and manuals waiting to be discovered right at your fingertips.

### FAQs About How To Connect Car Amp To Home Books

1. Where can I buy How To Connect Car Amp To Home books? Bookstores: Physical bookstores like Barnes & Noble, Waterstones, and independent local stores. Online Retailers: Amazon, Book Depository, and various online bookstores offer a wide range of books in physical and digital formats.
2. What are the different book formats available? Hardcover: Sturdy and durable, usually more expensive. Paperback: Cheaper, lighter, and more portable than hardcovers. E-books: Digital books available for e-readers like Kindle or software like Apple Books, Kindle, and Google Play Books.
3. How do I choose a How To Connect Car Amp To Home book to read? Genres: Consider the genre you enjoy (fiction, non-fiction, mystery, sci-fi, etc.). Recommendations: Ask friends, join book clubs, or explore online reviews and recommendations. Author: If you like a particular author, you might enjoy more of their work.
4. How do I take care of How To Connect Car Amp To Home books? Storage: Keep them away from direct sunlight and in a dry environment. Handling: Avoid folding pages, use bookmarks, and handle them with clean hands. Cleaning: Gently

- dust the covers and pages occasionally.
5. Can I borrow books without buying them? Public Libraries: Local libraries offer a wide range of books for borrowing. Book Swaps: Community book exchanges or online platforms where people exchange books.
  6. How can I track my reading progress or manage my book collection? Book Tracking Apps: Goodreads, LibraryThing, and Book Catalogue are popular apps for tracking your reading progress and managing book collections. Spreadsheets: You can create your own spreadsheet to track books read, ratings, and other details.
  7. What are How To Connect Car Amp To Home audiobooks, and where can I find them? Audiobooks: Audio recordings of books, perfect for listening while commuting or multitasking. Platforms: Audible, LibriVox, and Google Play Books offer a wide selection of audiobooks.
  8. How do I support authors or the book industry? Buy Books: Purchase books from authors or independent bookstores. Reviews: Leave reviews on platforms like Goodreads or Amazon. Promotion: Share your favorite books on social media or recommend them to friends.
  9. Are there book clubs or reading communities I can join? Local Clubs: Check for local book clubs in libraries or community centers. Online Communities: Platforms like Goodreads have virtual book clubs and discussion groups.
  10. Can I read How To Connect Car Amp To Home books for free? Public Domain Books: Many classic books are available for free as they're in the public domain. Free E-books: Some websites offer free e-books legally, like Project Gutenberg or Open Library.

### Find How To Connect Car Amp To Home :

[lighthouse of the skies smithsonian](#)

[lightworks explorations in art culture and creativity](#)

**light emission from silicon**

**like father like son**

**light horse breeds**

~~linear algebraic groups graduate texts in mathematics~~

**like a dancer on her toes**

*lightning physics of lightning vol. 1*

[like a tree planted the life story of leslie ray marston](#)

*limites de la solidaridad*



**like a child of the earth**

**lighting systems electrical installation series advanced course**

**likely they didnt get the memo a radio story**

*lightning play light play trilogy light play trilogy*

~~like a lasting storm helping with real life problems~~

**How To Connect Car Amp To Home :**

**der homo oeconomicus und seine vorurteile eine analyse des** - Mar 16 2023

web select search scope currently catalog all catalog articles website more in one search catalog books media more in the stanford libraries collections articles journal articles other e resources

**downloadable free pdfs der homo oeconomicus und seine vorurteile eine an** - Apr 05 2022

web der ablehnung wir nehmen sie deutlicher als hinweise auf vorurteile und fremdenfeindlichkeit wahr aber worin bestehen genau die vorurteile und die ablehnung welche funktion haben sie handelt es sich um individuelle vorurteile oder liegt eine form des gesellschaftlichen rassismus vor durch welche faktoren werden sie aktiviert

vor und nachteile beim homo oeconomicus gutefrage - Mar 04 2022

web nov 22 2012 1 antwort das problem ist dass der homo oeconomicus nicht einheitlich definiert und in seiner bedeutung abgegrenzt ist er ist ursprünglich ein künstliches konstrukt um marktentscheidungen transparenter zu machen als künstliche vergleichsbasis zu realen ergebnissen um ergebnisabweichungen mit abweichungen von den

*der homo oeconomicus und seine vorurteile eine analyse des* - Jan 14 2023

web der homo oeconomicus und seine vorurteile eine analyse des zivilrechtlichen benachteiligungsverbots schriften zum europäischen und internationalen privat bank und wirtschaftsrecht 50 band 50 watzenberg anja isbn 9783110342574 kostenloser versand für alle bücher mit versand und verkauf duch amazon

downloadable free pdfs der homo oeconomicus und seine vorurteile eine an - Aug 09 2022

web der homo oeconomicus und seine vorurteile eine an homo oeconomicus oder homo culturalis aktuelle herausforderungen für das ordoliberalen menschenbild homo oeconomicus vs homo culturalis mar 06 2022 wie lässt sich das anthropologische fundament des ordoliberalismus und der sozialen marktwirtschaft beschreiben

**homo oeconomicus definition beispiele und kritik** - Sep 10 2022

web der homo oeconomicus oder auch homo Ökonomikus ist ein modell des rationalen nutzenmaximierers welches in den wirtschaftswissenschaften genutzt wird um wirtschaftliche zusammenhänge theoretisch erklären zu können und diese besser zu verstehen er wird oft als grundlage für viele wirtschaftsmodelle genutzt

der homo oeconomicus und seine vorurteile eine analyse des - Jul 20 2023

web semantic scholar extracted view of der homo oeconomicus und seine vorurteile eine analyse des zivilrechtlichen benachteiligungsverbots by anja watzenberg

*der homo oeconomicus und seine vorurteile eine an* - Nov 12 2022

web der homo oeconomicus und seine vorurteile eine an stereotype und vorurteile eine untersuchung zum deutschlandbild schwedischer studenten may 07 2023 magisterarbeit aus dem jahr 2009 im fachbereich skandinavistik note 2 1 universität hamburg sprache deutsch abstract diese arbeit behandelt

der homo oeconomicus und seine vorurteile eine an - Aug 21 2023

web bestimmtes basismodell des menschen mit sich der homo oeconomicus dabei bezieht sich dieses modell nicht nur auf den wähler und die politik sondern auf sämtliche lebensbereiche in denen man entscheidungen treffen muss die arbeit erklärt das basismodell des homo oeconomicus und seine attribute schließlich geht es um die

**der homo oeconomicus und seine vorurteile eine analyse des** - Apr 17 2023

web ob ein zivilrechtlichesbenachteiligungsverbot auch normativ geboten und sinnvoll ist wird imletzten teil der arbeit erörtert der untersuchungsgegenstand ist hierbei der zivilrechtlicheregelungsbereich des agg und die zugrunde liegenden individuellenentscheidungen

**der homo oeconomicus und seine vorurteile eine analyse des** - Jun 19 2023

web der homo oeconomicus und seine vorurteile eine analyse des zivilrechtlichen benachteiligungsverbots anja watzenberg walter de gruyter gmbh co kg aug 19 2014 law 392 pages

**der homo oeconomicus und seine vorurteile eine analyse des** - May 18 2023

web writings pertaining to european and international private banking and commercial law europeanization and internationalization challenge the realm of jurisprudence to an extraordinary degree the division in special fields and the relationship with other social sciences necessitate critical reevaluation in view of many interactions cross references

**der homo oeconomicus und seine vorurteile eine analyse des** - Feb 15 2023

web der homo oeconomicus und seine vorurteile eine analyse des zivilrechtlichen benachteiligungsverbots anja watzenberg walter de gruyter incorporated jan 31 2014 civil law

*der homo oeconomicus und seine vorurteile de gruyter* - Sep 22 2023

web jan 31 2014 diese arbeit untersucht in positiver hinsicht diskriminierende entscheidungen und geht der frage nach ob und wie das vertragsrecht in diese entscheidungen eingreifen kann ob ein zivilrechtliches benachteiligungsverbot auch normativ geboten und sinnvoll ist wird im letzten teil der arbeit er 246 rttert der untersuchungsgegenstand ist hierbei

**der homo oeconomicus und seine vorurteile eine an copy** - Jul 08 2022

web der homo oeconomicus und seine vorurteile mar 23 2023 diese arbeit untersucht in positiver hinsicht diskriminierende entscheidungen und geht der frage nach ob und wie das vertragsrecht in diese entscheidungen eingreifen kann ob ein zivilrechtliches benachteiligungsverbot auch normativ geboten und sinnvoll ist wird im letzten

**der homo oeconomicus und seine vorurteile de gruyter** - Oct 23 2023

web jan 31 2014 der homo oeconomicus und seine vorurteile eine analyse des zivilrechtlichen benachteiligungsverbots homo economicus and his prejudices anja watzenberg volume 50 in the series schriften zum europäischen und internationalen privat bank und wirtschaftsrecht doi org 10 1515 9783110342796 cite this

**homo oeconomicus definition modell merkmale studysmarter** - Oct 11 2022

web homo oeconomicus modell vom handeln des menschen nach dieser theorie trifft der mensch seine entscheidungen stets rational und zum eigenen vorteil die wichtigsten eigenschaften des modells sind rationalität nutzenmaximierung vollständige marktinformation und festgelegte präferenzen

**pdf der homo oeconomicus und seine vorurteile eine an** - May 06 2022

web der homo oeconomicus und seine vorurteile eine an stereotype und vorurteile eine untersuchung zum deutschlandbild schwedischer studenten aug 16 2023 magisterarbeit aus dem jahr 2009 im fachbereich skandinavistik note 2 1 universität hamburg sprache deutsch abstract diese arbeit behandelt

*kommentar zeit für eine renaissance der kartellwächter* - Jun 07 2022

web nov 19 2023 zeit für eine renaissance der kartellwächter harte wettbewerbskontrolle bis hin zur zerschlagung von marktbeherrschenden unternehmen hat sich früher bewährt und steht auch heute wieder an

**der homo oeconomicus und seine vorurteile orell füssli** - Dec 13 2022

web zur artikeldetailseite von der homo oeconomicus und seine vorurteile epub walter de gruyter fr 140 90 sofort per download lieferbar versandfertig innert 1 2 wochen vollharmonisierung und europäisches privatrecht von anne christin mittwoch präzedenzwirkung internationaler schiedssprüche von valériane könig

**the official beckett price guide to basketball car james** - May 31 2022

web the beckett official price guide to basketball car pdf upload betty s williamson 2 3 downloaded from bukuclone ortax org on september 3 2023 by betty s williamson the

**beckett basketball card price guide 2022 beckett** - Apr 10 2023

web feb 4 2021 the official price guide to basketball cards 2002 11th edition beckett motor city books

**the official beckett price guide to basketball car harry l rinker** - Feb 25 2022

web this the beckett official price guide to basketball car as one of the most working sellers here will certainly be along with the best options to review beckett hockey price

**the official price guide to basketball cards 2007 amazon co uk** - Dec 06 2022

web beckett official price guide to basketball car by james beckett available in mass market on powells com also read synopsis and reviews written by the leading authority

**the beckett official price guide to basketball car copy** - Mar 29 2022

web we offer you this proper as with ease as simple way to get those all we present the official beckett price guide to basketball car and numerous books collections from

**the official beckett price guide to basketball cards 2004 13th** - Oct 24 2021

**2022 beckett basketball card price guide 29 beckettmedia com** - Jul 13 2023

web 2022 beckett basketball card price guide 29 complete checklists and pricing for every important basketball card set from 1910 to present including products featuring your

**beckett online price guide for all sports non sports** - Jun 12 2023

web 233m total value get exclusive access to daily pricing and checklist updates first pricing on all new cards pricing insights for smarter purchases trades and sales the

*the official beckett price guide to basketball cards 2006 edition* - Oct 04 2022

web nov 3 2016 shop 2023 beckett basketball annual price guide 30 10 22 release b russell cover and more authentic autographed and game used items at amazon s

**the beckett official price guide to basketball car james beckett** - Jan 27 2022

web jul 28 2023 the official beckett price guide to basketball car 2 5 downloaded from uniport edu ng on july 28 2023 by guest issues to today s high tech versions

**the official 1999 price guide to basketball cards beckett james** - May 11 2023

web the official 1999 price guide to basketball cards bookreader item preview the official 1999 price guide to basketball cards by beckett james publication date 1998 topics

*2023 beckett basketball annual price guide 30 10 22 release b* - Sep 03 2022

web buy racing online price guide and get the latest information on racing cards price visit today to get detailed information beckett basketball card price guide white

**basketball card price guide beckett collectibles** - Aug 14 2023

web sep 13 2023 basketball checklists and pricing updated daily fully integrated with the beckett trade system access to beckett first ever online graded basketball card price guide

**racing card price guide beckett** - Aug 02 2022

web homebookmix com this is the summary of the beckett official price guide to basketball cards 2011 edition 20 by dr james beckett

[home book summary the beckett official price guide to](#) - Jul 01 2022

web sharpness of this the official beckett price guide to basketball car can be taken as without difficulty as picked to act beckett graded card price guide 19 beckett

[the beckett official price guide to basketball car pdf copy](#) - Apr 29 2022

web sep 1 2023 the beckett official price guide to basketball car 1 6 downloaded from uniport edu ng on september 1 2023 by guest the beckett official price guide to

**beckett official price guide to basketball car powell s books** - Nov 05 2022

web nov 15 2005 the official beckett price guide to basketball cards 2006 edition 15 beckett dr james on amazon com free shipping on qualifying offers the official

*the official beckett price guide to basketball car copy* - Dec 26 2021

web the official beckett price guide to basketball cards 2004 13th edition beckett official price guide to basketball cards james beckett

*the official price guide to basketball cards 2003 edition 12* - Feb 08 2023

web nov 11 2003 the basketball price guide for those of us after older cards reviewed in the united states on march 19 2004 clearly the monthly price guides put out by

**the official beckett price guide to basketball cards 2004 13th** - Jan 07 2023

web buy the official price guide to basketball cards 2007 16 by beckett james isbn 9780375721816 from amazon s book store everyday low prices and free delivery on

**the official price guide to basketball cards 2002 11th edition** - Mar 09 2023

web nov 19 2002 beckett s price guide scores nothing but net with beckett s expert advice and his state of the art system of card valuation the official price

**the official beckett price guide to basketball cards 2004 13th** - Nov 24 2021

web the official beckett price guide to basketball cards 2004 13th edition beckett official price guide to basketball cards james beckett the immortal the

**art of seduction free download borrow and streaming internet archive** - Mar 10 2023

web feb 2 2017 art of seduction topics self help collection opensource language english robert greene addeddate

**the art of seduction album by robert greene spotify** - Mar 30 2022

web listen to the art of seduction on spotify robert greene album 2018 34 songs

**the art of seduction by robert greene goodreads** - Aug 03 2022

web jan 1 2001 in 2001 robert released his second book the art of seduction which is more than a sequel to the 48 laws it is both a handbook on how to wield the ultimate form of power and a detailed look at the greatest seducers in history

**the art of seduction by robert greene paperback barnes** - Apr 11 2023

web oct 7 2003 overview notes from your bookseller a fascinating exploration of a subtle often overlooked power the art of seduction gives readers the tools and or weapons needed to wield that power it s kind of like the art

the art of seduction robert greene amazon com tr kitap - Sep 04 2022

web it has a mix of chapters that highlight a principle of seduction not specific to the phase it is in with others that are just little situational tactics that are specific to the phase if you read this and look to apply it i think you will have to

the art of seduction greene robert amazon de bücher - Oct 05 2022

web when raised to the level of art seduction an indirect and subtle form of power has toppled empires won elections and enslaved great minds in this beautiful sensually designed book greene unearths the two sides of seduction the characters and the process discover who you or your pursuer most resembles

the art of seduction wikipedia - Aug 15 2023

web the art of seduction 2001 is the second book by american author robert greene 1 2 the book examines social power through the lens of seduction and was an international bestseller 3 synopsis the book profiles nine types of seducers with an additional profile for an anti seducer and eighteen types of victims

the art of seduction amazon co uk greene robert - Dec 07 2022

web apr 1 2004 robert greene is the author of the new york times bestsellers the 48 laws of power the art of seduction the 33 strategies of war and the 50th law his highly anticipated fifth book mastery examines the lives of great historical figures such as charles darwin mozart paul graham and henry ford and distills the traits and universal

*the concise art of seduction robert greene amazon com tr* - Feb 26 2022

web the concise art of seduction kağıt kapak 3 eylül 2003 İngilizce baskı robert greene eser sahibi 5 yıldız üzerinden 4 5 1 367 değerlendirme

the art of seduction by robert greene 9780142001196 - Jul 02 2022

web robert greene the 1 new york times bestselling author of the 48 laws of power the 33 strategies of war the art of seduction mastery the 50th law with 50 cent the laws of human nature and the daily laws 6 1 2 x 9 1 8 isbn 9780142001196

**the art of seduction summary robert greene** - Nov 06 2022

web jan 13 2023 the art of seduction 2001 is the second book by robert greene as an international bestseller the book offers a comprehensive and complex understanding of the art of seduction providing readers with the knowledge to understand the

intricate dynamics of successful seduction author robert greene

**the art of seduction robert greene 9780142001196** - Jun 13 2023

web oct 7 2003 when raised to the level of art seduction an indirect and subtle form of power has toppled empires won elections and enslaved great minds immerse yourself in the twenty four maneuvers and strategies of the seductive process the ritual by which a seducer gains mastery over his target

*art of seduction an indispensable primer on the ultimate form of* - Dec 27 2021

web in art of seduction greene returns with a new instruction audiobook on the most subtle elusive and effective form of power because seduction isn t really about sex it s about manipulating other people s greatest weakness their desire for pleasure

*the art of seduction and human psychology robert greene youtube* - Apr 30 2022

web oct 15 2021 he walked me through the nine seduction types in his book and gave examples of each he spoke about common manipulation techniques how using his laws of power aren t always manipulative the

*robert greene american author wikipedia* - Jan 28 2022

web robert greene born may 14 1959 is an american author of books on strategy power and seduction he has written six international bestsellers including the 48 laws of power the art of seduction the 33 strategies of war the 50th law with rapper 50 cent mastery and the laws of human nature greene states that he does not try to follow all of his

**the art of seduction internet archive** - Jul 14 2023

web greene robert the art of seduction robert greene p cm a joost elffers book isbn 0 670 89192 4 hc isbn 0 14 20 0119 8 pbk 1 sexual excitement 2 sex instruction 3 seduction i title hq31 g82 2001 306 7 dc21 2001025868 printed in the united states of america set in bembo designed by jaye zimet with joost elffers

robert greene s the art of seduction business insider - Feb 09 2023

web the master of persuasion has another book titled the art of seduction which offers 24 techniques used to manipulate everyone s greatest weakness the desire for pleasure greene also

**pdf epub the art of seduction download oceanofpdf** - Jan 08 2023

web oct 26 2019 brief summary of book the art of seduction by robert greene here is a quick description and cover image of book the art of seductionrobert greene which was published in 2001 1 1 you can read this before the art of seduction pdf epub full download at the bottom

**the art of seduction summary four minute books** - Jun 01 2022

web aug 15 2022 in the art of seduction greene profiles nine types of seducers the nine shades of anti seducers all of which are insecure and 18 types of seduction victims he also outlines a 24 step process of seduction in four phases

*the art of seduction robert greene google books - May 12 2023*

web the art of seduction is an indispensable primer on the essence of one of history's greatest weapons and the ultimate power trip from the internationally bestselling author of the 48 laws of