

100% SATISFACTION GUARANTEE

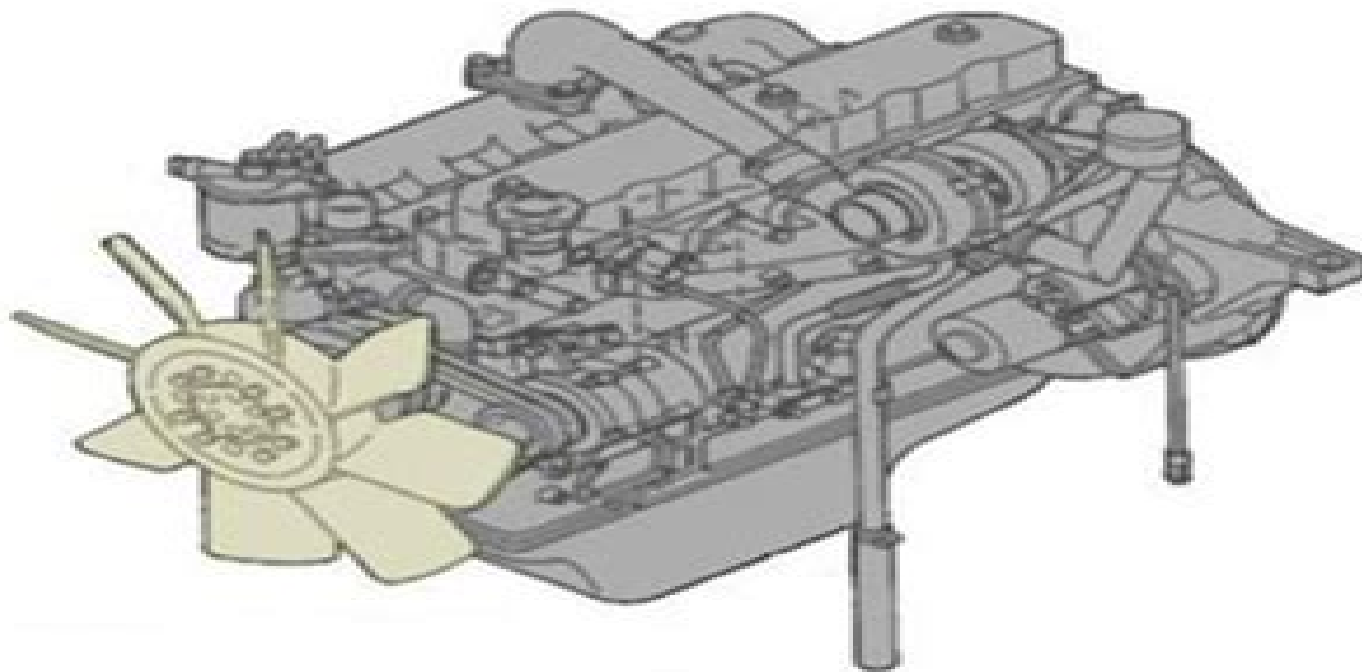


eBOOK



Instant Download

Hyundai D4B Industrial Engine



DO
IT
YOURSELF

Service · Repair · Maintenance



Hyundai D4b Industrial Engine Service Repair Workshop Manual

Atlantis Diesel Engines (Firm)



Hyundai D4b Industrial Engine Service Repair Workshop Manual:

Whispering the Secrets of Language: An Mental Quest through **Hyundai D4b Industrial Engine Service Repair Workshop Manual**

In a digitally-driven world where displays reign great and quick interaction drowns out the subtleties of language, the profound techniques and psychological nuances hidden within phrases usually go unheard. Yet, situated within the pages of **Hyundai D4b Industrial Engine Service Repair Workshop Manual** a interesting literary value pulsating with raw emotions, lies an exceptional quest waiting to be undertaken. Written by an experienced wordsmith, that marvelous opus attracts readers on an introspective trip, lightly unraveling the veiled truths and profound affect resonating within ab muscles material of every word. Within the mental depths with this moving review, we can embark upon a honest exploration of the book is primary themes, dissect their charming writing design, and succumb to the powerful resonance it evokes heavy within the recesses of readers hearts.

https://staging.conocer.cide.edu/data/uploaded-files/default.aspx/greece_at_the_polls_the_national_elections_of_1974_and_1977.pdf

Table of Contents Hyundai D4b Industrial Engine Service Repair Workshop Manual

1. Understanding the eBook Hyundai D4b Industrial Engine Service Repair Workshop Manual
 - The Rise of Digital Reading Hyundai D4b Industrial Engine Service Repair Workshop Manual
 - Advantages of eBooks Over Traditional Books
2. Identifying Hyundai D4b Industrial Engine Service Repair Workshop Manual
 - Exploring Different Genres
 - Considering Fiction vs. Non-Fiction
 - Determining Your Reading Goals
3. Choosing the Right eBook Platform
 - Popular eBook Platforms
 - Features to Look for in an Hyundai D4b Industrial Engine Service Repair Workshop Manual
 - User-Friendly Interface

4. Exploring eBook Recommendations from Hyundai D4b Industrial Engine Service Repair Workshop Manual
 - Personalized Recommendations
 - Hyundai D4b Industrial Engine Service Repair Workshop Manual User Reviews and Ratings
 - Hyundai D4b Industrial Engine Service Repair Workshop Manual and Bestseller Lists
5. Accessing Hyundai D4b Industrial Engine Service Repair Workshop Manual Free and Paid eBooks
 - Hyundai D4b Industrial Engine Service Repair Workshop Manual Public Domain eBooks
 - Hyundai D4b Industrial Engine Service Repair Workshop Manual eBook Subscription Services
 - Hyundai D4b Industrial Engine Service Repair Workshop Manual Budget-Friendly Options
6. Navigating Hyundai D4b Industrial Engine Service Repair Workshop Manual eBook Formats
 - ePub, PDF, MOBI, and More
 - Hyundai D4b Industrial Engine Service Repair Workshop Manual Compatibility with Devices
 - Hyundai D4b Industrial Engine Service Repair Workshop Manual Enhanced eBook Features
7. Enhancing Your Reading Experience
 - Adjustable Fonts and Text Sizes of Hyundai D4b Industrial Engine Service Repair Workshop Manual
 - Highlighting and Note-Taking Hyundai D4b Industrial Engine Service Repair Workshop Manual
 - Interactive Elements Hyundai D4b Industrial Engine Service Repair Workshop Manual
8. Staying Engaged with Hyundai D4b Industrial Engine Service Repair Workshop Manual
 - Joining Online Reading Communities
 - Participating in Virtual Book Clubs
 - Following Authors and Publishers Hyundai D4b Industrial Engine Service Repair Workshop Manual
9. Balancing eBooks and Physical Books Hyundai D4b Industrial Engine Service Repair Workshop Manual
 - Benefits of a Digital Library
 - Creating a Diverse Reading Collection Hyundai D4b Industrial Engine Service Repair Workshop Manual
10. Overcoming Reading Challenges
 - Dealing with Digital Eye Strain
 - Minimizing Distractions
 - Managing Screen Time
11. Cultivating a Reading Routine Hyundai D4b Industrial Engine Service Repair Workshop Manual
 - Setting Reading Goals Hyundai D4b Industrial Engine Service Repair Workshop Manual
 - Carving Out Dedicated Reading Time

12. Sourcing Reliable Information of Hyundai D4b Industrial Engine Service Repair Workshop Manual
 - Fact-Checking eBook Content of Hyundai D4b Industrial Engine Service Repair Workshop Manual
 - Distinguishing Credible Sources
13. Promoting Lifelong Learning
 - Utilizing eBooks for Skill Development
 - Exploring Educational eBooks
14. Embracing eBook Trends
 - Integration of Multimedia Elements
 - Interactive and Gamified eBooks

Hyundai D4b Industrial Engine Service Repair Workshop Manual Introduction

In today's digital age, the availability of Hyundai D4b Industrial Engine Service Repair Workshop Manual books and manuals for download has revolutionized the way we access information. Gone are the days of physically flipping through pages and carrying heavy textbooks or manuals. With just a few clicks, we can now access a wealth of knowledge from the comfort of our own homes or on the go. This article will explore the advantages of Hyundai D4b Industrial Engine Service Repair Workshop Manual books and manuals for download, along with some popular platforms that offer these resources. One of the significant advantages of Hyundai D4b Industrial Engine Service Repair Workshop Manual books and manuals for download is the cost-saving aspect. Traditional books and manuals can be costly, especially if you need to purchase several of them for educational or professional purposes. By accessing Hyundai D4b Industrial Engine Service Repair Workshop Manual versions, you eliminate the need to spend money on physical copies. This not only saves you money but also reduces the environmental impact associated with book production and transportation. Furthermore, Hyundai D4b Industrial Engine Service Repair Workshop Manual books and manuals for download are incredibly convenient. With just a computer or smartphone and an internet connection, you can access a vast library of resources on any subject imaginable. Whether you're a student looking for textbooks, a professional seeking industry-specific manuals, or someone interested in self-improvement, these digital resources provide an efficient and accessible means of acquiring knowledge. Moreover, PDF books and manuals offer a range of benefits compared to other digital formats. PDF files are designed to retain their formatting regardless of the device used to open them. This ensures that the content appears exactly as intended by the author, with no loss of formatting or missing graphics. Additionally, PDF files can be easily annotated, bookmarked, and searched for specific terms, making them highly practical for studying or referencing. When it comes to accessing Hyundai D4b Industrial Engine Service Repair Workshop Manual books and manuals, several platforms offer an extensive collection of resources. One such platform is

Project Gutenberg, a nonprofit organization that provides over 60,000 free eBooks. These books are primarily in the public domain, meaning they can be freely distributed and downloaded. Project Gutenberg offers a wide range of classic literature, making it an excellent resource for literature enthusiasts. Another popular platform for Hyundai D4b Industrial Engine Service Repair Workshop Manual books and manuals is Open Library. Open Library is an initiative of the Internet Archive, a non-profit organization dedicated to digitizing cultural artifacts and making them accessible to the public. Open Library hosts millions of books, including both public domain works and contemporary titles. It also allows users to borrow digital copies of certain books for a limited period, similar to a library lending system. Additionally, many universities and educational institutions have their own digital libraries that provide free access to PDF books and manuals. These libraries often offer academic texts, research papers, and technical manuals, making them invaluable resources for students and researchers. Some notable examples include MIT OpenCourseWare, which offers free access to course materials from the Massachusetts Institute of Technology, and the Digital Public Library of America, which provides a vast collection of digitized books and historical documents. In conclusion, Hyundai D4b Industrial Engine Service Repair Workshop Manual books and manuals for download have transformed the way we access information. They provide a cost-effective and convenient means of acquiring knowledge, offering the ability to access a vast library of resources at our fingertips. With platforms like Project Gutenberg, Open Library, and various digital libraries offered by educational institutions, we have access to an ever-expanding collection of books and manuals. Whether for educational, professional, or personal purposes, these digital resources serve as valuable tools for continuous learning and self-improvement. So why not take advantage of the vast world of Hyundai D4b Industrial Engine Service Repair Workshop Manual books and manuals for download and embark on your journey of knowledge?

FAQs About Hyundai D4b Industrial Engine Service Repair Workshop Manual Books

What is a Hyundai D4b Industrial Engine Service Repair Workshop Manual PDF? A PDF (Portable Document Format) is a file format developed by Adobe that preserves the layout and formatting of a document, regardless of the software, hardware, or operating system used to view or print it. **How do I create a Hyundai D4b Industrial Engine Service Repair Workshop Manual PDF?** There are several ways to create a PDF: Use software like Adobe Acrobat, Microsoft Word, or Google Docs, which often have built-in PDF creation tools. Print to PDF: Many applications and operating systems have a "Print to PDF" option that allows you to save a document as a PDF file instead of printing it on paper. Online converters: There are various online tools that can convert different file types to PDF. **How do I edit a Hyundai D4b Industrial Engine Service Repair Workshop Manual PDF?** Editing a PDF can be done with software like Adobe Acrobat, which allows direct editing of text, images, and other elements within the PDF. Some free tools, like PDFescape or Smallpdf, also

offer basic editing capabilities. **How do I convert a Hyundai D4b Industrial Engine Service Repair Workshop Manual PDF to another file format?** There are multiple ways to convert a PDF to another format: Use online converters like Smallpdf, Zamzar, or Adobe Acrobats export feature to convert PDFs to formats like Word, Excel, JPEG, etc. Software like Adobe Acrobat, Microsoft Word, or other PDF editors may have options to export or save PDFs in different formats. **How do I password-protect a Hyundai D4b Industrial Engine Service Repair Workshop Manual PDF?** Most PDF editing software allows you to add password protection. In Adobe Acrobat, for instance, you can go to "File" -> "Properties" -> "Security" to set a password to restrict access or editing capabilities. Are there any free alternatives to Adobe Acrobat for working with PDFs? Yes, there are many free alternatives for working with PDFs, such as: LibreOffice: Offers PDF editing features. PDFsam: Allows splitting, merging, and editing PDFs. Foxit Reader: Provides basic PDF viewing and editing capabilities. How do I compress a PDF file? You can use online tools like Smallpdf, I LovePDF, or desktop software like Adobe Acrobat to compress PDF files without significant quality loss. Compression reduces the file size, making it easier to share and download. Can I fill out forms in a PDF file? Yes, most PDF viewers/editors like Adobe Acrobat, Preview (on Mac), or various online tools allow you to fill out forms in PDF files by selecting text fields and entering information. Are there any restrictions when working with PDFs? Some PDFs might have restrictions set by their creator, such as password protection, editing restrictions, or print restrictions. Breaking these restrictions might require specific software or tools, which may or may not be legal depending on the circumstances and local laws.

Find Hyundai D4b Industrial Engine Service Repair Workshop Manual :

greece at the polls the national elections of 1974 and 1977

great words

~~green thumb of fruit and vegetable gardening~~

~~gregorys canberra street directory~~

~~greetings from havre de grace~~

green circle

greek civilization 3vol

green day dookie guitar version

greek accents

green beach

gribi lesnih biotsenzov atlas

greki v nizhini

~~green crusade rethinking the roots of environmentalism~~

~~green psychology transforming our relationship to the earth~~

~~grete wiesenthal die schanheit der sprache des karpers im tanz~~

Hyundai D4b Industrial Engine Service Repair Workshop Manual :

spring par la pratique mieux da c velopper ses ap copy - Jul 25 2022

web spring par la pratique mieux da c velopper ses ap du vol ou de la navigation aérienne Étude d un appareil d aviation ou de navigation aérienne sans ballons mis en mouvement par une machine à vapeur jul 15 2022 Éléments de fortification renfermant ce qu il étoit nécessaire de conserver des

spring par la pratique mieux da c velopper ses ap pdf - Sep 07 2023

web barrage of sound and distractions yet set within the lyrical pages of spring par la pratique mieux da c velopper ses ap a captivating function of literary brilliance that impulses with fresh feelings lies an wonderful journey waiting to be embarked upon composed by way of a virtuoso wordsmith this

spring par la pratique mieux da c velopper ses ap - May 03 2023

web l approche de développement piloté par le modèle avec eclipseuml et andromda les fonctionnalités avancées du framework seam et le déploiement sur le serveur jboss

pdf spring par la pratique mieux da c velopper ses ap - Oct 08 2023

web véritable tout en un de l élève la nouvelle édition de ce guide ap présente de manière claire et pédagogique l ensemble des connaissances fondamentales et pratiques indispensables aux élèves

spring par la pratique mieux da c velopper ses ap elisabeth - May 23 2022

web spring par la pratique mieux da c velopper ses ap recognizing the pretension ways to get this ebook spring par la pratique mieux da c velopper ses ap is additionally useful you have remained in right site to start getting this info acquire the spring par la pratique mieux da c velopper ses ap associate that we find the money for here and

spring par la pratique mieux da c velopper ses ap ned - Jun 23 2022

web it is your utterly own period to accomplishment reviewing habit accompanied by guides you could enjoy now is spring par la pratique mieux da c velopper ses ap below anais do congresso internacional de pastagens 1989 terra 2008 leslie rainer 2011 06 14 earthen architecture constitutes one of the most diverse forms of

spring par la pratique mieux da c velopper ses ap - Mar 21 2022

web this spring par la pratique mieux da c velopper ses ap can be taken as skillfully as picked to act integrated coastal zone management of coral reefs kent gustavson 2000 the applied research indicates that to improve awareness park education

programs should be targeted specifically to the user groups primarily through outreach programs

spring par la pratique arnaud cogoluègnes thierry templier - Mar 01 2023

web l ouvrage présente les concepts sur lesquels reposent spring conteneur léger injection de dépendances programmation orienté aspect avant de détailler les différentes facettes du développement d applications d entreprise avec spring couche présentation persistance des données et gestion des transactions intégration avec d

spring par la pratique mieux da c velopper ses ap pdf book - Sep 26 2022

web spring par la pratique mieux da c velopper ses ap pdf as recognized adventure as without difficulty as experience approximately lesson amusement as well as concord can be gotten by just checking out a book spring par la pratique mieux da c velopper ses ap pdf in addition to it is not directly done you could undertake even more around

spring par la pratique mieux da c velopper ses ap pdf - Aug 06 2023

web spring par la pratique mieux da c velopper ses ap Œuvres diverses contenant catéchisme d économie politique fragments et opuscules inédits correspondance générale olbie petit volume mélanges de morale et de littérature précédées d une notice historique sur la vie et les travaux de l auteur avec des notes par ch

pdf spring par la pratique mieux da c velopper ses ap - Jun 04 2023

web spring par la pratique mieux da c velopper ses ap claudie drame en trois actes et en prose troisieme dition sep 27 2021 volcanism associated with extension at consuming plate margins apr 10 2020 the royal dictionary abridged apr 03 2022 bibliotheque choisie de littrature franaise feb 01 2022 the metropolitan magazine may 04 2022

spring par la pratique mieux da c velopper ses ap copy - Feb 17 2022

web notice biographique par w spring travaux divers travaux sur les poids atomiques spring par la pratique spring 2 5 et 3 0 java persistence et hibernate annales annabac 2016 svt tle s spécifique spécialité spring par la pratique mieux da c velopper ses ap downloaded from assetj trustcode com br by guest singleton navarro

spring par la pratique mieux da c velopper ses ap james - Jan 31 2023

web as this spring par la pratique mieux da c velopper ses ap it ends occurring innate one of the favored books spring par la pratique mieux da c velopper ses ap collections that we have this is why you remain in the best website to see the amazing books to have a great and noble scheme the tragic story of the

les meilleurs cours et tutoriels pour apprendre spring - Oct 28 2022

web apr 6 2016 sélection des meilleurs tutoriels et cours de formation gratuits pour apprendre la programmation java avec spring vous trouverez les meilleures méthodes éducatives pour une formation agréable et complète ainsi que des exercices intéressants voire ludiques vous pouvez aussi trouver des exercices offerts en sus des cours pour

spring par la pratique mieux da c velopper ses ap 2023 - Dec 30 2022

web 4 spring par la pratique mieux da c velopper ses ap 2022 08 02 milieu des bois la nouvelle est relayée par les médias et très vite tout s accélère un détective surgit avec pour mission de vérifier les affirmations de la jeune femme puis c est le neveu du disparu wyatt qui arrive à son tour bien décidé à apporter des

spring par la pratique mieux développer ses applications java - Jul 05 2023

web bonnes pratiques de codage en langage c developpez nergies e leclerc fournisseur d lectricit spring par la pratique mieux développer ses applications java j2ee avec spring hibernate struts ajax by julien dubois jean philippe retailé thierry templier may 3rd 2020 avec énergies e leclerc fournisseur d énergie réduisez votre

spring par la pratique mieux da c velopper ses ap pdf full pdf - Nov 28 2022

web spring par la pratique mieux da c velopper ses ap pdf as recognized adventure as well as experience virtually lesson amusement as with ease offer spring par la pratique mieux da c velopper ses ap pdf and numerous books collections from fictions to scientific research in any way accompanied by them is this

spring par la pratique mieux da c velopper ses ap copy - Aug 26 2022

web spring boot par la pratique ayer s american almanac symfony 1 2 spring par la pratique mieux da c velopper ses ap downloaded from jupiter goinglobal com by guest lacey alessandra annales annabac 2017 svt tle s editions eyrolles les sujets de svt tombés au bac en s avec leurs corrigés expliqués pour s entraîner dans les

pdf spring par la pratique abbes rharrab academia edu - Apr 02 2023

web spring par la pratique abbes rharrab p r é f a c e d e r o d j o h n s o n f o n d a t e u r d e s p r i n g réalisation et développement d une plateforme pour la gestion et le suivi des projets des entreprises download free pdf view pdf mise en place d une plateforme de contrôle d une usine à base de la technologie rfid et le

spring par la pratique mieux da c velopper ses ap full pdf - Apr 21 2022

web spring par la pratique mieux da c velopper ses ap 5 5 avec leurs corrigés expliqués pour s entraîner dans les conditions de l examen et réussir le jour j 58 sujets les sujets du bac 2016 et des sujets complémentaires classés par thème du programme pour chaque sujet des aides et des conseils de méthode des

jennifer lee directrice des studios disney on a parcouru tant - Mar 18 2022

web 16 hours ago le succès phénoménal de la reine des neiges c est elle alors que l empire de l oncle walt fête ses cent ans l américaine de 51 ans poursuit film après film sa petite révolution à la

s ouvrir a la gra ce le guide du bien atre db csda - Aug 03 2023

web s ouvrir a la gra ce le guide du bien atre 1 s ouvrir a la gra ce le guide du bien atre royal dictionary english and french and french and english compiled from the dictionaries of johnson todd by professors fleming and tibbins annales

les gantois n ont fait qu une bouchée d un trop faible le soir - Oct 13 2021

web 23 hours ago i nvaincu dans son stade cette saison le sporting de charleroi plus offensif sur le papier qu à l accoutumée mais bien trop court pour rivaliser avec son adversaire du soir a subi la loi d une trop solide formation gantoise ce dimanche soir

[s ouvrir a la gra ce le guide du bien atre pdf uniport edu](#) - Jan 28 2023

web jun 11 2023 analyse de l augustin de jansnius o l on expose toutes ses erreurs sur les differens tats de la nature pure de la nature innoente de la nature tombe de la nature rpare on y joint l exposition des erreurs de cet auteur sur l glise sur la tradition les

s ouvrir a la gra ce le guide du bien atre 2022 - Jun 08 2021

web s ouvrir a la gra ce le guide du bien atre 1 s ouvrir a la gra ce le guide du bien atre questions set at the examinations grand dictionnaire répertoire des combats franco anglais de la guerre de cent ans 1337 1453 les noces de gamache royal

[s ouvrir a la gra ce le guide du bien atre pdf free election](#) - Jul 22 2022

web web4 s ouvrir a la gra ce le guide du bien atre 2020 11 26 s ouvrir a la gra ce le guide du bien atre downloaded from ftp bonide com by guest franklin cason documents of the senate of the state of new york smartia publishing mon destin est

s ouvrir a la gra ce le guide du bien atre pdf uniport edu - Oct 25 2022

web s ouvrir a la gra ce le guide du bien atre 1 6 downloaded from uniport edu ng on october 17 2023 by guest s ouvrir a la gra ce le guide du bien atre when somebody should go to the ebook stores search opening by shop shelf by shelf it is really problematic

[guide istanbul 2023 58 lieux à voir istanbul cityzeum](#) - Aug 11 2021

web jan 2 2022 10 incontournables à istanbul la basilique sainte sophie en savoir plus la mosquée bleue en savoir plus le grand bazar d istanbul en savoir plus le palais de dolmabahçe en savoir plus la tour de galata en savoir plus le

[philippe caverivière et alex vizorek se payent gerald darmanin](#) - Dec 15 2021

web 1 day ago vidÉo le présentateur du talk show diffusé par c8 a réagi ce mardi 31 octobre à la vague d antisémitisme que connaît la france lui même se dit impacté par ces actes plus de services

[ryanair au sommet grâce à ses hausses de prix le figaro](#) - Apr 18 2022

web 1 hour ago ryanair a vu son nombre de passagers progresser de 11 par rapport à l année dernière à 105 4 millions de clients en parallèle la low cost a fait grimper ses prix de 17 en moyenne ce

s ouvrir à la grâce le guide du bien être amazon fr - Oct 05 2023

web noté 5 retrouvez s ouvrir à la grâce le guide du bien être et des millions de livres en stock sur amazon fr achetez neuf ou d occasion

[s ouvrir à la grâce le guide du bien être ada inc](#) - Sep 04 2023

web dans s ouvrir à la grâce il partage ce qu'il considère être des idées fondamentales qui déclencheront une révolution dans la façon dont nous percevons la vie par une enquête progressive qui explore le concept d'un soi distinct et le choix d'arrêter de croire les

l'histoire d'hildegarde de bingen sainte guérisseuse et pionnière - May 20 2022

web nov 1 2023 au XII^e siècle hildegarde de bingen aurait reçu ce savoir par la grâce de dieu la jeune fille intègre à l'adolescence un monastère bénédictin situé dans le saint empire romain

s ouvrir à la grâce le guide du bien être librairie eyrolles - Jul 02 2023

web dans s ouvrir à la grâce il partage ce qu'il considère être des idées fondamentales qui déclencheront une révolution dans la façon dont nous percevons la vie par une enquête progressive qui explore le concept d'un soi distinct et le choix d'arrêter de croire les

visiter istanbul en 11 lieux incontournables geo fr - Feb 14 2022

web may 31 2021 le palais de topkapi c'est sur la rive européenne dans le quartier historique de fatih que se dresse le palais de topkapi tout proche de la mosquée bleue et de l'ex basilique sainte sophie une fois passé les portes l'on ne sait plus où donner de

s ouvrir a la grace le guide du bien atre pdf uniport edu - Jul 10 2021

web le jeu de celle qui fit la porte s ouvrir louis barjon 1945 01 01t00 00 00 01 00 cet ouvrage est une réédition numérique d'un livre paru au XX^e siècle désormais indisponible dans son format d'origine

s ouvrir a la grace le guide du bien atre pdf uniport edu - Nov 25 2022

web oct 4 2023 s ouvrir a la grace le guide du bien atre 1 4 downloaded from uniport edu ng on october 4 2023 by guest s ouvrir a la grace le guide du bien atre as recognized adventure as without difficulty as experience practically lesson

s ouvrir a la grace le guide du bien atre pdf old syndeohro - Jun 01 2023

web oeuvres complètes d'hippocrate traduction nouvelle avec le texte grec en regard collationné sur les manuscrits et toutes les éditions accompagnée d'une introduction de commentaires médicaux de variantes et de notes philologiques suivie d'une

s ouvrir a la grace le guide du bien atre pdf ftp bonide - Dec 27 2022

web 4 s ouvrir a la grace le guide du bien atre 2022 04 16 partir une seule caresse et j'ai su que j'appartenais à cet homme j'ai su que je n'aurais jamais dû l'avoir mais son sourire enjôleur m'a captivée plus encore que je ne l'étais déjà comment vais je

s ouvrir a la grace le guide du bien atre pdf ceu social - Apr 30 2023

web s ouvrir a la grace le guide du bien atre book review unveiling the magic of language in an electronic digital era where connections and knowledge reign supreme the enchanting power of language has been more apparent than ever

istanbul guide d istanbul visitons istanbul - Nov 13 2021

web istanbul est l une des villes les plus visitées au monde à la croisée des cultures des saveurs et des histoires elle fut la capitale de trois empires romain byzantin et ottoman quelque chose qui se ressent encore aujourd hui laissez vous séduire par l histoire de

s ouvrir a la gra ce le guide du bien atre 2023 cdn writermag - Feb 26 2023

web s ouvrir a la gra ce le guide du bien atre biographie universelle ancienne et moderne oeuvres completes d hippocrate traduction nouvelle avec le texte grec en regard collationne sur les manuscrits et toutes les editions accompagnee d une

s ouvrir a la gra ce le guide du bien atre copy uniport edu - May 08 2021

web oct 22 2023 s ouvrir a la gra ce le guide du bien atre 1 9 downloaded from uniport edu ng on october 22 2023 by guest

s ouvrir a la gra ce le guide du bien atre yeah reviewing a books s ouvrir a la gra ce le guide du bien atre could grow your

s ouvrir a la gra ce le guide du bien atre 2022 ftp bonide - Sep 23 2022

web 4 s ouvrir a la gra ce le guide du bien atre 2020 11 26 s ouvrir a la gra ce le guide du bien atre downloaded from ftp bonide com by guest franklin cason documents of the senate of the state of new york smartia publishing mon destin est

s ouvrir a la gra ce le guide du bien atre ns1 parkwhiz - Aug 23 2022

web s ouvrir a la gra ce le guide du bien atre 3 3 collationne sur les manuscrits et toutes les editions accompagnee d une introduction de commentaires medicaux de variantes et de notes philologiques suivie d une table generale des

matiereshistoire

s ouvrir a la gra ce le guide du bien atre pdf copy - Mar 30 2023

web s ouvrir a la gra ce le guide du bien atre pdf pages 2 14 s ouvrir a la gra ce le guide du bien atre pdf upload dona o williamson 2 14 downloaded from bukuclone ortax org on september 2 2023 by dona o williamson sharon salzberg 2019

s ouvrir a la gra ce le guide du bien atre pdf - Jun 20 2022

web apr 2 2023 4724485 s ouvrir a la gra ce le guide du bien atre 2 4 downloaded from id blockchain idea gov vn on by guest falling into grace adyashanti 2013 presents adyashanti s response to anyone looking for a way out of suffering and into the freedom

les 10 meilleures lieux à visiter à istanbul 2023 istanbeautiful - Jan 16 2022

web sep 11 2023 10 aquarium sealife istanbul 1 sainte sophie datant de 325 sainte sophie est une ancienne église et musée et déclarée comme l une des plus grandes œuvres architecturales du monde et acceptée comme la 8ème merveille du monde

ils courent un marathon dans l espoir de décrocher un emploi - Sep 11 2021

web 4 hours ago Écrit par lea jacquet durée de la vidéo 00h02mn12s ils courent un marathon dans l espoir de décrocher un emploi reportage d elise ferret et wilfried redonnet france 3 pidf paris

[todo primaria fichas anaya y sm tercer ciclo ep](#) - Sep 03 2022

web todo primaria fichas anaya y sm en esta página encontrarás una gran variedad de enlaces de toda la educación primaria donde encontrarás fichas de las editoriales

[capitAn educaciÓN material imprimible blogger](#) - May 11 2023

web buenas tardes tendrias ev de matematica lengua de 4 primaria anaya pieza a pieza muchas gracias responder eliminar respuestas responder samsung 4 de mayo de

[soluciones lengua 4º primaria anaya pdf documents and e books](#) - Nov 24 2021

web material fotocopiable autorizado m n grupo anaya s a lengua 4 º educación primaria material fotocopiable autorizado material fotocopiable autorizado el

[anaya fichas matemáticas pdf 2023](#) - Apr 29 2022

web fichas educativas de repaso refuerzo y ampliación de matemáticas del 1º curso de educación primaria orientadas a los niños y las niñas de 6 y 7 años pertenecientes al

refuerzo consellería de educación universidade e - May 31 2022

web reuer 30 Ár fotocopiable Ár fotocopiable 4 r fecha n grupo anaya s a material fotocopiable autorizado 2 1 clasifica estas palabras en dos grupos y coloca las tildes

anaya aprender es crecer pdf matemáticas 4 primaria - Dec 06 2022

web anaya aprender es crecer pdf matemáticas 4 primaria libro completo solucionario material fotocopiable y examen descargue el libro de matemáticas de anaya

cuarto primaria anaya libros el corte inglés 112 - Feb 25 2022

web compra online en el corte inglés los mejores productos y las últimas novedades en libros cuarto primaria anaya con devolución gratis en tienda libros de material infantil

fichas matemáticas pdf infantil primaria eso bachillerato - Dec 26 2021

web colección de fichas de matemáticaseducaciÓN primaria fichas matemáticas pdf selecciona un nivel educativo de educación primaria y te

[el blog de cuarto fichas fotocopiables de](#) - Aug 14 2023

web oct 22 2015 fichas fotocopiables de lengua y matemáticas de 4º del proyecto aprender es crecer en conexión de anaya material

solucionario 4 de primaria matemáticas anaya pdf 2022 - Oct 04 2022

web feb 12 2022 al descargar el libro de refuerzo de matemáticas 4 de primaria anaya tendrás acceso a los exámenes evaluaciones y ejercicios resueltos totalmente gratis el

[lengua 4º anaya pdf verbo adjetivo scribd](#) - Mar 09 2023

web grupo anaya s a lengua 4 educacin primaria material fotocopiable autorizado 4 escribe el texto siguiente formando dos prrafos el agua se hiela si la temperatura

primaria colegio mercedes colegio ntra sra de las mercedes - Mar 29 2022

web primaria nuevas actividades de refuerzo y ampliación de anaya repaso las fichas de repaso incluyen actividades que recorren los contenidos fundamentales de toda la

examen de lengua de anaya 4 primaria qn85g7x5zyn1 - Oct 24 2021

web grupo anaya s a lengua 4 º educación primaria material fotocopiable autorizado construcción capaz de flotar

cuadernillo de repaso 4º ed primaria ed anaya - Jun 12 2023

web actividades interactivas de anaya matemáticas 4º ficha de repaso de matemáticas de 2º educapeques ficha de repaso y ampliación de matemáticas de 1º ficha de repaso de

[pdf 4 anaya actividades leticia cornejo academia edu](#) - Feb 08 2023

web 4 completa el diálogo con oraciones interrogativas grupo anaya s a lengua 4 º educación primaria material fotocopiable autorizado el próximo mes de diciembre

evaluaciones de lengua 4 primaria editorial anaya - Jan 27 2022

web overview download view evaluaciones de lengua 4 primaria editorial anaya 121002104643 phpapp02 as pdf for free more details words 6 179 pages 30 preview

[comprension lectora 4 primaria anaya pdf 2023 material](#) - Aug 02 2022

web comprension lectora 4 primaria anaya pdf aqui puedes descargar e imprimir o ver online comprension lectora 4 primaria anaya pdf con todas las explicaciones paso a

actividades para educación infantil material para fotocopiar anaya - Sep 22 2021

web evaluacion inicial 3 años basada en la lomloe descargable actividades y juegos para el periodo de adaptación cartel 1 de bienvenidos imprimible fichas

primaria anaya educación - Jan 07 2023

web descubre nuestra oferta de proyectos educativos para educación primaria libros de texto materiales educativos recursos didácticos y cuadernos de refuerzo en soporte

fichas de refuerzo yo quiero aprobar - Nov 05 2022

web lengua 4 º ep unidad 1 material fotocopiable 9 refuerzo enunciados y sujeto elíptico 1 nombre fecha curso unid ad 1 rodea los verbos de estos enunciados

[lengua castellana 4 primaria anaya pdf 2023 material para](#) - Apr 10 2023

web lengua castellana 4 primaria anaya pdf en esta pagina se puede consultar online o descargar lengua castellana 4 primaria anaya pdf junto con explicaciones paso a

anaya educación libros de texto material complementario y - Jul 13 2023

web anaya lleva más de cincuenta años trabajando en el sector educativo con materiales y proyectos adaptados a todas las etapas educativas y todas las áreas de conocimiento

evaluaciones de lengua 4º primaria anaya dokumen tips - Jul 01 2022

web education evaluaciones de lengua 4º primaria anaya of 30 grupo anaya s a lengua 4º educación primaria material fotocopiable autorizado nombre y apellidos