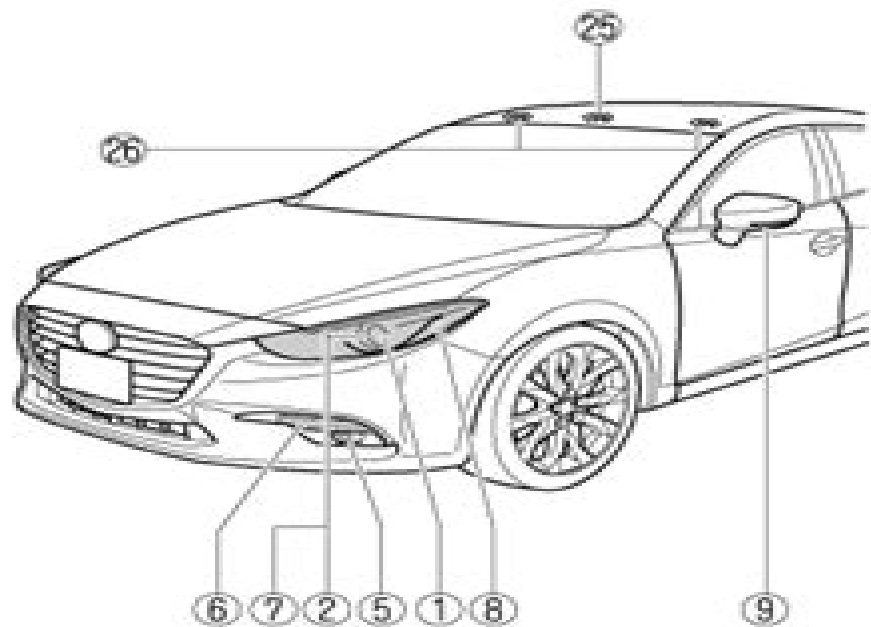
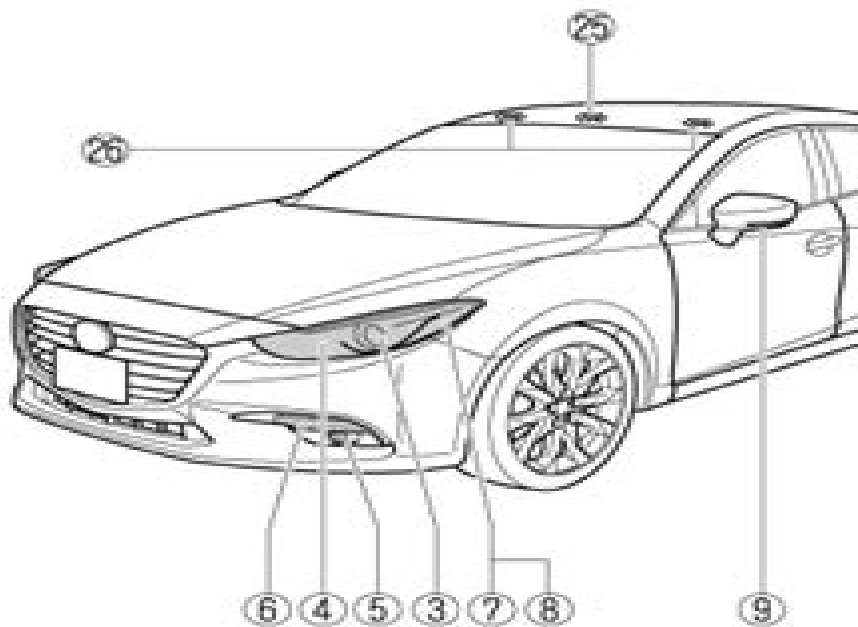


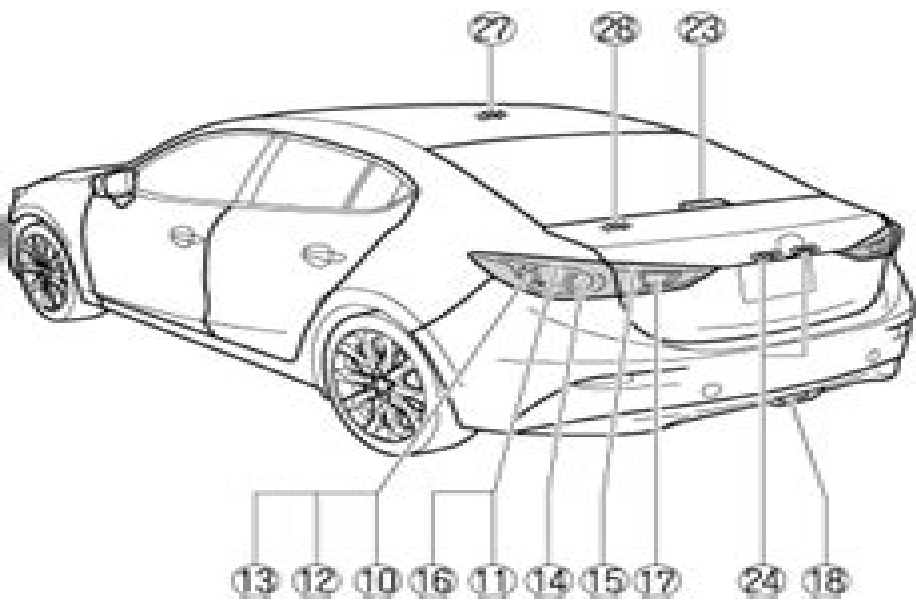
### With LED Headlights



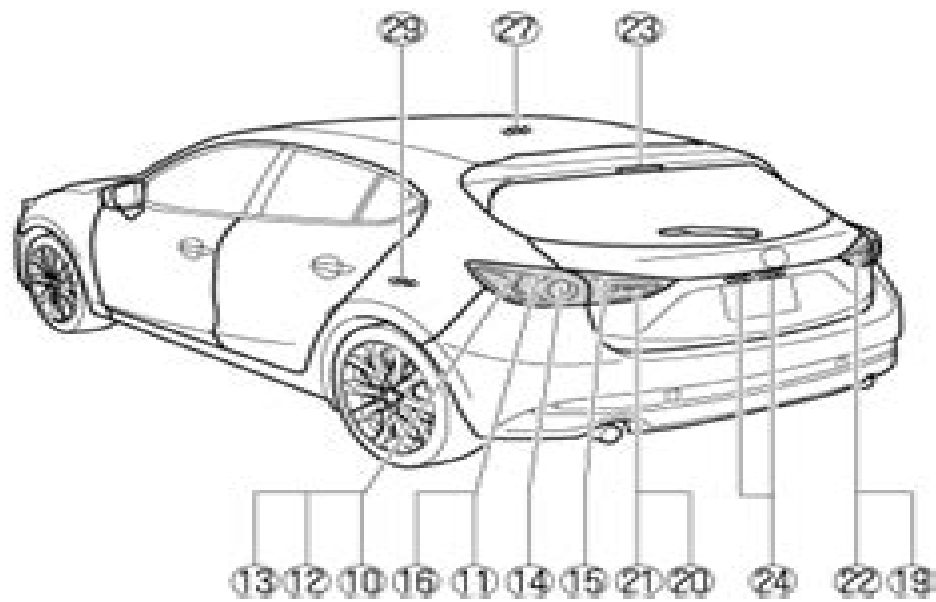
### With Halogen Headlights



### Saloon



### Hatchback



# Mazda3 2010 Owner Manual Bulb

**Christian G. Meyer**



**Mazda3 2010 Owner Manual Bulb:**

## The Enigmatic Realm of **Mazda3 2010 Owner Manual Bulb**: Unleashing the Language is Inner Magic

In a fast-paced digital era where connections and knowledge intertwine, the enigmatic realm of language reveals its inherent magic. Its capacity to stir emotions, ignite contemplation, and catalyze profound transformations is nothing short of extraordinary. Within the captivating pages of **Mazda3 2010 Owner Manual Bulb** a literary masterpiece penned with a renowned author, readers set about a transformative journey, unlocking the secrets and untapped potential embedded within each word. In this evaluation, we shall explore the book's core themes, assess its distinct writing style, and delve into its lasting impact on the hearts and minds of people who partake in its reading experience.

[https://staging.conocer.cide.edu/data/scholarship/fetch.php/Excellent\\_Enchanting\\_Guide.pdf](https://staging.conocer.cide.edu/data/scholarship/fetch.php/Excellent_Enchanting_Guide.pdf)

### **Table of Contents Mazda3 2010 Owner Manual Bulb**

1. Understanding the eBook Mazda3 2010 Owner Manual Bulb
  - The Rise of Digital Reading Mazda3 2010 Owner Manual Bulb
  - Advantages of eBooks Over Traditional Books
2. Identifying Mazda3 2010 Owner Manual Bulb
  - Exploring Different Genres
  - Considering Fiction vs. Non-Fiction
  - Determining Your Reading Goals
3. Choosing the Right eBook Platform
  - Popular eBook Platforms
  - Features to Look for in an Mazda3 2010 Owner Manual Bulb
  - User-Friendly Interface
4. Exploring eBook Recommendations from Mazda3 2010 Owner Manual Bulb
  - Personalized Recommendations
  - Mazda3 2010 Owner Manual Bulb User Reviews and Ratings
  - Mazda3 2010 Owner Manual Bulb and Bestseller Lists

5. Accessing Mazda3 2010 Owner Manual Bulb Free and Paid eBooks
  - Mazda3 2010 Owner Manual Bulb Public Domain eBooks
  - Mazda3 2010 Owner Manual Bulb eBook Subscription Services
  - Mazda3 2010 Owner Manual Bulb Budget-Friendly Options
6. Navigating Mazda3 2010 Owner Manual Bulb eBook Formats
  - ePub, PDF, MOBI, and More
  - Mazda3 2010 Owner Manual Bulb Compatibility with Devices
  - Mazda3 2010 Owner Manual Bulb Enhanced eBook Features
7. Enhancing Your Reading Experience
  - Adjustable Fonts and Text Sizes of Mazda3 2010 Owner Manual Bulb
  - Highlighting and Note-Taking Mazda3 2010 Owner Manual Bulb
  - Interactive Elements Mazda3 2010 Owner Manual Bulb
8. Staying Engaged with Mazda3 2010 Owner Manual Bulb
  - Joining Online Reading Communities
  - Participating in Virtual Book Clubs
  - Following Authors and Publishers Mazda3 2010 Owner Manual Bulb
9. Balancing eBooks and Physical Books Mazda3 2010 Owner Manual Bulb
  - Benefits of a Digital Library
  - Creating a Diverse Reading Collection Mazda3 2010 Owner Manual Bulb
10. Overcoming Reading Challenges
  - Dealing with Digital Eye Strain
  - Minimizing Distractions
  - Managing Screen Time
11. Cultivating a Reading Routine Mazda3 2010 Owner Manual Bulb
  - Setting Reading Goals Mazda3 2010 Owner Manual Bulb
  - Carving Out Dedicated Reading Time
12. Sourcing Reliable Information of Mazda3 2010 Owner Manual Bulb
  - Fact-Checking eBook Content of Mazda3 2010 Owner Manual Bulb
  - Distinguishing Credible Sources
13. Promoting Lifelong Learning

- Utilizing eBooks for Skill Development
  - Exploring Educational eBooks
14. Embracing eBook Trends
- Integration of Multimedia Elements
  - Interactive and Gamified eBooks

### **Mazda3 2010 Owner Manual Bulb Introduction**

In today's digital age, the availability of Mazda3 2010 Owner Manual Bulb books and manuals for download has revolutionized the way we access information. Gone are the days of physically flipping through pages and carrying heavy textbooks or manuals. With just a few clicks, we can now access a wealth of knowledge from the comfort of our own homes or on the go. This article will explore the advantages of Mazda3 2010 Owner Manual Bulb books and manuals for download, along with some popular platforms that offer these resources. One of the significant advantages of Mazda3 2010 Owner Manual Bulb books and manuals for download is the cost-saving aspect. Traditional books and manuals can be costly, especially if you need to purchase several of them for educational or professional purposes. By accessing Mazda3 2010 Owner Manual Bulb versions, you eliminate the need to spend money on physical copies. This not only saves you money but also reduces the environmental impact associated with book production and transportation. Furthermore, Mazda3 2010 Owner Manual Bulb books and manuals for download are incredibly convenient. With just a computer or smartphone and an internet connection, you can access a vast library of resources on any subject imaginable. Whether you're a student looking for textbooks, a professional seeking industry-specific manuals, or someone interested in self-improvement, these digital resources provide an efficient and accessible means of acquiring knowledge. Moreover, PDF books and manuals offer a range of benefits compared to other digital formats. PDF files are designed to retain their formatting regardless of the device used to open them. This ensures that the content appears exactly as intended by the author, with no loss of formatting or missing graphics. Additionally, PDF files can be easily annotated, bookmarked, and searched for specific terms, making them highly practical for studying or referencing. When it comes to accessing Mazda3 2010 Owner Manual Bulb books and manuals, several platforms offer an extensive collection of resources. One such platform is Project Gutenberg, a nonprofit organization that provides over 60,000 free eBooks. These books are primarily in the public domain, meaning they can be freely distributed and downloaded. Project Gutenberg offers a wide range of classic literature, making it an excellent resource for literature enthusiasts. Another popular platform for Mazda3 2010 Owner Manual Bulb books and manuals is Open Library. Open Library is an initiative of the Internet Archive, a non-profit organization dedicated to digitizing cultural artifacts and making them accessible to the public. Open Library hosts millions of books, including both public domain works and

contemporary titles. It also allows users to borrow digital copies of certain books for a limited period, similar to a library lending system. Additionally, many universities and educational institutions have their own digital libraries that provide free access to PDF books and manuals. These libraries often offer academic texts, research papers, and technical manuals, making them invaluable resources for students and researchers. Some notable examples include MIT OpenCourseWare, which offers free access to course materials from the Massachusetts Institute of Technology, and the Digital Public Library of America, which provides a vast collection of digitized books and historical documents. In conclusion, Mazda3 2010 Owner Manual Bulb books and manuals for download have transformed the way we access information. They provide a cost-effective and convenient means of acquiring knowledge, offering the ability to access a vast library of resources at our fingertips. With platforms like Project Gutenberg, Open Library, and various digital libraries offered by educational institutions, we have access to an ever-expanding collection of books and manuals. Whether for educational, professional, or personal purposes, these digital resources serve as valuable tools for continuous learning and self-improvement. So why not take advantage of the vast world of Mazda3 2010 Owner Manual Bulb books and manuals for download and embark on your journey of knowledge?

### **FAQs About Mazda3 2010 Owner Manual Bulb Books**

**What is a Mazda3 2010 Owner Manual Bulb PDF?** A PDF (Portable Document Format) is a file format developed by Adobe that preserves the layout and formatting of a document, regardless of the software, hardware, or operating system used to view or print it. **How do I create a Mazda3 2010 Owner Manual Bulb PDF?** There are several ways to create a PDF: Use software like Adobe Acrobat, Microsoft Word, or Google Docs, which often have built-in PDF creation tools. Print to PDF: Many applications and operating systems have a "Print to PDF" option that allows you to save a document as a PDF file instead of printing it on paper. Online converters: There are various online tools that can convert different file types to PDF. **How do I edit a Mazda3 2010 Owner Manual Bulb PDF?** Editing a PDF can be done with software like Adobe Acrobat, which allows direct editing of text, images, and other elements within the PDF. Some free tools, like PDFescape or Smallpdf, also offer basic editing capabilities. **How do I convert a Mazda3 2010 Owner Manual Bulb PDF to another file format?** There are multiple ways to convert a PDF to another format: Use online converters like Smallpdf, Zamzar, or Adobe Acrobats export feature to convert PDFs to formats like Word, Excel, JPEG, etc. Software like Adobe Acrobat, Microsoft Word, or other PDF editors may have options to export or save PDFs in different formats. **How do I password-protect a Mazda3 2010 Owner Manual Bulb PDF?** Most PDF editing software allows you to add password protection. In Adobe Acrobat, for instance, you can go to "File" -> "Properties" -> "Security" to set a password to restrict access or editing capabilities. Are

there any free alternatives to Adobe Acrobat for working with PDFs? Yes, there are many free alternatives for working with PDFs, such as: LibreOffice: Offers PDF editing features. PDFsam: Allows splitting, merging, and editing PDFs. Foxit Reader: Provides basic PDF viewing and editing capabilities. How do I compress a PDF file? You can use online tools like Smallpdf, ILovePDF, or desktop software like Adobe Acrobat to compress PDF files without significant quality loss. Compression reduces the file size, making it easier to share and download. Can I fill out forms in a PDF file? Yes, most PDF viewers/editors like Adobe Acrobat, Preview (on Mac), or various online tools allow you to fill out forms in PDF files by selecting text fields and entering information. Are there any restrictions when working with PDFs? Some PDFs might have restrictions set by their creator, such as password protection, editing restrictions, or print restrictions. Breaking these restrictions might require specific software or tools, which may or may not be legal depending on the circumstances and local laws.

**Find Mazda3 2010 Owner Manual Bulb :**

**excellent enchanting guide**

~~exercise guide for weider crossbow~~

exercices pour saffirmer

exercices pour peindre sur le motif

exercice 6 geologic time in lab manual

~~exploration chapter answers~~

*executive toy english edition*

**examples of yellow journalism articles**

**experiencing hildegard jungian perspectives expanded and revised**

~~excel vba clear autofilter~~

examples of educational philosophy papers

**exampler mathematics gr12014 paper 1**

excretion and homeostasis

**exampler lifescience paper2 november 2013**

exemplar 2014 physical science papergrade 10

**Mazda3 2010 Owner Manual Bulb :**

man tga service light reset copy reports budgetbakers - Jul 03 2022



web man tga service light reset maintenance of airport lighting and visual aids systems operator and organizational maintenance manual traction light ready for tomorrow electrical service repair maintenance and repair parts consumption guide for contingency operations operator organizational ds and gs maintenance manual

**ebook man tga service light reset portal sombridge edu so** - Jun 02 2022

web man tga service light reset automotive engines jul 15 2020 this complete textbook provides detailed content on the theory of operation diagnosis repair and rebuilding of automotive engines in addition to essential technical expertise the text helps users

repair manual for man truck mhh auto page 1 - Feb 27 2022

web jan 30 2019 search full backup 0281012246 audi a4 2007 jetta trying to find wiring diagram quick new user mhh auto forums trucks and buses software discussions repair manual for man truck thread rating 1 vote s 2 average

**man tga service light mhh auto page 1** - Jan 29 2022

web feb 28 2014 hi i was wondering if anyone knows how to reset the service light on a man tga 480 2008 thanks

**man tga service light reset help discoveram** - Dec 08 2022

web jun 8 2023 this man tga service light reset after getting deal our electronic repository hosts in various places allowing you to fetch the least processing delay to download any of our books like this one

*man tga engine repair manual 460 pdf scribd* - Aug 04 2022

web man tga engine repair manual 460 thank you very much for downloading man tga engine repair manual 460 as you may know people have look numerous times for their chosen novels like this man tga engine repair manual 460 but end up in infectious downloads rather than enjoying a good book with a cup of tea in the afternoon instead

man service interval reset obd2 diagnostics wiki diagwiki com - Sep 05 2022

web nov 10 2017 man service interval reset man stores service information in ffr ecu trucktester also allows service adjustment such as after oil type change etc

service light reset on tga man truck fixya - Jan 09 2023

web usually it s just a blown fuse that needs replacing or loose connection to the control unit tga man 26 410 fuse no 19 is the one that relays current to the zbr worsed case scenario your control unit has crashed

**man tgs 41 400 euro 6 reset information service youtube** - May 13 2023

web jan 21 2019 man tgs 41 400 euro 6 reset information service catalin barbu truck service 15 7k subscribers subscribe 102 22k views 4 years ago

**man tga service light mhh auto page 1** - Aug 16 2023

web feb 28 2014 joined jun 2013 1 02 28 2014 02 23 pm this post was last modified 02 28 2014 03 16 pm by jurez hi i was

wondering if anyone knows how to reset the service light on a man tga 480 2008 thanks

**man tga service light reset pqr uiaf gov co** - Nov 07 2022

web could enjoy now is man tga service light reset below applied nanotechnology vladimir ivanovitch kodolov 2016 12 08 this important book presents a collection of scientific papers on recent theoretical and practical advances in nanostructures nanomaterials and nanotechnologies highlighting some of the latest developments and trends in the

**view topic man service light reset trucknet uk** - Apr 12 2023

web dec 28 2013 good morning would anyone know how to reset the service lights on a man tlg 62 plate please

man tga service light reset 2022 old cosmc - Mar 31 2022

web man tga service light reset 3 3 smart meters consumer behavior and policies and programs eedal addressed non technical issues such as consumer behavior energy access in developing countries and demand response solid freeform fabrication springer science business media computational biophysics cdl study guide book center for *solved how do i reset the message service due on display fixya* - Oct 06 2022

web may 9 2018 when service is illuminated on the message center press the system check button on the right of the display then press the reset button the service symbol and mileage will start to flash next press the system check and reset buttons at the same time

man tga service manual manualmachine com - Jul 15 2023

web man tga service manual man service manual download guidelines to fitting bodies trucknology generation a tga edition 2011 version 1 0 p u b l i s h e r safety as a consequence of observation and perception in particular through the correct design of lighting systems

*man tga service light reset 2022 donate gpshope* - May 01 2022

web 4 man tga service light reset 2021 02 12 presently swp is delivering professional grade linux and related open source software oss technology training and consultant service in hong kong swp has an ambitious aim to promote the use of linux and related open source software oss and standards the vendor independent positioning of swp has

**man tga service reset mhh auto page 1** - Mar 11 2023

web sep 22 2014 it seems to be autocom cdp for old man trucks 2001 2005 autocom cdp pro with two pcb is better than cdp and much cheaper but the latest software for pro cdp was 2013 3 from 2014 cdp pro no longer benefit from other improvements to the software regards

man tgl tgm service anzeige youtube - Feb 10 2023

web mar 9 2021 man tge van service light reset procedure how to reset service schedule 2017 on *service light reset on a 2006 tga man truck fixya* - Dec 28 2021

web service light reset share on facebook share by email question about cars trucks open question service light reset on a 2006 tga man truck cars trucks posted by anonymous on aug 30 2013 want answer 0 clicking this will make more experts see the question and we will remind you when it gets answered comment flag

**man tge van service light reset procedure how to reset youtube** - Jun 14 2023

web feb 19 2023 man tge van service light reset procedure how to reset service schedule 2017 on marty s workshop 6 11k subscribers 3 1k views 6 months ago thank you for watching my video on how to

**metalmecanici news sky tg24** - May 06 2022

web a tre anni dalla scadenza è stato rinnovato il 17 dicembre 2021 il rinnovo del ccnl metalmecanici artigiani 2019 2022 il nuovo contratto è stato sottoscritto dai sindacati

**metalmecanici il contratto argina l il diario del lavoro** - Sep 10 2022

web sep 23 2023 con il rinnovo del ccnl metalmecanici industria e con l accordo del 16 giugno 2023 sono state aggiornate le tabelle retributive del contratto metalmecanici

**rinnovo contratto metalmecanici 2021 2024** - Jun 19 2023

lavoro agile entro la data di stesura definitiva del contratto federmeccanica assitalia e fim fiam uilm si sono impegnate a definire in dettaglio il quadro di see more

settore metalmecanica rinnovato il ccnl ipsoa - Mar 16 2023

web il contratto collettivo di lavoro dei metalmecanici coinvolge circa un milione e seicentomila lavoratori e lavoratrici l intesa prevede un aumento salariale a regime di 112 euro per il

metalmecanici ecco come ha funzionato la il diario del lavoro - Oct 11 2022

web l ultimo contratto diario metalmecanico by antonello di mario l ultimo contratto diario metalmecanico by antonello di mario fca ok dai delegati fim e uilm al contratto

**l ultimo contratto diario metalmecanico by antonello di mario** - Dec 13 2022

web feb 15 2021 l accordo interessa 1 6 milioni di addetti del settore metalmecanico e sarà in vigore fino al 30 giugno 2024 le novità più importanti del ccnl riguardano gli aumenti

cisal - Jan 14 2023

web dec 6 2022 per i dipendenti dei settori metalmecanico installazione d impianti e odontotecnico anpit cepi confimprenditori federodontotecnica unica con

*l ultimo contratto diario metalmecanico lafeltrinelli* - Apr 05 2022

web 08 giu 2023 a giugno 123 euro in più invece di 27 previsti nelle stime del rinnovo di febbraio 2021 chissà se i sindacati sono tutti concordi nel riconoscere che a funzionare è stata la

**contratto metalmeccanici 2021 2024 ecco il testo** - Sep 22 2023

l ipotesi di accordo a livello economico prevede unincremento a regime dei minimi tabellari definito in base al valore dell inflazione prevista per gli anni di see more

l ultimo contratto diario metalmeccanico antonello di mario - Aug 09 2022

web jun 9 2023 fernando liuzzi giugno 09 2023 le notizie sono due la prima è che a partire dalla fine di giugno le retribuzioni mensili delle lavoratrici e dei lavoratori attivi

**contratto metalmeccanici testo completo ccnl 2023** - Aug 21 2023

il contratto metalmeccanici industria prevede in caso di cambio appalto la clausola sociale ossia 1 l obbligo di comunicazione 30 giorni prima della data di see more

*rinnovo contratto metalmeccanici le novità laborability* - Feb 15 2023

web feb 17 2021 assistal e i sindacati fiom cgil fim cisl e uilm hanno raggiunto il 5 febbraio 2021 dopo più di anno di trattative l intesa per il rinnovo del contratto

**contratto metalmeccanici artigiani rinnovo 2019 2022** - Jul 08 2022

web jun 7 2023 a giugno 2023 sulla base dell indice ipca per l anno 2022 depurato dall inflazione dei beni energetici importati come pubblicato oggi dall istat le

l ultimo contratto diario metalmeccanico book - Mar 04 2022

web secondo uno studio promosso da fim cisl sul lavoro da casa nel settore dei metalmeccanici l 80 28 lug 06 30 12 foto metalmeccanici da federmeccanica 65

nuovo ccnl metalmeccanici sì dei lavoratori le novità - Apr 17 2023

web aumenti contratto metalmeccanici degli importi dei minimi tabellari in vigore dal 1 giugno 2023 in adempimento di quanto stabilito nell accordo di rinnovo 5 febbraio 2021 tra

*contratto metalmeccanici testo tabelle novità 2023* - Oct 23 2023

il ccnl 2021 qui il testo in pdf integrale adegua l inquadramento professionale definito con il contratto del 1973 ai cambiamenti organizzativi tecnologici e professionali degli ultimi anni il testo del contratto precedente del 2016 nell articolo ccnl metalmeccanici 2016 guida al testo in particolare dal see more

**contratto metalmeccanici** - Jul 20 2023

formazione continua riconfermato il diritto soggettivo di tutti i lavoratori alla formazione continua min 24 ore introdotto con il contratto del 2016 see more

l ultimo contratto diario metalmeccanico - Jan 02 2022

web l ultimo contratto jun 03 2023 fare la differenza feb 16 2022 repertorio generale annuale di giurisprudenza feb 25 2020

international and european labour law aug

*l ultimo contratto diario metalmeccanico youtube* - Feb 03 2022

web l ultimo contratto diario metalmeccanico è un libro di antonello di mario pubblicato da tullio pironti nella collana saggistica acquista su lafeltrinelli a 13 30 diario

*tabelle retributive metalmeccanici industria 2023 2024 stipendio* - Nov 12 2022

web cisal

**contratto metalmeccanici 2023 rinnovo livelli ferie e malattia** - Dec 01 2021

web presentazione libro di antonello di mario a terracina con pier paolo bombardieri seg organizzativo uil giovanni sgambati direttore editoriale pironti serv

l aumento dei salari dei metalmeccanici è il frutto di una - Jun 07 2022

web l ultimo contratto diario metalmeccanico è un libro di antonello di mario pubblicato da tullio pironti nella collana saggistica acquista su ibs a 14 00 diario metalmeccanico

cosa prevede il nuovo contratto metalmeccanici 2021 - May 18 2023

web sep 23 2023 contratto collettivo nazionale del lavoro comparto metalmeccanica premessa livelli tabelle retributive preavviso dimissioni ferie tredicesima titolo

how to get dressed a costume designer s secrets for ma - Aug 03 2022

web apr 14 2015 the book breaks down as follows 1 movie magic or why movie stars look like movie stars 2 fit the true enemy of great style 3 alter your clothes alter your

**how to get dressed a costume designer s secrets for** - Jul 14 2023

web may 1 2015 buy how to get dressed a costume designer s secrets for making your clothes look fit and feel amazing illustrated by alison freer isbn 9781607747062

*fashion designer adults the sims freeplay super cheats* - Nov 25 2021

web may 27 2014 while your sim does not get to keep them the fashion collection is a set of 12 different clothing designs fashion design collection set 1 brown fisherman s hat

how to get dressed a costume designer s secrets for making - Jul 02 2022

web xiii 241 pages 21 cm an ingenious book of simple wardrobe solutions clever tools and straightforward advice from a hollywood costume designer a costume designer s

**pdf epub how to get dressed a costume designer s** - Jun 01 2022

web jul 22 2023 here is a quick description and cover image of book how to get dressed a costume designer s secrets for making your clothes look fit and feel amazing

*how to get dressed a costume designer s secrets f anna* - Jan 28 2022

web get dressed a costume designer s secrets f appropriately simple how to get dressed alison freer 2015 04 14 costume designer alison freer s styling kit is a magical bag

**how to get dressed a costume designer s secrets for** - Feb 09 2023

web apr 14 2015 costume designer alison freer s styling kit is a magical bag of tricks built to solve every single wardrobe malfunction on earth tv and film productions wait for

how to get dressed a costume designer s secrets for - Jun 13 2023

web apr 14 2015 4 3 850 ratings see all formats and editions costume designer alison freer s styling kit is a magical bag of tricks built to solve every single wardrobe

*how to get dressed a costume designer s secrets for making* - Jan 08 2023

web in how to get dressed alison distills her secrets into a fun comprehensive style guide focused on rethinking your wardrobe like a fashion expert and making what s in your

how to get dressed a costume designer s secrets for making - Sep 23 2021

web in how to get dressed alison distills her secrets into a fun comprehensive style guide focused on rethinking your wardrobe like a fashion expert and making what s in your

*how to get dressed a costume designer s secrets for making* - Nov 06 2022

web buy how to get dressed a costume designer s secrets for making your clothes look fit and feel amazing by freer alison online on amazon ae at best prices fast and free

*how to get dressed a costume designer s secrets for making* - Dec 27 2021

web how to get dressed a costume designer s secrets for making your clothes look f 2 product ratings see original listing good aug 25 2023 3 11pm us 5 46 free

how to get dressed a costume designer s secrets for making - Dec 07 2022

web amazon in buy how to get dressed a costume designer s secrets for making your clothes look fit and feel amazing book online at best prices in india on amazon in

**how to get dressed on apple books** - Mar 30 2022

web costume designer alison freer s styling kit is a magical bag of tricks built to solve every single wardrobe malfunction on earth tv and film productions wait for nothing so her

**what is a costume designer skills responsibilities and** - Feb 26 2022

web aug 23 2021 from superman s cape to dorothy s slippers costumes can be as identifiable with a character as the actor who played the part yet most would be hard

**how to get dressed a costume designer s secrets for making** - Oct 25 2021

web apr 14 2015 how to get dressed a costume designer s secrets for making your clothes look fit and feel amazing kindle edition by freer alison download it once

*how to get dressed a costume designer s secrets for* - May 12 2023

web apr 14 2015 in how to get dressed alison distills her secrets into a fun comprehensive style guide focused on rethinking your wardrobe like a fashion expert and making what s

how to get dressed a costume designer s secrets for making - Oct 05 2022

web an ingenious book of simple wardrobe solutions clever tools and straightforward advice from a hollywood costume designer a costume designer s styling kit is a magical bag

*how to get dressed a costume designer s secrets for* - Mar 10 2023

web apr 14 2015 how to get dressed a costume designer s secrets for making your clothes look fit and feel amazing ebook freer alison amazon co uk books

how to get dressed a costume designer s secrets for making - Apr 30 2022

web how to get dressed a costume designer s secrets for making your clothes look fit and feel amazing pdf by alison freer textile ebook

**how to get dressed a costume designer s secrets for** - Apr 11 2023

web alison freer apr 2015 sold by ten speed press 3 9 star 20 reviews ebook 256 pages family home eligible info 11 99 ebook free sample about this ebook arrow forward

how to get dressed a costume designer s secrets for making - Sep 04 2022

web how to get dressed a costume designer s secrets for making your clothes look fit and feel amazing by freer alison isbn 10 1607747065 isbn 13 9781607747062

**how to get dressed a costume designer s secrets for** - Aug 15 2023

web apr 14 2015 how to get dressed a costume designer s secrets for making your clothes look fit and feel amazing freer alison 9781607747062 amazon com