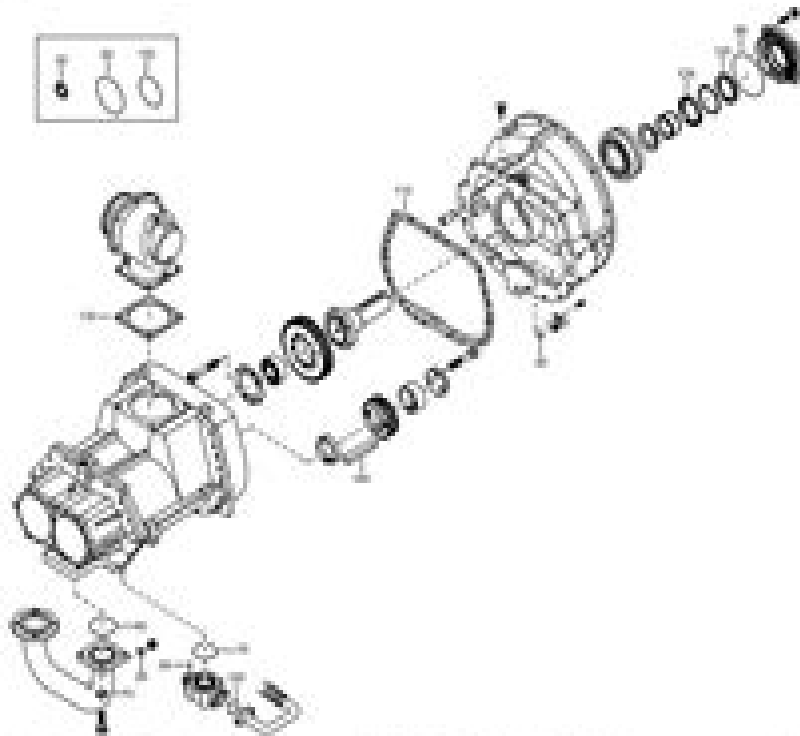


**SERVICE KIT**

CURRENT INSULATION



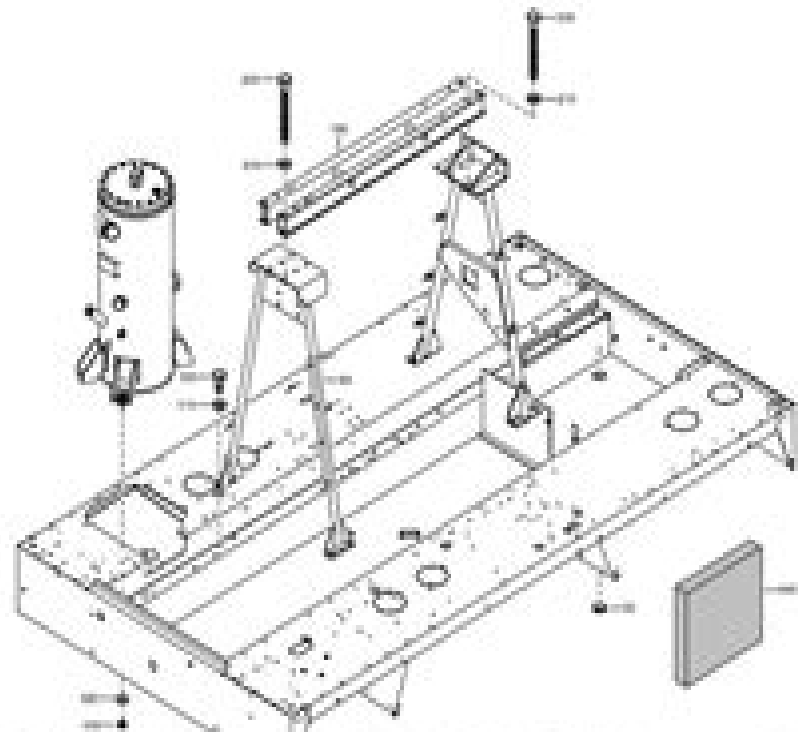
REF.	PART NUMBER	DESCRIPTION	QTY.	REF.	PART NUMBER	DESCRIPTION	QTY.
-	000 000 00	DRIVE ROT ELEMENT DRIVERS	1				
01	000 000 00	LEAD FRAME	1				
02	000 000 00	PLATE WASH	1				
03	000 000 00	WASHER PLATE	1				
04	000 000 00	WASHER	1				
05	000 000 00	WASHER	1				
06	000 000 00	WASHER	1				
07	000 000 00	WASHER	1				
08	000 000 00	WASHER	1				
09	000 000 00	WASHER	1				
10	000 000 00	WASHER	1				
11	000 000 00	WASHER	1				
12	000 000 00	WASHER	1				
13	000 000 00	WASHER	1				
14	000 000 00	WASHER	1				
15	000 000 00	WASHER	1				
16	000 000 00	WASHER	1				
17	000 000 00	WASHER	1				
18	000 000 00	WASHER	1				
19	000 000 00	WASHER	1				
20	000 000 00	WASHER	1				

REV. 000 000

00

**STANDARD**

FRAME AND MOUNT



REF.	PART NUMBER	DESCRIPTION	QTY.	REF.	PART NUMBER	DESCRIPTION	QTY.
01	000 000 00	BACK	1				
02	000 000 00	FRONT	1				
03	000 000 00	MTS BRAD W/HEX	4				
04	000 000 00	BLAD THUMB	4				
05	000 000 00	BLAD	4				
06	000 000 00	MTS BRAD W/HEX	4				
07	000 000 00	BLAD THUMB	4				
08	000 000 00	BLAD THUMB	4				
09	000 000 00	LOCKWIT	4				
10	000 000 00	ISOLATION PLAT	1				
-	000 000 00	ISOLATION PLAT					
-	000 000 00	ISOLATION PLAT					
-	000 000 00	ISOLATION PLAT					
-	000 000 00	ISOLATION PLAT					

REV. 000 000

00

# Manual Atlas Copco Xa 186

**Torgny Rogert, S. Bertil Andersson**

## **Manual Atlas Copco Xa 186:**

Recognizing the artifice ways to acquire this books **Manual Atlas Copco Xa 186** is additionally useful. You have remained in right site to start getting this info. acquire the Manual Atlas Copco Xa 186 associate that we give here and check out the link.

You could buy guide Manual Atlas Copco Xa 186 or get it as soon as feasible. You could quickly download this Manual Atlas Copco Xa 186 after getting deal. So, behind you require the books swiftly, you can straight acquire it. Its suitably unquestionably simple and suitably fats, isnt it? You have to favor to in this song

<https://staging.conocer.cide.edu/files/browse/index.jsp/ems%20grade%209%20november%20exam%202014%20memorandum.pdf>

## **Table of Contents Manual Atlas Copco Xa 186**

1. Understanding the eBook Manual Atlas Copco Xa 186
  - The Rise of Digital Reading Manual Atlas Copco Xa 186
  - Advantages of eBooks Over Traditional Books
2. Identifying Manual Atlas Copco Xa 186
  - Exploring Different Genres
  - Considering Fiction vs. Non-Fiction
  - Determining Your Reading Goals
3. Choosing the Right eBook Platform
  - Popular eBook Platforms
  - Features to Look for in an Manual Atlas Copco Xa 186
  - User-Friendly Interface
4. Exploring eBook Recommendations from Manual Atlas Copco Xa 186
  - Personalized Recommendations
  - Manual Atlas Copco Xa 186 User Reviews and Ratings
  - Manual Atlas Copco Xa 186 and Bestseller Lists

5. Accessing Manual Atlas Copco Xa 186 Free and Paid eBooks
  - Manual Atlas Copco Xa 186 Public Domain eBooks
  - Manual Atlas Copco Xa 186 eBook Subscription Services
  - Manual Atlas Copco Xa 186 Budget-Friendly Options
6. Navigating Manual Atlas Copco Xa 186 eBook Formats
  - ePub, PDF, MOBI, and More
  - Manual Atlas Copco Xa 186 Compatibility with Devices
  - Manual Atlas Copco Xa 186 Enhanced eBook Features
7. Enhancing Your Reading Experience
  - Adjustable Fonts and Text Sizes of Manual Atlas Copco Xa 186
  - Highlighting and Note-Taking Manual Atlas Copco Xa 186
  - Interactive Elements Manual Atlas Copco Xa 186
8. Staying Engaged with Manual Atlas Copco Xa 186
  - Joining Online Reading Communities
  - Participating in Virtual Book Clubs
  - Following Authors and Publishers Manual Atlas Copco Xa 186
9. Balancing eBooks and Physical Books Manual Atlas Copco Xa 186
  - Benefits of a Digital Library
  - Creating a Diverse Reading Collection Manual Atlas Copco Xa 186
10. Overcoming Reading Challenges
  - Dealing with Digital Eye Strain
  - Minimizing Distractions
  - Managing Screen Time
11. Cultivating a Reading Routine Manual Atlas Copco Xa 186
  - Setting Reading Goals Manual Atlas Copco Xa 186
  - Carving Out Dedicated Reading Time
12. Sourcing Reliable Information of Manual Atlas Copco Xa 186
  - Fact-Checking eBook Content of Manual Atlas Copco Xa 186
  - Distinguishing Credible Sources
13. Promoting Lifelong Learning

- Utilizing eBooks for Skill Development
  - Exploring Educational eBooks
14. Embracing eBook Trends
- Integration of Multimedia Elements
  - Interactive and Gamified eBooks

### **Manual Atlas Copco Xa 186 Introduction**

Manual Atlas Copco Xa 186 Offers over 60,000 free eBooks, including many classics that are in the public domain. Open Library: Provides access to over 1 million free eBooks, including classic literature and contemporary works. Manual Atlas Copco Xa 186 Offers a vast collection of books, some of which are available for free as PDF downloads, particularly older books in the public domain. Manual Atlas Copco Xa 186 : This website hosts a vast collection of scientific articles, books, and textbooks. While it operates in a legal gray area due to copyright issues, its a popular resource for finding various publications. Internet Archive for Manual Atlas Copco Xa 186 : Has an extensive collection of digital content, including books, articles, videos, and more. It has a massive library of free downloadable books. Free-eBooks Manual Atlas Copco Xa 186 Offers a diverse range of free eBooks across various genres. Manual Atlas Copco Xa 186 Focuses mainly on educational books, textbooks, and business books. It offers free PDF downloads for educational purposes. Manual Atlas Copco Xa 186 Provides a large selection of free eBooks in different genres, which are available for download in various formats, including PDF. Finding specific Manual Atlas Copco Xa 186, especially related to Manual Atlas Copco Xa 186, might be challenging as theyre often artistic creations rather than practical blueprints. However, you can explore the following steps to search for or create your own Online Searches: Look for websites, forums, or blogs dedicated to Manual Atlas Copco Xa 186, Sometimes enthusiasts share their designs or concepts in PDF format. Books and Magazines Some Manual Atlas Copco Xa 186 books or magazines might include. Look for these in online stores or libraries. Remember that while Manual Atlas Copco Xa 186, sharing copyrighted material without permission is not legal. Always ensure youre either creating your own or obtaining them from legitimate sources that allow sharing and downloading. Library Check if your local library offers eBook lending services. Many libraries have digital catalogs where you can borrow Manual Atlas Copco Xa 186 eBooks for free, including popular titles. Online Retailers: Websites like Amazon, Google Books, or Apple Books often sell eBooks. Sometimes, authors or publishers offer promotions or free periods for certain books. Authors Website Occasionally, authors provide excerpts or short stories for free on their websites. While this might not be the Manual Atlas Copco Xa 186 full book , it can give you a taste of the authors writing style. Subscription Services Platforms like Kindle Unlimited or Scribd offer subscription-based access to a wide range of Manual Atlas Copco Xa 186 eBooks, including some popular titles.

## FAQs About Manual Atlas Copco Xa 186 Books

How do I know which eBook platform is the best for me? Finding the best eBook platform depends on your reading preferences and device compatibility. Research different platforms, read user reviews, and explore their features before making a choice. Are free eBooks of good quality? Yes, many reputable platforms offer high-quality free eBooks, including classics and public domain works. However, make sure to verify the source to ensure the eBook credibility. Can I read eBooks without an eReader? Absolutely! Most eBook platforms offer web-based readers or mobile apps that allow you to read eBooks on your computer, tablet, or smartphone. How do I avoid digital eye strain while reading eBooks? To prevent digital eye strain, take regular breaks, adjust the font size and background color, and ensure proper lighting while reading eBooks. What the advantage of interactive eBooks? Interactive eBooks incorporate multimedia elements, quizzes, and activities, enhancing the reader engagement and providing a more immersive learning experience. Manual Atlas Copco Xa 186 is one of the best book in our library for free trial. We provide copy of Manual Atlas Copco Xa 186 in digital format, so the resources that you find are reliable. There are also many Ebooks of related with Manual Atlas Copco Xa 186. Where to download Manual Atlas Copco Xa 186 online for free? Are you looking for Manual Atlas Copco Xa 186 PDF? This is definitely going to save you time and cash in something you should think about.

### Find Manual Atlas Copco Xa 186 :

**ems grade 9 november exam 2014 memorandum**

[engine fuse box peugeot 206](#)

**ems question paper grade 9 caps 2014**

[en preacutesence de ramana maharshi en teacutemoignage de suri nagamma](#)

[ems final exam for grade 8 2014](#)

[engagement managers manual](#)

[empire city no woman s land](#)

**end of the road**

*empirical formula packet*

[engine 3406b battery diagram](#)

**ems grade 8 exam papers**

**ems ana exemplar for grade 9 2014**

*ems grade9 final exam 2014*

energy skate park simulation answers

**engageny grade 4 module 4 math resources**

**Manual Atlas Copco Xa 186 :**

**drinking french the iconic cocktails apéritifs and** - Oct 24 2021

**10 most popular french cocktails tasteatlas** - Jul 01 2022

web bestselling cookbook author memoirist and popular blogger david lebovitz delves into the drinking culture of france in drinking french this beautifully photographed collection

77 french apéritif drinks explained a mini guide to predinner - Jan 27 2022

web in the north west of france you will be able to enjoy some delicate apple and pear specialities like the famous cider whilst in the east the champagne and the beer

**drinking french the iconic cocktails apéritifs and café** - Mar 29 2022

web 77 french apéritif drinks explained a mini guide to predinner drinks more than a simple list of 77 french apéritifs it s also a mini guide to these magical pre dinner liquids tags

**drinking french the iconic cocktails apéritifs and café** - Sep 22 2021

drinking french the iconic cocktails apéritifs and café - Aug 14 2023

web mar 3 2020 view kindle edition tales of the cocktail spirited award winner iacp award finalist the new york times bestselling author of my

drinking french the iconic cocktails apéritifs and café - Mar 09 2023

web drinking french the iconic cocktails apéritifs and café traditions of france with 160 recipes lebovitz david amazon com au books

drinking french the iconic cocktails apéritifs and café - Jan 07 2023

web mar 31 2021 iconic cocktails apéritifs and café traditions of france with 160 recipes online pdf book drinking french the iconic cocktails apéritifs and café

**17 french apéritifs for your next happy hour snippets of paris** - Feb 25 2022

web sep 20 2021 bloody mary kir mimosa blue lagoon for most people cocktails are synonymous with festivities did you know some of the most famous cocktails were

**drinking french the iconic cocktails apéritifs and c** - Jun 12 2023



web mar 3 2020 tales of the cocktail spirited award winner iacp award finalist the new york times bestselling author of my paris kitchen serves up more

[french aperitif drinks aperitifs in france french property com](#) - Nov 24 2021

[drinking french the iconic cocktails apéritifs and café](#) - Feb 08 2023

web the new york times bestselling cookbook author memoirist and popular blogger david lebovitz delves into the drinking culture of france in drinking french this beautifully

**pdf book drinking french the iconic cocktails apéritifs** - Nov 05 2022

web mar 3 2020 booktopia has drinking french the iconic cocktails aperitifs and cafe traditions of france with 160 recipes by david lebovitz buy a discounted hardcover

**drinking french the iconic cocktails aperitifs and cafe traditions** - Jul 13 2023

web kindle 14 99 rate this book drinking french the iconic cocktails apéritifs and café traditions of france with 160 recipes david lebovitz ed anderson photographer

**14 classic french aperitifs you should try afar** - May 31 2022

web 1 picon club page 48 from drinking french the iconic cocktails apéritifs and café traditions of france with 160 recipes by david lebovitz categories cocktails drinks

**here are the 26 most famous french cocktails france hotel** - Dec 26 2021

web mar 3 2020 drinking french the iconic cocktails apéritifs and café traditions of france with 160 recipes user review publishers weekly lebovitz my paris

**drinking french the iconic cocktails apéritifs and café** - Oct 04 2022

web drinking french the iconic cocktails apéritifs and café traditions customer reviews customer reviews 4 8 out of 5 954 global ratings top positive review all positive reviews

**drinking french the iconic cocktails apéritifs and café** - May 11 2023

web mar 3 2020 bestselling cookbook author memoirist and popular blogger david lebovitz delves into the drinking culture of france in drinking french this beautifully

*amazon com customer reviews drinking french the iconic* - Aug 02 2022

web sep 29 2022 a kir is the most classic french aperitif to order in a café a sweet two ingredient cocktail that takes seconds to make and is always served in a small wine

*drinking french by david lebovitz 9781607749295* - Apr 29 2022

web apéritif an alcoholic drink before a meal to stimulate the appetite french definition english translation in france cocktails

are not usually served with dinner it is usually

[drinking french the iconic cocktails aperitifs and cafe](#) - Sep 03 2022

web 2 days ago earthquake is a cocktail that was supposedly invented by a french painter named henri de toulouse lautrec

it is made with equal parts of absinthe and cognac

**drinking french the iconic cocktails apéritifs and** - Dec 06 2022

web bestselling cookbook author memoirist and popular blogger david lebovitz delves into the drinking culture of france in

drinking french this beautifully photographed collection

[drinking french the iconic cocktails apéritifs and café](#) - Apr 10 2023

web ten speed press publish date march 03 2020 pages 304 dimensions 7 2 x 9 1 x 1 0 inches 2 3 pounds language english

type hardcover ean upc 9781607749295

**daily dialogue march 1 2017 harry wait a minute ron** - Feb 23 2023

web sep 28 2023 by jamie bullen 28 september 2023 1 40pm sir michael gambon actor sir michael gambon has died in

hospital aged 82 his family said the dublin born star of

*harry potter scripts collection screenplays download* - May 29 2023

web jun 16 2020 harry potter scripts collection screenplays download bulletproof screenwriting june 16 2020 what can be

said about harry potter that hasn t been

**harry potter movie scripts scripts on screen** - Apr 27 2023

web

*michael gambon dumbledore in harry potter dies at 82 ap* - Nov 22 2022

web sep 28 2023 sept 28 2023 michael gambon the irish born actor who drew acclaim from both audiences and peers for

his stage and screen work and who won even wider

**michael gambon who played dumbledore in harry potter dies** - Jul 19 2022

web synopsis without the guidance and protection of their professors harry daniel radcliffe ron rupert grint and hermione

emma watson begin a mission to destroy the

**harry potter and the deathly hallows** - Oct 22 2022

web may 31 2021 for all silenced the great harry potter a flash of magic occurs and mad eye is knocked into the wall

dumbledore and severus come rushing in dumbledore takes

*detailed masterlist of things to script hogwarts visuals* - Jun 05 2021

**the entire harry potter script hogwarts is here** - Jul 31 2023

web may 31 2021 hagrid they re goblins harry clever as they come goblins but not the most friendly of beasts best stick close to me harry sticks to him hagrid clears his throat

**harry potter and the sorcerer s stone script pdf sw** - May 05 2021

□ ` *detailed masterlist of things to script hogwarts visuals* □ - Oct 10 2021

web script for monologue harry potter theme song plays throughout i am harry potter the boy who lived for the rest of the wizarding world knows my story non magic people or

**harry potter and the sorcerer s stone script in pdf format** - Nov 10 2021

web may 31 2021 i will include my script templates and tips as well as a bunch of shifting methods i m also going to use this to track my progress with trying to shift last updated

*harry potter actor sir michael gambon dies aged 82 the* - Dec 24 2022

web this script is the confidential and proprietary property of warner bros pictures and no portion of it may be performed distributed reproduced used harry potter and

**the entire harry potter script hogwarts is here** - Aug 20 2022

web nov 10 2016 the shooting script is the version of a screenplay that becomes the finished film or at least the closest thing to it because unlike a novel a script never really stops

**michael gambon dumbledore in the harry potter films dies at 82** - Sep 20 2022

web sep 28 2023 michael gambon dies at 82 he played dumbledore in harry potter gambon was best known for playing albus dumbledore in most of the harry potter

*harry potter the complete screenplays 2001 2011* - Jan 25 2023

web sep 28 2023 michael gambon veteran actor who played dumbledore in harry potter films dies at age 82 veteran actor michael gambon who was known to many for his

harry potter daily script - Sep 01 2023

web harry bounds down the stairs and into the front hall where his aunt petunia and cousin dudley stand stiffly petunia flicks a bit of fluff from dudley s sweater glowers crossly

**michael gambon dumbledore in harry potter films dies at 82** - Apr 15 2022

web harry potter and the deathly hallows script 1 the camera runs along the hills and through a field and ends up to hogwarts castle where it goes around the back and ends up with

*the entire harry potter script hogwarts is here* - Jun 29 2023

web may 31 2021 to protect harry potter to warn him in a fierce whisper harry potter must not go back to hogwarts school

of witchcraft and wizardry this year harry not go

**harry potter monologue pdf harry potter universe scribd** - Aug 08 2021

web apr 17 2021 please remember scripting is not necessary to shift anyone can get to their dr desired reality without a script if you choose to script it can be on

*harry potter and the deathly hallows part 1 script pdf sw* - May 17 2022

web aug 29 2021 some time later harry wakes up to find dumbledore at his bedside dumbledore informs him that ron and hermione are safe the sorcerer s stone has

**performance season potion making the development of a script** - Jun 17 2022

web sep 28 2023 daily morning edition he was best known for his role as dumbledore in the blockbuster franchise harry potter obituaries michael gambon dumbledore in

harry potter script pdf contemporary fantasy novels - Dec 12 2021

web apr 16 2021 please remember scripting is not necessary to shift anyone can get to their dr desired reality without a script if you choose to script it can be on

*harry potter script pdf harry potter universe contemporary* - Feb 11 2022

web scene 1 harry platform 9 ¾ but hagrid there must be a mistake this says platform 9 ¾ there is no such thing is there harry looks up and hagrid has vanished harry is

shifting to hogwarts hogwarts library hogwarts is here - Sep 08 2021

web may 31 2021 harry potter madam rosmerta harry potter continued 65 80 continued 2 80 fudge looks around nervously then jerks his head toward the pub

**harry potter script pdf download sorcerer s stone analysis** - Mar 15 2022

web mr harry potter wishes to make a withdrawal the goblin looks up goblin and does mr harry potter have his key hagrid oh wait a minute got it here somewhere ha

*harry potter and the order of the phoenix daily script* - Mar 27 2023

web mar 1 2017 harry potter and the sorcerer s stone 2001 screenplay by steve kloves based on the novel by j k rowling the daily dialogue theme for next week sidekick

*harry potter and the philosopher s stone transcript* - Jan 13 2022

web read review and discuss the harry potter and the sorcerer s stone script in pdf format on scripts com

*the entire harry potter script hogwarts is here* - Jul 07 2021

web adaptation of the first of j k rowling s popular children s novels about harry potter a boy who learns on his eleventh birthday that he is the orphaned son of two powerful wizards

**gcse maths past papers and mark schemes june 2022 available** - Jan 08 2023

web gcse maths past papers mark schemes and model answers written mark schemes for all gcse exam boards edexcel aqa ocr and wjec

**edexcel past papers edexcel mark schemes exam solutions** - Apr 11 2023

web the mme gcse maths revision guide covers the entire gcse maths course with easy to understand examples explanations and plenty of exam style questions we also provide a separate answer book to make checking your answers easier

q27 answers paper 1 june 19 edexcel gcse maths - Jun 01 2022

web back to edexcel maths foundation june 2019 paper 1 home q27 answers paper 1 june 2019 6 pens in each pack of green pens on monday a total of 212 pens were sold work out the number of green pens sold question 27 a shop sells packs of black pens packs of red pens and packs of green pens there are

pearson edexcel international gcse in mathematics a 4ma1 - Feb 26 2022

web mar 7 2019 the answer on the answer line makes clear the method that has been used if there is no answer on the answer line then check the working for an obvious answer ignoring subsequent work it is appropriate to ignore subsequent work when the additional work does not change the answer in a way that is inappropriate for the question eg

*edexcel gcse maths practice papers sets 1 18 mymathscloud* - Aug 03 2022

web edexcel gcse practice papers for the latest edexcel 1ma1 exam board syllabus all sets contain questions from past papers edexcel gcse practice tests set 1 set 22 edexcel aiming for 4 practice sets edexcel aiming for 5 practice sets edexcel aiming for 7 practice sets edexcel aiming for 9 practice sets aiming for 4

**maths gcse edexcel gcse mathematics 2015 pearson** - Dec 07 2022

web information about the new edexcel gcse in mathematics 2015 for students and teachers including the draft specification and other key documents

*edexcel gcse maths exam questions quizlet* - Nov 06 2022

web edexcel gcse maths exam questions use quizlet for edexcel gcse mathematics to learn about everything from algebraic formulae to probabilities discover curriculum aligned exam question sets for the entire edexcel mathematics

**past papers past exam papers pearson qualifications** - Jun 13 2023

web past papers our easy to use past paper search gives you instant access to a large library of past exam papers and mark schemes they re available free to teachers and students although only teachers can access the most recent papers sat within the past 12 months what past papers are available when and to whom

mark scheme results june 2011 pearson qualifications - Sep 04 2022

web aug 24 2011 answer mark notes sc b1 for multiplying both sides by 12 ie  $10 \cdot 9 \cdot 1$  total 2 marks further copies of this

publication are available from international regional offices at edexcel.com international for more information on edexcel qualifications please visit edexcel.com

*maths genie edexcel gcse may june 2022 foundation* - Dec 27 2021

web revision topic list for the edexcel gcse maths foundation tier exam in may june 2022 based on the advance information gcse revision gcse papers edexcel may june 2022 foundation gcse revision red topics are for papers 1 and 2 green topics are for paper 3 grade 1 videos exam questions exam questions booklet

mark scheme results june 2011 maths genie - Mar 10 2023

web 7 probability probability answers must be given a fractions percentages or decimals if a candidate gives a decimal equivalent to a probability this should be written to at least 2 decimal places unless tenths

*paper 1h edexcel gcse maths past paper topic questions june* - Oct 05 2022

web model answer video solution for edexcel gcse maths june 2018 paper 1h make your exam revision easy

**edexcel gcse maths papers answers grade boundaries f** - Feb 09 2023

web 11 25 27 covid nov 2021 69 166 56 134 41 5 100 27 5 66 13 5 32 june 2022 72 173 56 135 41 5 100 27 5 66 13 5 32 novemeber 2022 72 173 56 135 41 5 100 27 5 66 13 5 32 june 2023

**maths genie edexcel gcse maths past papers mark** - Aug 15 2023

web maths gcse past papers foundation and higher for the edexcel exam board with mark schemes grade boundaries model answers and video solutions

*international gcse answers international schools pearson* - May 12 2023

web languages 9 1 2017 download french answers download german answers download spanish answers download arabic answers download chinese answers

**edexcel gcse maths past papers revision maths** - Jul 14 2023

web pearson edexcel gcse maths past exam papers and marking schemes for gcse 9 1 in mathematics 1ma1 and prior to 2017 mathematics a and mathematics b syllabuses the past papers are free to download for you to use as practice for your exams

*gcse edexcel june 2012 maths past papers* - Jul 02 2022

web find all june 2012 maths past papers past exam papers at smoothmaths you can download all past exam papers and access detailed solutions solved by maths 11 plus

**edexcel may june 2022 higher gcse revision maths genie** - Jan 28 2022

web revision topic list for the edexcel gcse maths higher tier exam in may june 2022 based on the advance information

*level 1 level 2 gcse 9 1 monday 8 june 2020 maths genie* - Apr 30 2022

web pearson edexcel level 1 level 2 gcse 9 1 monday 8 june 2020 you must have ruler graduated in centimetres and

millimetres protractor pair of compasses pen hb pencil eraser calculator tracing paper may be used morning time 1 hour 30 minutes paper reference 1ma1 3f mathematics paper 3 calculator foundation tier p62276a

**how to answer the impossible question on the edexcel gcse maths** - Mar 30 2022

web the sector has the same area as the sector we calculated earlier due to it again being a 60 sector with sides of 4cm its area is therefore  $8\pi$  3 cm<sup>2</sup> the triangle s area can be calculated using the formula  $\frac{1}{2} ab \sin c$  triangle area  $\frac{1}{2} 4 4 \sin 60$   $\frac{1}{2} 16 \frac{\sqrt{3}}{2}$  3 cm<sup>2</sup> note that we should remember that  $\sin 60$