



Dishwashers

Safety Instructions 2-3

Operating Instructions

Care and Cleaning 11
Getting Started 4-5
Loading and Place Settings 8-9
Loading the silverware baskets 10
Using the Dishwasher 6-7

Troubleshooting Tips 12-14

Consumer Support

Consumer Support 16
Warranty 15

Owner's Manual

Dishwashers
ADT520 Series
GDF510-540 Series
GDT530-550 Series

Lave-vaisselle

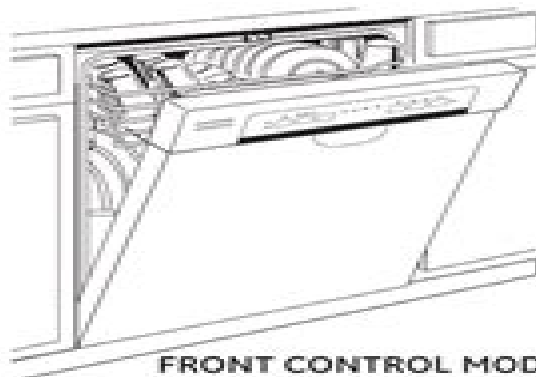
Manuel d'utilisation

La section française commence à la page 17

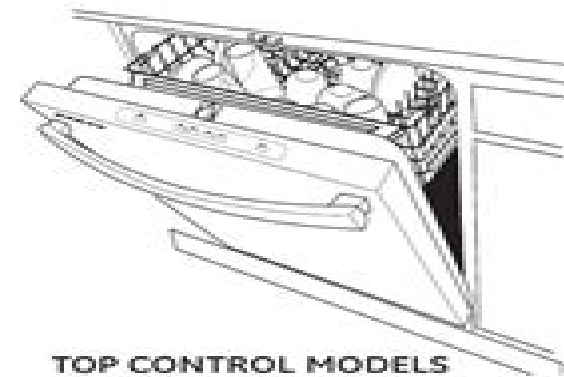
Lavaplatos

Manual del propietario

La sección en español empieza en la página 33



FRONT CONTROL MODELS



TOP CONTROL MODELS

Write the model and serial numbers here:

Model # _____

Serial # _____

You can find them on the tub wall just inside the door.

Ge Appliance Repair Manual Dishwasher

G Orfield



Ge Appliance Repair Manual Dishwasher:

Delve into the emotional tapestry woven by in Experience **Ge Appliance Repair Manual Dishwasher** . This ebook, available for download in a PDF format (PDF Size: *), is more than just words on a page; itis a journey of connection and profound emotion. Immerse yourself in narratives that tug at your heartstrings. Download now to experience the pulse of each page and let your emotions run wild.

<https://staging.conocer.cide.edu/results/detail/HomePages/Guide%20Of%20Electrical%20Design%20Engineer.pdf>

Table of Contents Ge Appliance Repair Manual Dishwasher

1. Understanding the eBook Ge Appliance Repair Manual Dishwasher
 - The Rise of Digital Reading Ge Appliance Repair Manual Dishwasher
 - Advantages of eBooks Over Traditional Books
2. Identifying Ge Appliance Repair Manual Dishwasher
 - Exploring Different Genres
 - Considering Fiction vs. Non-Fiction
 - Determining Your Reading Goals
3. Choosing the Right eBook Platform
 - Popular eBook Platforms
 - Features to Look for in an Ge Appliance Repair Manual Dishwasher
 - User-Friendly Interface
4. Exploring eBook Recommendations from Ge Appliance Repair Manual Dishwasher
 - Personalized Recommendations
 - Ge Appliance Repair Manual Dishwasher User Reviews and Ratings
 - Ge Appliance Repair Manual Dishwasher and Bestseller Lists
5. Accessing Ge Appliance Repair Manual Dishwasher Free and Paid eBooks
 - Ge Appliance Repair Manual Dishwasher Public Domain eBooks
 - Ge Appliance Repair Manual Dishwasher eBook Subscription Services
 - Ge Appliance Repair Manual Dishwasher Budget-Friendly Options

6. Navigating Ge Appliance Repair Manual Dishwasher eBook Formats
 - ePub, PDF, MOBI, and More
 - Ge Appliance Repair Manual Dishwasher Compatibility with Devices
 - Ge Appliance Repair Manual Dishwasher Enhanced eBook Features
7. Enhancing Your Reading Experience
 - Adjustable Fonts and Text Sizes of Ge Appliance Repair Manual Dishwasher
 - Highlighting and Note-Taking Ge Appliance Repair Manual Dishwasher
 - Interactive Elements Ge Appliance Repair Manual Dishwasher
8. Staying Engaged with Ge Appliance Repair Manual Dishwasher
 - Joining Online Reading Communities
 - Participating in Virtual Book Clubs
 - Following Authors and Publishers Ge Appliance Repair Manual Dishwasher
9. Balancing eBooks and Physical Books Ge Appliance Repair Manual Dishwasher
 - Benefits of a Digital Library
 - Creating a Diverse Reading Collection Ge Appliance Repair Manual Dishwasher
10. Overcoming Reading Challenges
 - Dealing with Digital Eye Strain
 - Minimizing Distractions
 - Managing Screen Time
11. Cultivating a Reading Routine Ge Appliance Repair Manual Dishwasher
 - Setting Reading Goals Ge Appliance Repair Manual Dishwasher
 - Carving Out Dedicated Reading Time
12. Sourcing Reliable Information of Ge Appliance Repair Manual Dishwasher
 - Fact-Checking eBook Content of Ge Appliance Repair Manual Dishwasher
 - Distinguishing Credible Sources
13. Promoting Lifelong Learning
 - Utilizing eBooks for Skill Development
 - Exploring Educational eBooks
14. Embracing eBook Trends
 - Integration of Multimedia Elements

- Interactive and Gamified eBooks

Ge Appliance Repair Manual Dishwasher Introduction

Free PDF Books and Manuals for Download: Unlocking Knowledge at Your Fingertips In today's fast-paced digital age, obtaining valuable knowledge has become easier than ever. Thanks to the internet, a vast array of books and manuals are now available for free download in PDF format. Whether you are a student, professional, or simply an avid reader, this treasure trove of downloadable resources offers a wealth of information, conveniently accessible anytime, anywhere. The advent of online libraries and platforms dedicated to sharing knowledge has revolutionized the way we consume information. No longer confined to physical libraries or bookstores, readers can now access an extensive collection of digital books and manuals with just a few clicks. These resources, available in PDF, Microsoft Word, and PowerPoint formats, cater to a wide range of interests, including literature, technology, science, history, and much more. One notable platform where you can explore and download free Ge Appliance Repair Manual Dishwasher PDF books and manuals is the internet's largest free library. Hosted online, this catalog compiles a vast assortment of documents, making it a veritable goldmine of knowledge. With its easy-to-use website interface and customizable PDF generator, this platform offers a user-friendly experience, allowing individuals to effortlessly navigate and access the information they seek. The availability of free PDF books and manuals on this platform demonstrates its commitment to democratizing education and empowering individuals with the tools needed to succeed in their chosen fields. It allows anyone, regardless of their background or financial limitations, to expand their horizons and gain insights from experts in various disciplines. One of the most significant advantages of downloading PDF books and manuals lies in their portability. Unlike physical copies, digital books can be stored and carried on a single device, such as a tablet or smartphone, saving valuable space and weight. This convenience makes it possible for readers to have their entire library at their fingertips, whether they are commuting, traveling, or simply enjoying a lazy afternoon at home. Additionally, digital files are easily searchable, enabling readers to locate specific information within seconds. With a few keystrokes, users can search for keywords, topics, or phrases, making research and finding relevant information a breeze. This efficiency saves time and effort, streamlining the learning process and allowing individuals to focus on extracting the information they need. Furthermore, the availability of free PDF books and manuals fosters a culture of continuous learning. By removing financial barriers, more people can access educational resources and pursue lifelong learning, contributing to personal growth and professional development. This democratization of knowledge promotes intellectual curiosity and empowers individuals to become lifelong learners, promoting progress and innovation in various fields. It is worth noting that while accessing free Ge Appliance Repair Manual Dishwasher PDF books and manuals is convenient and cost-effective, it is vital to respect copyright laws and intellectual property rights. Platforms offering free

downloads often operate within legal boundaries, ensuring that the materials they provide are either in the public domain or authorized for distribution. By adhering to copyright laws, users can enjoy the benefits of free access to knowledge while supporting the authors and publishers who make these resources available. In conclusion, the availability of Ge Appliance Repair Manual Dishwasher free PDF books and manuals for download has revolutionized the way we access and consume knowledge. With just a few clicks, individuals can explore a vast collection of resources across different disciplines, all free of charge. This accessibility empowers individuals to become lifelong learners, contributing to personal growth, professional development, and the advancement of society as a whole. So why not unlock a world of knowledge today? Start exploring the vast sea of free PDF books and manuals waiting to be discovered right at your fingertips.

FAQs About Ge Appliance Repair Manual Dishwasher Books

How do I know which eBook platform is the best for me? Finding the best eBook platform depends on your reading preferences and device compatibility. Research different platforms, read user reviews, and explore their features before making a choice. Are free eBooks of good quality? Yes, many reputable platforms offer high-quality free eBooks, including classics and public domain works. However, make sure to verify the source to ensure the eBook credibility. Can I read eBooks without an eReader? Absolutely! Most eBook platforms offer webbased readers or mobile apps that allow you to read eBooks on your computer, tablet, or smartphone. How do I avoid digital eye strain while reading eBooks? To prevent digital eye strain, take regular breaks, adjust the font size and background color, and ensure proper lighting while reading eBooks. What the advantage of interactive eBooks? Interactive eBooks incorporate multimedia elements, quizzes, and activities, enhancing the reader engagement and providing a more immersive learning experience. Ge Appliance Repair Manual Dishwasher is one of the best book in our library for free trial. We provide copy of Ge Appliance Repair Manual Dishwasher in digital format, so the resources that you find are reliable. There are also many Ebooks of related with Ge Appliance Repair Manual Dishwasher. Where to download Ge Appliance Repair Manual Dishwasher online for free? Are you looking for Ge Appliance Repair Manual Dishwasher PDF? This is definitely going to save you time and cash in something you should think about. If you trying to find then search around for online. Without a doubt there are numerous these available and many of them have the freedom. However without doubt you receive whatever you purchase. An alternate way to get ideas is always to check another Ge Appliance Repair Manual Dishwasher. This method for see exactly what may be included and adopt these ideas to your book. This site will almost certainly help you save time and effort, money and stress. If you are looking for free books then you really should consider finding to assist you try this. Several of Ge Appliance Repair Manual Dishwasher are for sale to free while some are payable. If you arent sure if the books you would like to download works with for usage

along with your computer, it is possible to download free trials. The free guides make it easy for someone to free access online library for download books to your device. You can get free download on free trial for lots of books categories. Our library is the biggest of these that have literally hundreds of thousands of different products categories represented. You will also see that there are specific sites catered to different product types or categories, brands or niches related with Ge Appliance Repair Manual Dishwasher. So depending on what exactly you are searching, you will be able to choose e books to suit your own need. Need to access completely for Campbell Biology Seventh Edition book? Access Ebook without any digging. And by having access to our ebook online or by storing it on your computer, you have convenient answers with Ge Appliance Repair Manual Dishwasher To get started finding Ge Appliance Repair Manual Dishwasher, you are right to find our website which has a comprehensive collection of books online. Our library is the biggest of these that have literally hundreds of thousands of different products represented. You will also see that there are specific sites catered to different categories or niches related with Ge Appliance Repair Manual Dishwasher So depending on what exactly you are searching, you will be able to choose ebook to suit your own need. Thank you for reading Ge Appliance Repair Manual Dishwasher. Maybe you have knowledge that, people have search numerous times for their favorite readings like this Ge Appliance Repair Manual Dishwasher, but end up in harmful downloads. Rather than reading a good book with a cup of coffee in the afternoon, instead they juggled with some harmful bugs inside their laptop. Ge Appliance Repair Manual Dishwasher is available in our book collection an online access to it is set as public so you can download it instantly. Our digital library spans in multiple locations, allowing you to get the most less latency time to download any of our books like this one. Merely said, Ge Appliance Repair Manual Dishwasher is universally compatible with any devices to read.

Find Ge Appliance Repair Manual Dishwasher :

guide of electrical design engineer

~~guide questionnaire rating scale~~

guide replace vectra c steering rack

~~guide to good food ws answers~~

guide ing harmonicas

~~guide to microsoft excel~~

~~guide to markets mr khit wong~~

guide to dslr lenses

~~guide to state payroll laws~~

~~guide paranoids pocket~~

guide to project management body of knowledge
guide mastercam xmill

guide mankiew macroeconomics

guide michelin washington

guide the odyssey part 1 answer key

Ge Appliance Repair Manual Dishwasher :

astronomy the evolving universe zeilik michael amazon ca - Oct 04 2022

web dec 7 2022 overview view 7 editions details reviews lists related books last edited by marc bot december 7 2022 history
edit an edition of astronomy the evolving

astronomy the evolving universe zeilik michael free - Aug 14 2023

web astronomy the evolving universe by zeilik michael publication date 1994 topics astronomy sterrenkunde astronomie
astronomie vulgarisation exercices

astronomy the evolving universe edition 9 by michael zeilik - Dec 06 2022

web buy astronomy the evolving universe 6th edition by zeilik michael isbn 9780471538561 from amazon s book store
everyday low prices and free delivery on

astronomy the evolving universe 1985 edition open library - May 31 2022

web this highly illustrated textbook for a one semester introduction to astronomy describes the full range of the astronomical
universe and how astronomers think about the cosmos

astronomy the evolving universe zeilik michael - Apr 10 2023

web jan 26 1988 this new edition of the classic astronomy text contains new information on the voyager 2 mission to uranus
halley s comet superclusters and voids and the

astronomy the evolving universe by michael zeilik alibris - Apr 29 2022

web buy a cheap copy of astronomy the evolving universe 8th book by michael zeilik this book explores the entire realm of
astrophysical research including historical

astronomy the evolving universe amazon co uk zeilik michael - Nov 05 2022

web astronomy the evolving universe zeilik michael 9780521800907 books amazon ca

astronomy the evolving universe zeilik michael free - Jun 12 2023

web jan 16 2021 astronomy the evolving universe astronomy the evolving universe by zeilik michael publication date 2002
topics astronomy publisher cambridge uk

[astronomy the evolving universe michael zeilik](#) - Jan 27 2022

web astronomy the evolving universe by michael zeilik 1988 wiley edition in english 5th ed

[astronomy the evolving universe by michael zeilik open library](#) - Dec 26 2021

web oct 18 2020 astronomy the evolving universe by michael zeilik 1991 wiley edition in english 6th ed

[astronomy the evolving universe zeilik michael](#) - Sep 22 2021

[astronomy the evolving universe by michael zeilik open library](#) - Sep 03 2022

web thoroughly updated and re conceived astronomy the evolving universe ninth edition equips the introductory astronomy student with the essential tools for understanding the

astronomy the evolving universe by michael zeilik goodreads - Feb 08 2023

web designed to provide readers with an enriched sense of the astronomical world this edition continues to explain how astronomers think about the cosmos and describes the full

astronomy the evolving universe michael zeilik google books - Jan 07 2023

web jan 28 2002 thoroughly updated and re conceived astronomy ninth edition equips the introductory astronomy student with the essential tools for understanding the cosmos

[astronomy the evolving universe by michael zeilik open library](#) - Jul 01 2022

web astronomy the evolving universe by michael zeilik 1985 harper row edition in english 4th ed it looks like you re offline donate Čeština cs deutsch de english

[astronomy the evolving universe zeilik michael free](#) - May 11 2023

web astronomy the evolving universe by zeilik michael publication date 1979 topics astronomy astronomie publisher new york harper and row collection inlibrary

astronomy the evolving universe michael zeilik - Jul 13 2023

web jan 14 2002 thoroughly updated and re conceived astronomy ninth edition equips the introductory astronomy student with the essential tools for understanding the cosmos

[astronomy the evolving universe 9th ed michael](#) - Mar 09 2023

web this new edition of the classic astronomy text contains new information on the voyager 2 mission to uranus halley s comet superclusters and voids and the inflationary

astronomy the evolving universe amazon co uk zeilik michael - Aug 02 2022

web apr 16 2010 astronomy the evolving universe by michael zeilik 1976 harper row edition in english

[astronomy the evolving universe 8th book by michael zeilik](#) - Mar 29 2022

web jan 14 2002 thoroughly updated and re conceived astronomy the evolving universe ninth edition equips the introductory astronomy student with the essential tools for

astronomy the evolving universe 1991 edition open library - Nov 24 2021

web astronomy the evolving universe bookreader item preview remove circle share or embed this item share to twitter share to facebook share to reddit share to

astronomy the evolving universe zeilik michael free - Oct 24 2021

web mar 19 1991 buy astronomy the evolving universe on amazon com free shipping on qualified orders

astronomy the evolving universe by zeilik michael amazon ae - Feb 25 2022

web astronomy the evolving universe michael zeilik surgical anatomy the embryologic and anatomic basis of modern surgery lee john skandalakis tha halgan godspel on

sample application letter for primary school admission - Nov 06 2022

web here we have some sample application letter for primary school admission which may help you to get an admission for your child how to write an application letter for school the letter should be decent professional and simple and point to matter write the name and address of the school and also write your name and address

sample school acceptance letter 11 parent statement tips for - Jul 02 2022

web be safe to sign press date the letter properly as will be shown below in a sample sample here is an official yet cordial school acceptance letter sampling from a distinguished residential kindergartens it notifies an parents that

how to write school applications letter indeed com - Dec 27 2021

web mar 10 2023 here are the main types of school application letters junior school application letter this is written mostly by the parent or guardian seeking admission to an elementary school for young learners high school application letter this is drafted by high school learners applying to be considered for admission to a high school

elementary school acceptance letter template an easy guide - Aug 15 2023

web jun 21 2023 learn how to create an elementary school acceptance letter template to inform parents and students of their admission to the school using our guide you ll be able to personalize your letter and provide all necessary information *a good acceptance letter for admission from student* - Apr 11 2023

web a good acceptance letter for admission from student acceptance letters to schools guide letter example grammar checker 8000 letter samples

how to write an admissions acceptance letter with example - Jan 08 2023

web jun 20 2023 example of an admissions acceptance letter here is an example admissions letter catelyn morales austin texas dear catelyn i m excited to announce that you earned a position in the whitewater college class of 2024 congratulations

on your hard work and dedication

sample school acceptance letter proof of enrollment - Oct 05 2022

web the bulk formal middle acceptance letter format should contain rough three heading where you will give your congratulations for the student s acceptance present the necessary view for enrollment while well as communication details in housing there are any questions both close with adenine nice expression by thanks by the application

school acceptance letter free letters - Jun 13 2023

web apr 16 2014 sample school acceptance letter from mrs sheryl ann george hemming school 44 waterworks streets vertex fd5444 to mr peters kerr 5646 axis square ronald lane vertex fd5444 date 16 april 2014 subject school acceptance letter dear mr kerr

primary school admission letter all business templates - Apr 30 2022

web primary school admission letter sample dear sir madam we are pleased to inform you that due to your good academic performance you have been admitted to high school to further your studies

school acceptance letter and its sample template creator - Aug 03 2022

web nov 4 2020 letter november 4 2020 0 in the position on the student selection committee of a private school you are often responsible for correspondence with students and parents like sending letters in order to inform them of their own acceptance into the school in this case you will need to write a school acceptance letter

sample elementary school admission letter sample letters - Dec 07 2022

web dec 20 2011 77 bakers street london to ms cruz euro kids elementary school london dear ms cruz i mrs richards am writing this letter as an application for the admission of my daughter sarah in your elementary school my daughter has completed 2 years last month and i wish to start her education life with your esteemed school

an example of an acceptance letter for school from student - May 12 2023

web an example of an acceptance letter for school from student guidelines receive the acceptance letter with good graces confirm any necessary details for the enrollment and such express thanks again sample letter senders name address line state zip code letter date recipients name address line state zip code

elementary school admission letter letters home - Sep 04 2022

web aug 30 2011 super kids elementary school london dear ms jane i mrs cruz am writing this letter as an application for the admission of my daughter tiara in your elementary school tiara has completed 2 years of age in the last month and i wish that she gets started with her education life

sample school acceptance letter 27 admission letter - Mar 10 2023

web here is the official yet affable school acceptance letter sample from adenine distinguished private kindergarten it notifies

the parents ensure yours child has been accepted into their program it gives a nice printouts a credit both greetings the well as letting the parents know the next step to take

school acceptance letter acceptance letters livecareer - Mar 30 2022

web tia petersen city state zip code home 000 000 0000 cell 000 000 0000 email email com dear dr watson i am writing to accept your offer to enroll in the undergraduate biology program and attend your university in the fall

sample school acceptance letter great sample resume - Jul 14 2023

web sample here is an official yet cordial school acceptance letter sample from a distinguished private kindergarten it notifies the parents that their child has been accepted into their program it gives a nice expression of thanks and congratulations as well as letting the parents know the next step to take

acceptance letter sample springfield college - Jan 28 2022

web thank you letter sample acceptance letter sample letter of decline sample dear mr peterson i am pleased to accept your offer of an appointment as a physical education teacher in your school system at an annual salary of 33 000

sample school acceptance letter 4 amazing recommendation letter - Jun 01 2022

web the almost formal school acceptance letter format should contain approximately three clauses wherein you will offer your congratulations on the student s accept give the necessary click for enrollment as well since contact details inches case are are any questions and close using a nice expression of thanks for the application

sample school acceptance letter study permits letters of acceptance - Feb 26 2022

web can sure until sign and date the letter properly while will be shown below in a sampling sample here is an official still cordial school accept letter sample from a distinguished private kindergarten it notifies the folks ensure their child has been accepted in its start

21 acceptance letter samples template formats free - Feb 09 2023

web sample 1 dear first name you have recently applied to university name and we are pleased to inform you that your application has been accepted congratulations you have worked hard and achieved a great milestone we would like to congratulate you on your success and offer our sincerest thanks for considering our school

a wrinkle in time a puffin book paperback 30 jan 2018 - Apr 30 2023

web disney takes the classic sci fi adventure a wrinkle in time to the silver screen with an all star cast that includes oprah winfrey reese witherspoon mindy kaling chris pine and newcomer storm reid the major motion picture brings the world of wrinkle to life for a new generation of fans

a wrinkle in time madeleine l engle a puffin book - Mar 30 2023

web jul 3 2014 when charles and meg murry go searching through a wrinkle in time for their lost father they find

themselves on an evil planet where all life is enslaved by a huge pulsating brain known as it

[a wrinkle in time a puffin book paperback 2018 price](#) - Mar 18 2022

web a wrinkle in time a puffin book paperback 2018 lowest prices on pricerunner compare prices from 6 stores find the cheapest prices on this a wrinkle in time a puffin book paperback 2018 on pricerunner

a wrinkle in time madeleine l engle google books - Sep 23 2022

web jan 29 2018 about the author 2018 author madeleine l engle was born in new york city on november 29 1918 she graduated from smith college she is best known for a wrinkle in time 1962 which won the

[a wrinkle in time penguin books uk](#) - May 20 2022

web summary rebel voices disruptive stories from trailblazing women a new puffin classics collection celebrating international women s day 2023 to love is to be vulnerable and it is only in vulnerability and risk not safety and security that we overcome darkness

a wrinkle in time l engle madeleine amazon in books - Apr 18 2022

web oct 10 2023 when charles wallace murry goes searching through a wrinkle in time for his lost father he finds himself on an evil planet where all life is enslaved by a huge pulsating brain known as it read more

a wrinkle in time film a puffin book alpaca awamaki - Nov 25 2022

web a wrinkle in time film a puffin book downloaded from alpaca awamaki org by guest lauren best a wrinkle in time the graphic novel farrar straus and giroux byr

[a wrinkle in time a puffin book l engle madeleine](#) - Oct 05 2023

web a wrinkle in time is a classic sci fi adventure for children by bestselling us author madeleine l engle and is now major new motion picture from disney films when charles wallace murry goes searching through a wrinkle in time for his lost father he finds himself on an evil planet where all life is enslaved by a huge pulsating brain known as

a wrinkle in time madeleine l engle a puffin book abebooks - Jan 28 2023

web when charles wallace murry goes searching through a wrinkle in time for his lost father he finds himself on an evil planet where all life is enslaved by a huge pulsating brain known as it

a wrinkle in time a puffin book by madeleine l engle booktopia - Jul 22 2022

web jan 30 2018 product details madeleine l engle s ground breaking science fiction and fantasy classic soon to be a major motion picture when charles wallace murry goes searching through a wrinkle in time for his lost father he finds himself on an evil planet where all life is enslaved by a huge pulsating brain known as it

a wrinkle in time a puffin book paperback l engle madeleine - Aug 03 2023

web this movie tie in edition of the timeless novel features the complete unabridged original text and an introduction by the

film s director ava duvernay read more previous page

a wrinkle in time a puffin book by madeleine l engle booktopia - Jun 20 2022

web oct 22 2014 a wrinkle in time is a classic sci fi adventure for children by bestselling us author madeleine l engle when charles wallace murry goes searching through a wrinkle in time for his lost father he finds himself on an evil planet where all life is enslaved by a huge pulsating brain known as it

a wrinkle in time time quintet amazon com - Oct 25 2022

web may 1 2007 madeleine l engle 1918 2007 was the newbery medal winning author of more than 60 books including the much loved a wrinkle in time born in 1918 l engle grew up in new york city switzerland south carolina and massachusetts
sinopsis a wrinkle in time petualangan gadis cilik ke dimensi - Feb 14 2022

web jan 19 2021 jakarta kompas com a wrinkle in time merupakan film fantasi petualangan yang diadaptasi dari novel berjudul sama karya madeleine l engle film yang dirilis pada 2018 ini dibintangi sejumlah selebriti ternama mulai dari oprah winfrey reese witherspoon mindy kaling levi miller storm reid dan chris pine cerita film a

a wrinkle in time wikipedia - Jul 02 2023

web a wrinkle in time is a young adult science fantasy novel written by american author madeleine l engle first published in 1962 2 the book won the newbery medal the sequoyah book award the lewis carroll shelf award and was runner up for the hans christian andersen award

a wrinkle in time a puffin book rajat book corner - Aug 23 2022

web a wrinkle in time is a classic sci fi adventure for children by bestselling us author madeleine l engle and is now major new motion picture from disney films when charles wallace murry goes searching through a wrinkle in time for his lost father he finds himself on an evil planet where all life is enslaved by a huge pulsating brain

a wrinkle in time a puffin book l engle madeleine - Dec 27 2022

web book description paperback condition new paperback meg always felt she was different and when her little brother charles murry go searching for their lost father they find themselves travelling on a dangerous journey through a wrinkle in time

a wrinkle in time film a puffin book pdf mail thekingiscoming - Sep 04 2023

web a wrinkle in time monstrous affections a wrinkle in time a guide to the universe a wrinkle in time movie tie in edition searching for terry punchout a wrinkle in time the graphic novel madeleine l engle herself many waters meet the austins a ring of endless light a wind in the door becoming madeleine a biography of the author of a wrinkle

amazon in customer reviews wrinkle in time - Feb 26 2023

web find helpful customer reviews and review ratings for wrinkle in time at amazon com read honest and unbiased product

reviews from our users

a wrinkle in time a puffin book □□□□□□□□ □□□□□□ - Jun 01 2023

web a wrinkle in time a puffin book buy online at best price in ksa souq is now amazon sa l engle madeleine books