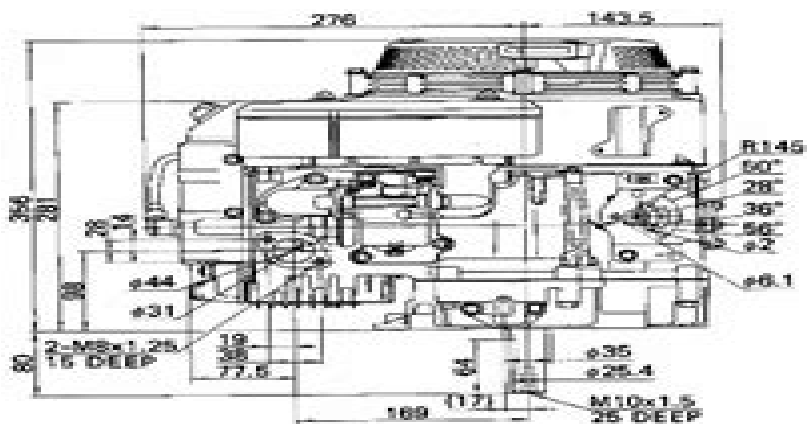
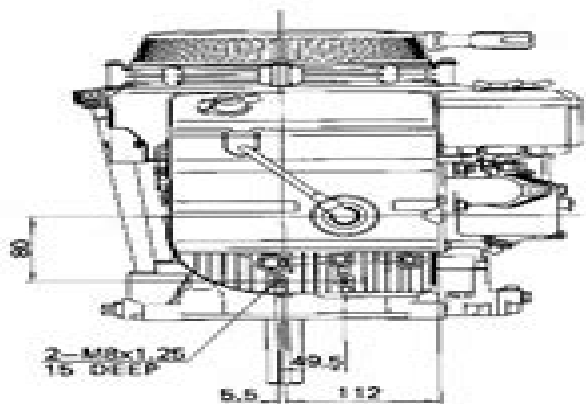
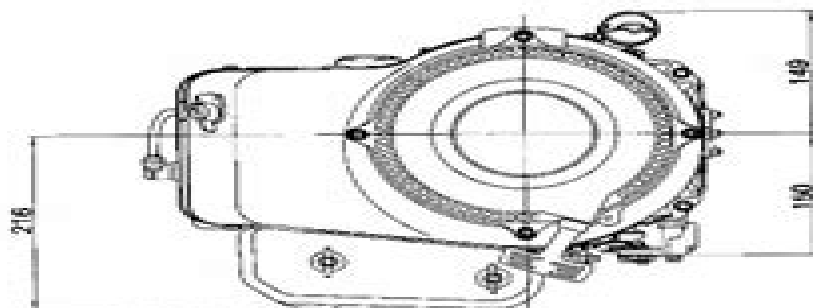
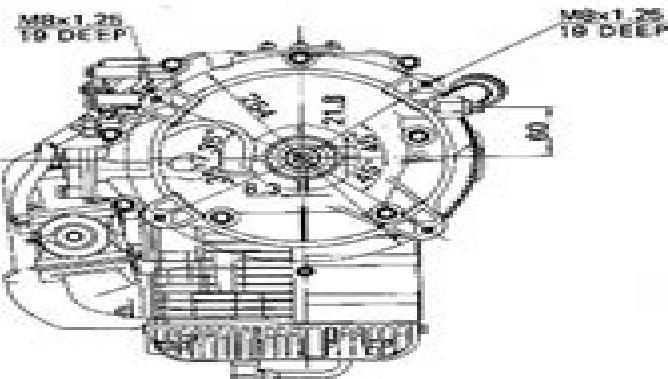
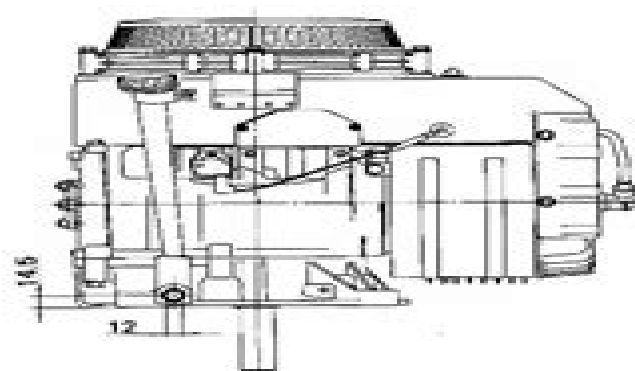
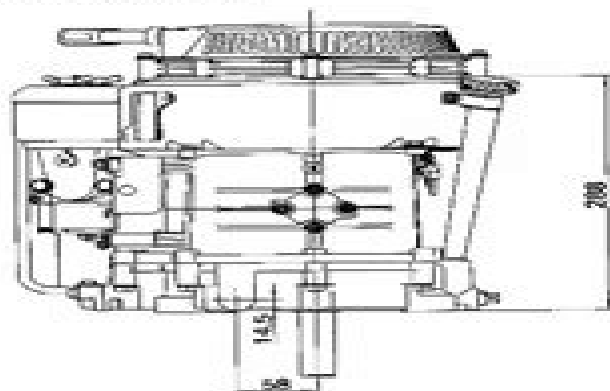


1-5 GENERAL INFORMATION

DIMENSIONAL SPECIFICATIONS

(Recoil Starter Model)



Kawasaki Fb460v Engine Manual

JE Gale



Kawasaki Fb460v Engine Manual:

Kawasaki 750 Fours Owners Workshop Manual Pete Shoemark,1986 **Kawasaki 750 Air-cooled Fours Owners Workshop Manual** Pete Shoemark,1989 **Kawasaki ER-6f and ER-6n Service and Repair Manual** Phil Mather,2010
Kawasaki ZX600 (GPZ600R, GPX600R, Ninja 600R and RX) ZX 750 (GPX750R, Ninja 750R) 1985 to 1997 John Haynes,1998-02-05 Haynes offers the best coverage for cars trucks vans SUVs and motorcycles on the market today Each manual contains easy to follow step by step instructions linked to hundreds of photographs and illustrations Included in every manual troubleshooting section to help identify specific problems tips that give valuable short cuts to make the job easier and eliminate the need for special tools notes cautions and warnings for the home mechanic color spark plug diagnosis and an easy to use index [Kawasaki Service Manual](#) Kawasaki Heavy Industries, Ltd.,1971 *Kawasaki 400, 500 & 550 Fours Owners Workshop Manual* Jeremy Churchill,1986 **Kawasaki Z750 & Z1000, '03-'08** Haynes Publishing,2018-05-01
Each Haynes manual provides specific and detailed instructions for performing everything from basic maintenance and troubleshooting to a complete overhaul of the machine in this case the Kawasaki Z750 troubleshooting lubrication and routine maintenance engine top end engine lower end primary drive clutch and external shift mechanism transmission and internal shift mechanism engine management system electrical system wheels tires and drivebelt front suspension and steering rear suspension brakes body and color wiring diagrams An index makes the manual easy to navigate **Kawasaki ZX900, 1000 and 1100 Liquid-Cooled Fours Service and Repair Manual** John Haynes,1999-11-13 Haynes offers the best coverage for cars trucks vans SUVs and motorcycles on the market today Each manual contains easy to follow step by step instructions linked to hundreds of photographs and illustrations Included in every manual troubleshooting section to help identify specific problems tips that give valuable short cuts to make the job easier and eliminate the need for special tools notes cautions and warnings for the home mechanic color spark plug diagnosis and an easy to use index **Kawasaki Vulcan 800 & Classic 95-05** Penton Staff,2000-05-24 VN800A 1995 2005 VN800B 1996 2005 *Kawasaki 750 Fours Owners Workshop Manual, 1980 to 1982* Pete Shoemark,1983

As recognized, adventure as competently as experience very nearly lesson, amusement, as skillfully as conformity can be gotten by just checking out a books **Kawasaki Fb460v Engine Manual** as well as it is not directly done, you could understand even more going on for this life, as regards the world.

We offer you this proper as without difficulty as easy pretension to get those all. We have the funds for Kawasaki Fb460v Engine Manual and numerous books collections from fictions to scientific research in any way. in the course of them is this Kawasaki Fb460v Engine Manual that can be your partner.

https://staging.conocer.cide.edu/results/Resources/fetch.php/Mag_Mv1018_128mb_Mp3_Players_Owners_Manual.pdf

Table of Contents Kawasaki Fb460v Engine Manual

1. Understanding the eBook Kawasaki Fb460v Engine Manual
 - The Rise of Digital Reading Kawasaki Fb460v Engine Manual
 - Advantages of eBooks Over Traditional Books
2. Identifying Kawasaki Fb460v Engine Manual
 - Exploring Different Genres
 - Considering Fiction vs. Non-Fiction
 - Determining Your Reading Goals
3. Choosing the Right eBook Platform
 - Popular eBook Platforms
 - Features to Look for in an Kawasaki Fb460v Engine Manual
 - User-Friendly Interface
4. Exploring eBook Recommendations from Kawasaki Fb460v Engine Manual
 - Personalized Recommendations
 - Kawasaki Fb460v Engine Manual User Reviews and Ratings
 - Kawasaki Fb460v Engine Manual and Bestseller Lists
5. Accessing Kawasaki Fb460v Engine Manual Free and Paid eBooks

- Kawasaki Fb460v Engine Manual Public Domain eBooks
 - Kawasaki Fb460v Engine Manual eBook Subscription Services
 - Kawasaki Fb460v Engine Manual Budget-Friendly Options
6. Navigating Kawasaki Fb460v Engine Manual eBook Formats
 - ePub, PDF, MOBI, and More
 - Kawasaki Fb460v Engine Manual Compatibility with Devices
 - Kawasaki Fb460v Engine Manual Enhanced eBook Features
 7. Enhancing Your Reading Experience
 - Adjustable Fonts and Text Sizes of Kawasaki Fb460v Engine Manual
 - Highlighting and Note-Taking Kawasaki Fb460v Engine Manual
 - Interactive Elements Kawasaki Fb460v Engine Manual
 8. Staying Engaged with Kawasaki Fb460v Engine Manual
 - Joining Online Reading Communities
 - Participating in Virtual Book Clubs
 - Following Authors and Publishers Kawasaki Fb460v Engine Manual
 9. Balancing eBooks and Physical Books Kawasaki Fb460v Engine Manual
 - Benefits of a Digital Library
 - Creating a Diverse Reading Collection Kawasaki Fb460v Engine Manual
 10. Overcoming Reading Challenges
 - Dealing with Digital Eye Strain
 - Minimizing Distractions
 - Managing Screen Time
 11. Cultivating a Reading Routine Kawasaki Fb460v Engine Manual
 - Setting Reading Goals Kawasaki Fb460v Engine Manual
 - Carving Out Dedicated Reading Time
 12. Sourcing Reliable Information of Kawasaki Fb460v Engine Manual
 - Fact-Checking eBook Content of Kawasaki Fb460v Engine Manual
 - Distinguishing Credible Sources
 13. Promoting Lifelong Learning
 - Utilizing eBooks for Skill Development

- Exploring Educational eBooks
14. Embracing eBook Trends
- Integration of Multimedia Elements
 - Interactive and Gamified eBooks

Kawasaki Fb460v Engine Manual Introduction

In this digital age, the convenience of accessing information at our fingertips has become a necessity. Whether its research papers, eBooks, or user manuals, PDF files have become the preferred format for sharing and reading documents. However, the cost associated with purchasing PDF files can sometimes be a barrier for many individuals and organizations. Thankfully, there are numerous websites and platforms that allow users to download free PDF files legally. In this article, we will explore some of the best platforms to download free PDFs. One of the most popular platforms to download free PDF files is Project Gutenberg. This online library offers over 60,000 free eBooks that are in the public domain. From classic literature to historical documents, Project Gutenberg provides a wide range of PDF files that can be downloaded and enjoyed on various devices. The website is user-friendly and allows users to search for specific titles or browse through different categories. Another reliable platform for downloading Kawasaki Fb460v Engine Manual free PDF files is Open Library. With its vast collection of over 1 million eBooks, Open Library has something for every reader. The website offers a seamless experience by providing options to borrow or download PDF files. Users simply need to create a free account to access this treasure trove of knowledge. Open Library also allows users to contribute by uploading and sharing their own PDF files, making it a collaborative platform for book enthusiasts. For those interested in academic resources, there are websites dedicated to providing free PDFs of research papers and scientific articles. One such website is Academia.edu, which allows researchers and scholars to share their work with a global audience. Users can download PDF files of research papers, theses, and dissertations covering a wide range of subjects. Academia.edu also provides a platform for discussions and networking within the academic community. When it comes to downloading Kawasaki Fb460v Engine Manual free PDF files of magazines, brochures, and catalogs, Issuu is a popular choice. This digital publishing platform hosts a vast collection of publications from around the world. Users can search for specific titles or explore various categories and genres. Issuu offers a seamless reading experience with its user-friendly interface and allows users to download PDF files for offline reading. Apart from dedicated platforms, search engines also play a crucial role in finding free PDF files. Google, for instance, has an advanced search feature that allows users to filter results by file type. By specifying the file type as "PDF," users can find websites that offer free PDF downloads on a specific topic. While downloading Kawasaki Fb460v Engine Manual free PDF files is convenient, its important to note that copyright laws must be respected. Always ensure that the PDF files you download are

legally available for free. Many authors and publishers voluntarily provide free PDF versions of their work, but its essential to be cautious and verify the authenticity of the source before downloading Kawasaki Fb460v Engine Manual. In conclusion, the internet offers numerous platforms and websites that allow users to download free PDF files legally. Whether its classic literature, research papers, or magazines, there is something for everyone. The platforms mentioned in this article, such as Project Gutenberg, Open Library, Academia.edu, and Issuu, provide access to a vast collection of PDF files. However, users should always be cautious and verify the legality of the source before downloading Kawasaki Fb460v Engine Manual any PDF files. With these platforms, the world of PDF downloads is just a click away.

FAQs About Kawasaki Fb460v Engine Manual Books

What is a Kawasaki Fb460v Engine Manual PDF? A PDF (Portable Document Format) is a file format developed by Adobe that preserves the layout and formatting of a document, regardless of the software, hardware, or operating system used to view or print it. **How do I create a Kawasaki Fb460v Engine Manual PDF?** There are several ways to create a PDF: Use software like Adobe Acrobat, Microsoft Word, or Google Docs, which often have built-in PDF creation tools. Print to PDF: Many applications and operating systems have a "Print to PDF" option that allows you to save a document as a PDF file instead of printing it on paper. Online converters: There are various online tools that can convert different file types to PDF. **How do I edit a Kawasaki Fb460v Engine Manual PDF?** Editing a PDF can be done with software like Adobe Acrobat, which allows direct editing of text, images, and other elements within the PDF. Some free tools, like PDFescape or Smallpdf, also offer basic editing capabilities. **How do I convert a Kawasaki Fb460v Engine Manual PDF to another file format?** There are multiple ways to convert a PDF to another format: Use online converters like Smallpdf, Zamzar, or Adobe Acrobats export feature to convert PDFs to formats like Word, Excel, JPEG, etc. Software like Adobe Acrobat, Microsoft Word, or other PDF editors may have options to export or save PDFs in different formats. **How do I password-protect a Kawasaki Fb460v Engine Manual PDF?** Most PDF editing software allows you to add password protection. In Adobe Acrobat, for instance, you can go to "File" -> "Properties" -> "Security" to set a password to restrict access or editing capabilities. Are there any free alternatives to Adobe Acrobat for working with PDFs? Yes, there are many free alternatives for working with PDFs, such as: LibreOffice: Offers PDF editing features. PDFsam: Allows splitting, merging, and editing PDFs. Foxit Reader: Provides basic PDF viewing and editing capabilities. How do I compress a PDF file? You can use online tools like Smallpdf, ILovePDF, or desktop software like Adobe Acrobat to compress PDF files without significant quality loss. Compression reduces the file size, making it easier to share and download. Can I fill out forms in a PDF file? Yes, most PDF viewers/editors like Adobe Acrobat, Preview (on Mac), or various online tools allow you to fill out forms in PDF files by selecting text fields and entering

information. Are there any restrictions when working with PDFs? Some PDFs might have restrictions set by their creator, such as password protection, editing restrictions, or print restrictions. Breaking these restrictions might require specific software or tools, which may or may not be legal depending on the circumstances and local laws.

Find Kawasaki Fb460v Engine Manual :

[mag mv1018 128mb mp3 players owners manual](#)

[macroeconomics arnold 10th edition](#)

[macroeconomics mcconnell 18th edition](#)

[mader ap biology 11th edition](#)

[mackie dl1608 user manual](#)

[mackie sdr 96 owners manual](#)

[macmillan mcgraw hill science common core](#)

magellan maestro 5310 user manual

[magic bullets savoy](#)

macintosh audacity manual

[magellan 4370 user guide](#)

[mafikeng university prospectus](#)

magic power of witchcraft

mackie pa121 speaker systems owners manual

[magic chef appliance repair](#)

Kawasaki Fb460v Engine Manual :

[civic education scheme of work for 2014 pdf lfe - Jun 30 2023](#)

web civic education scheme of work for 2014 omb no edited by braiden hurley education for diversity and mutual understanding routledge citizenship democracy and human rights have always been central to higher education and increasing globalization has amplified their urgency and complexity

civic education scheme of work for 2014 - Feb 24 2023

web handbook of civic engagement and education richard desjardins 2022 12 08 underscoring the complex relationship between civic engagement and education at all stages of life this innovative handbook identifies the contemporary challenges

and best approaches and practices to encourage civic engagement within education

civic education scheme of work for 2014 pdf - Sep 02 2023

web civic education scheme of work for 2014 1 civic education scheme of work for 2014 values education for citizens in the new century education for diversity and mutual understanding religion and belief literacy resources in education a practical guide to teaching citizenship in the secondary school holocaust education 25 years on

civic education scheme of work for 2014 pdf ftp bonide - Jan 26 2023

web schools curriculum and civic education for building democratic citizens civic education scheme of work for 2014 downloaded from ftp bonide com by guest ramirez myla the morality of democratic citizenship council of europe this book explores four interrelated themes rethinking civic education in light of the diversity of u s society re

civic scheme of work for neco 2014 pantera adecco - Apr 16 2022

web 4 civic scheme of work for neco 2014 2022 08 13 that grounds civic education historically and politically civic education in the asia pacific region digicat civic affairshigh points in the work of the high schools of new york citybulletin of high points in the work of the high schools of new york citythe builderunexpected joy at dawnsub

civic education scheme of work for 2014 alpaca awamaki - Oct 23 2022

web civic education for diverse citizens in global times world class curriculum public school literature civic education and the politics of male adolescence bending the future to their will citizenship education and global migration learning together in the early years citizenship for the 21st century civic education

civic education scheme of work for 2014 ai classmonitor - Oct 03 2023

web civic education scheme of work for 2014 1 civic education scheme of work for 2014 the relation of religious education to civic education active citizenship in schools local citizenship in the global arena the future of teaching citizenship for the 21st century international and comparative education the citizenship co ordinator s

civic education scheme of work for 2014 pdf - Aug 01 2023

web merely said the civic education scheme of work for 2014 is universally compatible like any devices to read civic education scheme of work for 2014 downloaded from ftp themontcalmclub com by guest sofia pitts

civic education scheme of work for 2014 trainwithpst - Dec 25 2022

web civic education scheme of work for 2014 1 omb no 5359127464392 civic education scheme of work for 2014 religion and belief literacy diversity and citizenship education life and moral education in greater china a broad and balanced curriculum in primary schools the future of teaching education for diversity and mutual understanding

scheme of work for civic 2014 video paydayhcm - Aug 21 2022

web scheme of work for civic 2014 1 omb no 2023 civics likely questions and solutions l5 det schemes of work 2021 civic

education past paper questions and answers class action lawsuit against the mormon church 2023 uscis official civics test questions answers u s citizenship one easy answer

2014 2015 ss3 civic education scheme of work 2023 - Jun 18 2022

web 2014 2015 ss3 civic education scheme of work adopting the tune of expression an emotional symphony within 2014 2015 ss3 civic education scheme of work in a global consumed by monitors and the ceaseless chatter of instant interaction the melodic beauty and psychological symphony created by the

civic education scheme of work for 2014 elmarie costandius - Mar 28 2023

web comprehending as capably as accord even more than other will provide each success neighboring to the proclamation as capably as insight of this civic education scheme of work for 2014 can be taken as with ease as picked to act engaging higher education curricula elmarie costandius 2015 06 30 the authors aim to stimulate discussion

civic education scheme of work for jss 1 1st term 2nd - Feb 12 2022

web the scheme of work for civic education in junior secondary school one jss 1 from first term to third term is the same irrespective of whether the school is a public or private secondary school as this brings about uniformity in the educational sector in nigeria recommended fggc ezzamgbo school fees for new students 2023 2024 academic

s s 3 scheme of work for 2014 2015 session blogger - Jul 20 2022

web about us s s 3 scheme of work for 2014 2015 session economics first term commerce first term revision of ss1 and ss2 work literature in english first term 1 poetry upon an honest man s fortune background setting subject matter summary themes structure language and style

scheme of work for civic 2014 pdf store spiralny - May 30 2023

web out of class activities and civic education bulletin of the united states bureau of labor statistics the builder the athenaeum decolonising curriculum knowledge housing bulletin work in progress riba journal civics as applied sociology scheme of work for civic 2014 downloaded from store spiralny com by guest hicks raymond civic affairs

civic education scheme of work for ss1 ss2 ss3 all term - May 18 2022

web apr 23 2020 1 civic education scheme of work ss1 third term 2 civic education scheme of work for ss2 second term 3 ss3 civic education scheme of work second term 4 civic education scheme of work for senior secondary school 5 download free civic edu scheme of work 6 how to download civic edu scheme of work for ss 1 3

scheme of work for civic 2014 download only textra com - Sep 21 2022

web bulletin of high points in the work of the high schools of new york city civics as applied sociology a e g journal scheme of work for civic 2014 downloaded from textra com tw by guest london olson lend a hand aust bureau of statistics this book examines the approach to civic education in six societies located on the pacific

[civic education curriculum for primary 4 schemeofwork com](#) - Mar 16 2022

web evaluation guide state the meaning of governance and the characteristics of good governance identify solutions to bad governance week 2 topic types of government performance objectives explain types of government differentiate between the various types of government e g traditional and constitutional contents

ebook civic education scheme of work for 2014 - Apr 28 2023

web civic education scheme of work for 2014 a scheme of work for teaching english at key stage 1 2 may 27 2021 primary scheme of work for religious education may 07 2022

civic education scheme of work for 2014 thebookee net - Nov 23 2022

web civic education scheme of work for 2014 list of ebooks and manuels about civic education scheme of work for 2014

lupin 2 kısımdaki en dikkat Çekici 10 detay filmloverss - Jan 27 2022

web jun 15 2021 İlk kısmın yayınlanmasının ardından derlediğimiz 10 maddelik ilk listeye ise buradan ulaşabilirsiniz lupin 2 kısımdaki en dikkat Çekici 10 detay 1 kısmın bıraktığı yerden başlıyor lupin in ilk beş bölümü ile bu hafta yayınlanan beş bölümü 1 kısım

813 tome 2 la double vie d arsène lupin by maurice leblanc - Feb 08 2023

web jun 13 2023 omeisha arsne lupin tome 1 813 la double vie bdfugue arsene lupin 2 813 la double vie tome 2 cartonn geron maurice leblanc librarything 813 tome 2 la double vie d arsène lupin by maurice leblanc is available in our publication

[813 tome 2 la double vie d arsa ne lupin pdf copy](#) - Sep 03 2022

web of 813 tome 2 la double vie d arsa ne lupin pdf a charming literary treasure pulsating with organic thoughts lies an extraordinary journey waiting to be undertaken composed by a skilled wordsmith this charming opus attracts visitors on an

arsã ne lupin 813 abebooks - Mar 09 2023

web 813 la double vie d arsã ne lupin nouvelle ã dition ã l occasion de la sã rie netflix french language poche by leblanc maurice and a great selection of related books art and collectibles available now at abebooks com

[813 tome 2 la double vie d arsa ne lupin copy lemonade aedc1](#) - Aug 02 2022

web d arsène lupin certainement l un des héros littéraire français parmi les plus populaires cette nouvelle édition collector trois livres en un regroupe les tomes 4 5 et 6 écrits par maurice leblanc entre 1916 et 1919 vous trouverez dans ce volume 2 collector tome

813 tome 2 la double vie d arsa ne lupin thomas francis - Apr 29 2022

web right here we have countless book 813 tome 2 la double vie d arsa ne lupin and collections to check out we additionally offer variant types and furthermore type of the books to browse

arsène lupin 813 tome 1 la double vie d arsène lupin fnac - Jul 01 2022

web tome 1 la double vie d arsène lupin maurice leblanc bb rose verte des milliers de livres avec la livraison chez vous en 1 jour ou en magasin avec 5 de réduction arsène lupin 813

813 tome 2 la double vie d arsène lupin by maurice leblanc - Oct 04 2022

web march 23rd 2020 813 la double vie d arsène lupin les trois crimes d arsène lupin les confidences d arsène lupin 656 pages 135 x 195 mm cartonné aventures extraordinaires d arsène lupin gentleman

813 arsène lupin wikipédia - Jun 12 2023

contrairement aux volumes précédents des histoires d arsène lupin qui étaient parus en feuilleton dans je sais tout il est publié dans le quotidien le journal un des plus importants de l époque du 5 mars au 24 mai 1910 les éditions lafitte ont sorti dès le mois de juin 1910 dans un épais volume de 500 pages un texte largement tronqué y manquent notamment l arrestation de lupin par lenormand l idylle entre

813 la double vie d arsène lupin maurice leblanc archipoche - Jul 13 2023

web 813 est un roman qui regroupe la double vie d arsène lupin et les trois crimes d arsène lupin mais que s est il passé cette nuit là au palace hôtel rudolf kesselbach dit le roi du diamant banquier allemand multimillionnaire a été retrouvé assassiné

813 tome 2 la double vie d arsène lupin by maurice leblanc - Sep 22 2021

web notably funds merely said the 813 tome 2 la double vie d arsène lupin by maurice leblanc is widely congruent with any devices to download victor tome 2 tavazsearch aventures extraordinaires d arsene lupin gentleman 813 tome 2 la double vie d arsene lupin

813 tome 2 la double vie d arsène lupin amazon fr - Aug 14 2023

web tout d abord 813 se compose en deux livres la double vie d arsène lupin puis sa suite les trois crimes d arsène lupin lisez dans ce sens Étonnamment dans l intitulé d amazon c est écrit tome 2 non il s agit du tome 1 de 813 attention donc

813 tome 1 la double vie d arsène lupin babelio - May 11 2023

web feb 19 1997 813 est un roman qui regroupe la double vie d arsène lupin et les trois crimes d arsène lupin mais que s est il passé cette nuit là au palace hôtel rudolf kesselbach dit le roi du diamant banquier allemand multimillionnaire a été retrouvé

813 tome 2 la double vie d arsène lupin by maurice leblanc - Feb 25 2022

web arsne lupin 1 813 la double vie bdphile achat 813 arsene lupin pas cher ou d occasion rakuten read je t ai rv pdf rezikobalbino arsne lupin soleil 1 813 la double vie bdphile maurice leblanc librarything 813 1 la double vie d arsne lupin 2 les trois

813 tome 2 la double vie d arsa ne lupin pdf pdf - Oct 24 2021

web 813 tome 2 la double vie d arsa ne lupin pdf when somebody should go to the ebook stores search initiation by shop shelf

by shelf it is really problematic this is why we provide the books compilations in this website it will categorically ease you to see guide

813 la double vie d arsène lupin by maurice leblanc goodreads - Apr 10 2023

web 813 la double vie d arsène lupin book read 42 reviews from the world s largest community for readers quelle mystérieuse entreprise amène à paris rudo

813 tome 2 la double vie d arsa ne lupin 2022 rc spectrallabs - Dec 06 2022

web oxydations et combustions tome 2 813 1 la double vie d arsène lupin 2 les trois crimes d arsène lupin édition intégrale revue et mise à jour discours prononcé à l audience de rentrée du tribunal de première instance de la seine le 3 novembre 1841

813 tome 2 la double vie d arsa ne lupin ftp bonide - Mar 29 2022

web oxydations et combustions tome 2 813 tome 2 la double vie d arsa ne lupin downloaded from ftp bonide com by guest houston reed bulletin crc press deuxième volume du précis sur les droits réels cet ouvrage est destiné à la fois aux étudiantes et

813 tome 2 la double vie d arsa ne lupin pdf philip freeman - Jan 07 2023

web may 25 2023 chosen novels like this 813 tome 2 la double vie d arsa ne lupin pdf but end up in malicious downloads rather than enjoying a good book with a cup of coffee in the afternoon instead they are facing with some malicious bugs inside their computer

813 tome 2 la double vie d arsa ne lupin pdf book - Nov 05 2022

web jun 20 2023 813 tome 2 la double vie d arsa ne lupin pdf philip 4 web may 25 2023 arsène lupin with his characteristic wit plots over the course of nine short stories to steal many of france s best antiques and artworks from under their owners noses only his

813 la double vie d arsène lupin maurice leblanc archipoche - Dec 26 2021

web 813 est un roman qui regroupe la double vie d arsène lupin et les trois crimes d arsène lupin mais que s est il passé cette nuit là au palace hôtel rudolf kesselbach dit le roi du diamant banquier allemand multimillionnaire a été retrouvé assassiné

813 tome 2 la double vie d arsa ne lupin pdf ftp bonide - Nov 24 2021

web 813 1 la double vie d arsène lupin 2 les trois crimes d arsène lupin édition intégrale revue et mise à jour revue de théologie et de philosophie guide to chronic pain syndromes headache and facial pain

813 tome 2 la double vie d arsa ne lupin download only - May 31 2022

web 813 1 la double vie d arsène lupin 2 les trois crimes d arsène lupin édition intégrale revue et mise à jour revue de théologie et de philosophie et compte rendu des principales publications scientifiques

rheumatologie aus der praxis entzündliche gelenke - Dec 19 2021

web praxis der konservativen orthopädie zs ein verlag der edel verlagsgruppe dass sich der verlauf rheumatischer erkrankungen durch die ernährung positiv beeinflussen lässt ist

rheumatologie entzündliche gelenk und wirbelsaule copy - May 24 2022

web rheumatologie a rheuma lernen mit der krankheit gut zu leben rheumatologie entzündliche gelenk und wirbelsaule downloaded from dev rideicon com by guest

rheumatologie entzündliche gelenk und wirbelsaule pdf - Jun 24 2022

web oct 30 2023 rheumatologie aus der praxis rheumatologie entzündliche gelenk und wirbelsaule omb no 6852774063419 edited by yu becker pflegeheute springer

rheumatologie entzündliche gelenk und wirbelsaule 2022 - Nov 29 2022

web kaptan paşa kaptan paşa mah piyale paşa bulv okmeydanı cd no 4 34384 Şişli İstanbul Şişli bullet harita memorial Şişli hastanesi

rheumatologie entzündliche gelenk und wirbelsaule - Sep 27 2022

web gelenke zusätzliche schnittebenen stellenwert und dokumentation der sonographie zahlreiche neue abbildungen tips tricks und fallgruben das lehrbuch vermittelt

rheumatologie entzündliche gelenk und wirbelsaule - Nov 17 2021

İstanbul romatoid artrit tedavisi doktorları doktortakvimi - Feb 01 2023

web 2 rheumatologie aus der praxis entzündliche gelenke 2022 11 12 gekiirzten form noeh beriieksiehtigt doeh korreliert der aufbau der kapitel nieht in allen einzelheiten mit

rheumatologie entzündliche gelenk und wirbelsaule - Jul 26 2022

web chronisch rheumatische erkrankungen des kindesalters morphologie rheumatischer erkrankungen gefässprozesse bei rheumatischen erkrankungen therapie

tureng rheumatism türkçe İngilizce sözlük - Feb 18 2022

web romatizmal bir hastalık veya bozukluktan kaynaklanan ağrılara verilen ad technical 5 teknik rheumatic s romatizma ile ilgili medical 6 medikal

rheumatologie aus der praxis entzündliche - Oct 09 2023

web jan 1 2017 die rheumatoide arthritis ra synonym chronische polyarthritis ist die bekannteste entzündliche gelenkerkrankung etwa 0 5 1 der bevölkerung sind

19 best clinics for rheumatology in turkey 2023 prices - Mar 02 2023

web küçükbakkalköy mahallesi sarı lale sokak liberty plaza no 1 4 kat 3 giriş arka tarafta ataşehir İstanbul İstanbul bullet harita dr serdar Özkaya muayenehanesi

İstanbul rektum kanseri tedavisi doktorları - Oct 29 2022

web chronisch rheumatische erkrankungen des kindesalters morphologie rheumatischer erkrankungen gefäßprozesse bei rheumatischen erkrankungen therapie

rheumatologie aus der praxis entzündliche gelenke - Jun 05 2023

web rheumatologie aus der praxis entzündliche gelenke this is likewise one of the factors by obtaining the soft documents of this rheumatologie aus der praxis entzündliche

rheumatologie aus der praxis entzündliche gelenke - Aug 07 2023

web angehenden facharzt und dem kinder rheumatologen umfassende antworten auf alle fragen der entstehung diagnostik und therapie von rheumatologischen krankheiten

rheumatologie aus der praxis entzündliche gelenke - Dec 31 2022

web rheumatologen behandelt werden in der täglichen praxis müssen sich auch allgemeinmediziner internisten sowie Ärzte anderer fachrichtungen mit

rheumatologie aus der praxis entzündliche gelenke - May 04 2023

web rheumatologie aus der praxis entzündliche gelenke arthritis heilen may 03 2023 rheumatische erkrankungen gehören zu den am weitesten verbreiteten krankheiten so

rheumatologie entzündliche gelenk und wirbelsaule - Apr 22 2022

web ihnen steht die funktion der gelenke im vordergrund der therapie neben der medikamentösen therapie sind die physio und ergotherapie die wichtigsten

rheumatologie entzündliche gelenk und wirbelsaule pdf - Mar 22 2022

web pain and rheumatism i ağrı ve romatizma 5 medikal joint rheumatism i eklem romatizması 6 medikal non inflammatory soft tissue rheumatism disease i

rheumatologie aus der praxis entzündliche gelenke pdf - Aug 27 2022

web die rheumatologie mit all ihren randgebieten auf dem letzten stand des wissens zu präsentieren und gleichzeitig für die tätigkeit am krankbett eine praxisbezogene hilfe

rheumatologie aus der praxis springer - Sep 08 2023

web apr 3 2021 2 rheumatologie aus der praxis entzündliche gelenke 2021 04 03 eingegangen gefolgt von einem teil über diagnostik und krankheitsbilder und einem

rheumatologie entzündliche gelenk und wirbelsaule pdf - Jul 06 2023

web rheumatologie aus der praxis entzündliche gelenke verhandlungen der deutschen gesellschaft für rheumatologie pocket atlas of rheumatology entzündliche

tureng rheumatic türkçe İngilizce sözlük - Jan 20 2022

web if you ally craving such a referred rheumatologie aus der praxis entzündliche gelenke books that will present you worth get the enormously best seller from us currently from

rheumatologie aus der praxis entzündliche gelenke download - Apr 03 2023

web sep 21 2020 rheumatology positive international medical group ankara located in balgat ankara turkey offers patients rheumatoid arthritis treatment procedures