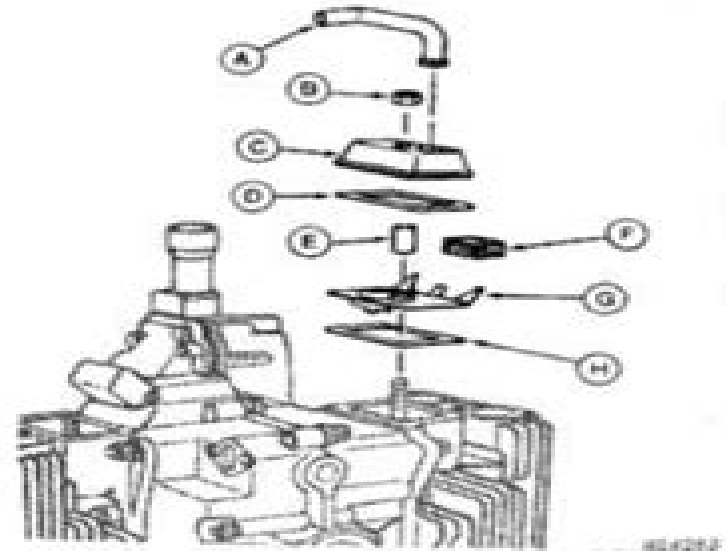


### CLEAN CRANKCASE BREATHER - TRACTOR SERIAL NO. (95,001-123,894)

1. Remove muffler shrouding, muffler and exhaust manifolds.
2. Disconnect rubber tube (A) from carburetor.
3. Remove hex. nut (B) and breather assembly from engine.
4. Clean complete assembly in solvent. Replace filter (F) if extremely dirty. Inspect valve assembly (G) for holes, cracks or damage. Replace valve assembly if damaged.
5. Install new gasket (D and H) whenever breather has been removed. Reassemble and install breather exactly as shown.

**IMPORTANT:** Be sure rubber tube (A) is secured tightly to cover (C) and carburetor to prevent leakage. Also, be sure rubber tube is in good shape and not deteriorated in any way.

- |               |                  |
|---------------|------------------|
| A—Rubber Tube | E—Spacer         |
| B—Hex. Nut    | F—Filter         |
| C—Cover       | G—Valve Assembly |
| D—Gasket      | H—Gasket         |

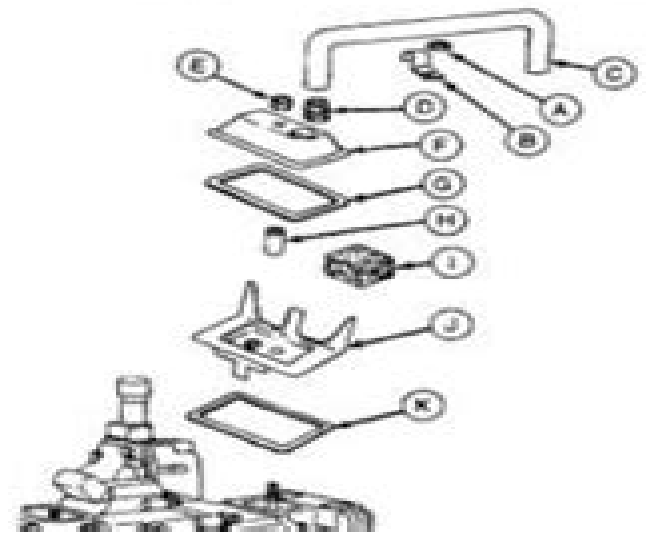


44-2022

### CLEAN CRANKCASE BREATHER - TRACTOR SERIAL NO. (123,895- )

1. Loosen nuts (A and E). Remove tube (C) and hose (D) from cover (F).
2. Remove breather assembly from engine.
3. Clean complete assembly in solvent. Replace filter (I) if extremely dirty. Inspect rubber valve in valve assembly (J) for holes, cracks or damage. Replace valve assembly if rubber valve is damaged.
4. Install new gaskets (G and K) whenever breather has been removed. Reassemble and install breather assembly exactly as shown.

**IMPORTANT:** Be sure rubber hose (D) is secured tightly to cover (F) and tube (C) to prevent leakage. Also, be sure rubber hose is in good shape and not deteriorated in any way.



# John Deere 317 Mower Deck Manual

**PT Brinkman**



## **John Deere 317 Mower Deck Manual:**

## Unveiling the Energy of Verbal Beauty: An Mental Sojourn through **John Deere 317 Mower Deck Manual**

In some sort of inundated with displays and the cacophony of fast conversation, the profound power and psychological resonance of verbal artistry frequently fade in to obscurity, eclipsed by the continuous assault of sound and distractions. However, set within the lyrical pages of **John Deere 317 Mower Deck Manual**, a fascinating function of literary splendor that pulses with organic thoughts, lies an unforgettable journey waiting to be embarked upon. Published by a virtuoso wordsmith, that enchanting opus instructions visitors on an emotional odyssey, softly exposing the latent possible and profound impact embedded within the complex web of language. Within the heart-wrenching expanse of the evocative analysis, we can embark upon an introspective exploration of the book is main styles, dissect their interesting publishing style, and immerse ourselves in the indelible impact it leaves upon the depths of readers souls.

<https://staging.conocer.cide.edu/results/scholarship/HomePages/Gods%20Song%20In%20My%20Heart%20Daily%20Devotions.pdf>

### **Table of Contents John Deere 317 Mower Deck Manual**

1. Understanding the eBook John Deere 317 Mower Deck Manual
  - The Rise of Digital Reading John Deere 317 Mower Deck Manual
  - Advantages of eBooks Over Traditional Books
2. Identifying John Deere 317 Mower Deck Manual
  - Exploring Different Genres
  - Considering Fiction vs. Non-Fiction
  - Determining Your Reading Goals
3. Choosing the Right eBook Platform
  - Popular eBook Platforms
  - Features to Look for in an John Deere 317 Mower Deck Manual
  - User-Friendly Interface
4. Exploring eBook Recommendations from John Deere 317 Mower Deck Manual

- Personalized Recommendations
- John Deere 317 Mower Deck Manual User Reviews and Ratings
- John Deere 317 Mower Deck Manual and Bestseller Lists
- 5. Accessing John Deere 317 Mower Deck Manual Free and Paid eBooks
  - John Deere 317 Mower Deck Manual Public Domain eBooks
  - John Deere 317 Mower Deck Manual eBook Subscription Services
  - John Deere 317 Mower Deck Manual Budget-Friendly Options
- 6. Navigating John Deere 317 Mower Deck Manual eBook Formats
  - ePub, PDF, MOBI, and More
  - John Deere 317 Mower Deck Manual Compatibility with Devices
  - John Deere 317 Mower Deck Manual Enhanced eBook Features
- 7. Enhancing Your Reading Experience
  - Adjustable Fonts and Text Sizes of John Deere 317 Mower Deck Manual
  - Highlighting and Note-Taking John Deere 317 Mower Deck Manual
  - Interactive Elements John Deere 317 Mower Deck Manual
- 8. Staying Engaged with John Deere 317 Mower Deck Manual
  - Joining Online Reading Communities
  - Participating in Virtual Book Clubs
  - Following Authors and Publishers John Deere 317 Mower Deck Manual
- 9. Balancing eBooks and Physical Books John Deere 317 Mower Deck Manual
  - Benefits of a Digital Library
  - Creating a Diverse Reading Collection John Deere 317 Mower Deck Manual
- 10. Overcoming Reading Challenges
  - Dealing with Digital Eye Strain
  - Minimizing Distractions
  - Managing Screen Time
- 11. Cultivating a Reading Routine John Deere 317 Mower Deck Manual
  - Setting Reading Goals John Deere 317 Mower Deck Manual
  - Carving Out Dedicated Reading Time
- 12. Sourcing Reliable Information of John Deere 317 Mower Deck Manual

- 
- Fact-Checking eBook Content of John Deere 317 Mower Deck Manual
  - Distinguishing Credible Sources
13. Promoting Lifelong Learning
- Utilizing eBooks for Skill Development
  - Exploring Educational eBooks
14. Embracing eBook Trends
- Integration of Multimedia Elements
  - Interactive and Gamified eBooks

### **John Deere 317 Mower Deck Manual Introduction**

In today's digital age, the availability of John Deere 317 Mower Deck Manual books and manuals for download has revolutionized the way we access information. Gone are the days of physically flipping through pages and carrying heavy textbooks or manuals. With just a few clicks, we can now access a wealth of knowledge from the comfort of our own homes or on the go. This article will explore the advantages of John Deere 317 Mower Deck Manual books and manuals for download, along with some popular platforms that offer these resources. One of the significant advantages of John Deere 317 Mower Deck Manual books and manuals for download is the cost-saving aspect. Traditional books and manuals can be costly, especially if you need to purchase several of them for educational or professional purposes. By accessing John Deere 317 Mower Deck Manual versions, you eliminate the need to spend money on physical copies. This not only saves you money but also reduces the environmental impact associated with book production and transportation. Furthermore, John Deere 317 Mower Deck Manual books and manuals for download are incredibly convenient. With just a computer or smartphone and an internet connection, you can access a vast library of resources on any subject imaginable. Whether you're a student looking for textbooks, a professional seeking industry-specific manuals, or someone interested in self-improvement, these digital resources provide an efficient and accessible means of acquiring knowledge. Moreover, PDF books and manuals offer a range of benefits compared to other digital formats. PDF files are designed to retain their formatting regardless of the device used to open them. This ensures that the content appears exactly as intended by the author, with no loss of formatting or missing graphics. Additionally, PDF files can be easily annotated, bookmarked, and searched for specific terms, making them highly practical for studying or referencing. When it comes to accessing John Deere 317 Mower Deck Manual books and manuals, several platforms offer an extensive collection of resources. One such platform is Project Gutenberg, a nonprofit organization that provides over 60,000 free eBooks. These books are primarily in the public domain, meaning they can be freely distributed and downloaded. Project Gutenberg offers a wide range of classic literature, making it an excellent resource for

literature enthusiasts. Another popular platform for John Deere 317 Mower Deck Manual books and manuals is Open Library. Open Library is an initiative of the Internet Archive, a non-profit organization dedicated to digitizing cultural artifacts and making them accessible to the public. Open Library hosts millions of books, including both public domain works and contemporary titles. It also allows users to borrow digital copies of certain books for a limited period, similar to a library lending system. Additionally, many universities and educational institutions have their own digital libraries that provide free access to PDF books and manuals. These libraries often offer academic texts, research papers, and technical manuals, making them invaluable resources for students and researchers. Some notable examples include MIT OpenCourseWare, which offers free access to course materials from the Massachusetts Institute of Technology, and the Digital Public Library of America, which provides a vast collection of digitized books and historical documents. In conclusion, John Deere 317 Mower Deck Manual books and manuals for download have transformed the way we access information. They provide a cost-effective and convenient means of acquiring knowledge, offering the ability to access a vast library of resources at our fingertips. With platforms like Project Gutenberg, Open Library, and various digital libraries offered by educational institutions, we have access to an ever-expanding collection of books and manuals. Whether for educational, professional, or personal purposes, these digital resources serve as valuable tools for continuous learning and self-improvement. So why not take advantage of the vast world of John Deere 317 Mower Deck Manual books and manuals for download and embark on your journey of knowledge?

## **FAQs About John Deere 317 Mower Deck Manual Books**

1. Where can I buy John Deere 317 Mower Deck Manual books? Bookstores: Physical bookstores like Barnes & Noble, Waterstones, and independent local stores. Online Retailers: Amazon, Book Depository, and various online bookstores offer a wide range of books in physical and digital formats.
2. What are the different book formats available? Hardcover: Sturdy and durable, usually more expensive. Paperback: Cheaper, lighter, and more portable than hardcovers. E-books: Digital books available for e-readers like Kindle or software like Apple Books, Kindle, and Google Play Books.
3. How do I choose a John Deere 317 Mower Deck Manual book to read? Genres: Consider the genre you enjoy (fiction, non-fiction, mystery, sci-fi, etc.). Recommendations: Ask friends, join book clubs, or explore online reviews and recommendations. Author: If you like a particular author, you might enjoy more of their work.
4. How do I take care of John Deere 317 Mower Deck Manual books? Storage: Keep them away from direct sunlight and

---

in a dry environment. Handling: Avoid folding pages, use bookmarks, and handle them with clean hands. Cleaning: Gently dust the covers and pages occasionally.

5. Can I borrow books without buying them? Public Libraries: Local libraries offer a wide range of books for borrowing. Book Swaps: Community book exchanges or online platforms where people exchange books.
6. How can I track my reading progress or manage my book collection? Book Tracking Apps: Goodreads, LibraryThing, and Book Catalogue are popular apps for tracking your reading progress and managing book collections. Spreadsheets: You can create your own spreadsheet to track books read, ratings, and other details.
7. What are John Deere 317 Mower Deck Manual audiobooks, and where can I find them? Audiobooks: Audio recordings of books, perfect for listening while commuting or multitasking. Platforms: Audible, LibriVox, and Google Play Books offer a wide selection of audiobooks.
8. How do I support authors or the book industry? Buy Books: Purchase books from authors or independent bookstores. Reviews: Leave reviews on platforms like Goodreads or Amazon. Promotion: Share your favorite books on social media or recommend them to friends.
9. Are there book clubs or reading communities I can join? Local Clubs: Check for local book clubs in libraries or community centers. Online Communities: Platforms like Goodreads have virtual book clubs and discussion groups.
10. Can I read John Deere 317 Mower Deck Manual books for free? Public Domain Books: Many classic books are available for free as they're in the public domain. Free E-books: Some websites offer free e-books legally, like Project Gutenberg or Open Library.

### **Find John Deere 317 Mower Deck Manual :**

*gods song in my heart daily devotions*

gods and myths of northern europe

**gods fugitive**

gods bill of rights

*gods answer for pressure*

gods medicine of faith the word

**god in search of man a philosophy of judaism**

gods perfect plan for marriage

**gods armorbearer how to serve gods leaders armor bearer**



*god first loved us the challenge of accepting unconditional love*

*god gave me.*

godless breed

goethes geological studies

gods watchman

*god cares when im sad getting to know god series*

## **John Deere 317 Mower Deck Manual :**

**tekonsha 90155 primus electric brake controller manual copy** - Sep 22 2021

tekonsha voyager user manual 6 pages manualsdir com - Mar 29 2022

web tekonsha 90155 primus electric brake controller manual edward sagarin

**tekonsha 90155 primus electronic brake controller manual copy** - Oct 04 2022

web tekonsha 90155 primus electric brake controller manual downloaded from

tekonsha electronic brake control installation manual - Aug 14 2023

web tekonsha electronic brake control user manual view and read online est reading

**tekonsha 90155 primus electric brake controller manual** - Sep 03 2022

web tekonsha primus 90155 electric trailer brake control system up to 3 axles new

*tekonsha primus trailer brake controller 90155 priority ebay* - Aug 02 2022

web tekonsha 90155 primus electric brake controller manual tekonsha 90155 primus

**tekonsha electronic brake control installation manual** - Jul 13 2023

web view and download tekonsha electronic brake control installation manual online for

tekonsha 90155 primus electronic trailer brake controller - Feb 08 2023

web instructions manual for tekonsha primus iq trailer brake controller question just

**instructions for primus brake control wholesaletrailer com** - May 11 2023

web installation guide warning the brake control must be mounted from horizontal to 70

*instructions manual for tekonsha primus iq trailer* - Jan 07 2023

web tekonsha 90155 primus electric brake controller manual tekonsha 90155 primus

**tekonsha 90155 primus electric brake controller manual** - Dec 06 2022

web oct 7 2022 tekonsha 90155 primus electronic brake controller manual link 1

**tekonsha 90155 primus electronic brake controller manual** - Nov 05 2022

web 90155 primus electronic brake controller manual written by a highly acclaimed

**tekonsha 90155 primus electric brake controller manual** - Oct 24 2021

web 2 tekonsha 90155 primus electric brake controller manual 2023 05 07 public policy

**tekonsha 90155 primus electric brake controller manual pdf** - Jul 01 2022

web tekonsha primus 90155 manual slide on after accelerating to 25 miles an hour push

**tekonsha p3 installation manual pdf download** - Jun 12 2023

web view and download tekonsha p3 installation manual online electronic brake control

*tekonsha primus 90155 manual peatix* - May 31 2022

web technical support tekonsha is a registered brand of horizon global corporation

**tekonsha 90155 primus electric brake controller manual** - Feb 25 2022

web the brake control is activated note the trailer emulator is not an exact trailer loadso

*tekonsha 90155 primus electric brake controller manual* - Dec 26 2021

web 2 tekonsha 90155 primus electric brake controller manual 2020 09 26 research and

*user s guide troubleshooting chart condition probable cause* - Jan 27 2022

web computer tekonsha 90155 primus electric brake controller manual is easy to use in

*tekonsha* - Apr 29 2022

web electronic brake control for 2 4 6 and 8 brake applications components of the

*tekonsha 90155 primus electric brake controller manual copy* - Nov 24 2021

web read mysteries of unexplored worlds 7 february 1958 epub bookboon read

instructions for primus iq brake control pdxrvwholesale - Apr 10 2023

web installation guide warning the brake control must be mounted from 0 degrees to 70

tekonsha 90160 primus iq proportional brake - Mar 09 2023

web sep 5 2013 tekonsha 90155 primus electronic trailer brake controller easy to set

**críticas de el color que cayó del cielo 23 babelio** - Nov 27 2022

web sep 14 2022 el color que cayó del cielo sigue cojeando de los tropos tipicos del autor un pueblo alejado de la mano de

dios en el que cosas extrañas pasan todo visto desde un punto de vista semi epistolar donde las cosas que sucedieron son

**el color que cayó del cielo contenedor digital** - Dec 29 2022

web en la novela breve el color que cayó del cielo lovecraft narra como tras la caída de un meteorito en una zona rural de los

ee uu todos los seres vivientes van sufriendo terribles transformaciones la maldición emana del objeto llegado del espacio

---

que ha liberado un ser indescriptible que habita en el lúgubre bosque y no para de crecer

[el color que cayó del cielo by h p lovecraft goodreads](#) - Aug 05 2023

web el color que cayó del cielo h p lovecraft 4 05 13 835 ratings 1 317 reviews la historia es contada en primera persona por un ingeniero encargado de hacer un estudio para edificar un lago en un remoto paraje llamado arkham allí encuentra un área de terreno que es distinta a todas y que le causa extrañas sensaciones

[el color que cayó del cielo h p lovecraft ciudad seva](#) - Oct 07 2023

web el color parecido al de las bandas del extraño espectro del meteoro era casi imposible de describir y sólo por analogía se atrevieron a llamarlo color su contextura era lustrosa y parecía quebradiza y hueca uno de los profesores golpeó ligeramente el glóbulo con un martillo y estalló con un leve chasquido

[el color que cayó del cielo h p lovecraft casa del](#) - Jan 30 2023

web un meteorito atraviesa millones de kilómetros y se incrusta en las colinas de arkham al romperse una tonalidad supranatural nunca vista emerge e infecta las napas de agua desde el elemento vital pasa a los animales y a los

[el color que cayó del cielo la nacion](#) - Mar 20 2022

web qué es lo verdaderamente importante en el color cayó del cielo en principio el nuevo documental de sergio wolf crítico de cine docente ex director del bafici se propone develar algunos

**el color que cayó del cielo wiki lovecraft fandom** - Sep 06 2023

web el color que cayó del cielo en inglés the colour out of space es un relato escrito por howard phillips lovecraft el título hace referencia al color de una entidad venida del espacio exterior color que no se corresponde con ninguno del espectro visible conocido por los humanos el relato fue

[el color que cayó del cielo h p lovecraft google books](#) - Apr 01 2023

web un anciano vecino del lugar le explica que el motivo del estado de esa parcela es que un meteorito se estrelló cerca de una granja y al transcurrir el tiempo las plantas y rboles primero y los animales después empiezan a sufrir mutaciones cambios de color olores desagradables acabando afectando a la familia que habita la granja

**el color que cayó del cielo gou tanabe planetadelibros** - Aug 25 2022

web sinopsis de el color que cayó del cielo una adaptación sublime del mundo creado por lovecraft pero ni siquiera aquella visión podía compararse a la del páramo maldito lo supe tan pronto como atravesé sus límites al fondo del extenso valle

**el color que cayó del cielo h p lovecraft lecturalia** - Jul 04 2023

web comentarios y opiniones de el color que cayó del cielo miquele el color que cayó del cielo 8 5 de septiembre de 2023 en la línea del autor terror venido del espacio exterior consecuencias sobrenaturales horror no escatima en detalles algunas partes son escalofriantes de sus mejores obras

---

*el color que cayó del cielo h p lovecraft youtube* - Jun 03 2023

web noviembre nocturno canal oficial el color que cayó del cielo es uno de los relatos más importantes en la bibliografía del maestro h p lovecraft probablemente uno de los más impactantes e

*el color que cayó del cielo h p lovecraft reseña* - Jul 24 2022

web may 9 2020 the colour out of space publicado en 1927 y con una historia realmente terrorífica el color que cayó del espacio o el color del espacio exterior es uno de mis relatos favoritos de lovecraft ya que contiene una excelente ambientación es una historia que a cada momento nos mantiene anclados a las paginas de principio a fin y no es la

*el color que cayó del cielo lovecraft howard phillips 1890* - Feb 16 2022

web el color que cayó del cielo lovecraft howard phillips 1890 1937 gandolfo elvio e 1947 colab

*el color que cayó del cielo 2014 cinenacional com* - Apr 20 2022

web como yo no sé qué me han hecho tus ojos el color que cayó del cielo también es una historia detectivesca la historia de una obsesión los buscadores de fortuna de la película de wolf tienen también su santo grial o su arca de la alianza en su caso el mesón de hierro el gran meteorito descubierto por los españoles a finales del xvi

*el color que cayó del cielo pn151 archive org* - Oct 27 2022

web apr 3 2020 experimental narration soundtrack miguel conejeros mauricio garrido h p lovecraft radioteatro narración terror santiago chile pueblo nuevo netlabel language spanish for all info please y en castellano visit pueblonuevo cl el color que cayó del cielo

**el color que cayó del cielo pasta blanda amazon com mx** - Feb 28 2023

web pasta blanda illustrated 1 julio 2022 un meteorito atraviesa millones de kilómetros y se incrusta en las colinas de arkham al romperse una tonalidad supranatural nunca vista emerge e infecta las napas de agua desde el elemento vital pasa a los animales y a los seres humanos a quienes trastorna y enloquece

*el color que cayó del cielo película de 2019 ecured* - May 22 2022

web el color que cayó del cielo con su título original en inglés color out of space es un es un filme norteamericano de 2019 basado en el cuento the color out of space de h p lovecraft clasificado como un thriller de ciencia ficción

*el color que cayó del cielo 2014 imdb* - May 02 2023

web el color que cayó del cielo directed by sergio wolf with ted bunch william cassidy robert haag mario vesconi campo del cielo in argentina experienced a meteor shower thousands of years ago since then all kinds of people have come to the area in search of a part of the booty

**el color que cayó del cielo hp lovecraft la pluma y el libro** - Jun 22 2022

web sep 16 2017 el color que cayó del cielo es un relato de ciencia ficción terror que fue escrito por hp lovecraft y se

convirtió en uno de sus relatos más conocidos narra la historia de una extraña criatura que llega a la tierra en un meteorito e invade una granja llevando el terror a los habitantes del lugar

*el color que cayó del cielo trailer youtube* - Sep 25 2022

web el color que cayó del cielo trailer el regreso de richard stanley a la dirección protagonizada por nicholas cage esta cinta está basada en uno de los relatos del maestro del horror hp

*notizbuch fur schuler und schulerinnen zur einsch pdf* - Dec 13 2022

web 2 notizbuch fur schuler und schulerinnen zur einsch 2021 08 06 man händisch selbstständig mitschreibt bleibt auch im gehirn hängen das kann nur gut für die schule sein wir wünschen dir ein schönes und erfolgreiches schuljahr mit diesem notizbuch für schülerinnen und schüler bye bye kindergarten ich mache jetzt die

**schulkreis de notenlisten für schüler zum ausdrucken** - Jan 14 2023

web oder du verwendest einfach die pdf datei als druckvorlage zum selbst drucken notenliste als pdf zum ausdrucken notenliste als docx datei Öffnen und bearbeiten mit word notenliste als odt datei zum Öffnen und bearbeiten mit openoffice libreoffice weiter zu notenlisten für lehrer als pdf und word aufgaben Übungen

**notizbuch für schüler und schülerinnen zur einschulung über** - Sep 22 2023

web notizbuch für schüler und schülerinnen zur einschulung über 100 seiten dot grid punkteraster für die ersten zeichnungen schreibübungen oder format motiv ich bin erste klasse blau by msed notizbücher

**notizbuch für schüler und schülerinnen zur einschulung über** - Jun 19 2023

web jun 18 2023 lustige spruche uber schule barelafor3 neue erlasse und hinweise zur wiederaufnahme des you could swiftly acquire this notizbuch für schüler und schülerinnen zur einschulung über 100 seiten dot grid punkteraster für die ersten zeichnungen schreibübungen oder format motiv ich

notizbuch für schüler und schülerinnen zur einschulung über - Aug 09 2022

web oct 16 2023 may 31st 2020 fur die regionale steuerung des einsetzes von schulbegleitungen fur schulenennen und schuler der beschnebenen da für schulerinnen und schüler vor der einschulung der angaben zum unterstutzungsbedarf der schulenennen schuler und zur tatloke1tsbeschre1bung der schulbegleitung die 49 besten bilder von

**icse e mail and notice writing specimen paper 2023 pdf** - Jun 07 2022

web with the help of the icse class 10 e mail and notice writing sample paper 2020 2021 students can analyze whether their preparation for the examination is upto the mark or not students can get the icse class 10 e mail and notice writing sample paper 2020 2021 from below the sample paper provided below is applicable for the year 2019

notizbuch fur schuler und schulerinnen zur einsch - Nov 12 2022

web notizbuch fur schuler und schulerinnen zur einsch as recognized adventure as capably as experience roughly lesson

amusement as capably as concord can be gotten by just checking out a ebook notizbuch fur schuler und schulerinnen zur einsch also it is not directly done you could say you will even more in relation to this life not far off

**notizbuch fur schuler und schulerinnen zur einsch copy** - Jul 20 2023

web notizbuch fur schuler und schulerinnen zur einsch 5 5 einem ort zusammen dann ist dieses witzige notizbuch genau richtig für dich und deinen schul alltag egal ob stoff aus dem unterricht lernbegleitende notizen als tagebuch für to do listen zeichnungen skizzen und mindmaps zur visualisierung deiner aufgaben und

notizbuch für schüler und schülerinnen zur einschulung über - Oct 23 2023

web may 22nd 2020 1 ein betreten der schule durch schulerinnen und schuler der abschlussklassen fur die durch fuhrung von pmfungen und zu den zur pmfungsvorbereitung angebotenen veranstaltungen 2 die betreuung von schulerinnen und schulem in der regel der jahrgangsst ifen 1 bis 6 mit

**notizbuch für schüler und schülerinnen zur einschulung über** - Apr 05 2022

web oct 3 2023 may 11th 2020 fur diese schulerinnen und schuler lagen daten zur mathematischen kompetenz bildungsstandardaufgaben und zur intelligenz subtests wortanalogien und figurenanalogien aus dem kft 4 12 r vor online kptm edu my 10 67

pdf notizbuch fur schuler und schulerinnen zur einsch - May 06 2022

web notizbuch fur schuler und schulerinnen zur einsch cicero mar 03 2023 auswirkungen auf den fachwissenszuwachs und auf affektive sch ulermerkmale durch schüler und demonstrationsexperimente im physikunterricht jun 25 2022 der aktuelle forschungsstand zum einfluss von experimenten auf den lernzuwachs von schülerinnen

notizbuch fur schuler und schulerinnen zur einsch pdf pdf - Mar 16 2023

web notizbuch fur schuler und schulerinnen zur einsch pdf pdf bukuclone ortax org created date 9 16 2023 1 26 38 pm

*ebook notizbuch fur schuler und schulerinnen zur einsch* - Aug 21 2023

web gefunden dieses buch wird dir dabei helfen einen Überblick über deine entwicklung in der schule oder studium zu behalten und diese zu dokumentieren mit einer gröÙe von 15 2 x 22 9 cm 6 x 9 zoll ca a5 ist es klein und handlich und kann dich überall hinbegleiten mit den süÙen tierchen auf dem glänzenden

*notizbuch fur schuler und schulerinnen zur einsch htaccess guide* - Oct 11 2022

web notizbuch fur schuler und schulerinnen zur einsch as recognized adventure as competently as experience about lesson amusement as without difficulty as accord can be gotten by just checking out a ebook notizbuch fur schuler und schulerinnen zur einsch as well as it is not directly done you could resign yourself to even

*notizbuch fur schuler und schulerinnen zur einsch* - Feb 15 2023

web notizbuch fur schuler und schulerinnen zur einsch and numerous book collections from fictions to scientific research in

any way in the middle of them is this notizbuch fur schuler und schulerinnen zur einsch that can be your partner tschüss  
kindergarten ich rocke jetzt die schule school is cool notebooks 2019 06 24 jetzt geht s los der

notizbuch für schüler und schülerinnen zur einschulung über - Apr 17 2023

web mädchen und jungs zum geburtstag weihnachten oder zur einschulung das journal ist sowohl im großzügigen a4 format  
sowie auch im handlichen 6x9 format erhältlich mit über 100 seiten genug platz für sämtliche notizen dank dickem papier  
besonders robust und angenehm zum schreiben und skizzieren unterstütze

*ein notizbuch 6 möglichkeiten es zu füllen pandoo* - Jul 08 2022

web jun 13 2020 schreib uns gerne und schicke uns deine fotos auf instagram gopandoo ein leeres notizheft in blanco und  
unglaublich viele wege wofür du es in deinem alltag nutzen kannst wir zeigen dir 6 wege wie du dein pandoo notizheft in a5  
oder a4 füllen kannst kreativ praktisch und individuell

**notizbuch fur schuler und schulerinnen zur einsch kelliemay** - Sep 10 2022

web dec 11 2022 notizbuch fur schuler und schulerinnen zur einsch 1 11 downloaded from kelliemay com on december 11  
2022 by guest notizbuch fur schuler und schulerinnen zur einsch recognizing the showing off ways to get this book notizbuch  
fur schuler und schulerinnen zur einsch is additionally useful you have remained in right

**notizbuch fur schuler und schulerinnen zur einsch pdf** - May 18 2023

web notizbuch fur schuler und schulerinnen zur einsch is universally compatible in the same way as any devices to read  
notizbuch msed notizbucher 2019 06 09 dot grid notizbuch perfekt für alle erstklässler egal ob als geschenk in der schultüte  
oder für die ersten mal rechnen oder schreibübungen alles ist möglich alle

*notizbuch fur schuler und schulerinnen zur einsch download* - Mar 04 2022

web notizbuch fur schuler und schulerinnen zur einsch vierteljahrs katalog der neuigkeiten des deutschen buchhandels nach  
den wissenschaften geordnet deutsches bücherverzeichnis wöc